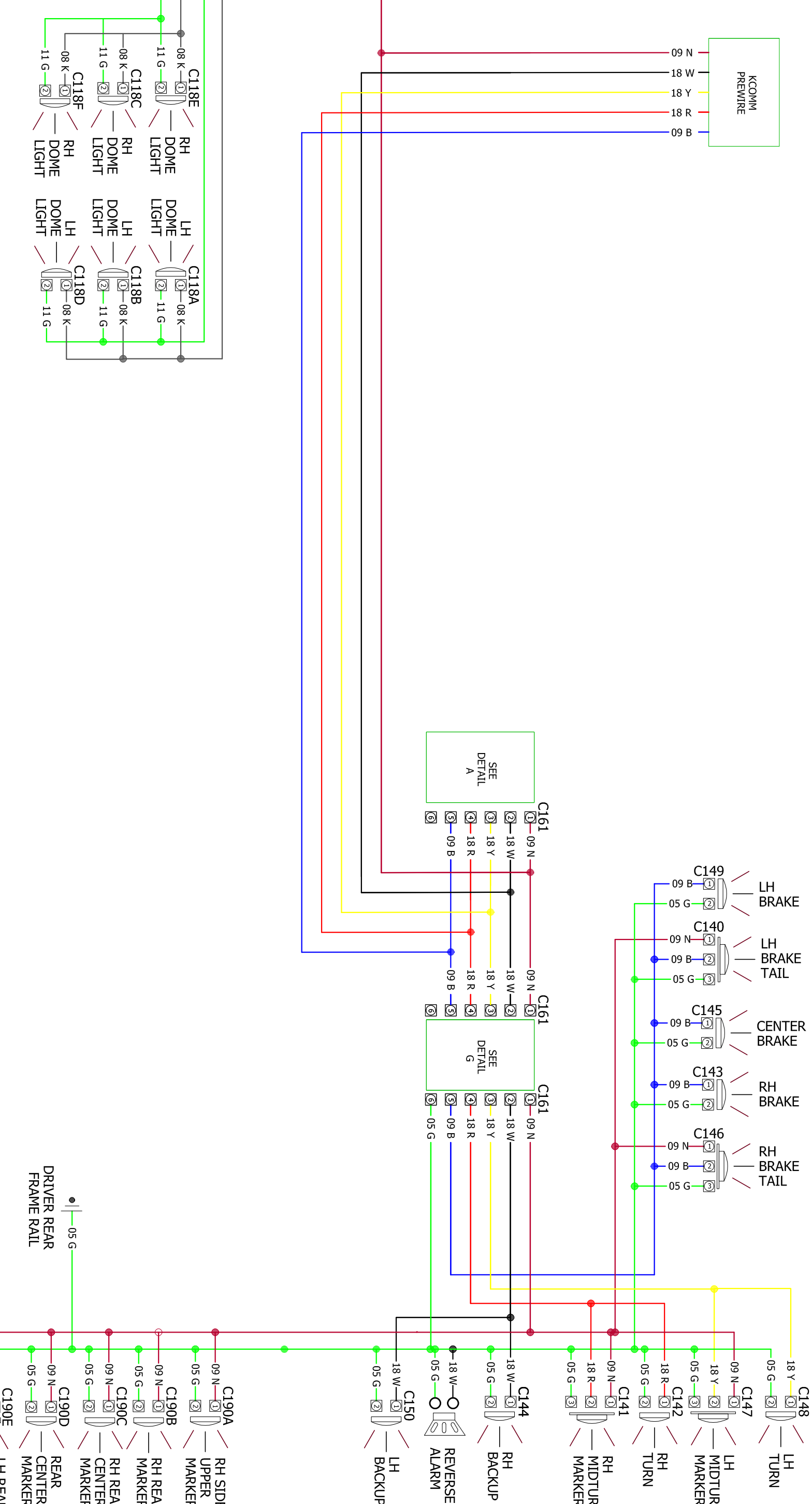
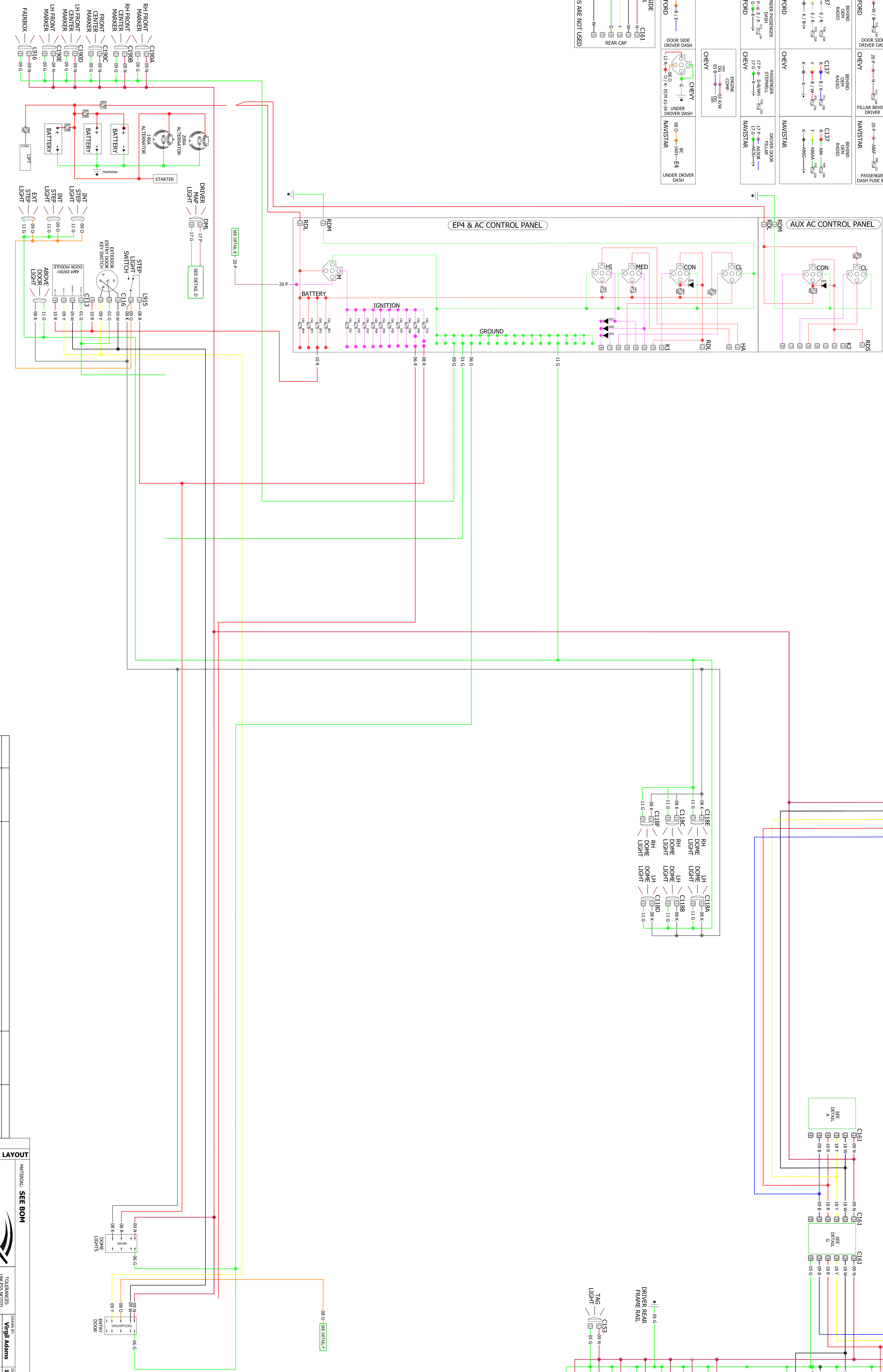


Color	Code
B	Blue
E	Grey
C	Green
T	Black
N	Brown
O	Orange
P	Purple
R	Red
Y	Yellow
W	White

Symbol	Description
(Line with diagonal slash)	Legend
(Line with arrow)	No Connection
(Line with circle)	LED
(Line with square)	Jumper
(Line with triangle)	Ground
(Line with diamond)	Connector
(Line with circle)	2 Wire Light
(Line with square)	3 Wire Light



REV	ECN	DESCRIPTION	DATE	BY

REVISION NO:	MATERIAL:	DATE:	SCALE:
	SEE BOM		

TOLEANCES	UNLESS NOTED

DESIGNED BY:	DRAWN BY:	CHECKED BY:

EP4 OVERALL LAYOUT

1 OF 1

EP4 OVERALL LAYOUT