

## *Codes, Labels and Connectors*

- Listed below are the common wire codes and stamping codes we use at ENC.

### *1) Color Codes:*

- Tan = T
- Pink = I
- Yellow = Y
- Orange = O
- Gray = E
- White = W
- Black = K
- Blue = B
- Red = R
- Purple = P
- Green = G
- Brown = N

## Stamping Codes:

AC = Air Conditioner	DN = Destination	ID = Idle	PG = Plug	TI = Timer
AJ = Ajar	DR = Door	IG = Ignition	PK = Park	TO = Toilet
AL = Alarm	DS = Disconnect	IL = Interlock	PL = Pull	TM = Transmission
AS = Accessory	DV = Driver	IN = In	PN = Panel	TN = Turn
AT = Actuator	DE = Deceleration	IM = Illumination	PS = Passenger	TP = Tap
AR = Air	EG = Energize	IS = Isolation	PW = Power	TV = Television
AX = Auxiliary	EN = Entry	IT = Interrupt	PA = Public Address	TG = Tag
AU = Auto	EX = Exit	KN = Kneeler	PR = Pressure	TX = Tag Axle
ALT = Alternator	ENG= Engine	LF = Left	PU = Pump	TE = Temperature
AM = Amber	ED = Edge	LG = Luggage	RE = Rear	TL = Telma
BK = Brake	FA = Fare	LI = Lift	RA = Radio	VL = Valve
BU = Back-up	FH = Fresh	LM = Limit	RD = Reading	VR = Vortec
BX = Box	FU = Full	LO = Low	RM = Remote	VC = Videocassette Recorder
BZ = Buzzer	FN = Fan	LT = Light	RL = Relay	VT = Volt
BR = Braun	FR = Frost	LU = Luminator	RQ = Request	VM = Vacuum
BT = Battery	FS = Fast	LV = Lavatory	RS = Reset	WC = Wheelchair
CD = Cord	FI = Fire	LTR = Lighter	RT = Right	WN = Window
CG = Cargo	FL = Flasher	MC = Micro	RG = Regulator	WP = Wiper
CN = Control	FG = Fog	MD = Medium	SA = Safety	WA = Water
CL = Close	FD = Field	MK = Marker	SG = Signal	WR = Warning
CC = Circuit	FO = Fluorescent	MR = Mirror	SL = Solenoid	WE = Well
CS = Constant	FT = Front	MS = master	SN = Sign	
CT = Clutch	FE = Fuel	MT = Mid turn	SP = Spare	
CR = Courtesy	GR = Ground	MY = Memory	SR = Sensor	
CO = Cutout	GA = Gauge	ME = Meter	ST = Starter	
CM = Compressor	GE = Generator	MA = Main	SW = Switch	
CH = Chime	GU = Guard	MO = Motor	SH = Shot	
CB = Circuit Breaker	HD = Head	NU = Neutral	SO = Stop	
CI = Cigarette	Hi = High	OF = Off	SE = Step	
DF = Defrost	HL = Hold	OH = Overhead	SV = Sensitive	
DK = Docking	HT = Heat	OP = Open	STA = Stator	
DM = Dome	HO = Hood	OI = Oil	TA = Tail	
DA = Dash	HR = Hour	OR = Override	TH = Throttle	

BLACK  
 03 K SINGLE CONDENSER  
 04 K HOOD LIGHT  
 07 K IN GEAR  
 08 K DOME LIGHT  
 09 K STOP REQUEST  
 09A K STOP REQUEST  
 11 K TAG AXLE VACUUM  
 12 K RAMP STOW  
 20 K DEFROST POWER

BLUE  
 02 B COMPRESSION AMPLIFIER  
 03 B SINGLE COMPRESSOR  
 04 B READING LIGHT  
 08 B COURTESY LIGHT  
 09 B BRAKE LIGHT  
 10 B WHEELCHAIR DOOR  
 12 B STOP REQUEST  
 15 B TRANSMISSION HOLD

BROWN  
 02 N DOOR MOTOR  
 06 N LOW AIR  
 07 N MAP LIGHT  
 09 N MARKER LIGHT  
 11 N 12V RUN  
 24 N FARE BOX

GRAY  
 01 E DASH LIGHT  
 03 E LUGGAGE DOOR AJAR  
 10 E WHEELCHAIR DOOR SOLENOID  
 14 E DESTINATION SIGN  
 14A E HOOD LIGHT  
 15 E LUGGAGE LIGHT  
 29 E DOCKING LIGHT

GREEN  
 NO STAMPING REQUIRED  
  
 HOWEVER GREEN WIRES  
 MAY BE CODED WITH THE  
 LETTER "G" AND A SUFFIX  
 TO BE CHOSEN BY  
 MANUFACTURER.

0028035

ORANGE  
 04 O HEATER #2 HIGH  
 03 O SINGLE COMPRESSOR  
 05 O HEATER VALVE  
 06 O TAG AXLE POWER  
 07 O HEATER #1 HIGH  
 08 O TRANSMISSION SWITCH  
 09 O STEP LIGHT  
 10 O WHEELCHAIR DOOR  
 10A O AJAR LIGHT  
 12 O PULL CORD  
 12A O PULL CORD  
 13 O WHEELCHAIR POWER  
 16 O VORTEC SOLENOID SIGNAL  
 18 O 7" LIGHT  
 18A O REAR 7" LIGHT  
 21 O IGNITION LOW  
 22 O IGNITION LOW

PINK  
 01 I DOOR MOTOR  
 04 I RIGHT READING LIGHT  
 07 I EXIT LIGHT  
 08 I WHEELCHAIR SWITCH  
 08A I WHEELCHAIR SWITCH  
 09 I ENTRY DOOR  
 11 I WHEELCHAIR ALARM  
 12 I BRAUN INTERLOCK SOLENOID  
 16 I ALTERNATOR IGNITION  
 23 I PULL CORD  
 23A I PULL CORD  
 24 I WINDOW AJAR

PURPLE  
 02 P AUXILIARY POWER  
 03 P DUAL COMPRESSOR  
 04 P HEATER #2 LOW  
 06 P PUBLIC ADDRESS POWER  
 07 P HEATER #1 LOW  
 09 P IGNITION SIGNAL  
 10 P IGNITION INTERLOCK POWER  
 12 P PASSENGER SIGNAL  
 13 P DRIVER DOME LIGHT  
 15 P PARK BRAKE  
 18 P 7" LIGHT  
 19 P IGNITION SIGNAL  
 20 P IGNITION SIGNAL  
 21 P DRIVER FAN  
 22 P DRIVER FAN  
 29 P TEMPERATURE ALARM  
 30 P OIL ALARM

**Eldorado National**   
 — a THOR company — 1655 WALL STREET SALINA, KS. 67401

NEXT ASSEMBLY: NONE		DRAWING INFORMATION							
SUPERCEDES: NONE		DRAWN: VARD	CKD:	D	PRH	2/12/08	ADDED 03 O	12779	TITLE:
DO NOT SCALE DRAWING		DATE: 2/8/02	SIZE: A	C	PRH	1/17/08	ADDED 03 P/K REPLACES 03 W/B	12682	WIRING STAMPING CHART
MARK PART NUMBER AND REVISION ON ALL PARTS		SCALE: NTS	WGT:	B	PRH	1/30/06	EXPANDED ABBREVIATIONS ADDED STRIPED WIRES CHANGED SOME LABELS	10704	MATERIAL SPEC:
THIS DRAWING IS THE PROPERTY OF ELDORADO NATIONAL COMPANY, A THOR INDUSTRIES COMPANY AND IS NOT TO BE DUPLICATED OR USED IN ANY WAY DETRIMENTAL TO THEIR BEST INTEREST.		TOLERANCE UNLESS SPECIFIED		A	JWW	5/7/02		06957	CHART
		FRACTIONS ± 1/16		-	JWW	2/8/02	RELEASE TO PRODUCTION	06861	PART NUMBER
		DECIMALS .00 ± .06		REV.	BY	DATE	DESCRIPTION	RELEASE #	0028035
		ANGLES + 1 DEG.							PAGE 1 OF 2

RED	TAN	WHITE	YELLOW	SPEAKERS (TAGS)	0028035
02 R DOME LIGHT POWER	03 T LUGGAGE LIGHT	01 W DRIVER FAN LOW	01 Y 12V BATTERY	28 P RIGHT REAR SPEAKER	
04 R HEATER #2 POWER	04 T LUGGAGE LIGHT SWITCH	02 W DRIVER FAN HIGH	04 Y HEATER #2 MEDIUM	28 P/K RIGHT REAR SPEAKER	
05 R LEFT READING LIGHT	05 T RUN ACCESSORIES	03 W DUAL CONDENSER	05 Y SIGN MOTOR	28 G LEFT REAR SPEAKER	
06 R VOLT METER	07 T PASSENGER SIGNAL	04 W MOTOR GROUND	07 Y HEATER #1 MEDIUM	28 G/K LEFT REAR SPEAKER	
07 R HEATER #1 POWER	08 T LIFT LIGHT	05 W OIL	09 Y DOOR OPEN	28 E RIGHT FRONT SPEAKER	
08 R RIGHT READING LIGHT	15 T TRANSMISSION ENTRY	06 W 12V STARTER	10 Y OEM COURTESY LIGHT	28 E/K RIGHT FRONT SPEAKER	
09 R DOOR POWER	25 T INTERLOCK ALARM SIGNAL	07 W TEMP	18 Y LEFT TURN SIGNAL	28 W LEFT FRONT SPEAKER	
10 R AUXILIARY DOOR POWER	27 T TELMA	09 W DOOR CLOSE	19 Y 7" LIGHT	28 W/K LEFT FRONT SPEAKER	
11 R RADIO IGNITION		11 W STOP REQUEST	19A Y FRONT 7" LIGHT	SPK5C EXTERNAL SPEAKER	
12 R RADIO BATTERY		13 W DRIVER LIGHT	20 Y FRONT FLUORESCENT	SPK5T EXTERNAL SPEAKER	
13 R DESTINATION SIGN		18 W BUZZER ALARM	21 Y MEDIUM FLUORESCENT	SPK6C REAR PUBLIC ADDRESS SPEAKER	
15 R TRANSMISSION SOLENOID POWER		25 W AIR CONDITIONER CLUTCH	22 Y REAR FLUORESCENT	SPK6T REAR PUBLIC ADDRESS SPEAKER	
18 R RIGHT TURN SIGNAL		30 W ENGINE KILL	23 Y WINDOW AJAR	SPK7C FRONT PUBLIC ADDRESS SPEAKER	
23 R PASSENGER PULL CORD		31 W ENGINE KILL	24 Y WINDOW AJAR	SPK7T FRONT PUBLIC ADDRESS SPEAKER	
23A R PASSENGER PULL CORD			25 Y BUZZER GROUND		
24 R WINDOW AJAR			26 Y IGNITION LOW		
25 R WHEELCHAIR PULL CORD			27 Y IGNITION LOW		
25A R WHEELCHAIR PULL CORD			30 Y STARTER DISABLE		
30 R RAMP DEPLOY			31 Y STARTER DISABLE		

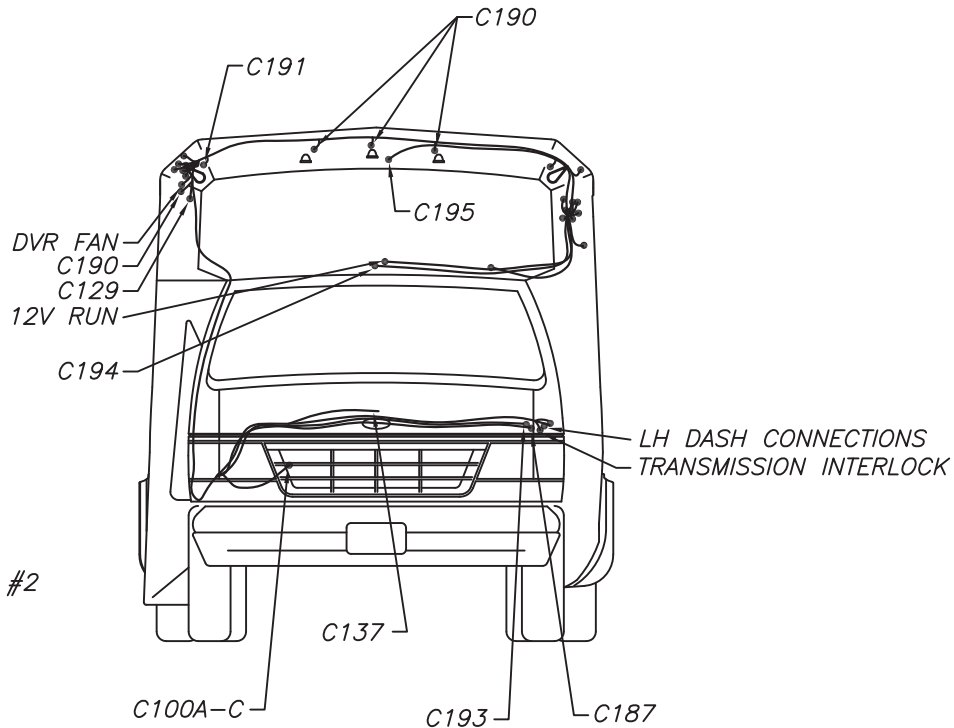
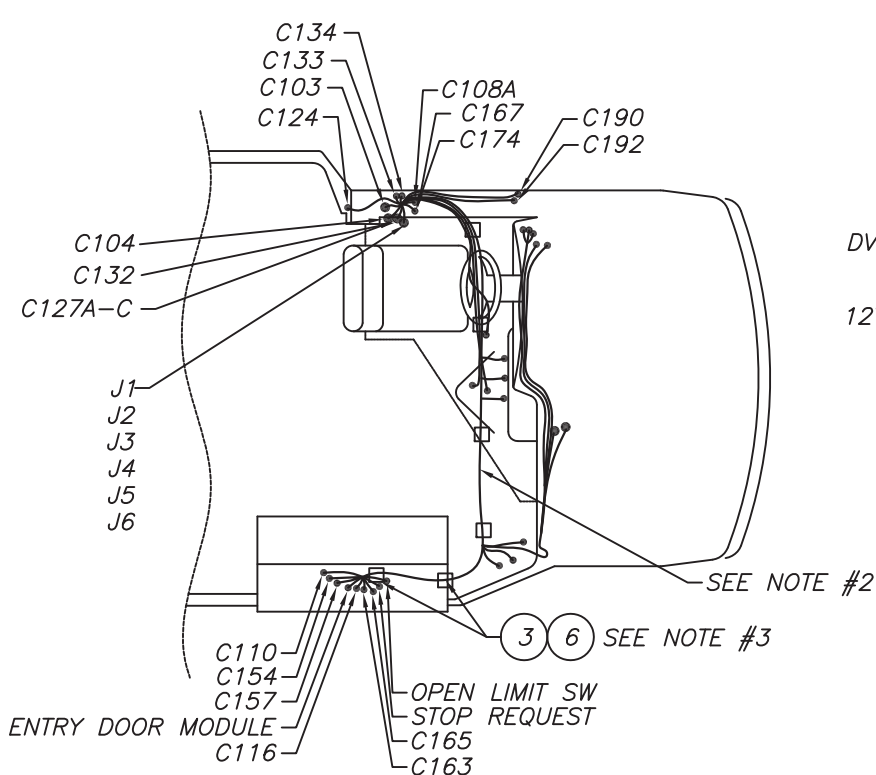
STRIPED WIRES

- 02 W/B DRIVER THERMOSTAT
- 03 K/W AC OEM THERMOSTAT
- 03 E/W DUAL AC OEM THERMOSTAT
- 03 O/W A/C FAN HI SPEED
- 03 P/K A/C FAN POWER (REPLACES 03 W/B)
- 03 R/W A/C FAN LOW SPEED
- 03 W/B A/C FAN POWER (REPLACED BY 03 P/K)
- 03 Y/W AC FAN MEDIUM SPEED

**Eldorado National** 

— a THOR company — 1655 WALL STREET  
SALINA, KS. 67401

NEXT ASSEMBLY: NONE		DRAWING INFORMATION									
SUPERCEDES: NONE		DRAWN: WARD	CKD:	D	PRH	2/12/08	ADDED 03 O	12779	TITLE: WIRING STAMPING CHART		
DO NOT SCALE DRAWING		DATE: 2/8/02	SIZE: A	C	PRH	1/17/08	ADDED 03 P/K REPLACES 03 W/B	12682	MATERIAL SPEC: CHART		
MARK PART NUMBER AND REVISION ON ALL PARTS		SCALE: NTS	WGT:	B	PRH	1/30/06	EXPANDED ABBREVIATIONS ADDED STRIPED WIRES CHANGED SOME LABELS	10704	PART NUMBER 0028035		
THIS DRAWING IS THE PROPERTY OF ELDORADO NATIONAL COMPANY, A THOR INDUSTRIES COMPANY AND IS NOT TO BE DUPLICATED OR USED IN ANY WAY DETRIMENTAL TO THEIR BEST INTEREST.		TOLERANCE UNLESS SPECIFIED			A	JWW	5/7/02	06957	PAGE 2 OF 2		
		FRACTIONS ± 1/16 DECIMALS .00 ± .06 ANGLES + 1 DEG.			-	JWW	2/8/02	RELEASE TO PRODUCTION	06861		
		REV. BY DATE					DESCRIPTION	RELEASE #			



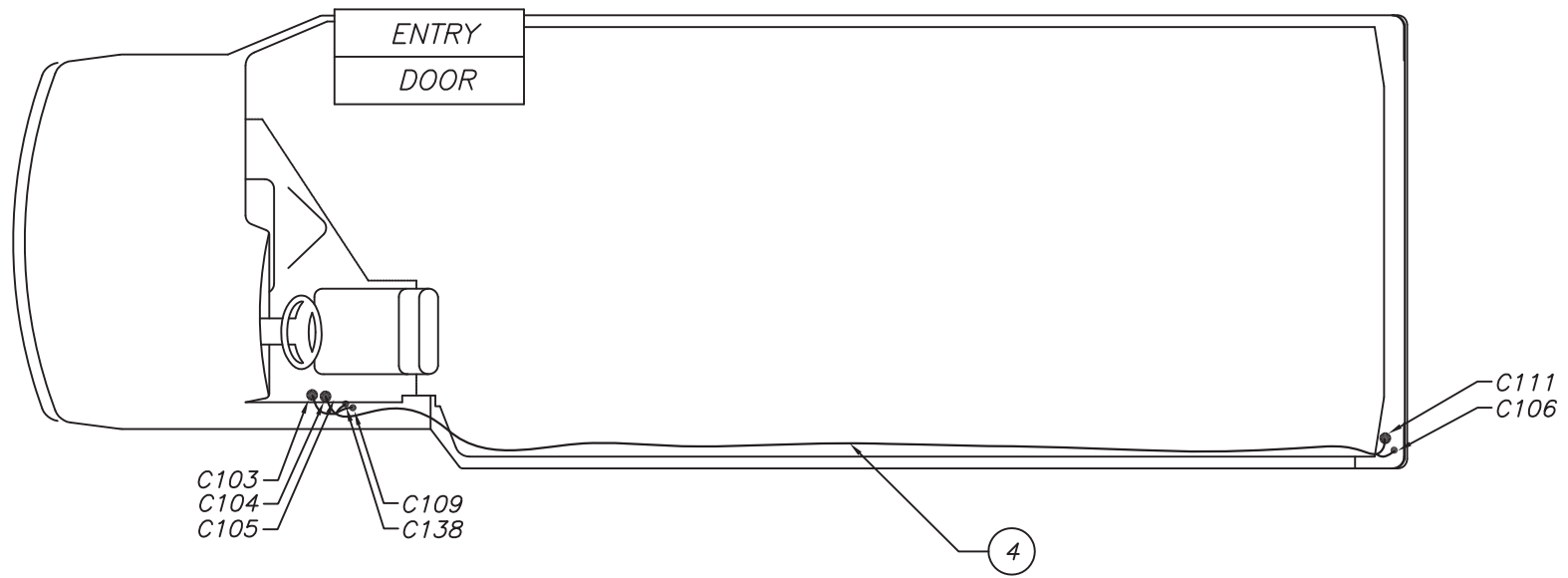
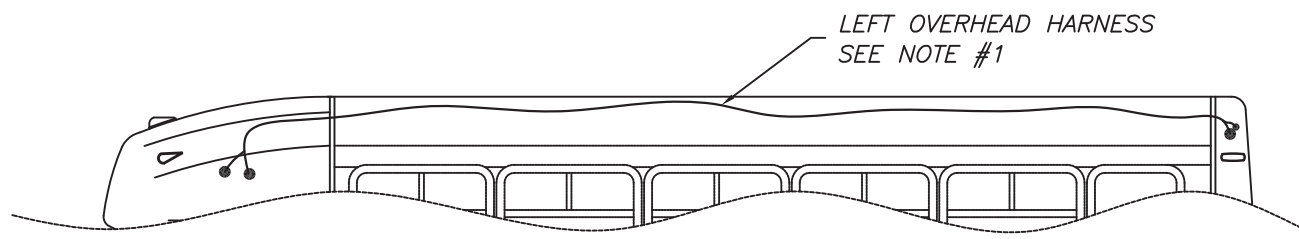
NOTES:

- 1) GROUNDS ARE ATTACHED TO GROUND DISTRIBUTION POST ON ELECTRICAL CENTER.
- 2) SECURE HARNESS USING BOM 2 & 3 ACROSS THE TOP OF THE CAP AND TO THE FRAME EVERY 16" DOWN THE A-PILLAR, AND ON THE FLOOR.
- 3) HARNESS SECURED TO 3" X 3" WOOD BLOCK USING BOM 3 & 6 ABOVE ENTRY DOOR.

NEXT ASSEMBLY: NONE	DRAWING INFORMATION	E	PRH	12/18/07	REDRAW PRINT AS SCHEDULED ASSEMBLY UPDATE TITLE	12583
SUPERCEDES: NONE	DRAWN:HENDRICKSON CKD:	D	PRH	6/15/06	UPDATE TITLE	11038
DO NOT SCALE DRAWING	DATE: 12/21/05 SIZE:A	C	PRH	5/30/06	BOM 4 WAS 0029651-1, BOM 8 WAS 0029186-1, DEL BOM 5	10886
MARK PART NUMBER AND REVISION ON ALL PARTS	SCALE: 1/24 WGT:	B	JWW	4/19/06	REMOVED 0030577-06 FROM PRINT & ADDED BOM 7	10942
THIS DRAWING IS THE PROPERTY OF EL Dorado NATIONAL COMPANY, A THOR INDUSTRIES COMPANY AND IS NOT TO BE DUPLICATED OR USED IN ANY WAY DETRIMENTAL TO THEIR BEST INTEREST. REV. 02/02	TOLERANCE UNLESS SPECIFIED FRACTIONS ± 1/16 DECIMALS .00 ± .06 ANGLES + 1 DEG.	A	PRH	2/15/06	CHG NAME FROM ELEC ASM DEL ITEMS NOT FOR BUS START	10725
		-	PRH	12/21/05	RELEASE TO PRODUCTION	09661
		REV.	BY	DATE	DESCRIPTION	RELEASE #

**Eldorado National**   
 — a THOR company — 1655 WALL STREET SALINA, KS. 67401

TITLE: HARNESS ASM, AERO (LENGTH) EP2 BILL OF MATERIALS BUS START	PART NUMBER 0030581-SCHEDULE	PAGE 5 of 5
---	---------------------------------	----------------



NOTES:

1) BOM 2 & 3 USE EVERY 16" TO SECURE HARNESS TO UPPER RADIUS TOGETHER WITH LH DOME HARNESS.

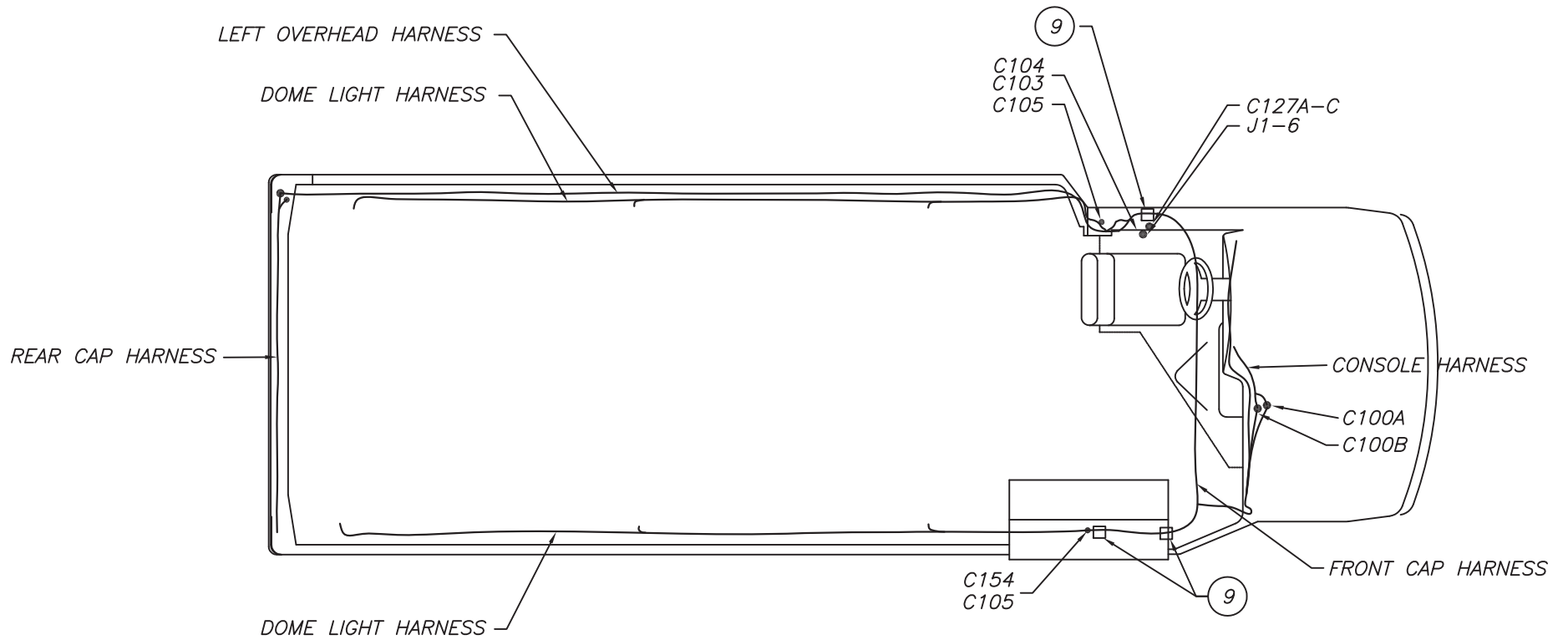
**Eldorado National** 

— a THOR company — 1655 WALL STREET  
SALINA, KS. 67401

NEXT ASSEMBLY: NONE	DRAWING INFORMATION	E	PRH	12/18/07	REDRAW PRINT AS SCHEDULED ASSEMBLY UPDATE TITLE	12583
SUPERCEDES: NONE	DRAWN:HENDRICKSON CKD:	D	PRH	6/15/06	UPDATE TITLE	11038
DO NOT SCALE DRAWING	DATE: 12/21/05 SIZE:A	C	PRH	5/30/06	BOM 4 WAS 0029651-1, BOM 8 WAS 0029186-1, DEL BOM 5	10886
MARK PART NUMBER AND REVISION ON ALL PARTS	SCALE: 1/24 WGT:	B	JWW	4/19/06	REMOVED 0030577-06 FROM PRINT & ADDED BOM 7	10942
THIS DRAWING IS THE PROPERTY OF ELDERADO NATIONAL COMPANY, A THOR INDUSTRIES COMPANY AND IS NOT TO BE DUPLICATED OR USED IN ANY WAY DETRIMENTAL TO THEIR BEST INTEREST. REV. 02/02	TOLERANCE UNLESS SPECIFIED FRACTIONS ± 1/16 DECIMALS .00 ± .06 ANGLES + 1 DEG.	A	PRH	2/15/06	CHG NAME FROM ELEC ASM DEL ITEMS NOT FOR BUS START	10725
		-	PRH	12/21/05	RELEASE TO PRODUCTION	09661
		REV.	BY	DATE	DESCRIPTION	RELEASE #

TITLE: HARNESS ASM, AERO (LENGTH) EP2 BILL OF MATERIALS BUS START	MATERIAL SPEC: REFER TO B.O.M.
PART NUMBER <b>0030581-SCHEDULE</b>	PAGE 4 of 5





NOTES:

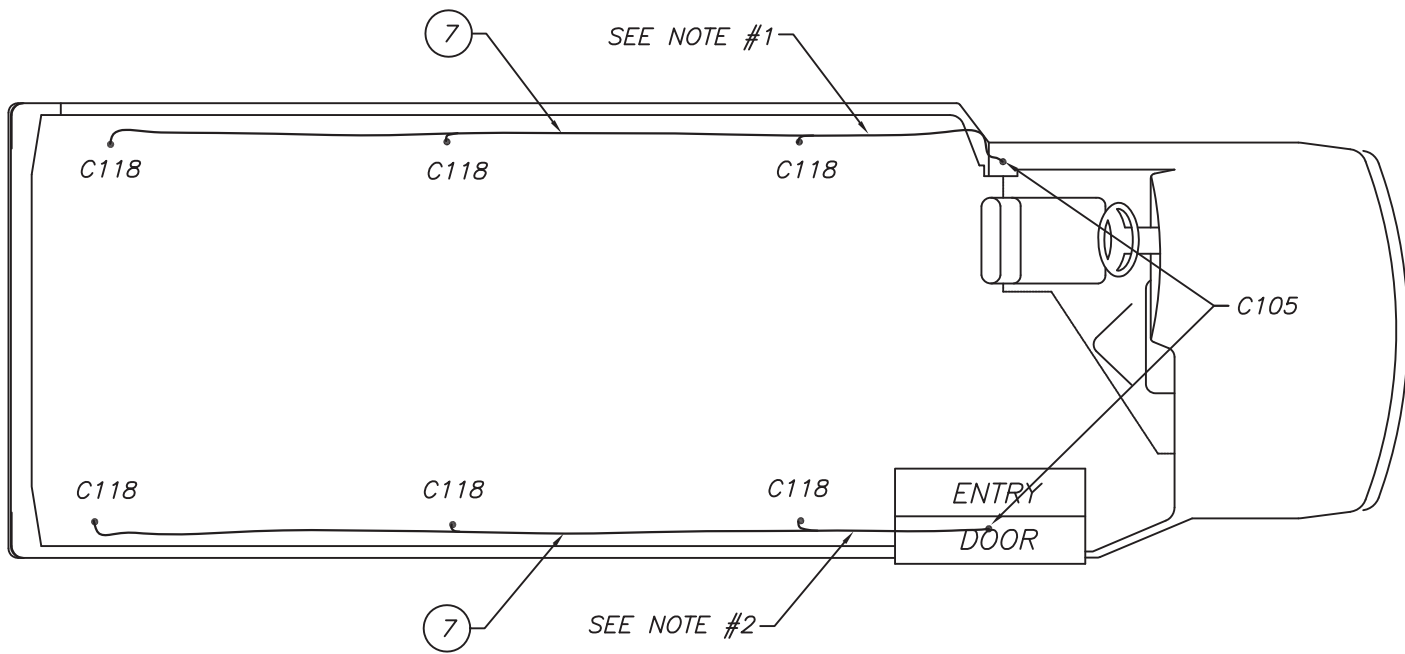
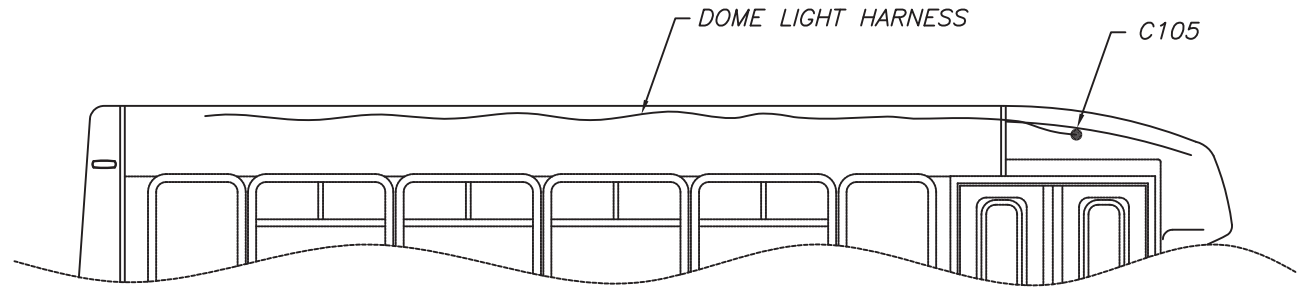
1) 3" X 3" WOOD BLOCKS (BOM 9) ADHERED TO BODY USING BOM 10 & 11.

**Eldorado National** 

— a THOR company — 1655 WALL STREET  
SALINA, KS. 67401

NEXT ASSEMBLY: NONE	DRAWING INFORMATION	E	PRH	12/18/07	REDRAW PRINT AS SCHEDULED ASSEMBLY, UPDATE TITLE	12583	TITLE: HARNESS ASM, AERO (LENGTH) EP2 BILL OF MATERIALS BUS START  MATERIAL SPEC: REFER TO B.O.M.  PART NUMBER <b>0030581-SCHEDULE</b>	PAGE <b>2 of 5</b>
SUPERCEDES: NONE	DRAWN: HENDRICKSON CKD:	D	PRH	6/15/06	UPDATE TITLE	11038		
DO NOT SCALE DRAWING	DATE: 12/21/05 SIZE: A	C	PRH	5/30/06	BOM 4 WAS 0029651-1, BOM 8 WAS 0029186-1, DEL BOM 5	10886		
MARK PART NUMBER AND REVISION ON ALL PARTS	SCALE: 1/24 WGT:	B	JWW	4/19/06	REMOVED 0030577-06 FROM PRINT & ADDED BOM 7	10942		
THIS DRAWING IS THE PROPERTY OF EL Dorado NATIONAL COMPANY, A THOR INDUSTRIES COMPANY AND IS NOT TO BE DUPLICATED OR USED IN ANY WAY DETRIMENTAL TO THEIR BEST INTEREST.  REV. 02/02	TOLERANCE UNLESS SPECIFIED	A	PRH	2/15/06	CHG NAME FROM ELEC ASM DEL ITEMS NOT FOR BUS START	10725		
	FRACTIONS ± 1/16 DECIMALS .00 ± .06 ANGLES + 1 DEG.	-	PRH	12/21/05	RELEASE TO PRODUCTION	09661		
		REV.	BY	DATE	DESCRIPTION	RELEASE #		





NOTES:

- 1) LH SIDE: BOM 2 & 3 USED EVERY 16" TO SECURE HARNESS TO UPPER RADIUS TOGETHER WITH LEFT OVERHEAD HARNESS. (HARNESS PLUGS DIRECTLY INTO ELECTRICAL CENTER INSTALLED IN A8)
- 2) RH SIDE: BOM 1 & 3 USED EVERY 16" TO SECURE HARNESS TO UPPER RADIUS.

**Eldorado National** 

— a THOR company — 1655 WALL STREET  
SALINA, KS. 67401

NEXT ASSEMBLY: NONE	DRAWING INFORMATION	E	PRH	12/18/07	REDRAW PRINT AS SCHEDULED ASSEMBLY UPDATE TITLE	12583
SUPERCEDES: NONE	DRAWN: HENDRICKSON CKD:	D	PRH	6/15/06	UPDATE TITLE	11038
DO NOT SCALE DRAWING	DATE: 12/21/05 SIZE: A	C	PRH	5/30/06	BOM 4 WAS 0029651-1, BOM 8 WAS 0029186-1, DEL BOM 5	10886
MARK PART NUMBER AND REVISION ON ALL PARTS	SCALE: 1/24 WGT:	B	JWW	4/19/06	REMOVED 0030577-06 FROM PRINT & ADDED BOM 7	10942
THIS DRAWING IS THE PROPERTY OF EL Dorado NATIONAL COMPANY, A THOR INDUSTRIES COMPANY AND IS NOT TO BE DUPLICATED OR USED IN ANY WAY DETRIMENTAL TO THEIR BEST INTEREST. REV. 02/02	TOLERANCE UNLESS SPECIFIED	A	PRH	2/15/06	CHG NAME FROM ELEC ASM DEL ITEMS NOT FOR BUS START	10725
	FRACTIONS ± 1/16	-	PRH	12/21/05	RELEASE TO PRODUCTION	09661
	DECIMALS .00 ± .06	REV.	BY	DATE	DESCRIPTION	RELEASE #
	ANGLES + 1 DEG.					

TITLE: HARNESS ASM, AERO (LENGTH) EP2 BILL OF MATERIALS BUS START	MATERIAL SPEC: REFER TO B.O.M.
PART NUMBER <b>0030581-SCHEDULE</b>	PAGE <b>3 of 5</b>

<i>Conn</i>	<i>Function</i>	<i>Harness</i>	<i>Location</i>
C100	Console	Front Floor	right side of engine access cover
C100A	Console	Front Floor	right side of engine access cover
C100B	Console	Front Floor	right side of engine access cover
C100C	Console	Front Floor	right side of engine access cover
C101	Entry Feed	Front Floor	behind electrical center panel
C102	Front Cap	Front Floor	behind electrical center panel
C103	RH O/H	Front Floor	behind electrical center panel
C104	RH O/H	Front Floor	behind electrical center panel
C105	LH Dome Lights	Left Overhead	above entry door behind cover
C106	Rear cap	RH O/H	passenger side rear corner
C107	Htr. #1	RH O/H	behind electrical center panel
C108	Htr. #2	Front Floor	behind electrical center panel
C109	LH Int. Lights	RH O/H	above entry door behind cover
C110	RH Int Lights	RH O/H	above entry door behind cover
C111	Rear cap	RH O/H	passenger side rear corner
C112	Tag Axle	Rear Cap	driver side rear corner
C113	Electric Door Mtr.	Entry Door	above entry door behind cover
C114	Floor Courtesy Lights	RH O/H	above entry door behind cover
C115	Restroom	Rear Cap	driver side rear corner
C116	Rmt. Entry Door	Entry Feed	above entry door behind cover
C117	RH/LH Reading Lights	Int. Lt.	above entry door behind cover
C118	RH/LH Dome Lights	Int. Lt.	above entry door behind cover
C119	I/P	Rear Evapo AE	behind driver switch panel
C120	Engine Alarm	Front Floor & I/P AE	behind driver switch panel
C121	Top Relay Row	Front Cap	on main electrical panel
C122	Entry Door	Front Floor AEN	above entry door behind cover
C123	I/P to RH O/H	I/P AE	behind driver switch panel
C124	Left Front Speaker	Front Cap	driver side wing panel

<i>Conn</i>	<i>Function</i>	<i>Harness</i>	<i>Location</i>
C125	Trans Interlock	Front Floor (Not AT/AL)	not used
C126	Trans Interlock	Front Floor	not used
C127	Fuse Block	Front Cap	above driver wing pad
C128	Fuse Block	Front Cap	above driver wing pad
C129	Right Front Speaker	Front Cap	right side top of front cap
C130	Sensitive Edge	Entry Door	above entry door behind cover
C131	Park Brake/Low Air	Front Floor / I/P AE	center dash behind radio
C132	Rear Door Ajar	Front Floor	center rear of rear cap
C133	Window Ajar	Front Floor / I/P AE	behind electrical center panel
C134	Pass Pull Cord	Front Floor / I/P AE	behind electrical center panel
C135	WC Pull Cord	Front Floor / I/P AE	behind electrical center panel
C136	EN DR AR VL		not used
C137	Radio	Front Floor	center dash behind radio
C138	LH Exit Lights	Left Overhead	driver side rear corner
C139	Ramp	Entry Feed - AA	behind electrical center panel
C140	RH Brake & Tail	Rear Cap	passenger side rear middle
C141	RH Mid Turn/Marker	Rear Cap	passenger side rear middle
C142	RH Turn	Rear Cap	passenger side rear middle
C143	RH Brake & Tail	Rear Cap	passenger side rear middle
C144	RH Back-up	Rear Cap	passenger side rear middle
C145	CTR Brake	Rear Cap	top center rear
C146	LH Brake & Tail	Rear Cap	passenger side left middle
C147	LH Mid Turn/Marker	Rear Cap	passenger side left middle
C148	LH Turn	Rear Cap	passenger side left middle
C149	LH Brake & Tail	Rear Cap	passenger side left middle
C150	LH Back-up	Rear Cap	passenger side left middle
C151	RH Pwr.	Rear Cap	not used
C152	LH Pwr.	Rear Cap	not used

<b>Conn</b>	<b>Function</b>	<b>Harness</b>	<b>Location</b>
C153	Tag Light	Rear Cap	driver side bottom rear corner
C154	RH Dome Lights	Front Cap	above entry door behind cover
C155	Rear Brake	Front Floor	behind electrical center panel
C156	Engine & STR Kill	Front Floor	behind electrical center panel
C157	RH Exit Lights	Front Cap	above entry door behind cover
C158	Right Rear Speaker	Rear Cap	passenger side rear corner
C159	Left Rear Speaker	Rear Cap	driver side rear corner
C160	Tow Plug	Rear Cap	driver side bottom rear corner
C161	Ford Connector	Rear Cap	driver side bottom rear corner
C162	Entry Door	Entry Feed	above entry door behind cover
C163	Lift Door	Entry Feed	above entry door behind cover
C164	I/P	Entry Feed AE	behind driver switch panel
C165	Step Well Light	Entry Feed	below entry door sides
C166	Tag Light	Rear Cap	driver side bottom rear corner
C167	Engine & STR Kill	Front Floor	behind electrical center panel
C168	Farebox	Front Floor	behind electrical center panel
C169	Reverse Alarm	Rear Cap	driver side bottom rear corner
C170	Rear Door Switch	Rear Cap	Center top of rear cap
C171	Grounds	Rear Cap	driver side bottom rear corner
C172	RH Rear 7" Light	Rear Cap	passenger side top rear corner
C173	LH Rear 7" Light	Rear Cap	driver side top rear corner
C174	Grounds	Front Cap	above entry door behind cover
C175	RH Pass Pull Cord	Rear Cap	passenger side rear corner
C176	LH Pass Pull Cord	Rear Cap	driver side rear corner
C178	PA/Radio	Front Floor	behind electrical center panel
C180	RH WC Pull Cord	Rear Cap	passenger side rear corner
C181	LH WC Pull Cord	Rear Cap	driver side rear corner
C188	Ign. Sol	Front Floor	behind electrical center panel
C189	Rear WDO Exit Light	Rear Cap	Center top of rear cap
C190	Marker Light	Front & Rear Caps	top of rear cap
C191	RH Front 7" Light	Front Cap	passenger side top front corner

<b>Conn</b>	<b>Function</b>	<b>Harness</b>	<b>Location</b>
C192	LH Front 7" Light	Front Cap	driver side top front corner
C194	Dest. Sign	Front Cap	driver side top front corner
C195	Stop Reg. Sign	Front Cap	driver side top front corner
C196	RH Window Ajar	Rear Cap	passenger side rear corner
C197	I/P	Front Cap AE	behind electrical center panel
C198	LH Window Ajar	Rear Cap	driver side rear corner
C199	Rear Window Ajar	Rear Cap	Center top of rear cap
C200	Rear Luggage Light	Rear Cap	Center top of rear cap