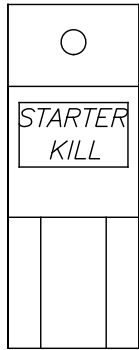
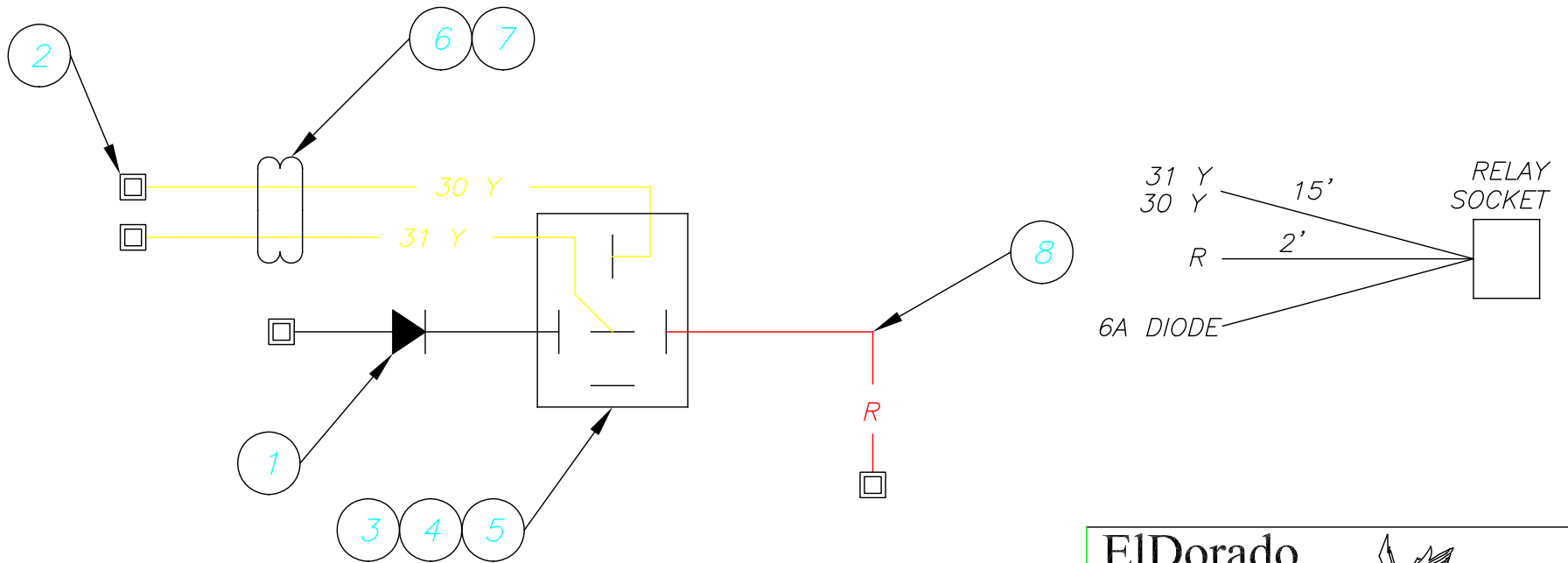


RELAY LABEL

0030618-1



| ITEM | QTY. | PART NO. | DESCRIPTION                     |
|------|------|----------|---------------------------------|
| 1    | 1    | 60800    | DIODE, 6A RECTIFIER             |
| 2    | 4    | 62041    | CONN, FEMALE PUSHON 14-16 AWG R |
| 3    | 1    | 68323    | RELAY, 12VDC SPDT W/MOUNT       |
| 4    | 1    | 69860    | CONN, AMP RELAY SOCKET          |
| 5    | 4    | 68467    | TERM, AMP 14-16 AWG RELAY CONN  |
| 6    | 15   | 69850    | FLEXLOOM, 1/4" SLIT             |
| 7    | 30   | 69015    | WIRE,GXL 14 AWG YELLOW          |
| 8    | 2    | 69065    | WIRE, GXL 14 AWG RED            |



**Eldorado National**   
 — a THOR company — 1655 WALL STREET  
 SALINA, KS. 67401

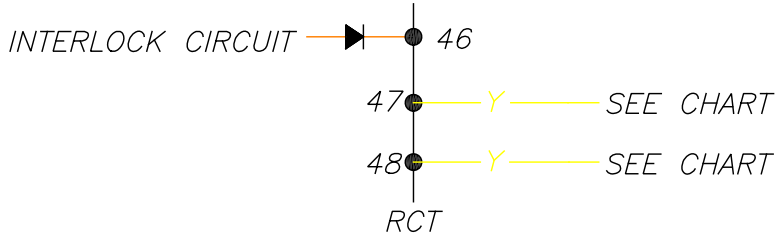
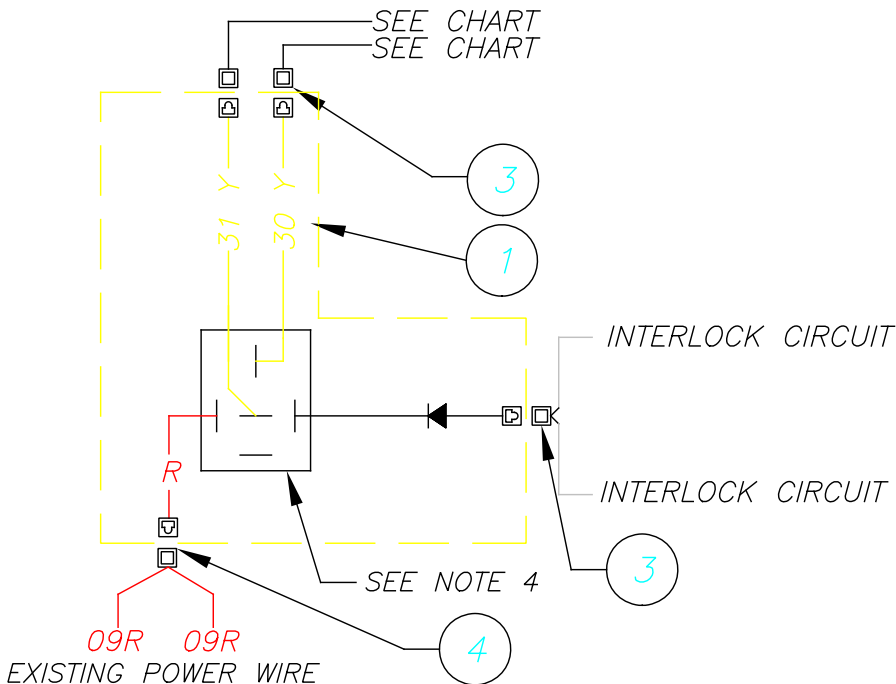
|   |                            |           |      |             |           |
|---|----------------------------|-----------|------|-------------|-----------|
| NEXT ASSEMBLY: NONE   | DRAWING INFORMATION        |           |      |             |           |
| SUPERCEDES: NONE  | DRAWN: HOMAN               | CKD:      |      |             |           |
| DO NOT SCALE DRAWING  | DATE: 12/29/05             | SIZE: A   |      |             |           |
| MARK PART NUMBER AND REVISION ON ALL PARTS  | SCALE: NTS                 | WGT:      |      |             |           |
| THIS DRAWING IS THE PROPERTY OF ELDORADO NATIONAL COMPANY, A THOR INDUSTRIES COMPANY AND IS NOT TO BE DUPLICATED OR USED IN ANY WAY DETRIMENTAL TO THEIR BEST INTEREST.<br>REV. 02/02 | TOLERANCE UNLESS SPECIFIED |           | A    | PEH         | 1/20/06   |
|   | FRACTIONS                  | ± 1/16    | -    | PEH         | 12/29/05  |
|   | DECIMALS                   | .00 ± .06 |      |             |           |
|   | ANGLES                     | + 1 DEG.  |      |             |           |
|   | REV.                       | BY        | DATE | DESCRIPTION | RELEASE # |

|  |
|--|
| TITLE:<br>HARNESS, STARTER KILL AT/AL/TT |
| MATERIAL SPEC:<br>SEE BOM                |
| PART NUMBER<br>0030618-1                 |
| PAGE<br>1 OF 1                           |

NS

| ITEM | QTY. | PART NO.  | DESCRIPTION                            |
|------|------|-----------|--|
| 1    | 1    | 0030618-1 | HARNESS, STARTER KILL AT/AL/TT         |
| 2    | 1    | 116920    | SCREW, TEK #8 X 1/2" PH PHIL           |
| 3    | 3    | 62043-1   | TERM, MALE PUSH ON 14-16 AWG ENC LOOSE |
| 4    | 1    | 62560     | CONN, MALE PUSH ON 10-12 AWG ENC LOOSE |

CIRCUIT TO INTERLOCK:  
 ANYTHING WITH A GROUND SIGNAL MAY BE INTERLOCKED  
 10 O - WHEEL CHAIR DOOR  
 03 E - REAR DOOR/LUGGAGE DOOR



FORD  
 E-SERIES  
 GAS & DSL  
 ENGINE COMP  
 BESIDE POWER  
 DISTRIBUTION CENTER  
 WIRE - FORD T/R

F550  
 GAS & DSL  
 IGNITION SWITCH  
 CONNECTOR BELOW  
 STEERING COLUMN  
 WIRE - FORD B/W

CHEVY  
 GAS & DSL  
 BEHIND KEY SWITCH  
 WIRE - CHEVY YELLOW  
 CRANK SIGNAL

AEN  
 NAVISTAR DASH  
 BEHIND KEY SWITCH  
 WIRE - PINK A17 18AWG  
 CRANK SIGNAL

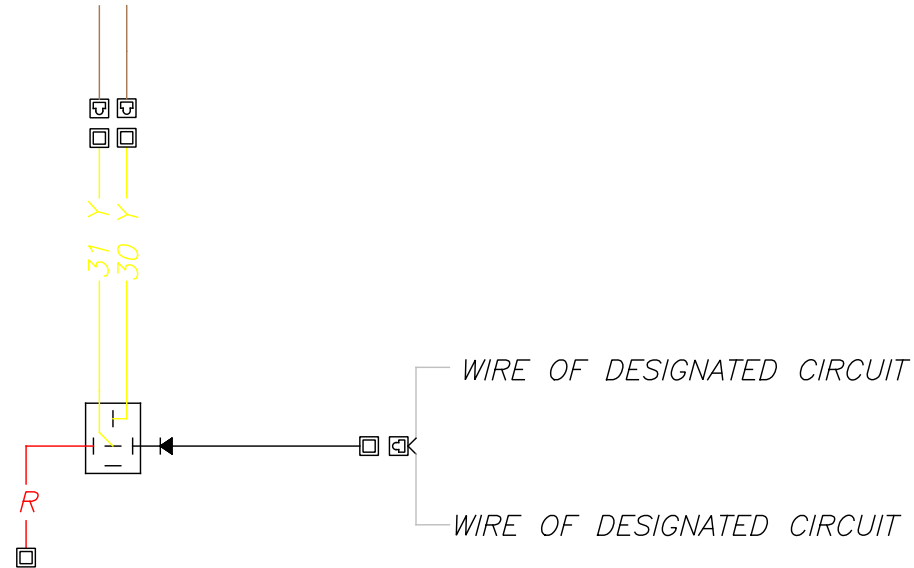
- NOTES:
1. NS- NOT SHOWN
  2. LOCATE RELAY IN ELECTRICAL CENTER PANEL, SECURE WITH BOM #2
  3. IF BUS HAS RCT PANEL USE RCT DETAIL ABOVE.
  4. IF RCT TERMINALS ARE ALREADY USED THEN USE RELAY.

**ElDorado National**   
 — a THOR company — 1655 WALL STREET SALINA, KS. 67401

| NEXT ASSEMBLY: NONE   | DRAWING INFORMATION        |                    |      |     |          |                                    |
|---|----------------------------|--------------------|------|-----|----------|------------------------------------|
| SUPERCEDES: NONE  | DRAWN: HOMAN               | CKD:               | D    | RLH | 09/05/12 | ADDED F550 WIRING                  |
| DO NOT SCALE DRAWING  | DATE: 12/29/05             | SIZE: A            | C    | PEH | 2/12/07  | UPDATED PRINT                      |
| MARK PART NUMBER AND REVISION ON ALL PARTS  | SCALE: NTS                 | WGT:               | B    | PEH | 3/7/06   | CHANGED TO UNIVERSAL               |
| THIS DRAWING IS THE PROPERTY OF ELDORADO NATIONAL COMPANY, A THOR INDUSTRIES COMPANY AND IS NOT TO BE DUPLICATED OR USED IN ANY WAY DETRIMENTAL TO THEIR BEST INTEREST.<br>REV. 02/02 | TOLERANCE UNLESS SPECIFIED |                    | A    | PEH | 1/20/06  | PUT POWER ON RELAY GROUNDED SWITCH |
|   | FRACTIONS ± 1/16           | DECIMALS .00 ± .06 | -    | PEH | 12/29/05 | RELEASE TO PRODUCTION              |
|   | ANGLES + 1 DEG.            |                    | REV. | BY  | DATE     | DESCRIPTION                        |
|   |                            |                    |      |     |          | RELEASE #                          |

|                                  |       |
|----------------------------------|-------|
| TITLE:<br>STARTER KILL ALL UNITS | 17468 |
| MATERIAL SPEC:<br>SEE BOM        | 11645 |
| PART NUMBER<br>0030618           | 10791 |
| PAGE<br>1 OF 1                   | 10671 |
|                                  | 10554 |

| ITEM | QTY. | PART NO. | DESCRIPTION             |
|------|------|----------|-------------------------|
| 1    | 1    | 0030618  | STARTER KILL, ALL UNITS |



**Eldorado National**   
 — a THOR company — 1655 WALL STREET  
 SALINA, KS. 67401

|   |                            |           |      |     |          |                                 |           |             |                |                         |
|---|----------------------------|-----------|------|-----|----------|---------------------------------|-----------|-------------|----------------|-------------------------|
| NEXT ASSEMBLY: NONE   | DRAWING INFORMATION        |           |      |     |          |                                 |           |             |                |                         |
| SUPERCEDES: NONE  | DRAWN: HOMAN               | CKD:      |      |     |          |                                 |           |             | TITLE:         | STARTER KILL, ALL UNITS |
| DO NOT SCALE DRAWING  | DATE: 12/29/05             | SIZE: A   |      |     |          |                                 |           |             | MATERIAL SPEC: | SEE BOM                 |
| MARK PART NUMBER AND REVISION ON ALL PARTS  | SCALE: NTS                 | WGT:      |      |     |          |                                 |           |             |                |                         |
| THIS DRAWING IS THE PROPERTY OF ELDORADO NATIONAL COMPANY, A THOR INDUSTRIES COMPANY AND IS NOT TO BE DUPLICATED OR USED IN ANY WAY DETRIMENTAL TO THEIR BEST INTEREST.<br>REV. 02/02 | TOLERANCE UNLESS SPECIFIED |           | A    | PEH | 2/12/07  | UPDATED PRINT<br>MAKE UNIVERSAL | 11645     |             |                |                         |
|   | FRACTIONS                  | ± 1/16    | -    | PEH | 12/29/05 | RELEASE TO PRODUCTION           | 10554     | PART NUMBER | 2312000F       | PAGE                    |
|   | DECIMALS                   | .00 ± .06 | REV. | BY  | DATE     | DESCRIPTION                     | RELEASE # |             |                | 1 OF 1                  |
|   | ANGLES                     | + 1 DEG.  |      |     |          |                                 |           |             |                |                         |