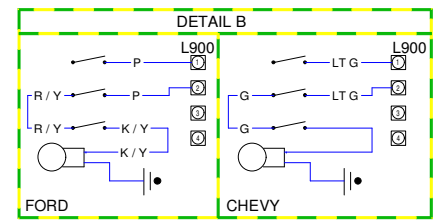
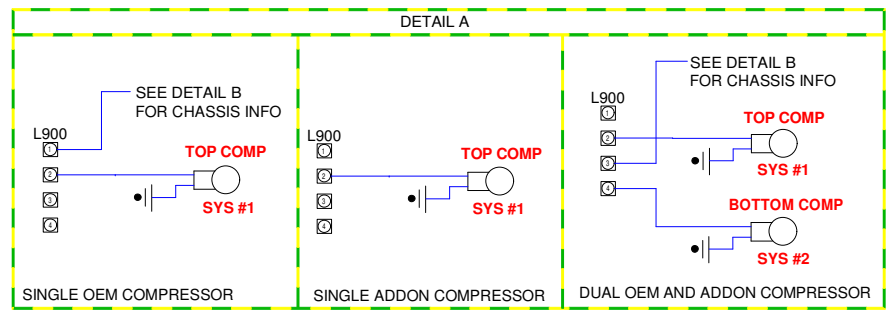


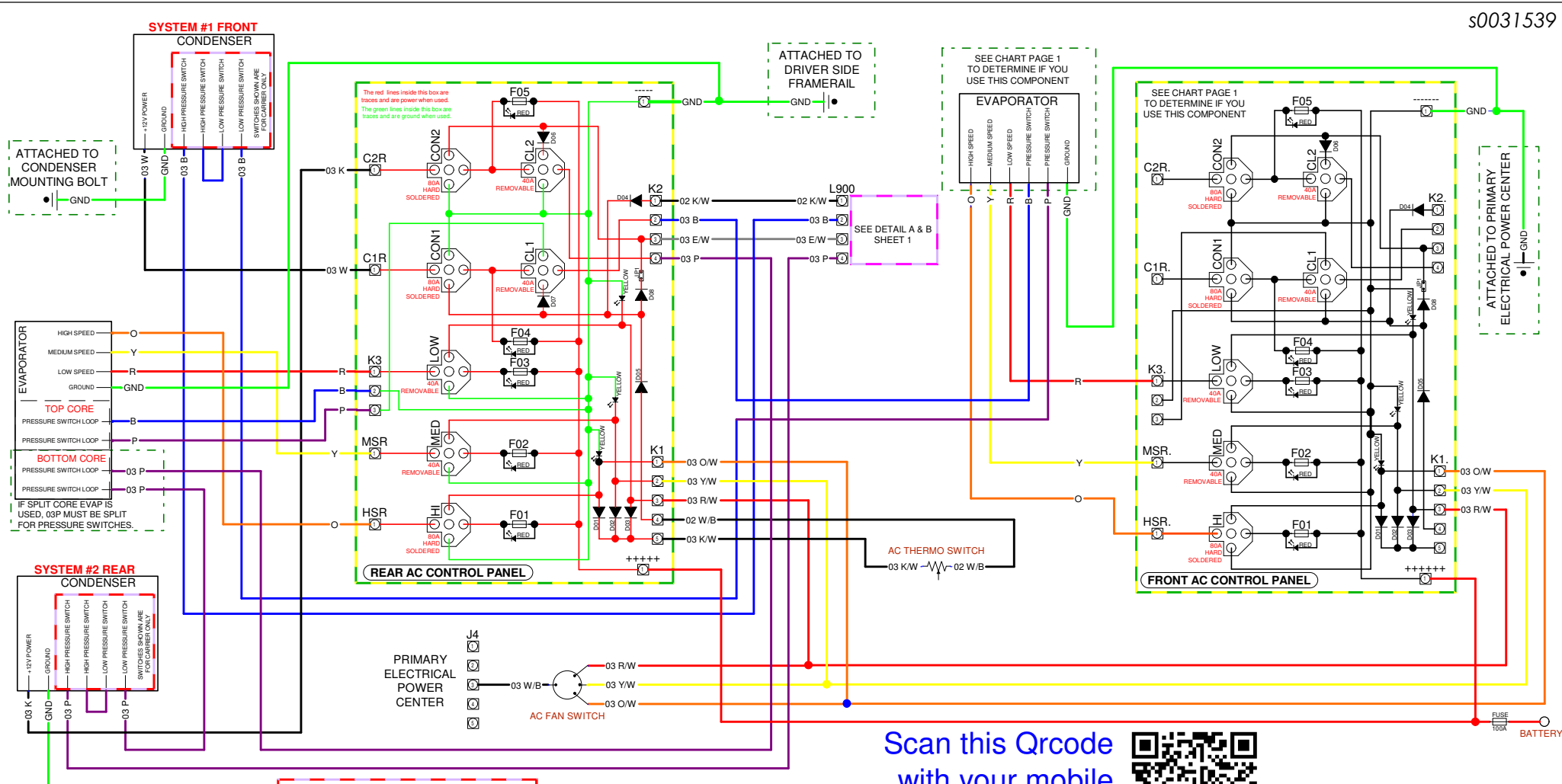
s0031539

Carrier	Tie	Max	Rear Evap	Front Evap	Front Cond	Rear Cond	Addon Comp	Oem Comp	Fuses	R-High	R-Med	R-Low	Cond 1	Cond 2	Batt	F-High	F-Med	F-Low	Panel	Rear	Front
340	X		EM6					OEM		40	20	20	40		90					0031539-4	
442	X		EM2		CM2			OEM		40	20	20	40		90					0031539-4	
552	X		EM1		CM2			OEM		40	20	20	40		90					0031539-4	
553	X		EM1		CM3			OEM		40	20	20	40		90					0031539-4	
442		X	EM2		CM2		TM-16			40	20	20	40		90					0031539-4	
553		X	EM1		CM3		TM-16			40	20	20	40		90					0031539-4	
663		X	EM3		CM3		TM-16/21			60	40	20	40		90					0031539-1	
863		X	EM3		CM3	CM3	TM-16/21	OEM		60	40	20	40	40	90					0031539	
8623		X	EM3		CM2	CM3	TM-16/21	OEM		60	40	20	40	40	90					0031539	
9623		X	EM1	EM6	CM2	CM3	TM-16/21/31	OEM		60	40	20	40	40	90	40	20	20		0031539	0031539-5
9633		X	EM3	EM6	CM3	CM3	TM-16/21/31	OEM		60	40	20	40	40	90	40	20	20		0031539	0031539-5
IW-1		X	IW-1		CM3		TM-16	OEM		40	20	20	40		90					0031539-4	
ACT	Tie	Max	Rear Evap	Front Evap	Front Cond	Rear Cond	Addon Comp	Oem Comp		High	Med	Low	Cond 1	Cond 2	Battery	High	Med	Low		Rear	Front
30	X		EZ3					OEM		40	20	20	40		90					0031539-4	
35	X		EZ3		CS2			OEM		40	20	20	40		90					0031539-4	
40	X		EZ4		CS2			OEM		40	20	20	40		90					0031539-4	
45	X		EZ5		CS2			OEM		40	20	20	40		90					0031539-4	
50	X		EZ5		CS3			OEM		40	20	20	40		90					0031539-4	
35		X	EZ3		CS2		TM-16			40	20	20	40		90					0031539-4	
40		X	EZ4		CS2		TM-16			40	20	20	40		90					0031539-4	
45		X	EZ5		CS2		TM-16			40	20	20	40		90					0031539-4	
50		X	EZ5		CS3		TM-16			40	20	20	40		90					0031539-4	
75		X	EZ9		CS3		TM-16/21	OEM		50	30	20	40		90					0031539-3	
90		X	EZ9		CS2	CS2	TM-16/21	OEM		50	30	20	40	40	90					0031539-2	
913		X	EZ9S		CS3		TM-16/21			50	30	20	40		90					0031539-2	
922		X	EZ9S		CS2	CS2	TM-21/31			50	30	20	40	40	90					0031539-2	
9323		X	EZ9	EZ3	CS2	CS3	TM-16/21	OEM		50	30	20	40	40	90	40	20	20		0031539-2	0031539-5
9333		X	EZ9	EZ3	CS3	CS3	TM-16/21	OEM		50	30	20	40	40	90	40	20	20		0031539-2	0031539-5
9323S		X	EZ9S	EZ3	CS2	CS3	TM-21/31			50	30	20	40	40	90	40	20	20		0031539-2	0031539-5
9333S		X	EZ9S	EZ3	CS3	CS3	TM-21/31			50	30	20	40	40	90	40	20	20		0031539-2	0031539-5
Trans Air	Tie	Max	Rear Evap	Front Evap	Front Cond	Rear Cond	Addon Comp	Oem Comp		High	Med	Low	Cond 1	Cond 2	Battery	High	Med	Low		Rear	Front
733		X	TA73		SMC3L					40	20	20	40		90					0031539-4	
707333		X	TA73	TA70	SMC3L	DKD417				60	40	20	40	40	90	40	20	20		0031539	0031539-5



NEXT ASSEMBLY:		DRAWING INFORMATION						
SUPERSEDES:		DRAWN:	CKD: JOH	E	JWW	7/18/12	UPDATED SPLIT CORE FOR CLARITY	17358
DO NOT SCALE DRAWING		DATE:	SIZE: B	D	JWW	1/7/11	ADDED CRITICAL NOTE 2	15881
MARK PART NUMBER AND REVISION ON ALL PARTS		SCALE: NTS	WGT:				ADDED THERMAL CUTOFFS	
THIS DRAWING IS THE PROPERTY OF EL Dorado NATIONAL COMPANY, A THOR INDUSTRIES COMPANY AND IS NOT TO BE DUPLICATED OR USED IN ANY WAY DETRIMENTAL TO THEIR BEST INTEREST.		TOLERANCE UNLESS SPECIFIED		C	JWW	7/2/10	MOVED CLUTCH TRIGGERS	14750
REV. 01/04		FRACTIONAL: ± 1/16	DECIMALS: 0.00 ± 0.06	-	JWW		RELEASED TO PRODUCTION	13198
		ANGULAR: + 1 DEG.		REV. BY	DATE		DESCRIPTION	RELEASE #

TITLE: A/C SCHEMATIC, CARRIER/ACT/TA	
MATERIAL SPEC:	
PART NUMBER: s0031539	PAGE: 1 OF 2



- ▽ - CRITICAL CONTROL ITEM
- 1) TERMINALS C2R, C1R, MSR AND HSR MUST BE TORQUED TO 2-4 FT. LBS. POWER AND GROUND POSTS MUST BE TORQUED TO 9-11 FT. LBS.
  - 2) ADD BLUE LOCTITE E53554 ON ALL BOLTS / SCREWS ON 0031539-0031539-5 AND THE AC BREAKER.

NOTES:  
 1. TERMINAL POSITIONS ON PRINTED CIRCUIT CARD ARE USING SILK SCREEN MARKINGS AND NOT ACTUAL TERMINAL POSITIONS.  
 2. DIODES ARE RATED AT A MINIMUM OF 3 AMPS.

Scan this Qrcode with your mobile device to view on your device



NEXT ASSEMBLY:		DRAWING INFORMATION					
SUPERSEDES:		DRAWN:	CKD: JOH	E JWW	7/18/12	UPDATED SPLIT CORE FOR CLARITY	17358
DO NOT SCALE DRAWING		DATE:	SIZE: B	D JWW	1/7/11	ADDED CRITICAL NOTE 2	15881
MARK PART NUMBER AND REVISION ON ALL PARTS		SCALE: NTS	WGT:	ADDED THERMAL CUTOFFS			
THIS DRAWING IS THE PROPERTY OF ELDRADO NATIONAL COMPANY. A THOR INDUSTRIES COMPANY AND IS NOT TO BE DUPLICATED OR USED IN ANY WAY DETRIMENTAL TO THEIR BEST INTEREST.		TOLERANCE UNLESS SPECIFIED		C JWW	7/2/10	MOVED CLUTCH TRIGGERS	14750
REV. 01/04		FRACTIONAL: ± 1/16	DECIMALS: 0.00 ± 0.06	- JWW	RELEASED TO PRODUCTION		13198
		ANGULAR: + 1 DEG.		REV. BY DATE	DESCRIPTION	RELEASE #	
		TITLE: A/C SCHEMATIC, CARRIER/ACT/TA				MATERIAL SPEC:	
		EIDorado National a THOR company				PART NUMBER: s0031539	
		1558 WALL STREET SALINA, KS 67401				PAGE: 2 OF 2	