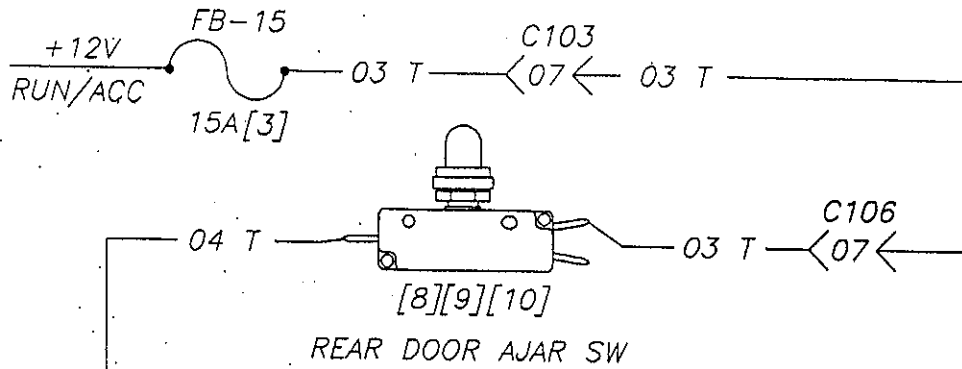


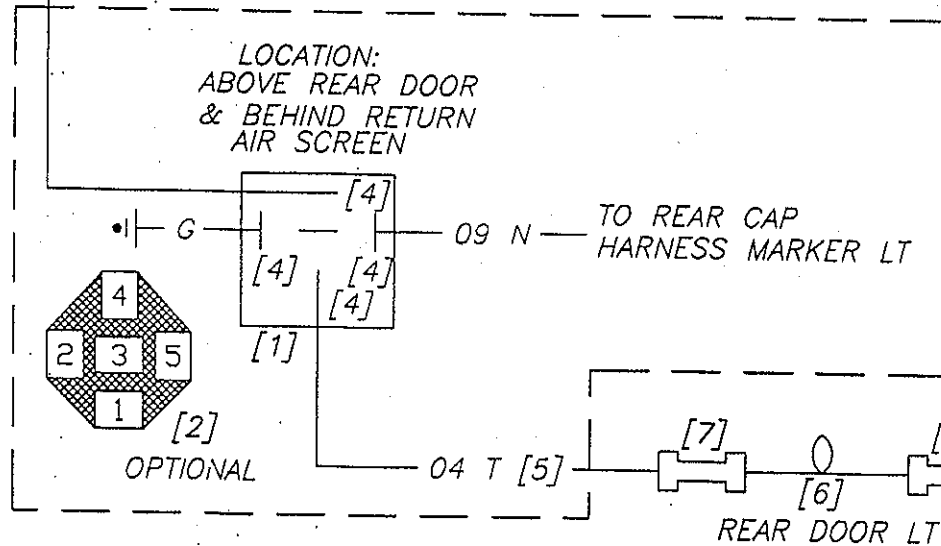
SECTION 23 - REAR DOOR

0016259	SCHEMATIC, AT/AL REAR DOOR EXTERIOR LIGHT
0019200	SCHEMATIC, '92 REAR LUGGAGE LIGHT
0019201	SCHEMATIC, '92 REAR DOOR AJAR
0024534	OVERHEAD SWITCH ASM, PHILLIPS REAR DOOR
0022976	SCHEMATIC, REAR DOOR AJAR LIGHT
0020479	SCHEMATIC, REAR DOOR LOCKED ALARM

0016259



ITEM	QTY.	PART NO.	DESCRIPTION
1	1	68323	RELAY, 12V SPDT WITH MOUNT
2	1	69860	CONN, AMP RELAY SOCKET
3	1	63069	FUSE, 15A BLADE
4	4	68467	TERM, AMP 14-16 AWG RELAY CONN
5	5.00	69005	WIRE, GXL 14 AWG TAN 04T 5.00'
6	1	63890	LIGHT, WHL CHAIR DOOR
7	2	61800	CONN, BUTT 14-16 AWG INS
8	1	68400	SWITCH, MICRO S.P.
9	1	67677	BOOT, SILICONE WITH 3/8-32 NUT
10	1	68421	NUT, BLK KNURLED DRESS FACE



NOTE
 1. [Y] WHERE Y REFERS TO THE B.O.M. ITEM NUMBER.
 2. ALL ELECTRICAL CHASSIS GROUND CONNECTIONS WILL USE STAR WASHERS.
 3. ALL EXTERIOR WIRING CONNECTIONS WILL BE COVERED WITH MASTIC LINED HEAT SHRINK TUBING.

REV.	BY	DATE	DESCRIPTION	ER NUMBER
C	BJM	8/4/98	CHG. #8, ADDED #9+#10	03631
B	BJM	5/23/97	ADDED ITEM #3, #8	02456
A	DWR	07/23/93	CHG TO B SIZE; DEL BOM #3; CHG BOM #1, 2 & 4; CHG BOM FORMAT	00285
-	DWR	06/14/91	RELEASE TO PRODUCTION	--



304 AVENUE B
 SO. INDUSTRIAL AREA
 SALINA, KS. 67401

ELDORADO NATIONAL CO. A THOR INDUSTRIES COMPANY
 TITLE:
 SCHEMATIC, AT/AL REAR DOOR EXTERIOR LIGHT
 MAT'L SPEC.
 SEE B.O.M.
 PART NUMBER
 0016259
 PAGE
 1 of 1

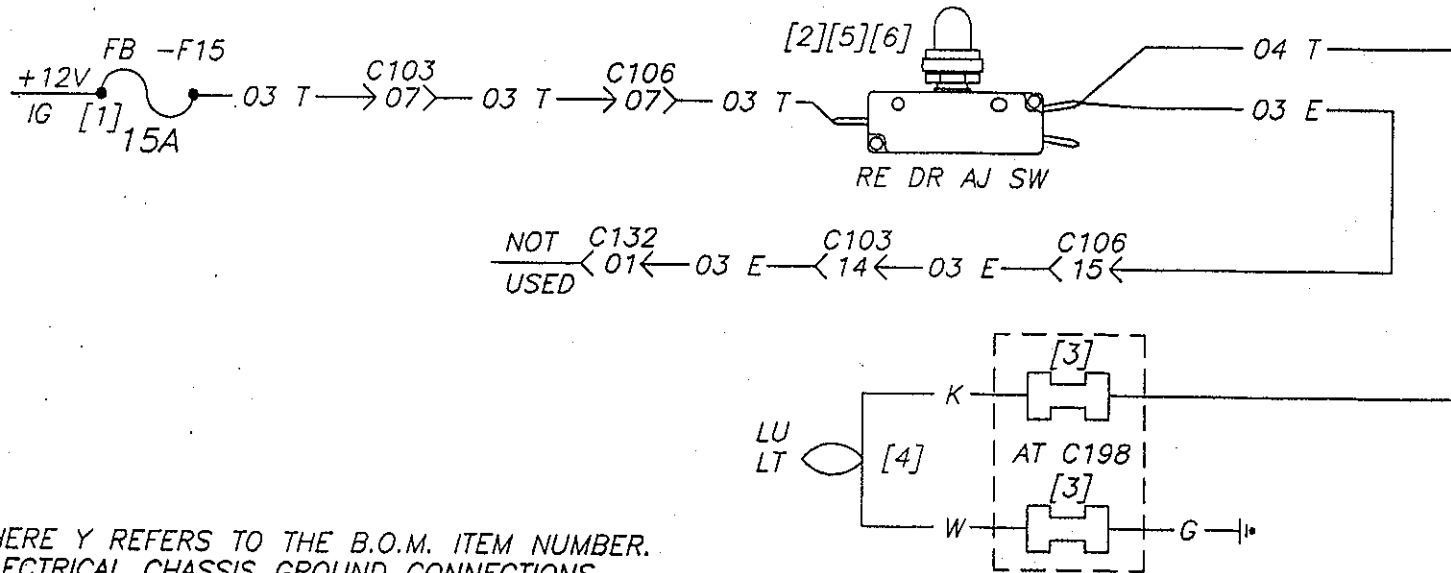
NEXT ASSY.: NONE
 SUPERCEDES: NONE
 DO NOT SCALE DRAWING
 MARK PART NUMBER AND REVISION ON ALL PARTS

THIS DRAWING IS THE PROPERTY OF ELDORADO NATIONAL COMPANY, A THOR INDUSTRIES COMPANY AND IS NOT TO BE DUPLICATED OR USED IN ANY WAY DETRIMENTAL TO THEIR BEST INTEREST.


TOLERANCE UNLESS SPECIFIED		DRAWING INFORMATION	
FRACTIONS	± 1/16	DRAWN: REED	CKD.:
DECIMALS	.00 ± .06	DATE: 06/14/91	SIZE: B
ANGLES	± 1 DEG.	SCALE: 1/4	WT.:

0019200

ITEM	QTY.	PART NO.	DESCRIPTION
1	1	63069	FUSE, 15A BLADE
 2	1	68400	SWITCH, MICRO S.P.
3	2	61800	CONN, BUTT 14-16 AWG INS
4	1	64800	LIGHT, WHITE PATIO
 5	1	67677	BOOT, SILICONE WITH 3/8-32 NUT
 6	1	68421	NUT, BLK KNURLED DRESS FACE

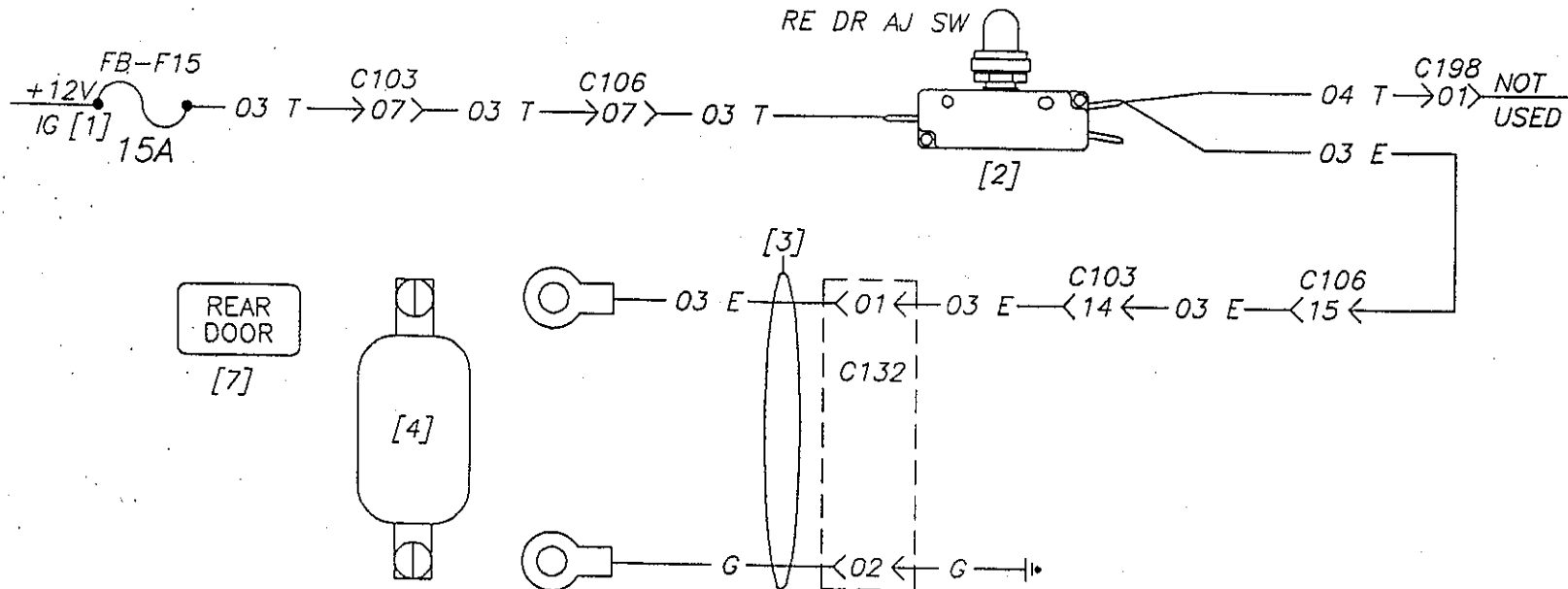


NOTE:
 1. [Y] WHERE Y REFERS TO THE B.O.M. ITEM NUMBER.
 2. ALL ELECTRICAL CHASSIS GROUND CONNECTIONS WILL USE STAR WASHERS.


NEXT ASSY.: NONE		B	BJM	8/5/98	CHG. #2, ADDED #5 + #6	03631	 304 AVENUE B SO. INDUSTRIAL AREA SALINA, KS. 67401	
SUPERCEDES: NONE		A	DWR	7/23/93	CHG. B.O.M. FORMAT	00285		
DO NOT SCALE DRAWING		-	DWR	7/24/92	RELEASE TO PRODUCTION	00018	TITLE: SCHEMATIC, '92 REAR LUGGAGE LIGHT	
MARK PART NUMBER AND REVISION ON ALL PARTS		REV.	BY	DATE	DESCRIPTION	ER NUMBER	MAT'L SPEC. SEE B.O.M.	
THIS DRAWING IS THE PROPERTY OF ELDORADO NATIONAL COMPANY, A THOR INDUSTRIES COMPANY AND IS NOT TO BE DUPLICATED OR USED IN ANY WAY DETRIMENTAL TO THEIR BEST INTEREST.		TOLERANCE UNLESS SPECIFIED			DRAWING INFORMATION			
		FRACTIONS ± 1/16			DRAWN: REED		CKD.:	PART NUMBER
		DECIMALS .00 ± .06			DATE: 7/20/92		SIZE: A	0019200
ANGLES ± 1 DEG.			SCALE: 1/4		WT.:	PAGE		
							1 of 1	

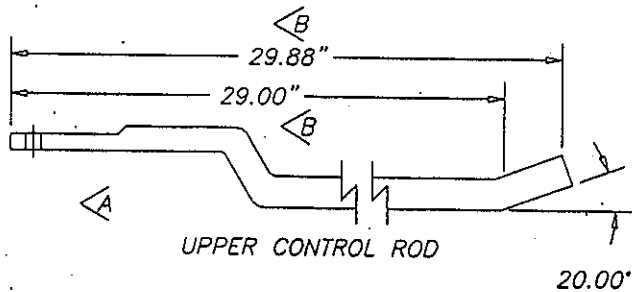
0019201

ITEM	QTY.	PART NO.	DESCRIPTION
1	1	63069	FUSE, 15A BLADE
2	1	68400	SWITCH, MICRO S.P.
3	1	0019199	HARNES, REAR DOOR ALARM
4	1	61440	BUZZER, PM DOOR AJAR
5	1	67677	BOOT, SILICONE WITH 3/8-32 NUT
6	1	68421	NUT, BLK KNURLED DRESS FACE
7	1	70152	CHIP, 1/P "REAR DOOR" ENG

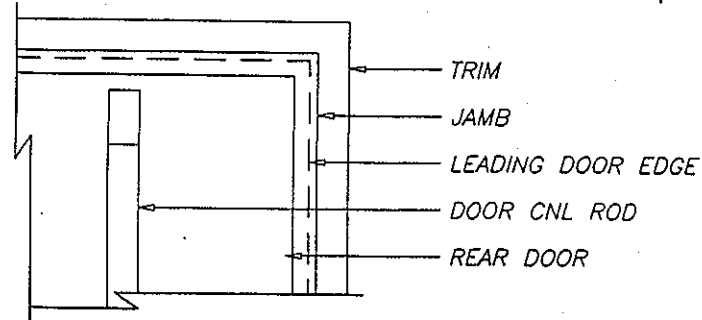
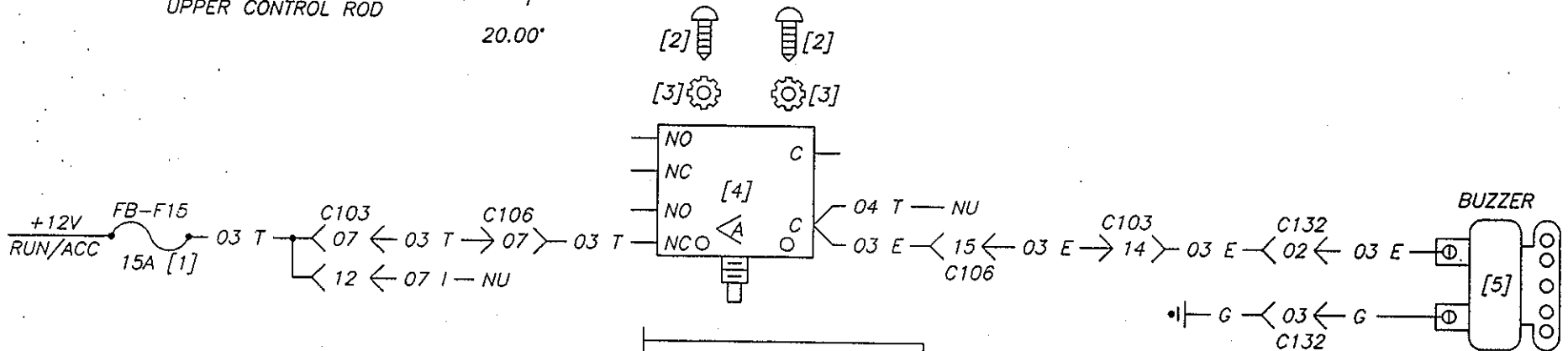


NOTE:
 1. [Y] WHERE Y REFERS TO THE B.O.M. ITEM NUMBER.
 2. ALL ELECTRICAL CHASSIS GROUND CONNECTIONS WILL USE STAR WASHERS.

NEXT ASSY.: NONE						 304 AVENUE B SO. INDUSTRIAL AREA SALINA, KS. 67401	
SUPERCEDES: NONE							
DO NOT SCALE DRAWING		A	BJM	8/3/98	CHG. ITEM #2, ADDED #5+#6+#7, CHG. TO "A" SIZE	03631	TITLE: SCHEMATIC, '92 REAR DOOR AJAR #7180
MARK PART NUMBER AND REVISION ON ALL PARTS		-	DWR	7/20/92	RELEASE TO PRODUCTION	0001B	MAT'L SPEC. SEE B.O.M.
THIS DRAWING IS THE PROPERTY OF ELDORADO NATIONAL COMPANY, A THOR INDUSTRIES COMPANY AND IS NOT TO BE DUPLICATED OR USED IN ANY WAY DETRIMENTAL TO THEIR BEST INTEREST.		TOLERANCE UNLESS SPECIFIED			DRAWING INFORMATION		
		FRACTIONS ± 1/16			DRAWN: REED CKD.:		
		DECIMALS .00 ± .06			DATE: 7/20/92 SIZE: A		
		ANGLES ± 1 DEG.			SCALE: 1/4 WT.:		
						PART NUMBER 0019201	
						PAGE 1 of 1	



ITEM	QTY.	PART NO.	DESCRIPTION
1	1	63069	FUSE, 15A BLADE
2	2	0021142	SCREW, SMS #6 X 1 TRUSS HD PHIL
3	2	119482	WAHER, #6 EXT STAR
4	1	0001747	SWITCH, DPDT MICRO
5	1	61440	BUZZER, DOOR AJAR
6			



NOTE

- [Y] WHERE Y REFERS TO THE B.O.M. ITEM NUMBER.
- ALL ELECTRICAL CHASSIS GROUND CONNECTIONS WILL USE STAR WASHERS.
- ALL EXTERIOR WIRING CONNECTIONS WILL BE COVERED WITH MASTIC LINED HEAT SHRINK TUBING.
- NU - NOT USED
- MOUNT SWITCH ON TRIM DIRECTLY ABOVE DOOR CNL ROD.

NEXT ASSY.: NONE		B DWR 01/21/96		SHORTENED CNL ROD		03277	
SUPERCEDES: NONE		A DWR 01/20/96		CHK SW MOD CNL ROD		03271	
DO NOT SCALE DRAWING		- DWR 01/18/96		RELEASE TO PRODUCTION		03234	
MARK PART NUMBER AND REVISION ON ALL PARTS		REV.	BY	DATE	DESCRIPTION	ER NUMBER	MATL SPEC.
THIS DRAWING IS THE PROPERTY OF ELDORADO NATIONAL COMPANY, A THOR INDUSTRIES COMPANY AND IS NOT TO BE DUPLICATED OR USED IN ANY WAY DETRIMENTAL TO THEIR BEST INTEREST.							
TOLERANCE UNLESS SPECIFIED				DRAWING INFORMATION			
FRACTIONS ± 1/16				DRAWN: FEE			
DECIMALS .00 ± .06				CHKD:			
ANGLES ± 1 DEG.				DATE: 03/04/96			
				SIZE: B			
				SCALE: 1=1			
				W.T.			
						PART NUMBER	
						SEE B.O.M.	
						0024534	
						PAGE	
						1 of 1	

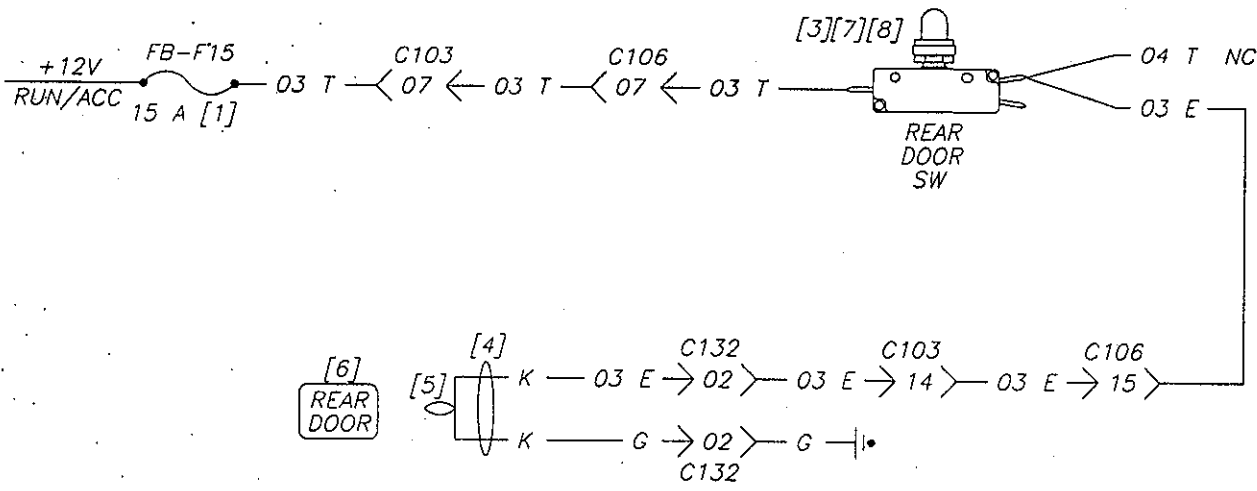


304 AVENUE B
SO. INDUSTRIAL AREA
SALINA, KS. 67401

ELDORADO NATIONAL CO. A THOR INDUSTRIES COMPANY


TITLE:
OVERHEAD SWITCH ASM, PHILLIPS
REAR DOOR

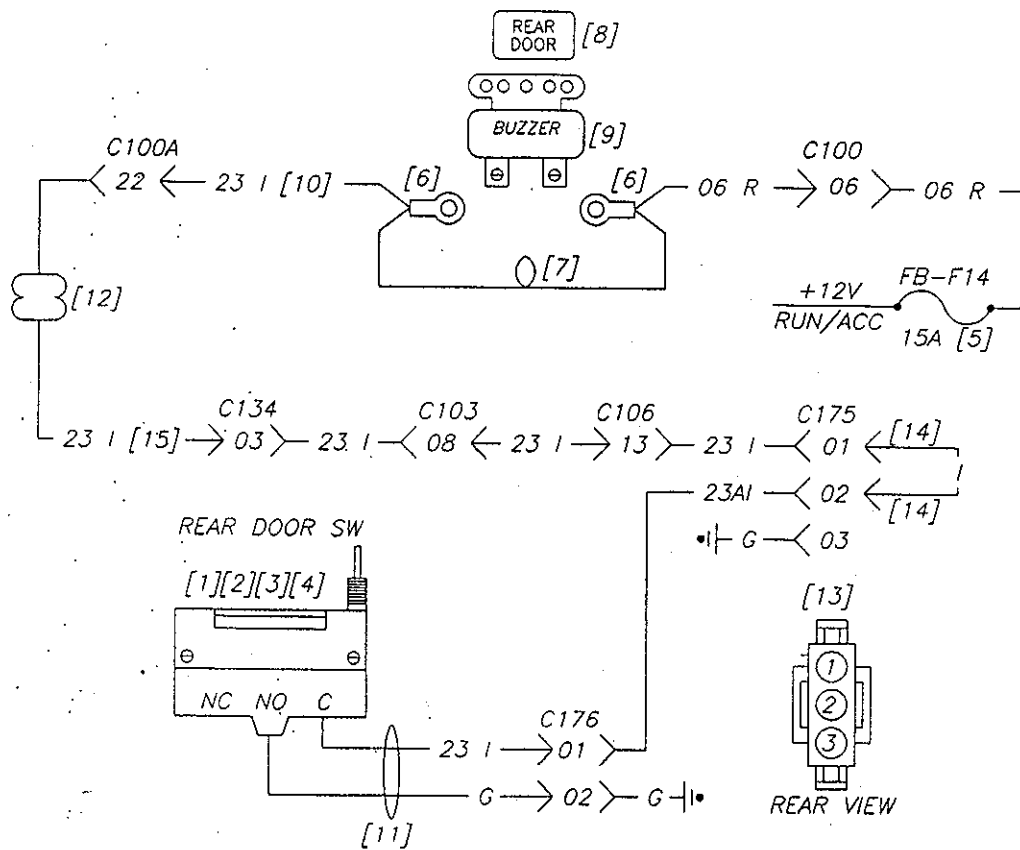
SEE B.O.M.



ITEM	QTY.	PART NO.	DESCRIPTION
1	1	63069	FUSE, 15 A BLADE
2	2	116920	SCREW, TEK #8 X 1/2 PH PHIL
3	1	68400	SWITCH, MICRO S.P.
4	1	0019199	HARNNESS, REAR DOOR ALARM
5	1	65316	LIGHT, RED INDICATOR
6	1	70789	DECAL, 'REAR DOOR' ENGRAVED
7	1	67677	BOOT, SILICONE WITH 3/8-32 NUT
8	1	68421	NUT, BLK KNURLED DRESS FACE

- NOTE
- [Y] WHERE Y REFERS TO THE B.O.M. ITEM NUMBER.
 - ALL ELECTRICAL CHASSIS GROUND CONNECTIONS WILL USE STAR WASHERS.
 - ALL EXTERIOR WIRING CONNECTIONS WILL BE COVERED WITH MASTIC LINED HEAT SHRINK TUBING.
 - NC - NO CONNECTION

NEXT ASSY.: NONE		DRAWING INFORMATION		 304 AVENUE B SO. INDUSTRIAL AREA SALINA, KS. 67401	
SUPERCEDES: NONE		A BJM 8/5/96 CHG. 7A, ADDED 77 + 78 - DWR 07/25/96 RELEASE TO PRODUCTION MARK PART NUMBER AND REVISION ON ALL PARTS		EL Dorado NATIONAL CO. A THOR INDUSTRIES COMPANY 03831 TITLE: SCHEMATIC, REAR DOOR AJAR LIGHT 01793	
THIS DRAWING IS THE PROPERTY OF EL DORADO NATIONAL COMPANY, A THOR INDUSTRIES COMPANY AND IS NOT TO BE DUPLICATED OR USED IN ANY WAY DETRIMENTAL TO THEIR BEST INTEREST.		TOLERANCE UNLESS SPECIFIED FRACTIONS ± 1/16 DECIMALS .00 ± .06 ANGLES ± 1 DEG		DATE: 07/25/96 SIZE: B SCALE: 1-1 WT.:	
				MAT'L SPEC. SEE B.O.M. PART NUMBER 0022976	
				PAGE 1 of 1	



ITEM	QTY.	PART NO.	DESCRIPTION
NS	1	REF 0011140	PLUNGER, HIGH OVER TRAVEL
	2	REF 0011141	SWITCH, PIN PLUNGER
NS	3	REF 0020518	BRACKET, STARTER INTERLOCK SWITCH
NS	4	1 0022992	ASM, REAR DOOR LOCKED
	5	1 63069	FUSE, 15A BLADE
B	6	2 62320	CONN, RING 14-16 AWG X #10 INS
C	7	1 65316	LIGHT, RED INDICATOR
B	8	1 70152	CHIP, 1/P 'REAR DOOR' ENG
C	9	1 61441	BUZZER, DOOR AJAR (CH)
	10	3.00 69710	WIRE, GXL 16 AWG PINK 23I 1 @ 36.00"
	11	1 0019261	HARNASS, LEFT PULL CORD
	12	6.00 69850	FLEXLOOM, 1/4 SLIT 1 @ 72.00"
	13	1 62774	PLUG, 3-CIRCUIT
NS	14	2 62764	PIN, 14-18 AWG REEL
	15	6.00 69710	WIRE, GXL 16 AWG PINK 23I 1 @ 72.00"
	16		

NOTE

- [Y] WHERE Y REFERS TO THE B.O.M. ITEM NUMBER.
- ALL ELECTRICAL CHASSIS GROUND CONNECTIONS WILL USE STAR WASHERS.
- ALL EXTERIOR WIRING CONNECTIONS WILL BE COVERED WITH MASTIC LINED HEAT SHRINK TUBING.
- NS - NOT SHOWN ON THIS DRAWING

NEXT ASSY: NONE

SUPERCEDES: NONE

DO NOT SCALE DRAWING

MARK PART NUMBER AND REVISION ON ALL PARTS

THIS DRAWING IS THE PROPERTY OF ELDERADO NATIONAL COMPANY, A THOR INDUSTRIES COMPANY AND IS NOT TO BE DUPLICATED OR USED IN ANY WAY DETRIMENTAL TO THEIR BEST INTEREST.

REV.	BY	DATE	DESCRIPTION	ER NUMBER
D	DWR	06/18/96	CHG TBP WIRE TO OSH WIRE	03668
C	BJM	8/6/96	CHG. #7-#9, ADDED #18-#19	03431
B	AJD	11/1/91	DEL ITEM #8	00964
A	DWR	04/28/91	CHG QTY ITEM #6	00223
-	DWR	4/20/93	RELEASE TO PRODUCTION	00221

TOLERANCE UNLESS SPECIFIED	DRAWING INFORMATION
FRACTIONS ± 1/16	DRAWN: F R E C
DECIMALS .00 ± .06	DATE: 4/20/93
ANGLES ± 1 DEG.	SCALE: NTS



304 AVENUE B
SO. INDUSTRIAL AREA
SALINA, KS. 67401

ELDERADO NATIONAL CO. A THOR INDUSTRIES COMPANY

TITLE:
SCHEMATIC, REAR DOOR
LOCKED ALARM #7182

MAT'L SPEC.
SEE B.O.M.

PART NUMBER
0020479

PAGE
1 of 1