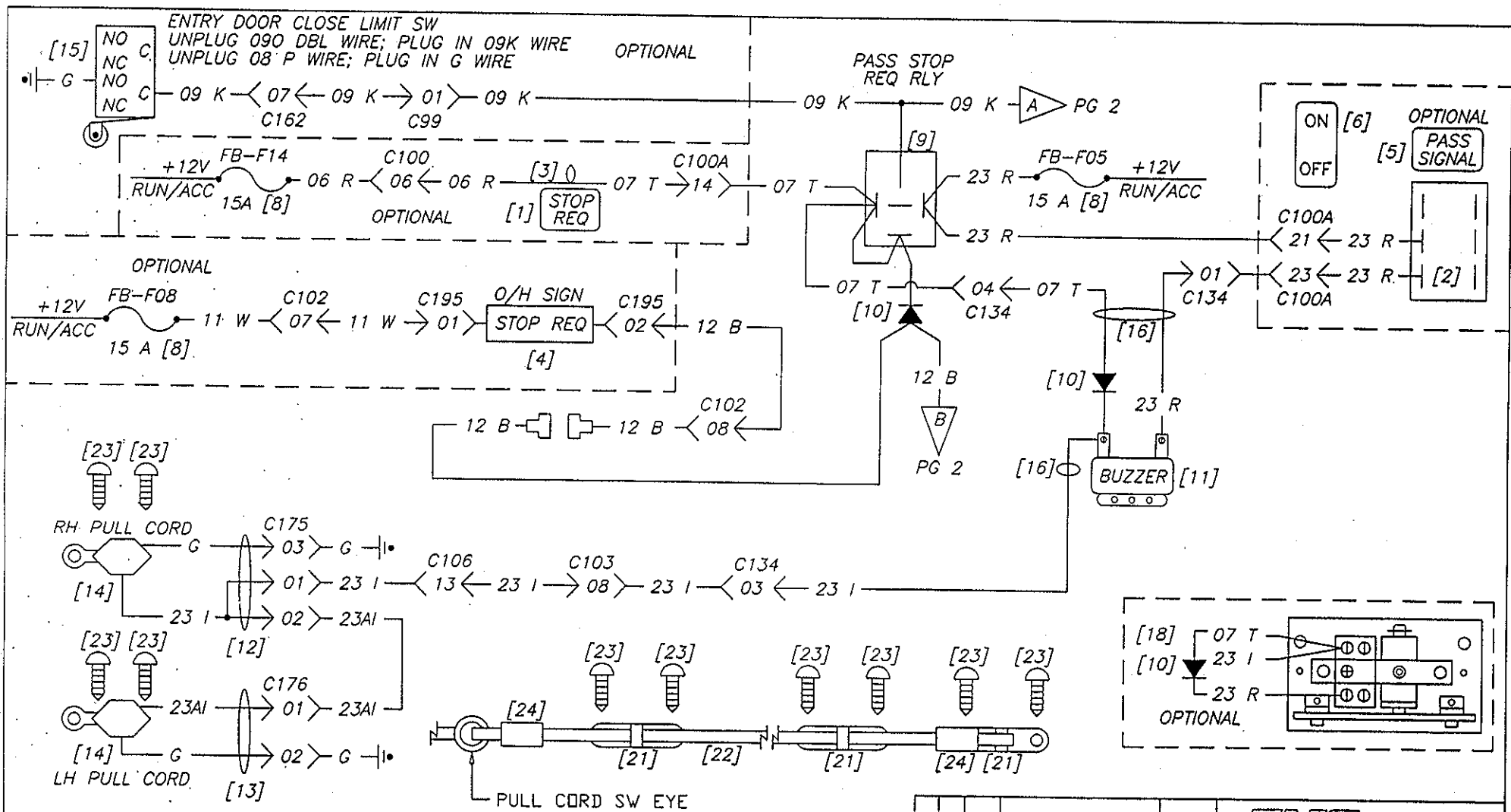


## **SECTION 26 - PASSENGER SIGNAL SYSTEM**

- 0024813 ELECTRICAL, AT/AL/ATC PASSENGER PULL CORD  
WITH BUZZER
- 0024846 ELECTRICAL, AT/AL/ATC WHEELCHAIR PULL CORD  
WITH BUZZER
- 0024849 ELECTRICAL, AT/AL/ATC PASSENGER TOUCH TAPE  
WITH BUZZER
- 0024857 ELECTRICAL, AT/AL/ATC WHEELCHAIR TOUCH TAPE  
WITH BUZZER



**NOTE**

1. [Y] WHERE Y REFERS TO THE B.O.M. ITEM NUMBER.
2. ALL ELECTRICAL CHASSIS GROUND CONNECTIONS WILL USE STAR WASHERS.
3. ALL EXTERIOR WIRING CONNECTIONS WILL BE COVERED WITH MASTIC LINED HEAT SHRINK TUBING.

NEXT ASSY.: NONE

SUPERCEDES: 0022921

DO NOT SCALE DRAWING

MARK PART NUMBER AND REVISION ON ALL PARTS

THIS DRAWING IS THE PROPERTY OF ELDERADO NATIONAL COMPANY, A THOR INDUSTRIES COMPANY AND IS NOT TO BE DUPLICATED OR USED IN ANY WAY DETRIMENTAL TO THEIR BEST INTEREST.

REV.	BY	DATE	DESCRIPTION	QR NUMBER

TOLERANCE UNLESS SPECIFIED		DRAWING INFORMATION	
FRACTIONS	± 1/16	DRAWN BY	ELC
DECIMALS	.00 ± .06	DATE	05/23/88
ANGLES	± 1 DEG.	SCALE	1=1
		WT.	

**ENC** 304 AVENUE B  
SO. INDUSTRIAL AREA  
SALINA, KS. 67401

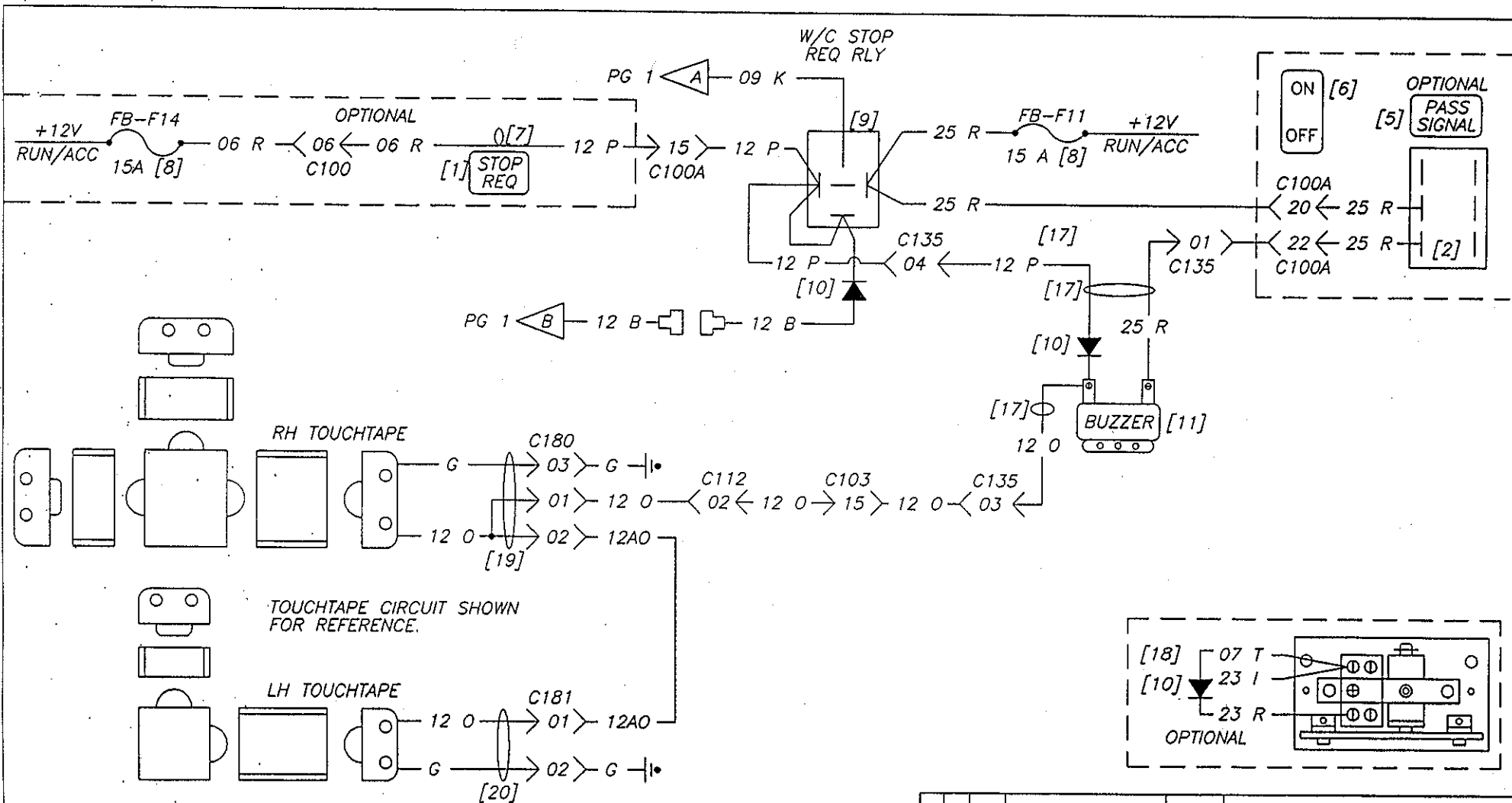
ELDERADO NATIONAL CO. A THOR INDUSTRIES COMPANY

TITLE:  
ELECTRICAL, AT/AL/ATC PASSENGER  
PULL CORD WITH BUZZER #7735

MAT'L SPEC.  
SEE B.O.M.

PART NUMBER  
0024813

PAGE  
1 of 3



**NOTE**

1. [Y] WHERE Y REFERS TO THE B.O.M. ITEM NUMBER.
2. ALL ELECTRICAL CHASSIS GROUND CONNECTIONS WILL USE STAR WASHERS.
3. ALL EXTERIOR WIRING CONNECTIONS WILL BE COVERED WITH MASTIC LINED HEAT SHRINK TUBING.

NEXT ASSY.: NONE

SUPERCEDES: 0022921

DO NOT SCALE DRAWING

MARK PART NUMBER AND REVISION ON ALL PARTS

THIS DRAWING IS THE PROPERTY OF ELDERADO NATIONAL COMPANY, A THOR INDUSTRIES COMPANY AND IS NOT TO BE DUPLICATED OR USED IN ANY WAY DETRIMENTAL TO THEIR BEST INTEREST.

REV.	BY	DATE	DESCRIPTION	QR NUMBER



304 AVENUE B  
SALINA, KS. 67401

ELDERADO NATIONAL CO. A THOR INDUSTRIES COMPANY

TITLE:  
ELECTRICAL, AT/AL/ATC PASSENGER  
PULL CORD WITH BUZZER #7735

MAT'L SPEC.  
SEE B.O.M.


PART NUMBER  
0024813

PAGE  
2 of 3

ITEM	QTY.	PART NO.	DESCRIPTION
1	1	70149	CHIP, INST PNL 'STOP REQ' ENG
2	1	68118	SWITCH, DPDT ON/ON BAT TOG
3	1	65317	LIGHT, AMBER INDICATOR
4	REF	0020396	ASM, STOP REQUESTED SIGN
5	1	70143	CHIP, INST PNL 'PASS SIGNAL' ENG
6	1	70170	CHIP, I/P 'ON OFF' ENG
7	REF	65316	LIGHT, RED INDICATOR
8	3	63069	FUSE, 15 A BLADE
9	REF	68323	RELAY, 12 VDC SPDT WITH MOUNT
10	1	60800	DIODE, 6A RECTIFIER
11	1	61441	BUZZER, DOOR AJAR (CH)
12	1	0019260	HARNESS, RIGHT PULLCORD
13	1	0019261	HARNESS, LEFT PULLCORD
14	2	68280	SWITCH, PULLCORD
15	REF	68102	SWITCH, DPDT ENTRY DOOR ROLLER
16	1	0024829	HARNESS, 98 PASS STOP REQ
17	REF	0024830	HARNESS, 98 W/C STOP REQ
18	REF	61451	CHIME, ONE-SHOT
19	REF	0019416	HARNESS, ADA RIGHT PULL CORD
20	REF	0019417	HARNESS, ADA LEFT PULL CORD
21	16	0016143	BRKT, PULL CORD
22	60.00	31040	CABLE, 1/8" COATED
23	36	116160	SCREW, SMS #8 X 3/4 PH PHIL
24	4	37760	SLEEVE, 1/8" NICRO PRESS
25			

NEXT ASSY.: NONE  
 SUPERCEDES: 0022921  
**DO NOT SCALE DRAWING**  
 MARK PART NUMBER AND REVISION ON ALL PARTS

REV.	BY	DATE	DESCRIPTION	QR NUMBER
-	DWR	04/24/99	RELEASE TO PRODUCTION	03520



304 AVENUE B  
 52. INDUSTRIAL AREA  
 SALINA, KS 67401

ELDORADO NATIONAL CO. A THOR INDUSTRIES COMPANY

TITLE:  
 ELECTRICAL, AT/AL/ATC PASSENGER  
 PULL CORD WITH BUZZER #7735

MAT'L SPEC.  
 SEE B.O.M.

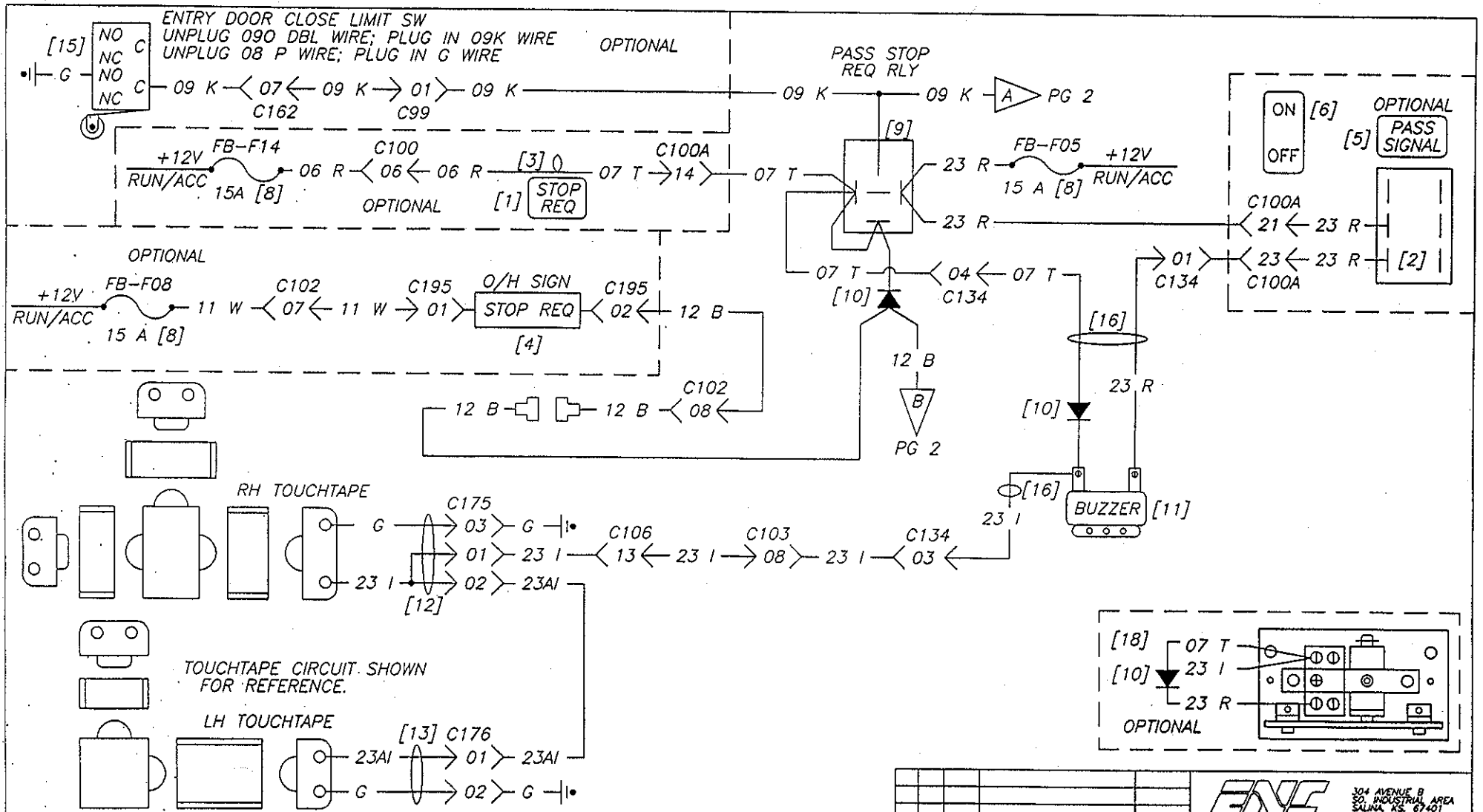
PART NUMBER  
**0024813**

PAGE  
**3 of 3**

THIS DRAWING IS THE PROPERTY OF ELDORADO NATIONAL COMPANY, A THOR INDUSTRIES COMPANY AND IS NOT TO BE DUPLICATED OR USED IN ANY WAY DETRIMENTAL TO THEIR BEST INTEREST.

TOLERANCE UNLESS SPECIFIED		DRAWING INFORMATION	
FRACTIONS	± 1/16	DRAWN/RECD	CKD:
DECIMALS	.00 ± .06	DATE: 06/25/98	SIZE: B
ANGLES	± 1 DEG.	SCALE: 1=1	WT:

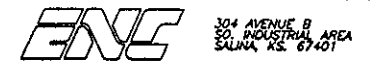
NOTE  
 1. NS - NOT SHOWN ON THIS DRAWING

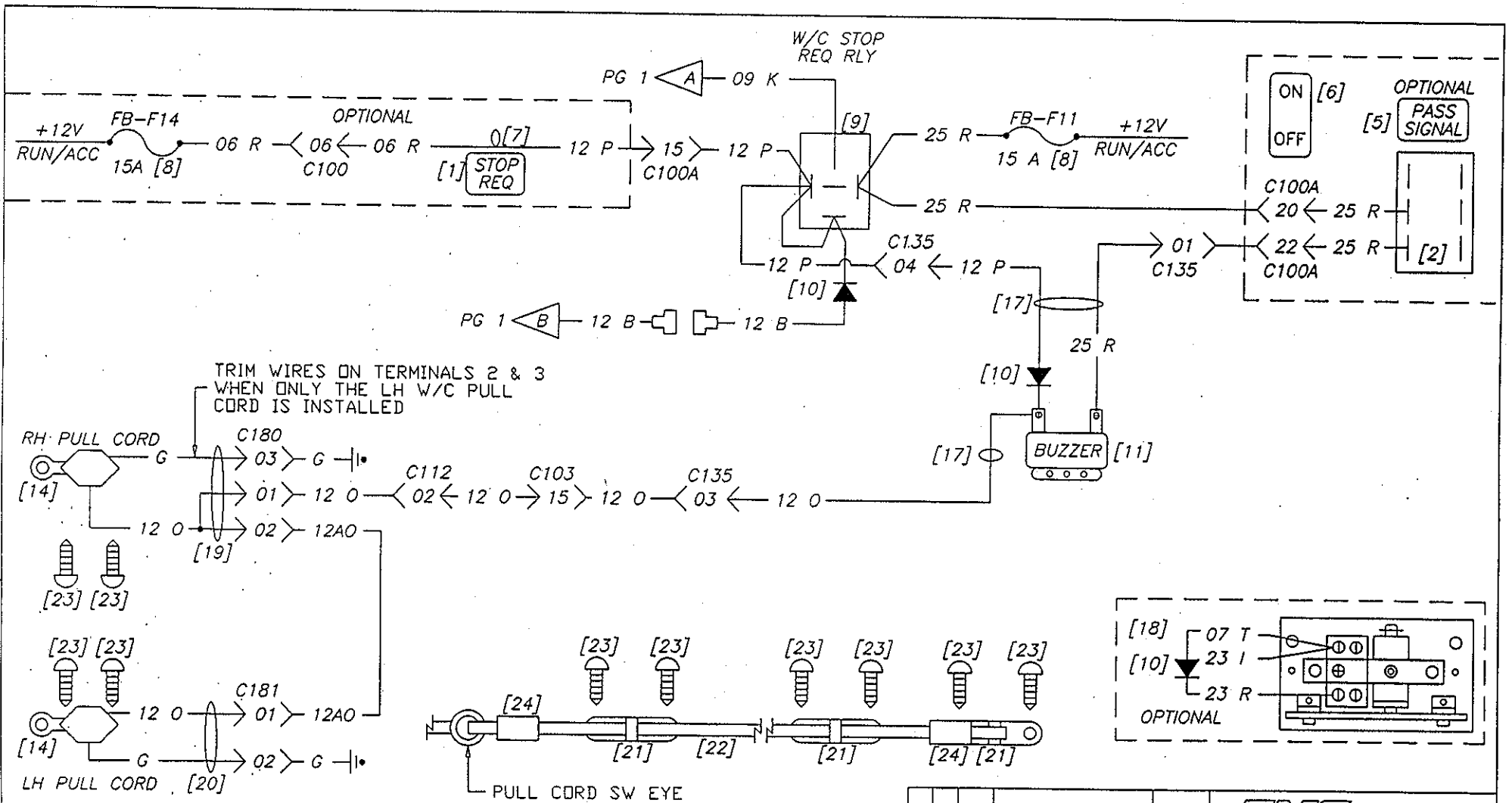


TOUCHTAPE CIRCUIT SHOWN FOR REFERENCE.

- NOTE
- [Y] WHERE Y REFERS TO THE B.O.M. ITEM NUMBER.
  - ALL ELECTRICAL CHASSIS GROUND CONNECTIONS WILL USE STAR WASHERS.
  - ALL EXTERIOR WIRING CONNECTIONS WILL BE COVERED WITH MASTIC LINED HEAT SHRINK TUBING.

NEXT ASSY.: NONE		ELDERADO NATIONAL CO. A THOR INDUSTRIES COMPANY	
SUPERCEDES: 0021797		TITLE:	
DO NOT SCALE DRAWING		DATE: 07/14/98	RELEASE TO PRODUCTION 03520
MARK PART NUMBER AND REVISION ON ALL PARTS		REV. BY DATE	DESCRIPTION
THIS DRAWING IS THE PROPERTY OF ELDERADO NATIONAL COMPANY, A THOR INDUSTRIES COMPANY AND IS NOT TO BE DUPLICATED OR USED IN ANY WAY DETRIMENTAL TO THEIR BEST INTEREST.		DRAWING INFORMATION	
TOLERANCE UNLESS SPECIFIED		FRACTIONS ± 1/16	DECIMALS .00 ± .06
ANGLES ± 1 DEG.		DATE: 07/06/98	SCALE: 1"=1"
DRAWN: FRED		CHECKED:	PART NUMBER
DATE: 07/06/98		SIZE: B	0024846
SCALE: 1"=1"		WT.:	PAGE
			1 of 3





**NOTE**

1. [Y] WHERE Y REFERS TO THE B.O.M. ITEM NUMBER.
2. ALL ELECTRICAL CHASSIS GROUND CONNECTIONS WILL USE STAR WASHERS.
3. ALL EXTERIOR WIRING CONNECTIONS WILL BE COVERED WITH MASTIC LINED HEAT SHRINK TUBING.

NEXT ASSY.: NONE

SUPERCEDES: 0021797

DO NOT SCALE DRAWING

MARK PART NUMBER AND REVISION ON ALL PARTS

THIS DRAWING IS THE PROPERTY OF ELDORADO NATIONAL COMPANY, A THOR INDUSTRIES COMPANY AND IS NOT TO BE DUPLICATED OR USED IN ANY WAY DETRIMENTAL TO THEIR BEST INTEREST.

REV.	BY	DATE	DESCRIPTION	ER NUMBER
TOLERANCE UNLESS SPECIFIED			DRAWING INFORMATION	
FRACTIONS ± 1/16			DATE: 07/05/78	CD:
DECIMALS .00 ± .06			SIZE: B	
ANGLES ± 1 DEG.			SCALE: 1=1	WT:

**ENC**

304 AVENUE B  
50 INDUSTRIAL AREA  
SALINA, KS 67401

ELDORADO NATIONAL CO. A THOR INDUSTRIES COMPANY

TITLE:  
ELECTRICAL, AT/AL/ATC WHEELCHAIR  
PULL CORD WITH BUZZER #7737

MAT'L SPEC.  
SEE B.O.M.

PART NUMBER  
0024846

PAGE  
2 of 3

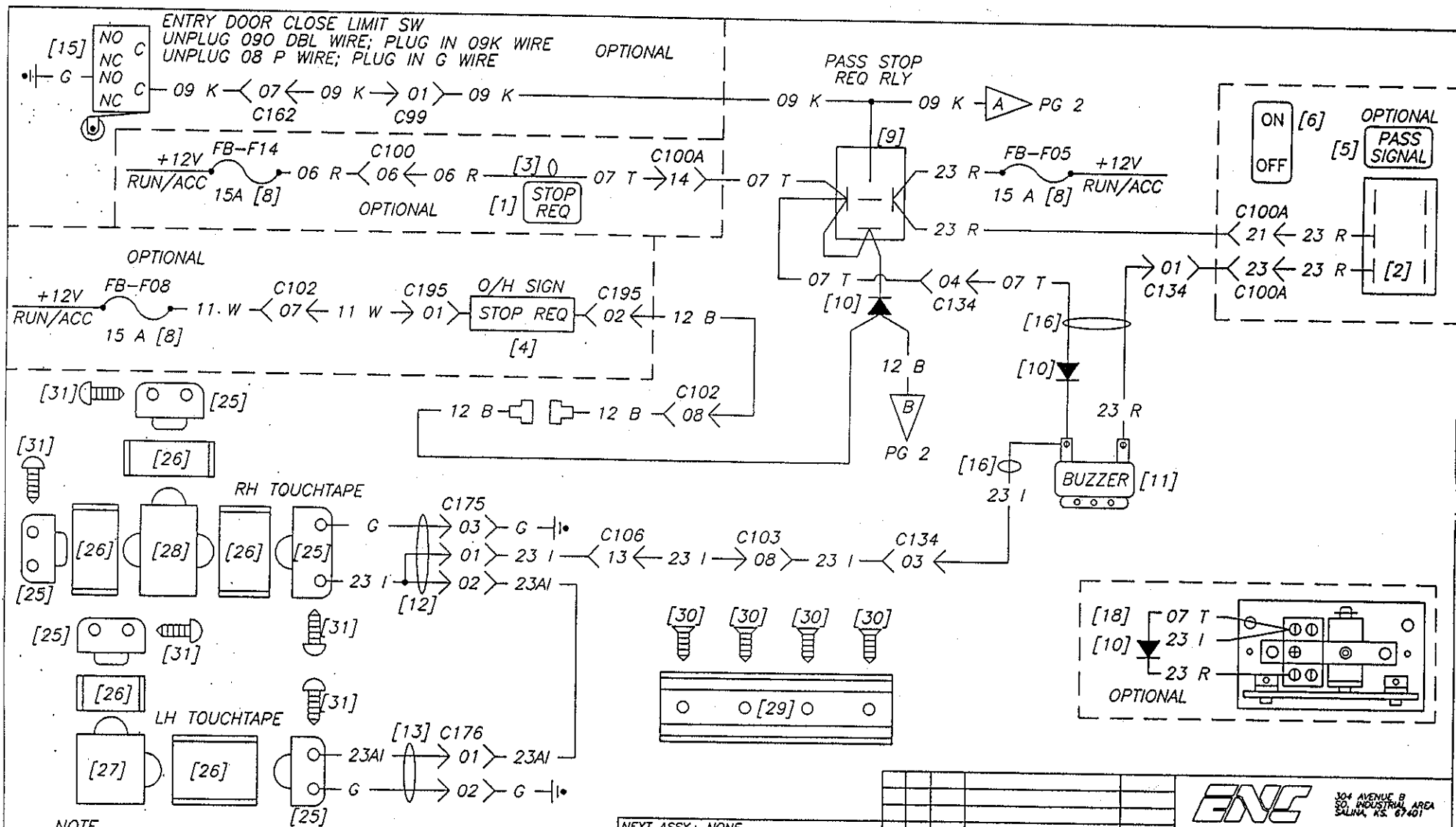
ITEM	QTY.	PART NO.	DESCRIPTION
1	1	70149	CHIP, INST PNL 'STOP REQ' ENG
2	1	68118	SWITCH, DPDT ON/ON BAT TOG
3	REF	65317	LIGHT, AMBER INDICATOR
4	REF	0020396	ASM, STOP REQUESTED SIGN
5	1	70143	CHIP, INST PNL 'PASS SIGNAL' ENG
6	1	70170	CHIP, I/P 'ON OFF' ENG
7	1	65316	LIGHT, RED INDICATOR
8	3	63069	FUSE, 15 A BLADE
9	REF	68323	RELAY, 12 VDC SPDT WITH MOUNT
10	1	60800	DIODE, 6A RECTIFIER
11	1	61441	BUZZER, DOOR AJAR (CH)
12	REF	0019260	HARNESS, RIGHT PULLCORD
13	REF	0019261	HARNESS, LEFT PULLCORD
14	1	68280	SWITCH, PULLCORD
15	REF	68102	SWITCH, DPDT ENTRY DOOR ROLLER
16	REF	0024829	HARNESS, 98 PASS STOP REQ
17	1	0024830	HARNESS, 98 W/C STOP REQ
18	REF	61451	CHIME, ONE-SHOT
19	1	0019416	HARNESS, ADA RIGHT PULL CORD
20	1	0019417	HARNESS, ADA LEFT PULL CORD
21	6	0016143	BRKT, PULL CORD
22	10.00	31040	CABLE, 1/8" COATED
23	14	116160	SCREW, SMS #8 X 3/4 PH PHIL
24	2	37760	SLEEVE, 1/8" NICO PRESS
25			
26			
27			

NEXT ASSY.: NONE  
 SUPERCEDES: 0021797  
 DO NOT SCALE DRAWING  
 MARK PART NUMBER AND REVISION ON ALL PARTS  
 THIS DRAWING IS THE PROPERTY OF EL Dorado NATIONAL COMPANY, A THOR INDUSTRIES COMPANY AND IS NOT TO BE DUPLICATED OR USED IN ANY WAY DETRIMENTAL TO THEIR BEST INTEREST.


REV.	BY	DATE	DESCRIPTION	ER NUMBER
-	DWR	07/10/98	RELEASE TO PRODUCTION	03520
TOLERANCE UNLESS SPECIFIED			DRAWING INFORMATION	
FRACTIONS ± 1/16			DRAWN	CHKD
DECIMALS .00 ± .04			DATE: 07/05/98	SIZE: B
ANGLES ± 1 DEG.			SCALE: 1=1	WT.

**ENG**  
 304 AVENUE B  
 SO. INDUSTRIAL AREA  
 SALINA, KS 67401  
 EL Dorado NATIONAL CO. A THOR INDUSTRIES COMPANY  
 TITLE:  
 ELECTRICAL, AT/AL/ATC WHEELCHAIR  
 PULL CORD WITH BUZZER #7737  
 MATL. SPEC.  
 SEE B.O.M.  
 PART NUMBER  
 0024846  
 PAGE  
 3 of 3

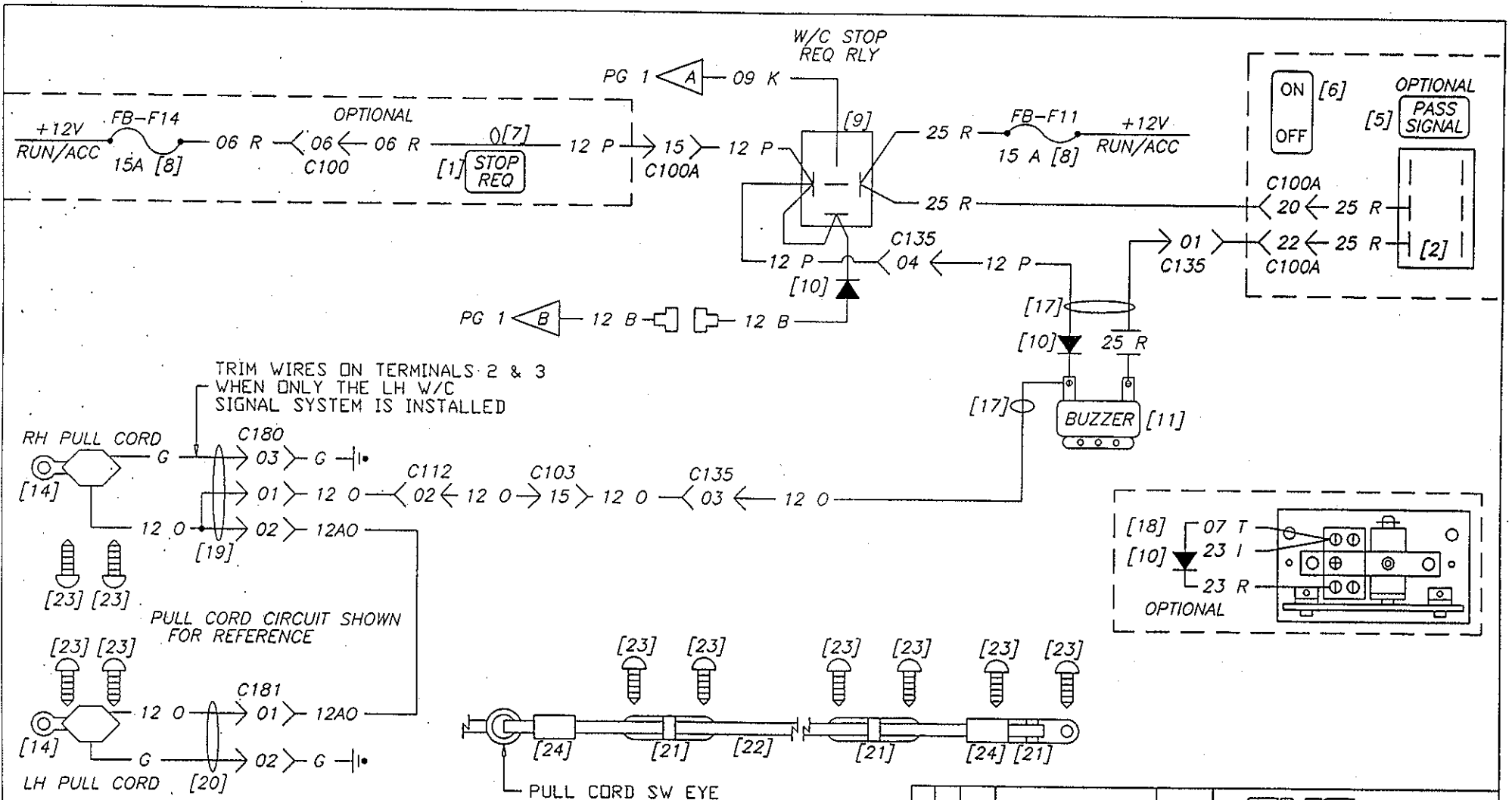
NOTE  
 1. NS - NOT SHOWN ON THIS DRAWING



NOTE  
 1. [Y] WHERE Y REFERS TO THE B.O.M. ITEM NUMBER.  
 2. ALL ELECTRICAL CHASSIS GROUND CONNECTIONS WILL USE STAR WASHERS.  
 3. ALL EXTERIOR WIRING CONNECTIONS WILL BE COVERED WITH MASTIC LINED HEAT SHRINK TUBING.

NEXT ASSY.: NONE								 304 AVENUE B 501 INDUSTRIAL AREA SALINA, KS. 67401	
SUPERCEDES: 0021793									
DO NOT SCALE DRAWING		- DWR 07/14/98		RELEASE TO PRODUCTION		03520		ELDERADO NATIONAL CO. A THOR INDUSTRIES COMPANY TITLE: ELECTRICAL, AT/AL/ATC PASSENGER TOUCH TAPE WITH BUZZER #7736	
MARK PART NUMBER AND REVISION ON ALL PARTS		REV.	BY	DATE	DESCRIPTION	DR NUMBER	MATERIAL SPEC. SEE B.O.M.		
THIS DRAWING IS THE PROPERTY OF ELDERADO NATIONAL COMPANY, A THOR INDUSTRIES COMPANY AND IS NOT TO BE DUPLICATED OR USED IN ANY WAY DETRIMENTAL TO THEIR BEST INTEREST.		TOLERANCE UNLESS SPECIFIED		DRAWING INFORMATION		PART NUMBER			
		FRACTIONS ± 1/16		DRAWN/REED/CRD:		0024849			
		DECIMALS .00 ± .06		DATE: 07/07/98		SCALE: 1=1			
		ANGLES ± 1 DEG.				PAGE 1 of 3			





**NOTE**

- [Y] WHERE Y REFERS TO THE B.O.M. ITEM NUMBER.
- ALL ELECTRICAL CHASSIS GROUND CONNECTIONS WILL USE STAR WASHERS.
- ALL EXTERIOR WIRING CONNECTIONS WILL BE COVERED WITH MASTIC LINED HEAT SHRINK TUBING.

NEXT ASSY.: NONE

SUPERCEDES: 0021793

DO NOT SCALE DRAWING

MARK PART NUMBER AND REVISION ON ALL PARTS

THIS DRAWING IS THE PROPERTY OF EL Dorado NATIONAL COMPANY, A THOR INDUSTRIES COMPANY AND IS NOT TO BE DUPLICATED OR USED IN ANY WAY DETRIMENTAL TO THEIR BEST INTEREST.

REV.	BY	DATE	DESCRIPTION	DR NUMBER
TOLERANCE UNLESS SPECIFIED			DRAWING INFORMATION	
FRACTIONS ± 1/16			DATE: 07/07/98	SCALE: 1=1
DECIMALS .00 ± .04			DRWNGS E E O CKD:	WATL SPEC: SEE B.O.M.
ANGLES ± 1 DEG.			DATE: 07/07/98	WATL SPEC: SEE B.O.M.
EL Dorado NATIONAL CO. A THOR INDUSTRIES COMPANY				304 AVENUE B SO. INDUSTRIAL AREA SALINA, KS. 67401
TITLE: ELECTRICAL, AT/AL/ATC PASSENGER TOUCH TAPE WITH BUZZER #7736				03520
PART NUMBER 0024849				PAGE 2 of 3

ITEM	QTY.	PART NO.	DESCRIPTION
1	1	70149	CHIP, INST PNL 'STOP REQ' ENG
2	1	68118	SWITCH, DPDT ON/ON BAT TOG
3	1	65317	LIGHT, AMBER INDICATOR
4	REF	0020396	ASM, STOP REQUESTED SIGN
5	1	70143	CHIP, INST PNL 'PASS SIGNAL' ENG
6	1	70170	CHIP, I/P 'ON OFF' ENG
7	REF	65316	LIGHT, RED INDICATOR
8	3	63069	FUSE, 15 A BLADE
9	REF	68323	RELAY, 12 VDC SPDT WITH MOUNT
10	1	60800	DIODE, 6A RECTIFIER
11	1	61441	BUZZER, DOOR AJAR (CH)
12	1	0019260	HARNESS, RIGHT PULLCORD
13	1	0019261	HARNESS, LEFT PULLCORD
14	REF	68280	SWITCH, PULLCORD
15	REF	68102	SWITCH, DPDT ENTRY DOOR ROLLER
16	1	0024829	HARNESS, 98 PASS STOP REQ
17	REF	0024830	HARNESS, 98 W/C STOP REQ
18	REF	61451	CHIME, ONE-SHOT
19	REF	0019416	HARNESS, ADA RIGHT PULL CORD
20	REF	0019417	HARNESS, ADA LEFT PULL CORD
21	REF	0016143	BRKT, PULL CORD
22	REF	31040	CABLE, 1/8" COATED
23	REF	116160	SCREW, SMS #8 X 3/4 PH PHIL
24	REF	37760	SLEEVE, 1/8" NICO PRESS
25	2	68404	ENDS, TAPE SW MOLDED TERMS YELLOW
26	1.00	68403	SWITCH, LINEAR TAPE SW YELLOW 50'/roll
27	REF	68409	CONN, CORNER TAPE SW YELLOW
28	REF	68406	CONN, TEE TAPESW YELLOW
29	9.00	68405	CHANNEL, ALUMINUM TAPE SW 6.00' ea
30	83	116310	SCREW, SMS #8 X 3/4 FH PHIL 10 ea/pc
31	8	116121	SCREW, SMS #8 X 1 PH PHIL BLK
32			
33			

NEXT ASSY.: NONE

SUPERCEDES: 0021793

DO NOT SCALE DRAWING

MARK PART NUMBER AND REVISION ON ALL PARTS

THIS DRAWING IS THE PROPERTY OF EL Dorado NATIONAL COMPANY, A THOR INDUSTRIES COMPANY AND IS NOT TO BE DUPLICATED OR USED IN ANY WAY DETRIMENTAL TO THEIR BEST INTEREST.

REV.	BY	DATE	DESCRIPTION	ER NUMBER
TOLERANCE UNLESS SPECIFIED			DRAWING INFORMATION	
FRACTIONS ± 1/16			DRAWN	CHKD
DECIMALS .00 ± .04			DATE: 07/07/98	SIZE: B
ANGLES ± 1 DEG.			SCALE: 1=1	WT:



304 AVENUE B  
50 INDUSTRIAL AREA  
SALINA, KS 67401

ELDORADO NATIONAL CO. A THOR INDUSTRIES COMPANY

TITLE:  
ELECTRICAL, AT/AL/ATC PASSENGER  
TOUCH TAPE WITH BUZZER #7736

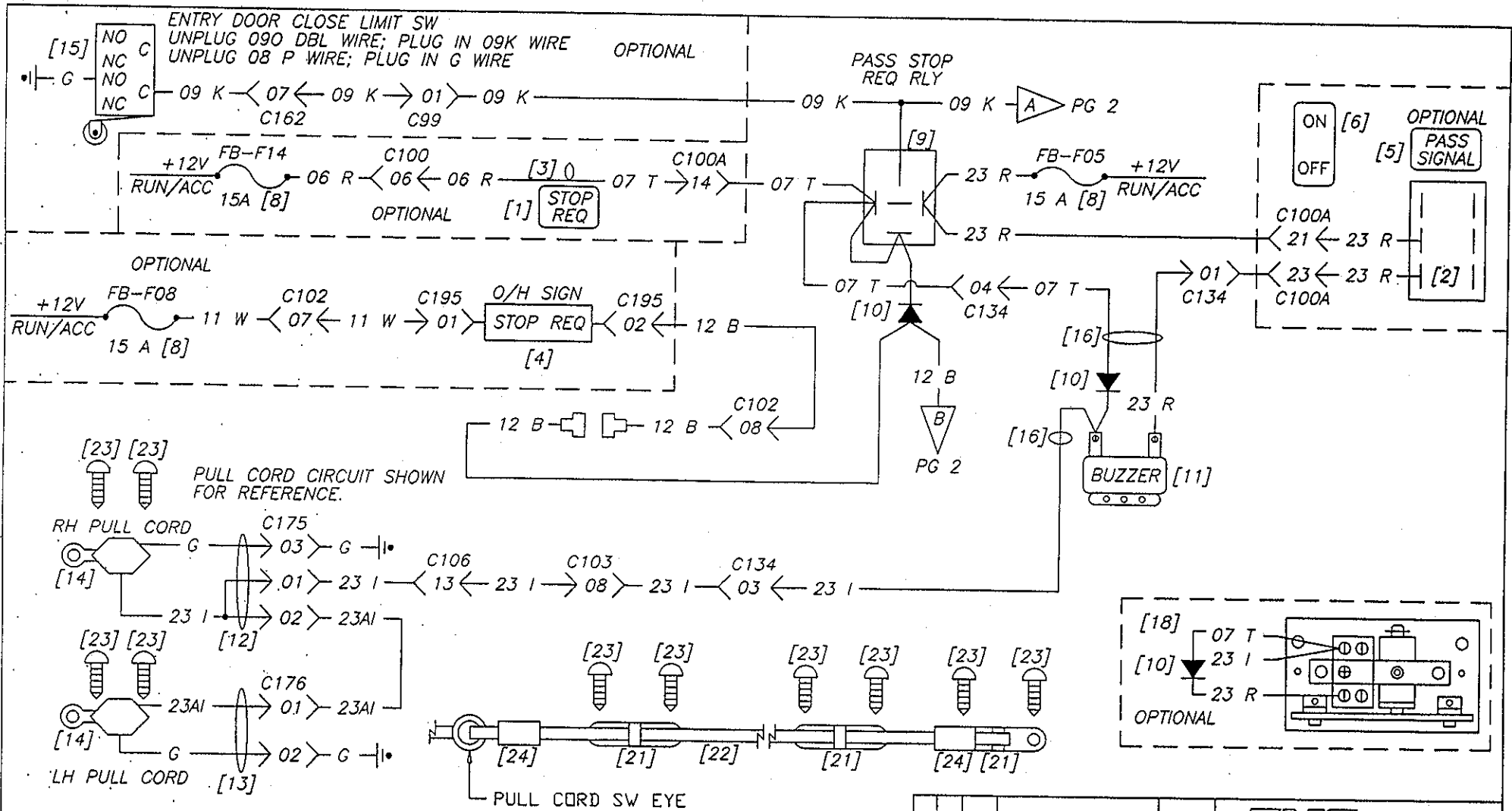
MATL SPEC.  
SEE B.O.M.

PART NUMBER  
0024849

PAGE  
3 of 3

NOTE

1. NS - NOT SHOWN ON THIS DRAWING



NOTE  
 1. [Y] WHERE Y REFERS TO THE B.O.M. ITEM NUMBER.  
 2. ALL ELECTRICAL CHASSIS GROUND CONNECTIONS WILL USE STAR WASHERS.  
 3. ALL EXTERIOR WIRING CONNECTIONS WILL BE COVERED WITH MASTIC LINED HEAT SHRINK TUBING.

NEXT ASSY.: NONE			
SUPERCEDES: 0021796			
DO NOT SCALE DRAWING	-	DWR 01/14/88	RELEASE TO PRODUCTION
MARK PART NUMBER AND REVISION ON ALL PARTS	REV.	BY	DATE
THIS DRAWING IS THE PROPERTY OF ELDERADO NATIONAL COMPANY, A THOR INDUSTRIES COMPANY AND IS NOT TO BE DUPLICATED OR USED IN ANY WAY DETRIMENTAL TO THEIR BEST INTEREST.		TOLERANCE UNLESS SPECIFIED	
FRACTIONS ± 1/16		DRAWING INFORMATION	
DECIMALS .00 ± .05		DATE: 07/08/88	SIZE: 9
ANGLES ± 1 DEG.		SCALE: 1=1	REV.

**ENC**  
 304 AVENUE B  
 501 INDUSTRIAL AREA  
 SALINA, KS. 67401

ELDERADO NATIONAL CO. A THOR INDUSTRIES COMPANY

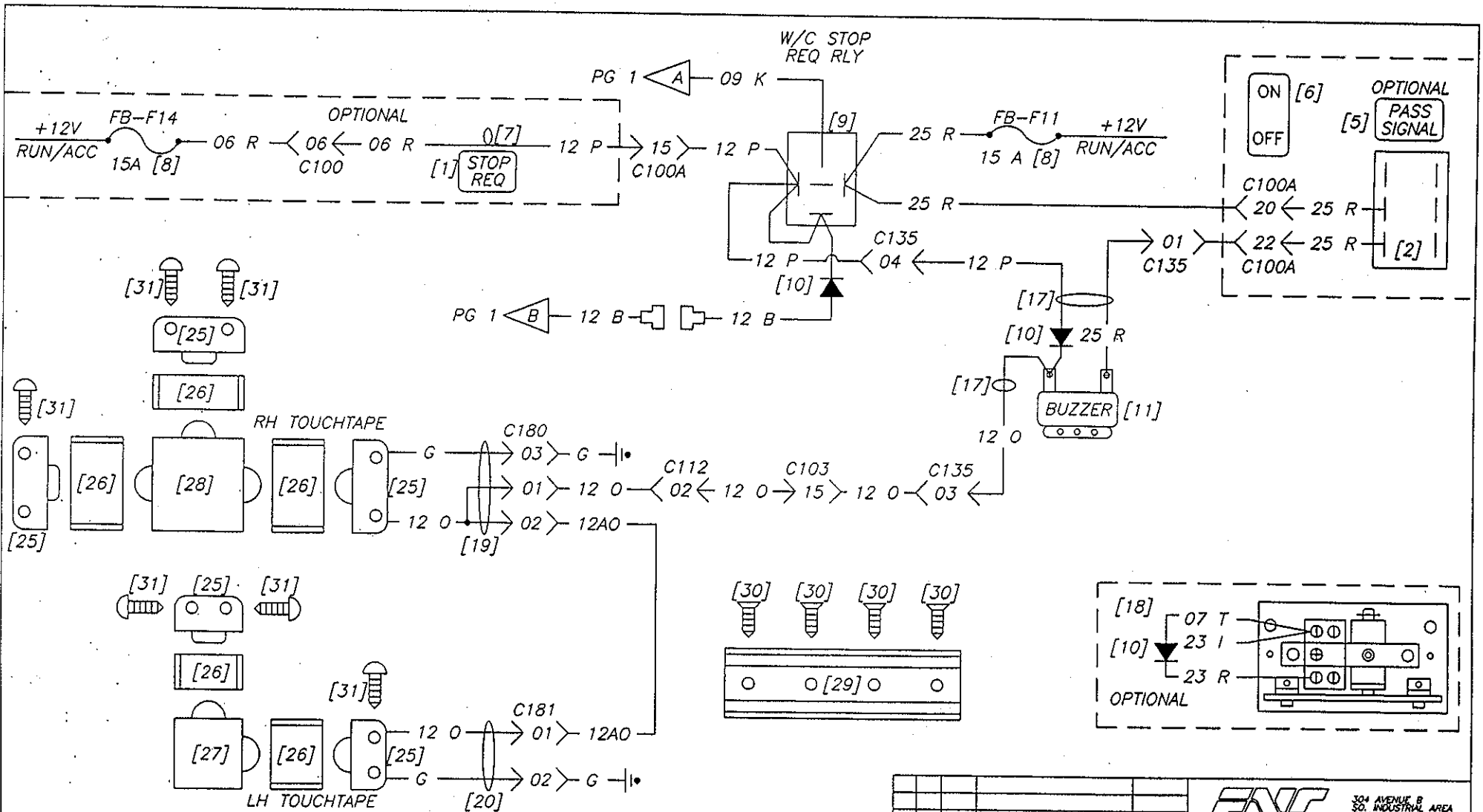
TITLE:  
 ELECTRICAL, AT/AL/ATC WHEELCHAIR TOUCH TAPE WITH BUZZER #7739

DR NUMBER: 03520

MAT'L SPEC:  
 SEE B.O.M.

PART NUMBER: 0024857

PAGE: 1 of 3



**NOTE**

1. [Y] WHERE Y REFERS TO THE B.O.M. ITEM NUMBER.
2. ALL ELECTRICAL CHASSIS GROUND CONNECTIONS WILL USE STAR WASHERS.
3. ALL EXTERIOR WIRING CONNECTIONS WILL BE COVERED WITH MASTIC LINED HEAT SHRINK TUBING.

NEXT ASSY.: NONE  
 SUPERCEDES: 0021796  
 DO NOT SCALE DRAWING - DWR 02/14/98 RELEASE TO PRODUCTION 03520  
 MARK PART NUMBER AND REVISION ON ALL PARTS  
 THIS DRAWING IS THE PROPERTY OF ELDOORADO NATIONAL COMPANY, A THOR INDUSTRIES COMPANY AND IS NOT TO BE DUPLICATED OR USED IN ANY WAY DETRIMENTAL TO THEIR BEST INTEREST.

REV.	BY	DATE	DESCRIPTION	ER NUMBER

**ENC** 304 AVENUE B  
 SO. INDUSTRIAL AREA  
 SALINA, KS. 67401

ELDOORADO NATIONAL CO., A THOR INDUSTRIES COMPANY

TITLE:  
 ELECTRICAL, AT/AL/ATC WHEELCHAIR TOUCH TAPE WITH BUZZER #7739

DATE: 07/08/98  
 SCALE: 1=1

PART NUMBER: 0024857

PAGE: 2 of 3

ITEM	QTY.	PART NO.	DESCRIPTION
1	1	70149	CHIP, INST PNL 'STOP REQ' ENG
2	1	68118	SWITCH, DPDT ON/ON BAT TOG
3	REF	65317	LIGHT, AMBER INDICATOR
4	REF	0020396	ASM, STOP REQUESTED SIGN
5	1	70143	CHIP, INST PNL 'PASS SIGNAL' ENG
6	1	70170	CHIP, I/P 'ON OFF' ENG
7	1	65316	LIGHT, RED INDICATOR
8	3	63069	FUSE, 15 A BLADE
9	REF	68323	RELAY, 12 VDC SPDT WITH MOUNT
10	1	60800	DIODE, 6A RECTIFIER
11	1	61441	BUZZER, DOOR AJAR (CH)
12	REF	0019260	HARNESS, RIGHT PULLCORD
13	REF	0019261	HARNESS, LEFT PULLCORD
14	REF	68280	SWITCH, PULLCORD
15	REF	68102	SWITCH, DPDT ENTRY DOOR ROLLER
16	REF	0024829	HARNESS, 98 PASS STOP REQ
17	1	0024830	HARNESS, 98 W/C STOP REQ
18	REF	61451	CHIME, ONE-SHOT
19	1	0019416	HARNESS, ADA RIGHT PULL CORD
20	1	0019417	HARNESS, ADA LEFT PULL CORD
21	REF	0016143	BRKT, PULL CORD
22	REF	31040	CABLE, 1/8" COATED
23	REF	116160	SCREW, SMS #8 X 3/4 PH PHIL
24	REF	37760	SLEEVE, 1/8" NICRO PRESS
25	1	68404	ENDS, TAPE SW MOLDED TERMS YELLOW
26	0.20	68403	SWITCH, LINEAR TAPE SW YELLOW
27	REF	68409	CONN, CORNER TAPE SW YELLOW
28	REF	68406	CONN, TEE TAPE SW YELLOW
29	2.00	68405	CHANNEL, ALUMINUM TAP SW 6.00'/pc
30	20	116310	SCREW, SMS #8 X 3/4 FH PHIL 10 ea/pc
31	4	116121	SCREW, SMS #8 X 1 PH PHIL BLK
32			
33			

NEXT ASSY.: NONE

SUPERCEDES: 0021796

DO NOT SCALE DRAWING

MARK PART NUMBER AND REVISION ON ALL PARTS

THIS DRAWING IS THE PROPERTY OF EL Dorado NATIONAL COMPANY, A THOR INDUSTRIES COMPANY AND IS NOT TO BE DUPLICATED OR USED IN ANY WAY DETRIMENTAL TO THEIR BEST INTEREST.

REV.	BY	DATE	DESCRIPTION	DR NUMBER
TOLERANCE UNLESS SPECIFIED			DRAWING INFORMATION	
FRACTIONS ± 1/16			DATE: 07/08/98	SCALE: 1=1
DECIMALS .00 ± .08			DRW: FRED	CKD:
ANGLES ± 1 DEG.			DATE: 07/08/98	SIZE: B
			SCALE: 1=1	WT:
			MATERIAL SPEC. SEE B.O.M.	
			PART NUMBER 0024857	
			PAGE 3 of 3	



304 AVENUE B  
501 INDUSTRIAL AREA  
SALINA, KS 67401

ELDORADO NATIONAL CO. A THOR INDUSTRIES COMPANY

TITLE:  
ELECTRICAL, AT/AL/ATC WHEELCHAIR  
TOUCH TAPE WITH BUZZER #7739

NOTE  
1. NS - NOT SHOWN ON THIS DRAWING