

LEGEND and COLOR CODES table defining symbols for diodes, fuses, switches, and wire colors.

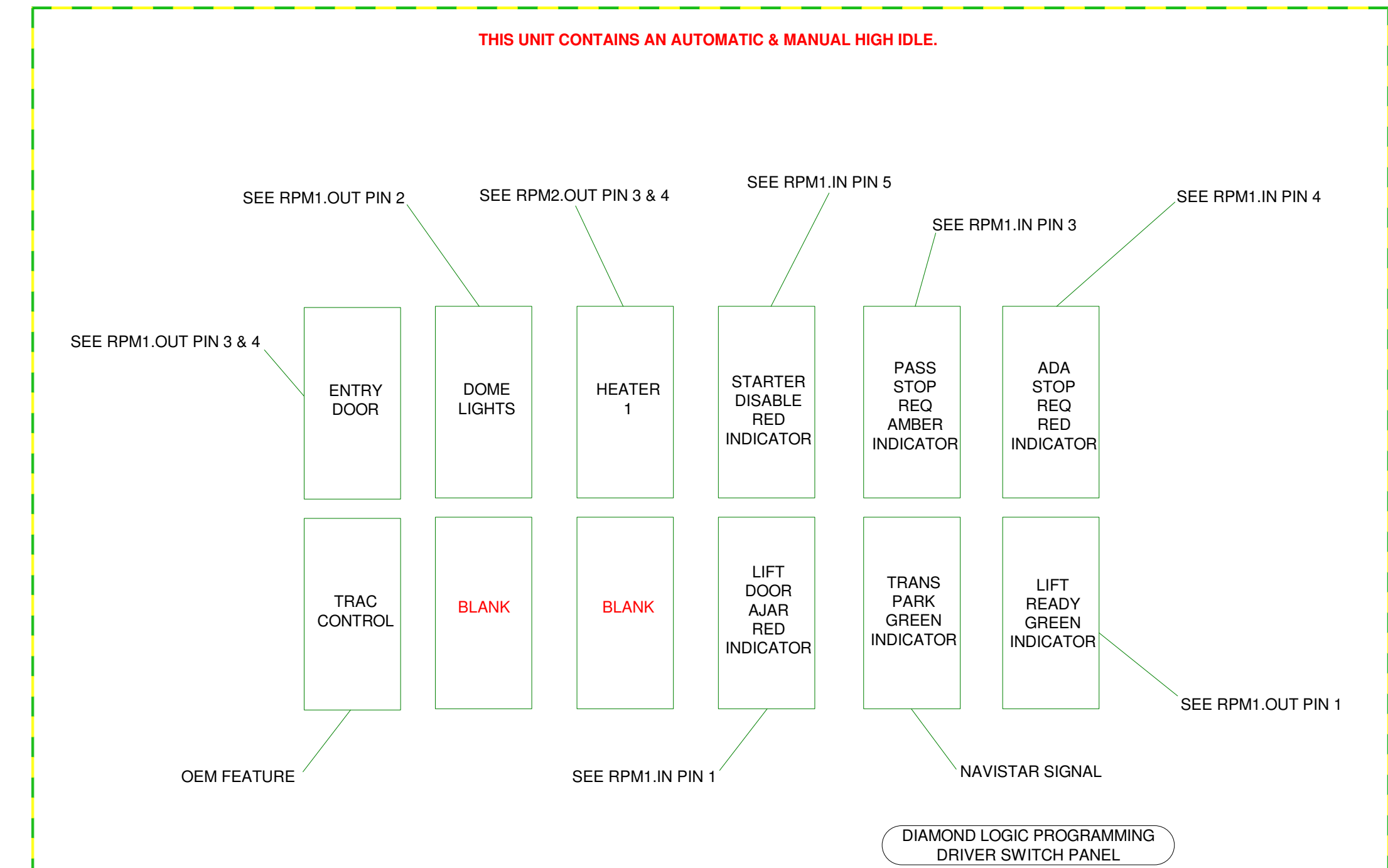
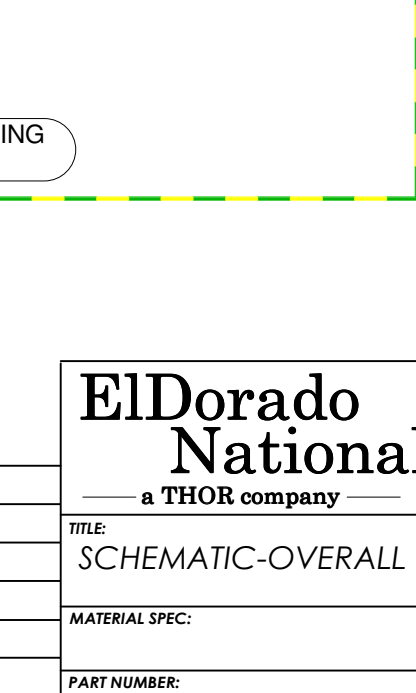
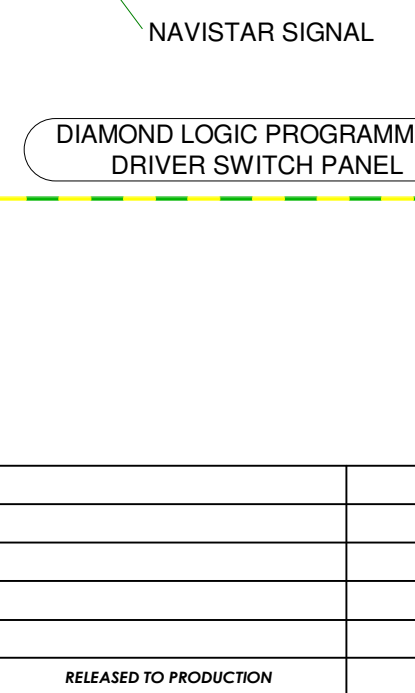
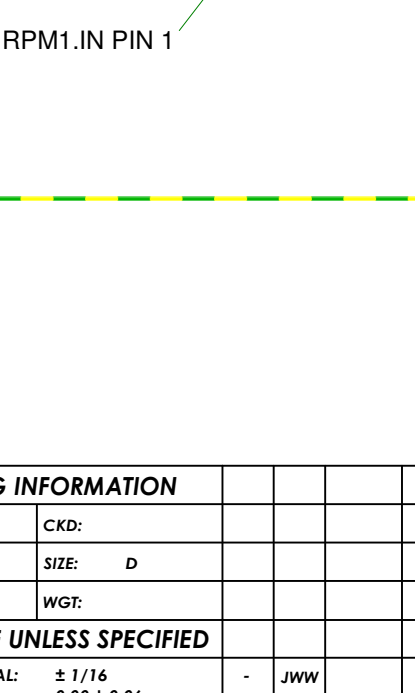
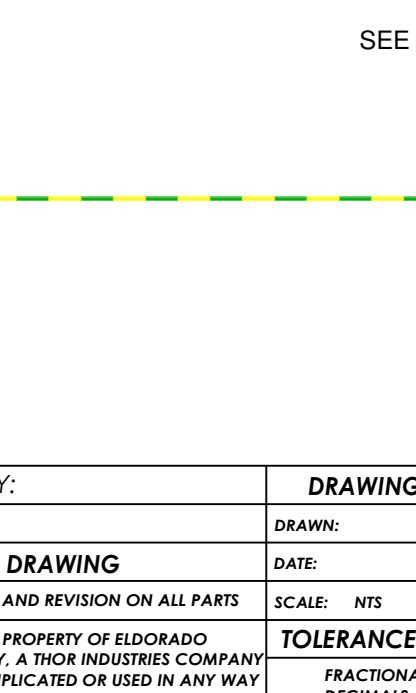
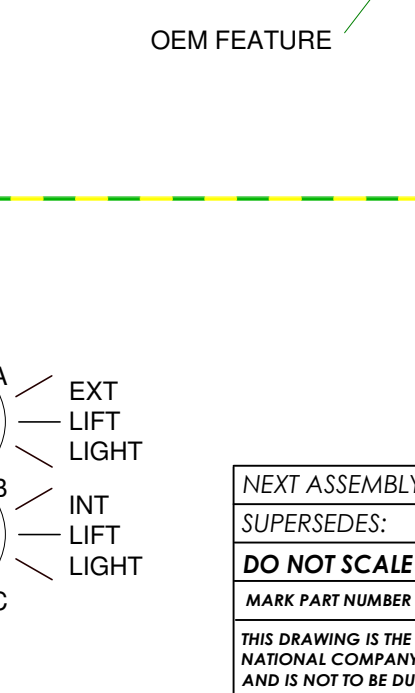
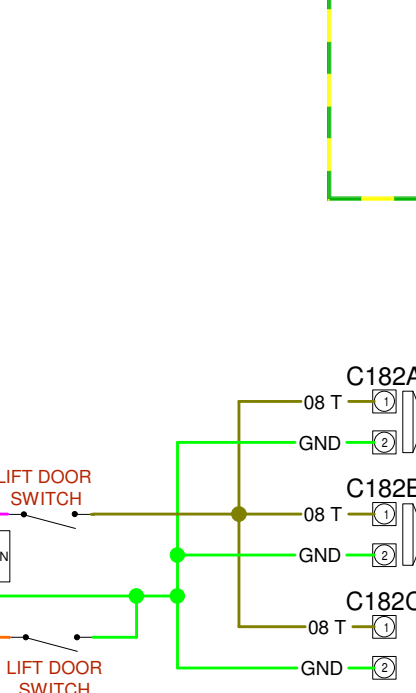
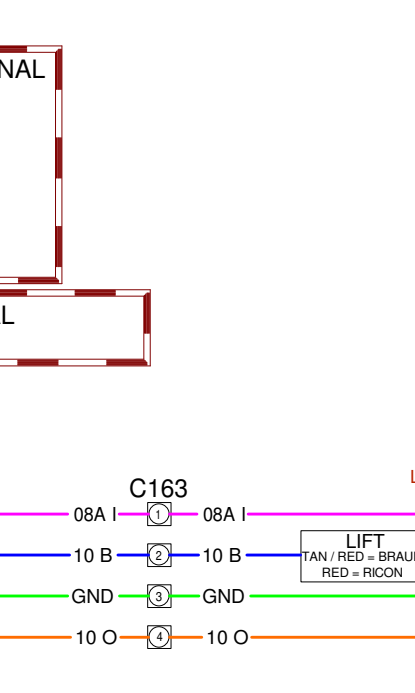
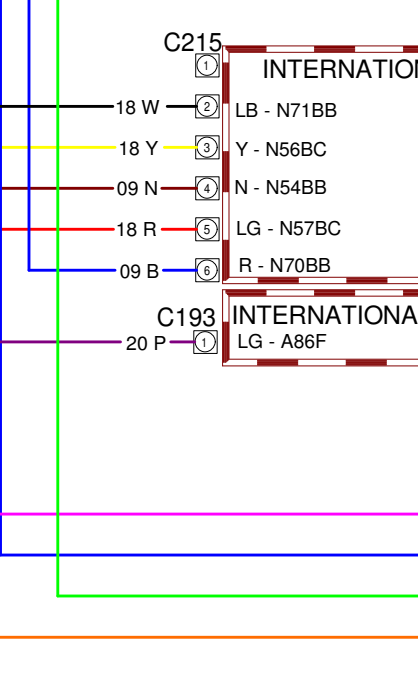
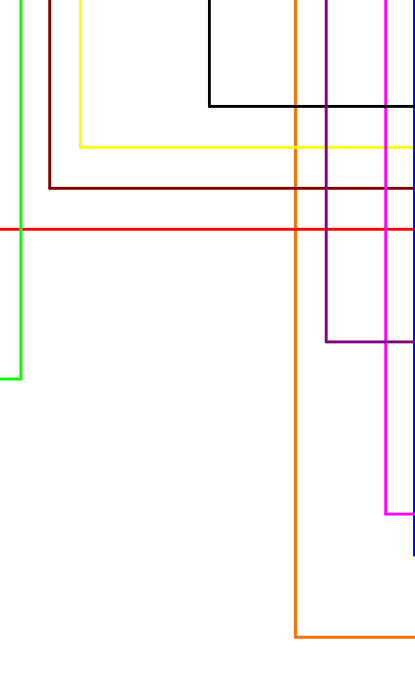
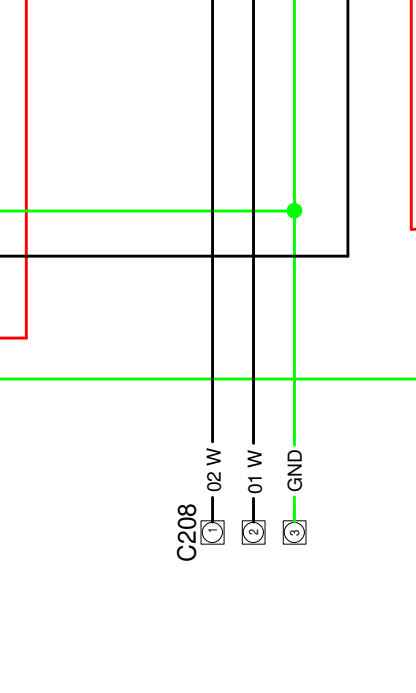
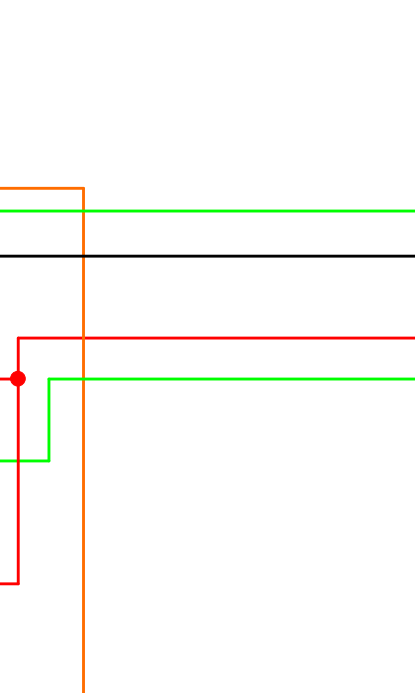
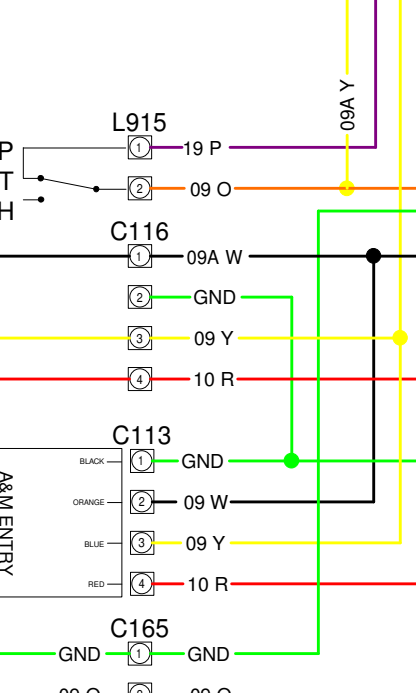
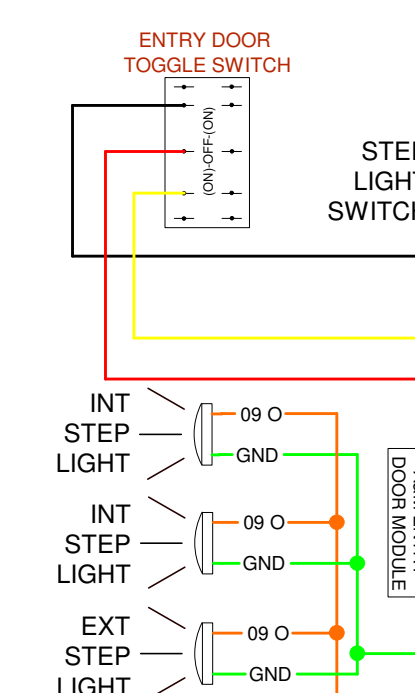


Table with columns for NEXT ASSEMBLY, SUPERSEDES, DRAWING INFORMATION, and TOLERANCE UNLESS SPECIFIED.

EIDorado National logo and company information, including address and contact details.