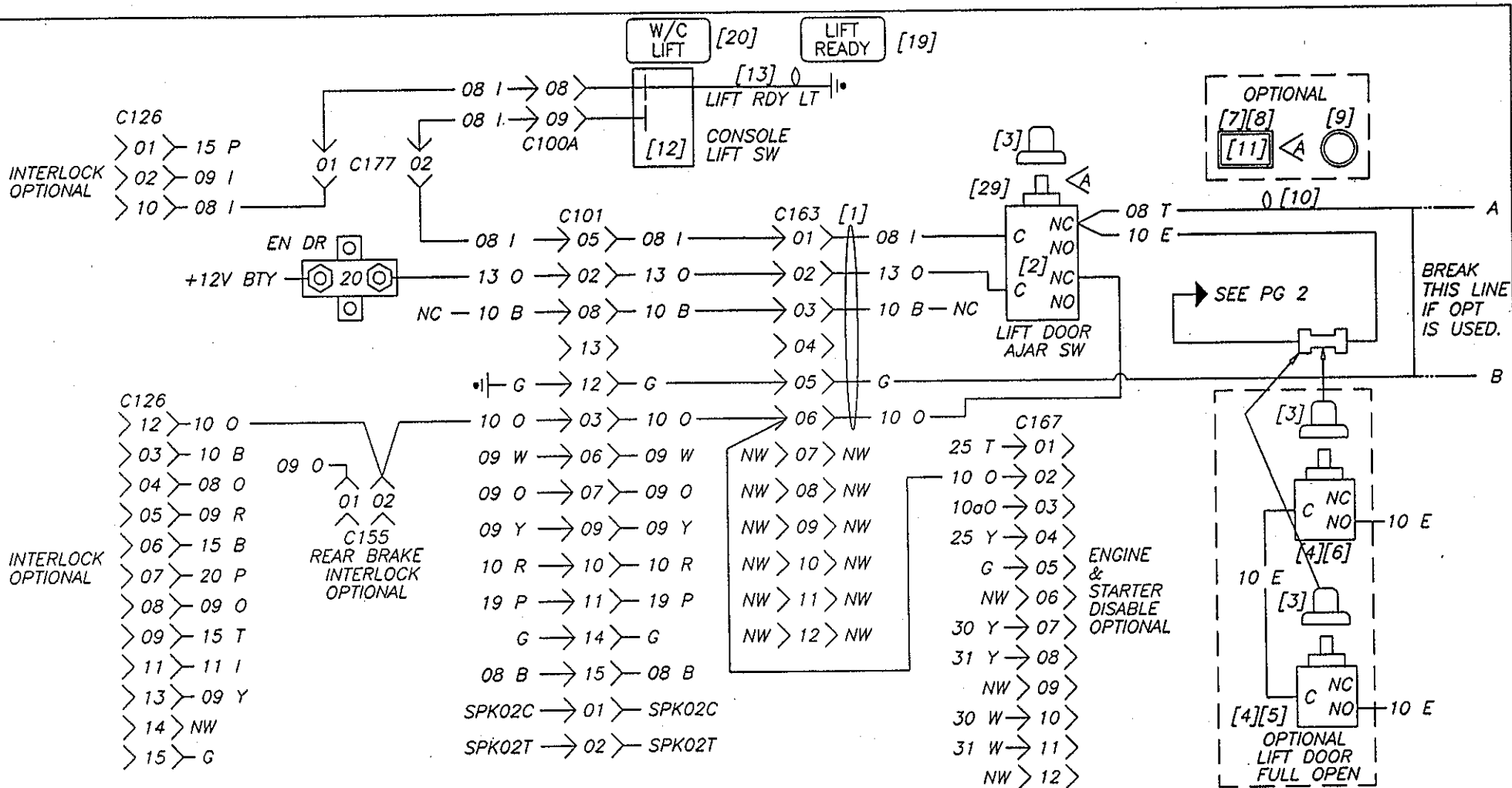


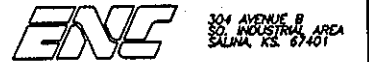
## **SECTION 9 - LIFT CIRCUITS**

0023191	SCHEMATIC, '97 AT/AL LIFT CIRCUIT
0023097	SCHEMATIC, UNDER FRAME LIFT INTERLOCK
0024560	BUZZER/LIGHT, '98 AT/AL LIFT DOOR (NY ONLY)
0021361	SCHEMATIC, 2" CIRC. RED LIFT DOOR AJAR LIGHT
0023559	SCHEMATIC, '97 LIFT DOOR BUZZER/LIGHT
0023558	SCHEMATIC, '97 LIFT DOOR BUZZER
0022594	SCHEMATIC, LIFT DOOR AJAR INTERIOR STROBE LIGHT
0023043	ASM, LIFT DOOR OVERHEAD SWITCH
0024176	WHEELCHAIR RESTRAINT, EZ LOCK PREWIRE

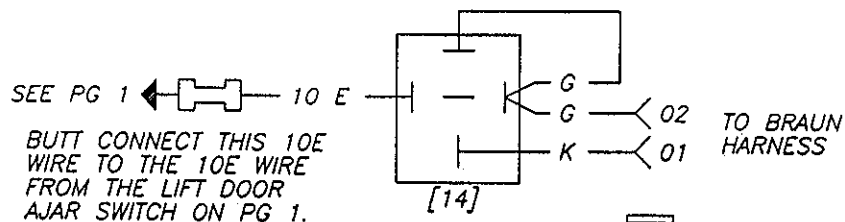


- NOTE**
- [Y] WHERE Y REFERS TO THE B.O.M. ITEM NUMBER.
  - ALL ELECTRICAL CHASSIS GROUND CONNECTIONS WILL USE STAR WASHERS.
  - ALL EXTERIOR WIRING CONNECTIONS WILL BE COVERED WITH MASTIC LINED HEAT SHRINK TUBING.
  - NC - NOT CONNECTED; NW - NO WIRE
  - B.O.M. # 16, 17, & 18 ARE EXTENSION HARNESSSES THAT ARE USED WHEN THE LIFT IS IN THE REAR OF THE BUS. THEY ARE PLUGGED IN AT CONNECTOR C163.

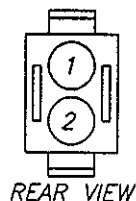
NEXT ASSY.: NONE		C JHW 6/2/88 ADDED OPT RELAY 03451																										
SUPERCEDES: 0022648		B BJM 5/12/88 ADDED NOTES 03392																										
DO NOT SCALE DRAWING		A DWR 08/18/91 CHGD TO O/H LIFT 02667																										
MARK PART NUMBER AND REVISION ON ALL PARTS		- DWR 11/04/96 RELEASE TO PRODUCTION 01957																										
THIS DRAWING IS THE PROPERTY OF EL Dorado NATIONAL COMPANY, A THOR INDUSTRIES COMPANY AND IS NOT TO BE DUPLICATED OR USED IN ANY WAY DETRIMENTAL TO THEIR BEST INTEREST.		<table border="1"> <tr> <th>REV.</th> <th>BY</th> <th>DATE</th> <th>DESCRIPTION</th> <th>ER NUMBER</th> </tr> <tr> <td>C</td> <td>JHW</td> <td>6/2/88</td> <td>ADDED OPT RELAY</td> <td>03451</td> </tr> <tr> <td>B</td> <td>BJM</td> <td>5/12/88</td> <td>ADDED NOTES</td> <td>03392</td> </tr> <tr> <td>A</td> <td>DWR</td> <td>08/18/91</td> <td>CHGD TO O/H LIFT</td> <td>02667</td> </tr> <tr> <td>-</td> <td>DWR</td> <td>11/04/96</td> <td>RELEASE TO PRODUCTION</td> <td>01957</td> </tr> </table>		REV.	BY	DATE	DESCRIPTION	ER NUMBER	C	JHW	6/2/88	ADDED OPT RELAY	03451	B	BJM	5/12/88	ADDED NOTES	03392	A	DWR	08/18/91	CHGD TO O/H LIFT	02667	-	DWR	11/04/96	RELEASE TO PRODUCTION	01957
REV.	BY	DATE	DESCRIPTION	ER NUMBER																								
C	JHW	6/2/88	ADDED OPT RELAY	03451																								
B	BJM	5/12/88	ADDED NOTES	03392																								
A	DWR	08/18/91	CHGD TO O/H LIFT	02667																								
-	DWR	11/04/96	RELEASE TO PRODUCTION	01957																								
TOLERANCE UNLESS SPECIFIED		DRAWING INFORMATION																										
FRACTIONS ± 1/16		DRAWN BY E.E.C. CRJ.																										
DECIMALS .00 ± .06		DATE 10/19/96																										
ANGLES ± 1 DEG.		SCALE 1=1																										
		MATERIAL SPEC SEE B.O.M.																										
		PART NUMBER 0023191																										
		PAGE 1 OF 3																										



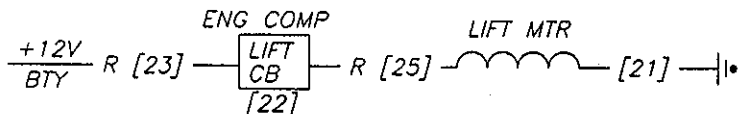
OPTIONAL  
BRAUN LIFT INTERLOCK CIRCUIT  
LOCATION: LIFT CONTROL PNL



UNPLUG THE 2-CIRCUIT CONNECTOR IN THE LIFT CONTROL PANEL AND PLUG THIS 2-CIRCUIT CONNECTOR IN ITS PLACE.



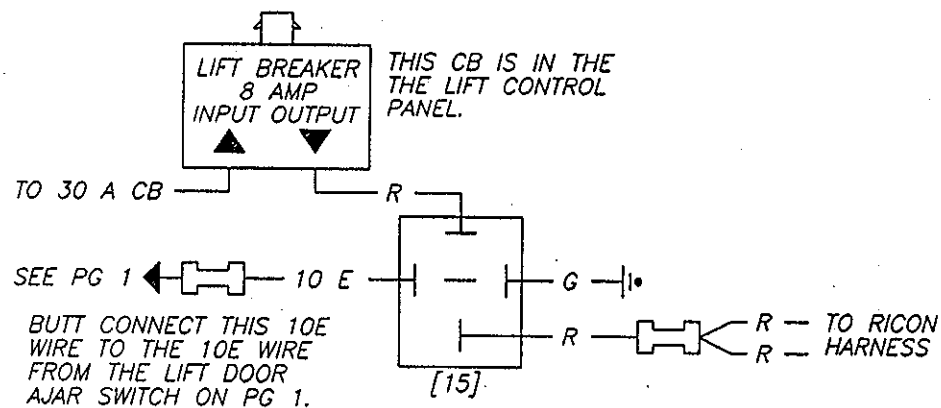
REAR VIEW



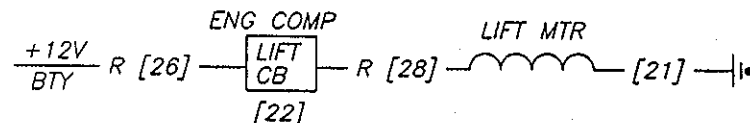
NOTE:

- 1) L211 LIFT G WIRE TO PIN 2 & K WIRE TO PIN 1.
- 2) L913 LIFT G WIRE TO PIN 1 & K WIRE TO PIN 2.

OPTIONAL  
RICON LIFT INTERLOCK CIRCUIT  
LOCATION: LIFT CONTROL PNL




BUTT CONNECT THIS 10E WIRE TO THE 10E WIRE FROM THE LIFT DOOR AJAR SWITCH ON PG 1.

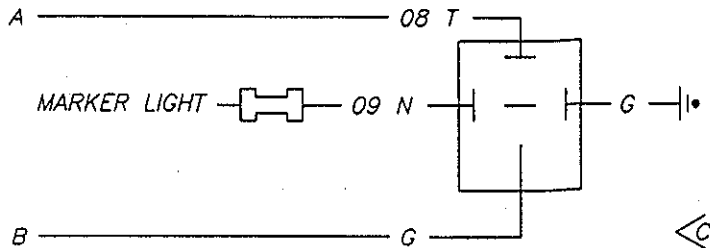


NOTE

1. [Y] WHERE Y REFERS TO THE B.O.M. ITEM NUMBER.
2. ALL ELECTRICAL CHASSIS GROUND CONNECTIONS WILL USE STAR WASHERS.
3. ALL EXTERIOR WIRING CONNECTIONS WILL BE COVERED WITH MASTIC LINED HEAT SHRINK TUBING.
4. NC - NOT CONNECTED; NW - NO WIRE
5. B.O.M. # 16, 17, & 18 ARE EXTENSION HARNESSSES THAT ARE USED WHEN THE LIFT IS IN THE REAR OF THE BUS. THEY ARE PLUGGED IN AT CONNECTOR C163.

REV.	BY	DATE	DESCRIPTION	ER NUMBER	MAT'L SPEC.
C	JHW	6/2/96	ADDED OPT RELAY	03451	 304 AVENUE B SO. INDUSTRIAL AREA SALINA, KS. 67401  ELDORADO NATIONAL CO. A THOR INDUSTRIES COMPANY  TITLE: SCHEMATIC, 97 AT/AL LIFT CIRCUIT
B	BJM	3/12/96	ADDED NOTES	03392	
A	DWR	04/18/94	CHG TO 07N LIFT DOOR SW ASM	02667	
-	DWR	11/04/90	RELEASE TO PRODUCTION	01957	
NEXT ASSY.: NONE					
SUPERCEDES: 0022648					
DO NOT SCALE DRAWING					
MARK PART NUMBER AND REVISION ON ALL PARTS					
THIS DRAWING IS THE PROPERTY OF ELDORADO NATIONAL COMPANY, A THOR INDUSTRIES COMPANY AND IS NOT TO BE DUPLICATED OR USED IN ANY WAY DETRIMENTAL TO THEIR BEST INTEREST.					
TOLERANCE UNLESS SPECIFIED			DRAWING INFORMATION		PART NUMBER 0023191
FRACTIONS ± 1/16			DRAWN BY: [initials] CKD:		
DECIMALS .00 ± .06			DATE: 10/15/96 SIZE: B		
ANGLES ± 1 DEG.			SCALE: 1=1		PAGE 2 of 3

OPTIONAL...FOR USE WITH LIFT LIGHT TO ONLY OPERATE WHEN PARKING LIGHTS ARE ON.



ITEM	QTY.	PART NO.	DESCRIPTION
1	1	0019447	HARNESS, 92 1/2 WC DOOR
2	REF	0001747	SWITCH, MICRO DPDT PUSHBUTTON
3	REF	67677	BOOT, SILICON RUBBER FOR PB SW
4	REF	68400	SWITCH, MICRO SPDT PUSHBUTTON
5	REF	0020486	BRKT, W/C DOOR FRT FULL OPEN SWITCH
6	REF	0020482	BRKT, W/C DOOR REAR FULL OPEN SWITCH
7	REF	63891	LIGHT, RECT W/C DOOR
8	REF	0017955	HOOD, LIFT LIGHT ADA
9	REF	0011226	LIGHT, SEALED BEAM #64111
10	1	64801	LIGHT, WHITE PATIO
11	REF	0023493	ASM, SKIRT MOUNT RECT LIFT DOOR LT
12	1	0001086	SWITCH, SPDT ON/OFF D-TOG
13	1	65315	LIGHT, GREEN INDICATOR
14	1	0022269	HARNESS, LIFT INTERLOCK RELAY (BRAUN)
15	REF	0022270	HARNESS, LIFT INTERLOCK RELAY (RICON)
16	REF	0019449	HARNESS, 92 1/2 W/C DOOR EXT 220
17	REF	0019450	HARNESS, 92 1/2 W/C DOOR EXT 240
18	REF	0019448	HARNESS, 92 1/2 W/C DOOR EXT 280
19	1	70153	CHIP, INST PNL 'LIFT READY' ENG
20	1	70131	CHIP, INST PNL 'W/C LIFT' ENG
21	1	0023193	HARNESS, 97 AT/AL LIFT GROUND
22	1	0022961	BRKT, LIFT CB
23	1	0023194	HARNESS, 97 AT/AL BTY TO LIFT CB (BRAUN)
24	REF	0023195	HARNESS, 97 AT/AL FRT LIFT (BRAUN)
25	1	0023196	HARNESS, 97 AT/AL REAR LIFT (BRAUN)
26	REF	0023197	HARNESS, 97 AT/AL BTY TO LIFT CB (RICON)
27	REF	0023198	HARNESS, 97 AT/AL FRT LIFT (RICON)
28	REF	0023199	HARNESS, 97 AT/AL REAR LIFT (RICON)
29	1	0023043	ASM, LIFT DOOR O/H SW
30	1	68323	RELAY, AUTOMOTIVE

NS

△A

NS

NS


NS

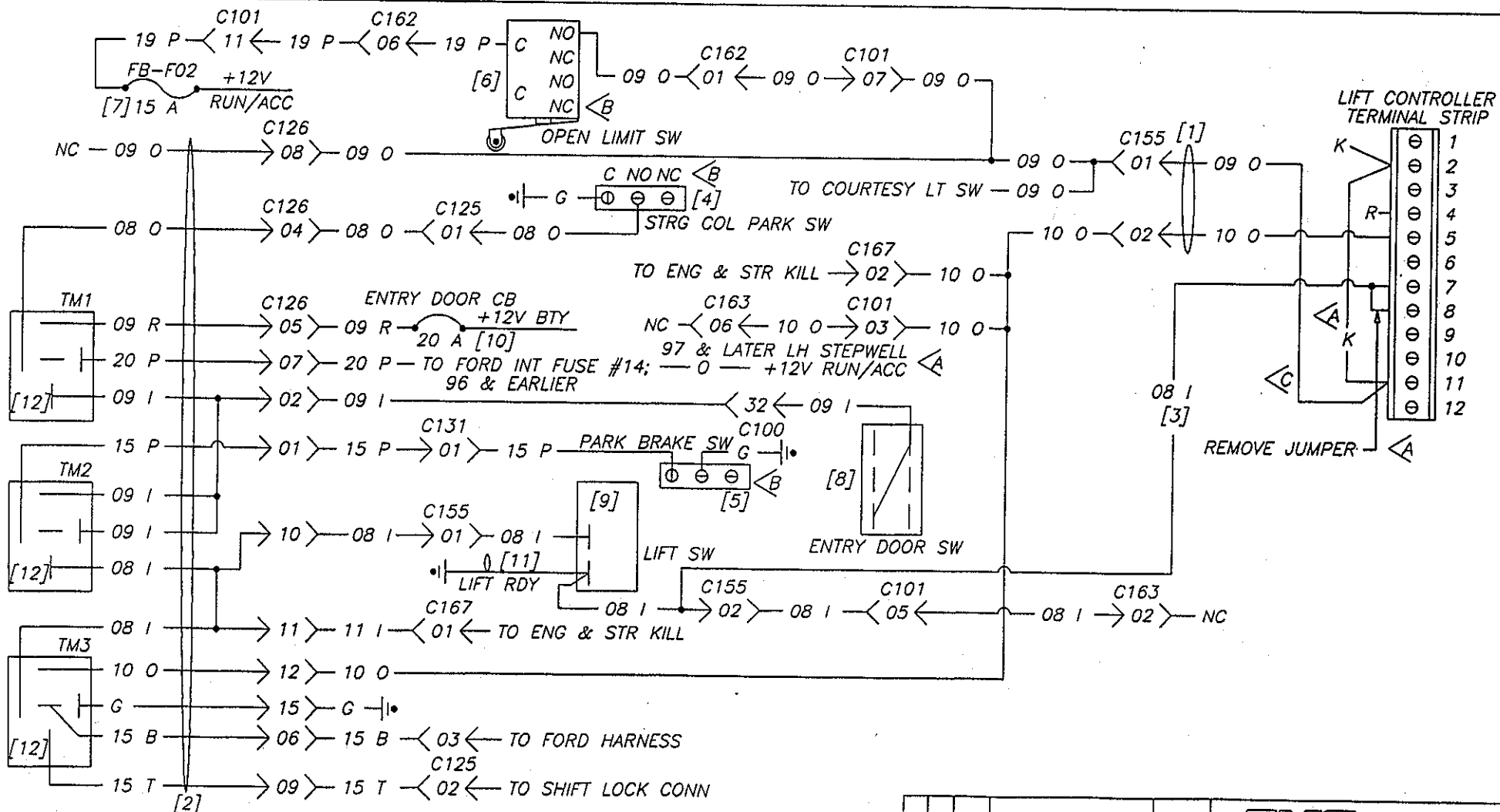
NS

△A

△C

NOTE  
1. NS - NOT SHOWN ON THIS DRAWING

C		JWW 6/2/96	ADDED OPT RELAY	03451	 304 AVENUE B SO. INDUSTRIAL AREA SALINA, KS. 67401  ELDOorado NATIONAL CO. A THOR INDUSTRIES COMPANY
B		BJM 5/12/96	ADDED NOTES	03392	
A		DWR 04/14/91	CHGD TO O/H LIFT 8002 SW ASM	02687	
-		DWR 11/04/90	RELEASE TO PRODUCTION	01857	
DO NOT SCALE DRAWING		MARK PART NUMBER AND REVISION ON ALL PARTS			TITLE: SCHEMATIC, 97 AT/AL LIFT CIRCUIT
REV. BY DATE		DESCRIPTION			DR NUMBER
THIS DRAWING IS THE PROPERTY OF ELDOorado NATIONAL COMPANY, A THOR INDUSTRIES COMPANY AND IS NOT TO BE DUPLICATED OR USED IN ANY WAY DETRIMENTAL TO THEIR BEST INTEREST.		TOLERANCE UNLESS SPECIFIED			DRAWING INFORMATION
		FRACTIONS ± 1/16 DECIMALS .00 ± .06 ANGLES ± 1 DEG.			DRAWN: F. E. D. DATE: 10/13/96 SCALE: 1=1
		MATERIAL SPEC. SEE B.O.M.			PART NUMBER 0023191
					PAGE 3 of 3



**NOTE**

1. [Y] WHERE Y REFERS TO THE B.O.M. ITEM NUMBER.
2. ALL ELECTRICAL CHASSIS GROUND CONNECTIONS WILL USE STAR WASHERS.
3. ALL EXTERIOR WIRING CONNECTIONS WILL BE COVERED WITH MASTIC LINED HEAT SHRINK TUBING.
4. NC - NO CONNECTION

NEXT ASSY.: NONE  
 SUPERCEDES: NONE  
**DO NOT SCALE DRAWING**  
 MARK PART NUMBER AND REVISION ON ALL PARTS

THIS DRAWING IS THE PROPERTY OF ELDOORADO NATIONAL COMPANY, A THOR INDUSTRIES COMPANY AND IS NOT TO BE DUPLICATED OR USED IN ANY WAY DETRIMENTAL TO THEIR BEST INTEREST.

REV.	BY	DATE	DESCRIPTION	OR NUMBER
C	BJM	3/15/96	MOVED 09 0 TO DIFFERENT TERM	03265
B	JWW	8/13/91	CHG STRG COL SW ASM	02667
A	DWR	07/14/91	CHG PARK BRAKE SW ASM ADD JUMPER TO LIFT TERM BLK	02578
-	DWR	08/13/96	RELEASE TO PRODUCTION	01880


TOLERANCE UNLESS SPECIFIED		DRAWING INFORMATION	
FRACTIONS ± 1/16	DECIMALS .00 ± .06	DATE: 09/12/96	SIZE: B
ANGLES ± 1 DEG.		SCALE: 1=1	WT:

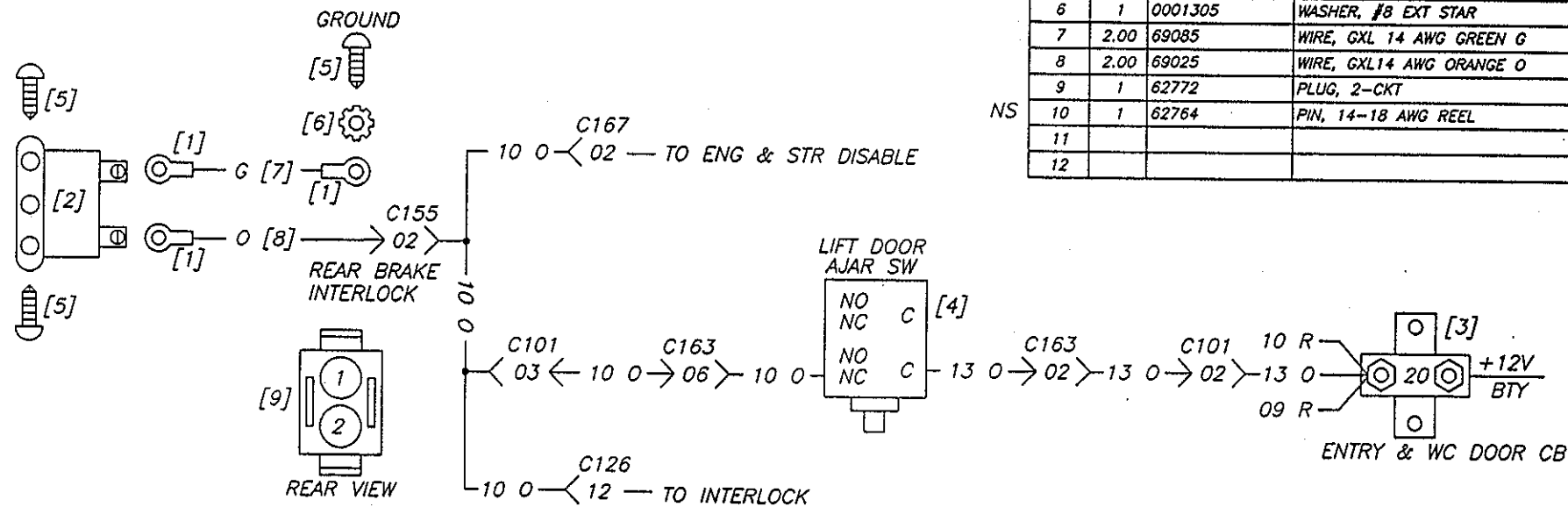
		304 AVENUE B 501 INDUSTRIAL AREA SALINA, KS. 67401	
ELDOORADO NATIONAL CO. A THOR INDUSTRIES COMPANY			
TITLE: SCHEMATIC, UNDER FRAME LIFT INTERLOCK			
MATERIAL SPEC. SEE B.O.M.			
PART NUMBER		PAGE	
0023097		1 of 2	

ITEM	QTY.	PART NO.	DESCRIPTION
1	1	0023098	HARNES, UNDER FRAME LIFT
2	1	0021398	HARNES, ADA/HERTZ INTERLOCK
3	4.00	69010	WIRE, GXL 14 AWG PINK DBI 1 @ 48.00"
4	1	0023634	STEERING COLUMN PARK SW, 97 ASM AT/AL
5	1	0023979	ASM, 97 FORD PARK BRAKE SW
6	REF	0023115	ENTRY DOOR ROLLER SWITCH ASM
7	REF	63069	FUSE, 15A BLADE
8	1	68069	SWITCH, DPDT MOM ON/OFF/MOM ON BAT TOG
9	1	0001086	SWITCH, SPST ON/OFF D-TOG
10	REF	0000612	BREAKER, 20A AUTORST CROSSMNT
11	1	65315	LIGHT, GREEN INDICATOR
12	REF	68323	RELAY, 12VDC SPDT WITH MOUNT
13			

B  
 B  
 B  
 A

- NOTE
- [Y] WHERE Y REFERS TO THE B.O.M. ITEM NUMBER.
  - ALL ELECTRICAL CHASSIS GROUND CONNECTIONS WILL USE STAR WASHERS.
  - ALL EXTERIOR WIRING CONNECTIONS WILL BE COVERED WITH MASTIC LINED HEAT SHRINK TUBING.
  - NS - NOT SHOWN ON THIS DRAWING


NEXT ASSY.: NONE		SUPERCEDES: NONE		DO NOT SCALE DRAWING		MARK PART NUMBER AND REVISION ON ALL PARTS		 304 AVENUE B SO. INDUSTRIAL AREA SALINA, KS 67401	
REV.	BY	DATE	DESCRIPTION	ER NUMBER	ELDORADO NATIONAL CO. A THOR INDUSTRIES COMPANY TITLE: SCHEMATIC, UNDER FRAME LIFT INTERLOCK MATL. SPEC. SEE B.O.M.				
THIS DRAWING IS THE PROPERTY OF ELDORADO NATIONAL COMPANY, A THOR INDUSTRIES COMPANY AND IS NOT TO BE DUPLICATED OR USED IN ANY WAY DETRIMENTAL TO THEIR BEST INTEREST.			TOLERANCE UNLESS SPECIFIED FRACTIONS ± 1/16 DECIMALS .00 ± .00 ANGLES ± 1 DEG.		DRAWING INFORMATION DRAWN: PEE/CO CKD: DATE: 08/12/96 SIZE: B SCALE: 1=1 WT:		PART NUMBER <b>0023097</b>		PAGE <b>2 of 2</b>

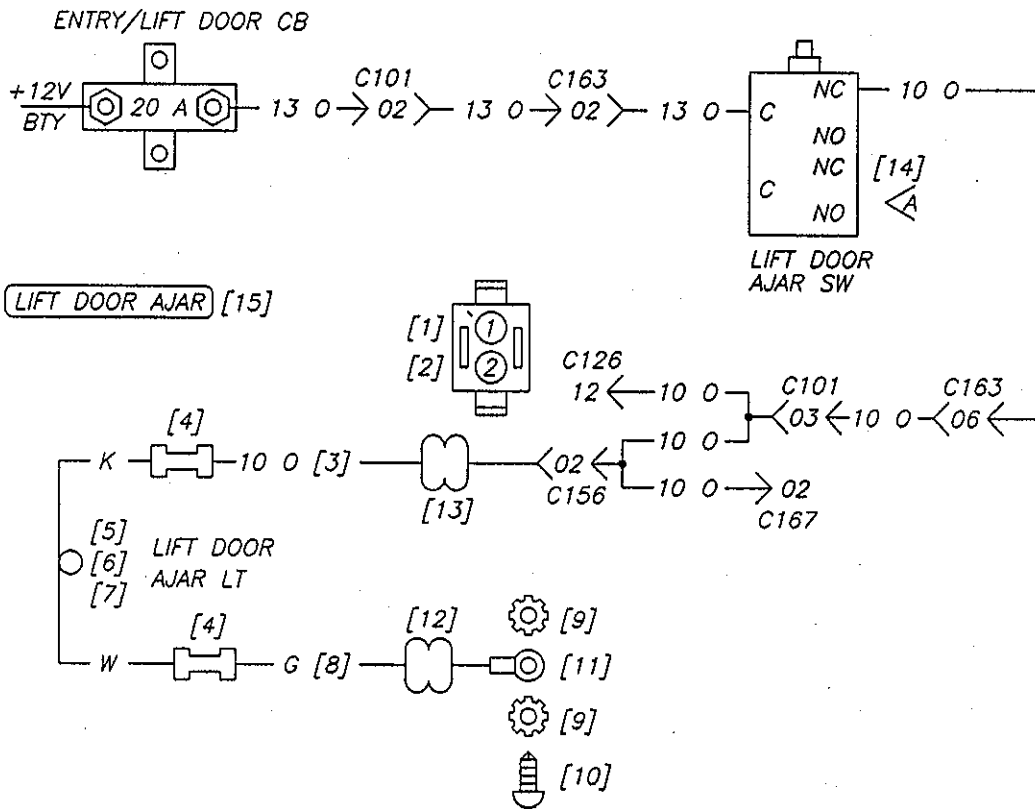


ITEM	QTY.	PART NO.	DESCRIPTION
1	3	0001138	CONN, RING 14-16 AWG X #8 INS
2	1	61441	BUZZER, DOOR AJAR (CH)
3	REF	0000612	BREAKER, 20A AUTORST XMNT
4	REF	0001747	SWITCH, DPDT MICRO PUSHBUTTON
5	3	116920	SCREW, TEK #8 X 1/2 PH PHIL
6	1	0001305	WASHER, #8 EXT STAR
7	2.00	69085	WIRE, GXL 14 AWG GREEN G 1 @ 24.00"
8	2.00	69025	WIRE, GXL14 AWG ORANGE O 1 @ 24.00"
9	1	62772	PLUG, 2-CKT
10	1	62764	PIN, 14-18 AWG REEL
11			
12			

NOTE

- [Y] WHERE Y REFERS TO THE B.O.M. ITEM NUMBER.
- ALL ELECTRICAL CHASSIS GROUND CONNECTIONS WILL USE STAR WASHERS.
- ALL EXTERIOR WIRING CONNECTIONS WILL BE COVERED WITH MASTIC LINED HEAT SHRINK TUBING.
- NS - NOT SHOWN ON THIS DRAWING

NEXT ASSY.: NONE					
SUPERCEDES: NONE				304 AVENUE B 504 INDUSTRIAL AREA SALINA, KS. 67401	
DO NOT SCALE DRAWING		- DWR 04/17/98	RELEASE TO PRODUCTION	03258	TITLE
MARK PART NUMBER AND REVISION ON ALL PARTS		REV. BY DATE	DESCRIPTION	ER NUMBER	BUZZER/LIGHT, 98 AT/AL LIFT DOOR (NY ONLY)
THIS DRAWING IS THE PROPERTY OF ELDOORADO NATIONAL COMPANY, A THOR INDUSTRIES COMPANY AND IS NOT TO BE DUPLICATED OR USED IN ANY WAY DETRIMENTAL TO THEIR BEST INTEREST.		TOLERANCE UNLESS SPECIFIED		DRAWING INFORMATION	
		FRACTIONS ± 1/16 DECIMALS .00 ± .06 ANGLES ± 1 DEG.		DATE: 04/16/98 SCALE: 1=1 SHEET: 1	
				MATERIAL SPEC. SEE B.O.M.	
				PART NUMBER 0024560	
				PAGE 1 of 1	



ITEM	QTY.	PART NO.	DESCRIPTION
1	1	62772	PLUG, 2-CIRCUIT
2	1	62762	PIN, 14-18 AWG LOOSE
3	8.00	69725	WIRE, GXL 16 AWG ORANGE 100 96"
4	2	61800	CONN, BUTT 14-16 AWG INS
5	1	62850	PIGTAIL, 2" CIRCULAR RED LIGHT
6	1	64896	BRACKET, 2" CIRCULAR RED LIGHT
7	1	64895	LIGHT, 2" CIRCULAR RED
8	3.00	69785	WIRE, GXL 16 AWG GREEN G 36"
9	2	0001305	WASHER, #8 EXT STAR
10	1	116920	SCREW, TEK #8 X 1/2 PH PHIL
11	1	62320	CONN, RING 14-16 AWG X #10 INS
12	3.00	69850	FLEXLOOM, 1/4" SLIT 36"
13	8.00	69850	FLEXLOOM, 1/4" SLIT 96"
14	REF	001747	SWITCH, DPDT MICRO
15	1	70777	DECAL, 'LIFT DOOR AJAR' ENG
16			

- NOTE
- [Y] WHERE Y REFERS TO THE B.O.M. ITEM NUMER.
  - ALL ELECTRICAL CHASSIS GROUND CONNECTIONS WILL USE STAR WASHERS.
  - NS - NOT SHOWN ON THIS DRAWING

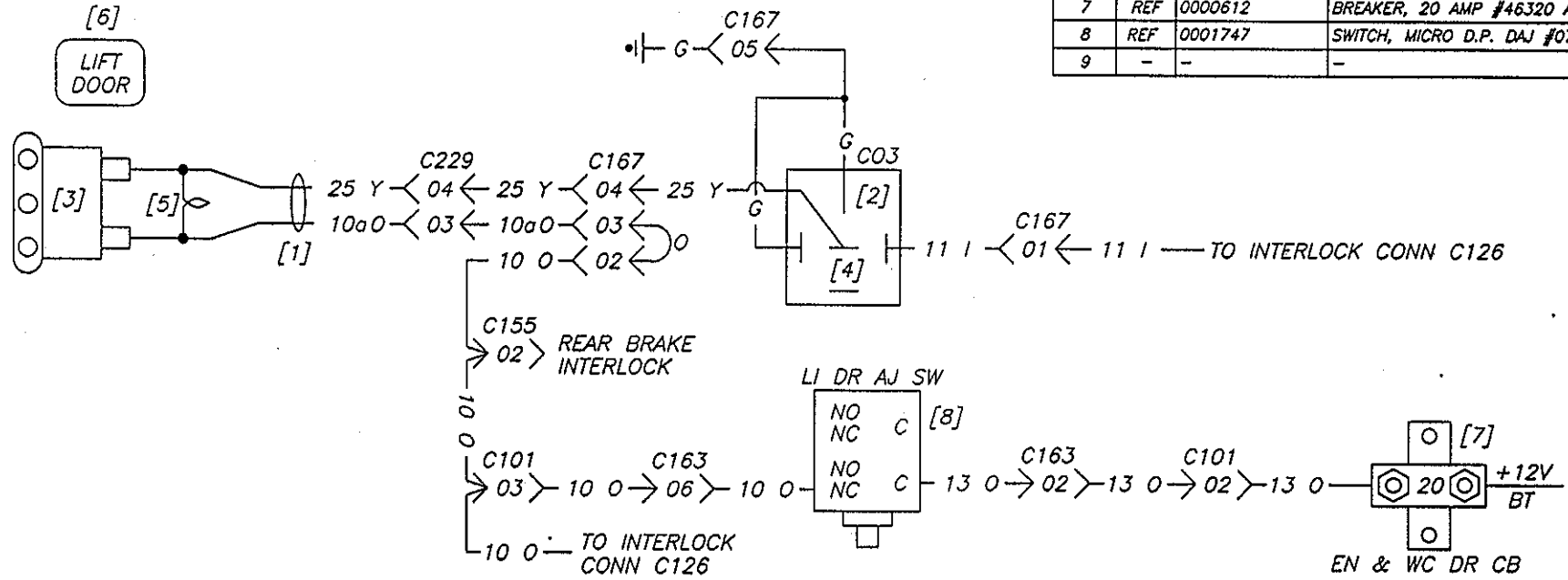
REV.	BY	DATE	DESCRIPTION	EX NUMBER	MATL SPEC.
B	DWR	11/11/91	ADD DECAL	02969	ELDORADO NATIONAL CO. A THOR INDUSTRIES COMPANY
A	DWR	04/02/91	ADD P/H FOR LIFT DOOR AJAR SWITCH	01634	TITLE
-	DWR	01/26/91	RELEASE TO PRODUCTION	00605	SCHEMATIC, 2" CIRC. RED LIFT DOOR AJAR LIGHT #7177
NEXT ASSY.: NONE			TOLERANCE UNLESS SPECIFIED		
SUPERCEDES: 0015693			DRAWING INFORMATION		
DO NOT SCALE DRAWING			FRACTIONS ± 1/16	DRAWN: EED	CHKD:
MARK PART NUMBER AND REVISION ON ALL PARTS			DECIMALS .00 ± .06	DATE: 03/22/91	SZ: CB
THIS DRAWING IS THE PROPERTY OF ELDERADO NATIONAL COMPANY, A THOR INDUSTRIES COMPANY AND IS NOT TO BE DUPLICATED OR USED IN ANY WAY DETRIMENTAL TO THEIR BEST INTEREST.			ANGLES ± 1 DEG	SCALE: 1=1	WT:
					PART NUMBER
					0021361
					PAGE
					1 of 1

**ENC**

304 AVENUE B  
52 INDUSTRIAL AREA  
SALINA, KS. 67401



ITEM	QTY.	PART NO.	DESCRIPTION
1	1	0021572	HARNES, ENGINE INTERLOCK ALARM
2	1	0022997	HARNES, LIFT DOOR AJAR ALARM
3	1	61441	BUZZER, DOOR AJAR (CH)
4	REF	68323	RELAY 12V SPDT WITH MOUNT
5	1	65316	LIGHT, RED INDICATOR
6	1	70158	CHIP, INST. PNL 'LIFT DOOR' ENG
7	REF	0000612	BREAKER, 20 AMP #46320 AUTO RE
8	REF	0001747	SWITCH, MICRO D.P. DAJ #07F002
9	-	-	-

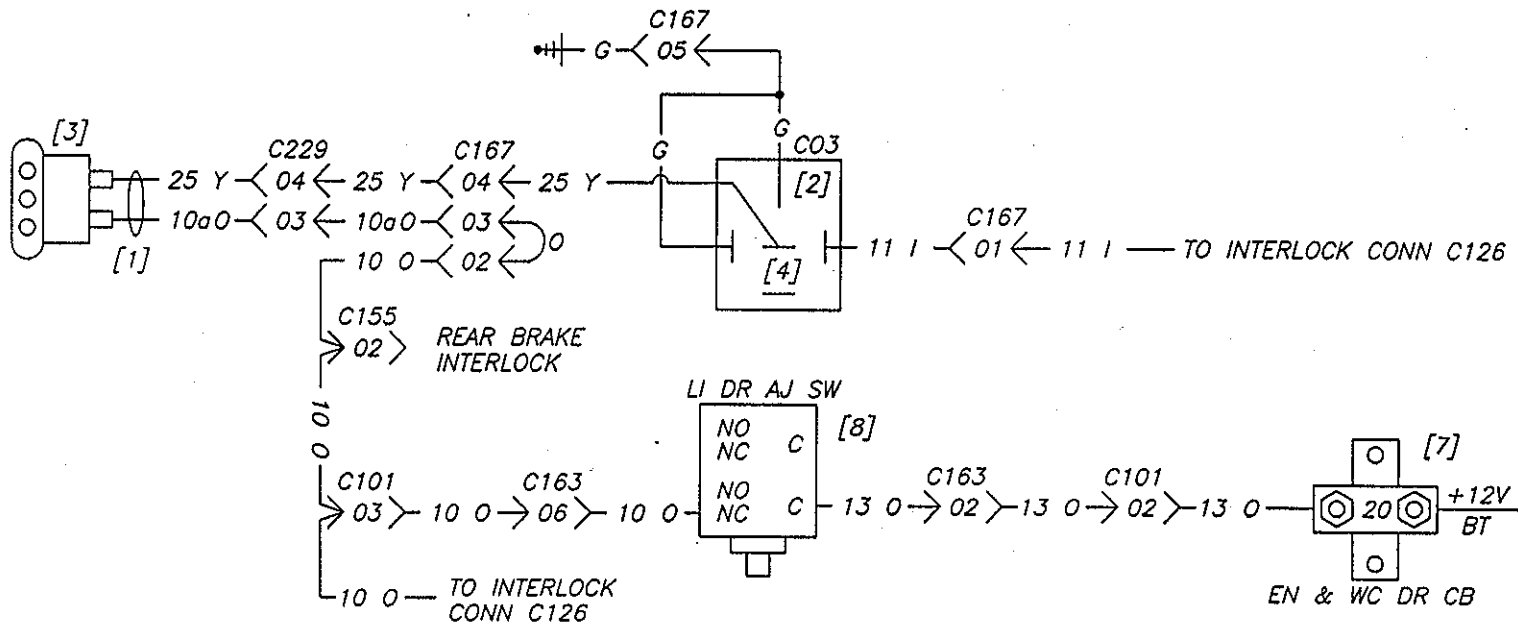


- NOTE
- [Y] WHERE Y REFERS TO THE B.O.M. ITEM NUMBER.
  - ALL ELECTRICAL CHASSIS GROUND CONNECTIONS WILL USE STAR WASHERS.
  - ALL EXTERIOR WIRING CONNECTIONS WILL BE COVERED WITH MASTIC LINED HEAT SHRINK TUBING.

NEXT ASSY.: NONE		Eldorado National Co. A Thor Industries Company	
SUPERCEDES: 0021655		TITLE: SCHEMATIC, 97 LIFT DOOR BUZZER/LIGHT #7176	
DO NOT SCALE DRAWING	- B/JM 3/4/97	RELEASE TO PRODUCTION	02258
MARK PART NUMBER AND REVISION ON ALL PARTS	REV. BY DATE	DESCRIPTION	DR NUMBER
THIS DRAWING IS THE PROPERTY OF ELDORADO NATIONAL COMPANY, A THOR INDUSTRIES COMPANY AND IS NOT TO BE DUPLICATED OR USED IN ANY WAY DETRIMENTAL TO THEIR BEST INTEREST.		TOLERANCE UNLESS SPECIFIED	DRAWING INFORMATION
FRACTIONS ± 1/16		DECIMALS .00 ± .04	ANGLES ± 1 DEG.
DRAWING: C/JLL/AM C/KD:		DATE: 3/4/97	SCALE: NTS
MATERIAL SPEC. SEE B.O.M.		PART NUMBER	PAGE
0023559		0023559	1 of 1




ITEM	QTY.	PART NO.	DESCRIPTION
1	1	0021572	HARNES, ENGINE INTERLOCK ALARM
2	1	0022997	HARNES, LIFT DOOR AJAR ALARM
3	1	61441	BUZZER, DOOR AJAR (CH)
4	REF	68323	RELAY 12V SPDT WITH MOUNT
5			
6			
7	REF	0000612	BREAKER, 20 AMP #46320 AUTO RE
8	REF	0001747	SWITCH, MICRO D.P. DAJ #07F002
9			

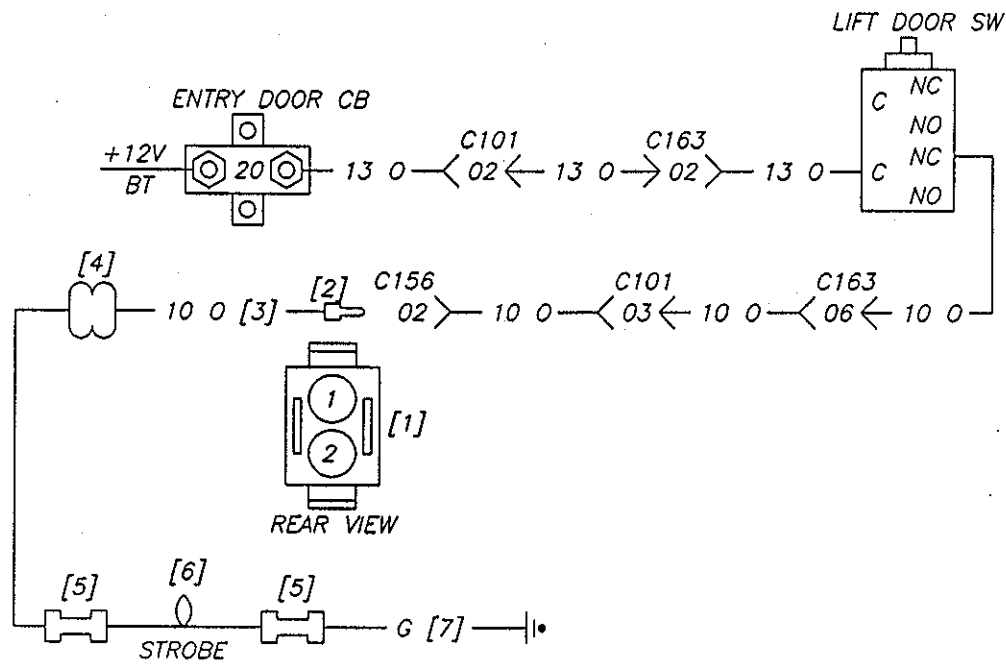


**NOTE**

- [Y] WHERE Y REFERS TO THE B.O.M. ITEM NUMBER.
- ALL ELECTRICAL CHASSIS GROUND CONNECTIONS WILL USE STAR WASHERS.
- ALL EXTERIOR WIRING CONNECTIONS WILL BE COVERED WITH MASTIC LINED HEAT SHRINK TUBING.

NEXT ASSY.: NONE  
 SUPERCEDES: 0021654  
**DO NOT SCALE DRAWING**  
 MARK PART NUMBER AND REVISION ON ALL PARTS  
 THIS DRAWING IS THE PROPERTY OF ELDORADO NATIONAL COMPANY, A THOR INDUSTRIES COMPANY AND IS NOT TO BE DUPLICATED OR USED IN ANY WAY DETRIMENTAL TO THEIR BEST INTEREST.


REV.		BY	DATE	DESCRIPTION	ITER NUMBER
-	BJM	3/4/97	RELEASE TO PRODUCTION	02258	
 304 AVENUE B SO. INDUSTRIAL AREA SALINA, KS. 67401 ELDORADO NATIONAL CO. A THOR INDUSTRIES COMPANY TITLE: SCHEMATIC, 97 LIFT DOOR BUZZER #7175 DATE SPEC. SEE B.O.M. PART NUMBER 0023558 PAGE 1 of 1					
TOLERANCE UNLESS SPECIFIED			DRAWING INFORMATION		
FRACTIONS ± 1/16			DRAWN/MCQUILLAN/CROJ		
DECIMALS .00 ± .06			DATE: 3/1/97 SIZE: B		
ANGLES ± 1 DEG.			SCALE: NTS		

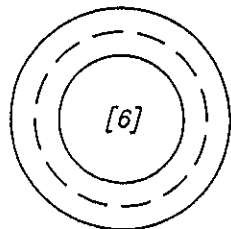


ITEM	QTY.	PART NO.	DESCRIPTION
1	1	62772	PLUG, 2-CIRCUIT
2	1	62764	PIN, 14-16 AWG REEL
3	12.00	69725	WIRE, GXL 16 AWG ORANGE 100 1 ⌀ 144.00"
4	5.00	69850	FLEXLOOM, 1/4" SLIT 1 ⌀ 60.00"
5	2	61800	CONN, BUTT 14-16 AWG INS
6	REF	65325	LIGHT, STROBE AMBER
7	3.00	69785	WIRE, GXL 16 AWG GREEN G 1 ⌀ 36.00"
8			
9			
10			

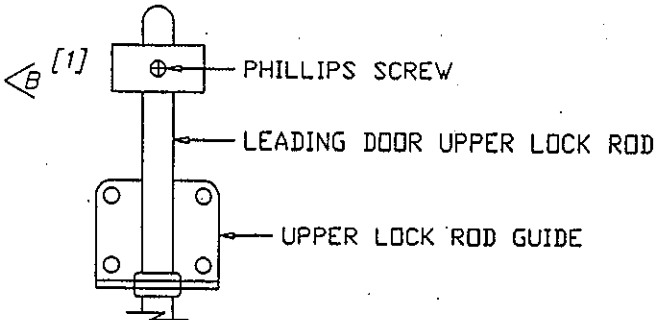
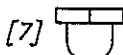
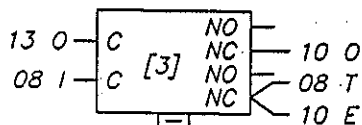
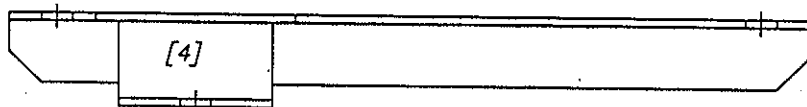
**NOTE**

1. [Y] WHERE Y REFERS TO THE B.O.M. ITEM NUMBER.
2. ALL ELECTRICAL CHASSIS GROUND CONNECTIONS WILL USE STAR WASHERS.
3. ALL EXTERIOR WIRING CONNECTIONS WILL BE COVERED WITH MASTIC LINED HEAT SHRINK TUBING.
4. 1st UNIT 0108

NEXT ASSY.: NONE		DRAWING INFORMATION		 304 AVENUE B 50 INDUSTRIAL AREA SALINA, KS. 67401	
SUPERCEDES: NONE		DRAWING INFORMATION			
DO NOT SCALE DRAWING		REV. BY	DATE	DESCRIPTION	ER NUMBER
MARK PART NUMBER AND REVISION ON ALL PARTS		TOLERANCE UNLESS SPECIFIED		DRAWING INFORMATION	
THIS DRAWING IS THE PROPERTY OF ELDORADO NATIONAL COMPANY, A THOR INDUSTRIES COMPANY AND IS NOT TO BE DUPLICATED OR USED IN ANY WAY DETRIMENTAL TO THEIR BEST INTEREST.		FRACTIONS ± 1/16		DRAWN: REE	
		DECIMALS .00 ± .06		DATE: 01/20/88	
		ANGLES ± 1 DEG.		SCALE: 1=1	
				PART NUMBER	
				0022594	
				PAGE	
				1 of 1	



GROMMET FOR HARNESS PASS  
THRU IN LIFT DOOR HEADER



- NOTE
- [Y] WHERE Y REFERS TO THE B.O.M. ITEM NUMBER.
  - ALL ELECTRICAL CHASSIS GROUND CONNECTIONS WILL USE STAR WASHERS.
  - ALL EXTERIOR WIRING CONNECTIONS WILL BE COVERED WITH MASTIC LINED HEAT SHRINK TUBING.

△ B

ITEM	QTY.	PART NO.	DESCRIPTION
1	1	0024438	ACTIVATOR, O/H LIFT SW
2	1	68401	NUT, PANEL 3/8-32 PLTD
3	1	0001747	SWITCH, DPDT MICRO PUSHBUTTON
4	1	0021285	DOOR STRIKE, WITH SWITCH MNTG BRKT
5	1	119043	WASHER, 3/8 EXT STAR
6	1	50025	GROMMET, RUBBER 1" ID X 1 3/4" OD
7	1	67677	BOOT, SILICONE WITH 3/8-32 NUT
8			

NEXT ASSY.: NONE  
 SUPERCEDES: 0021234  
 DO NOT SCALE DRAWING  
 MARK PART NUMBER AND REVISION ON ALL PARTS

REV.	BY	DATE	DESCRIPTION	ER NUMBER
B	DWR	01/16/96	CHG SW ACTIVATOR	03122
A	BLM	2/20/97	ADDED ITEM #7	02211
-	DWR	04/21/96	RELEASE TO PRODUCTION	00677



304 AVENUE B  
 SO. INDUSTRIAL AREA  
 SALINA, KS. 67401

ELDORADO NATIONAL CO. A THOR INDUSTRIES COMPANY  
 TITLE:  
 ASM, LIFT DOOR OVERHEAD SWITCH

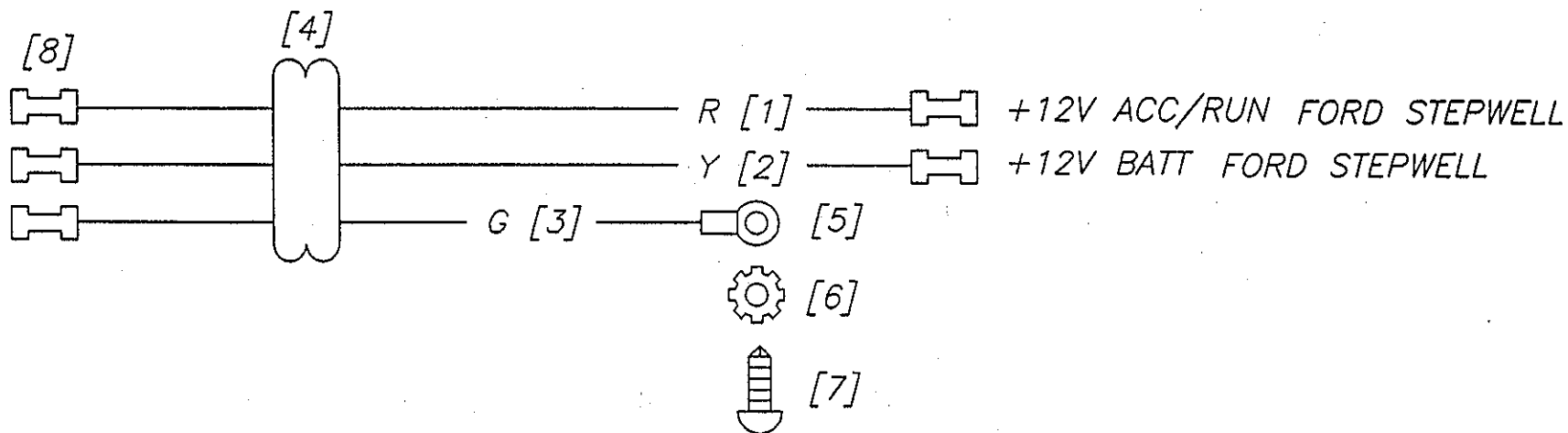
THIS DRAWING IS THE PROPERTY OF ELDORADO NATIONAL COMPANY, A THOR INDUSTRIES COMPANY AND IS NOT TO BE DUPLICATED OR USED IN ANY WAY DETRIMENTAL TO THEIR BEST INTEREST.


TOLERANCE UNLESS SPECIFIED		DRAWING INFORMATION	
FRACTIONS ± 1/16	DRAWN: R E C	CHKD:	
DECIMALS .00 ± .06	DATE: 09/15/96	SIZE: B	
ANGLES ± 1 DEG.	SCALE: 1=1	WT:	

MAT'L SPEC.  
 SEE B.O.M.  
 PART NUMBER  
 0023043  
 PAGE  
 1 of 1

0024176

ITEM	QTY.	PART NO.	DESCRIPTION
1	35.00	69265	WIRE, RED GXL 10 AWG R 1@420.00"
2	35.00	69215	WIRE, YELLOW GXL 10 AWG Y 1@420.00"
3	10.00	69285	WIRE, GREEN GXL 10 AWG G 1@120.00"
4	35.00	69851	FLEXLOOM, 1/2" SLIT 1@420.00"
5	1	62281	CONN, RING 10-12 AWG X #8 INS
6	1	0001305	WASHER, #8 EXT STAR
7	1	116760	SCREW, TEK #8 X 1" PH PHIL
8	5	61680	CONN, BUTT 10-12 AWG INS



NEXT ASSY.: NONE						 304 AVENUE B SO. INDUSTRIAL AREA SALINA, KS. 67401		
SUPERCEDES: NONE						ELDORADO NATIONAL CO. A THOR INDUSTRIES COMPANY TITLE: WHEELCHAIR RESTRAINT, EZ LOCK PREWIRE		
DO NOT SCALE DRAWING		-	JWW	10/9/97	RELEASE TO PRODUCTION	02859		
MARK PART NUMBER AND REVISION ON ALL PARTS		REV.	BY	DATE	DESCRIPTION	ER NUMBER	MAT'L SPEC.	
THIS DRAWING IS THE PROPERTY OF ELDORADO NATIONAL COMPANY, A THOR INDUSTRIES COMPANY AND IS NOT TO BE DUPLICATED OR USED IN ANY WAY DETRIMENTAL TO THEIR BEST INTEREST.		TOLERANCE UNLESS SPECIFIED			DRAWING INFORMATION			
		FRACTIONS ± 1/16			DRAWN: WARD	CKD.:		PART NUMBER
		DECIMALS .00 ± .06			DATE: 10/9/97	SIZE: A		0024176
		ANGLES ± 1 DEG.			SCALE: FULL	WT.:		PAGE
							1 of 1	