

SECTION 13 - INTERLOCKS

0023292	SCHEMATIC, '96 1/2 PARK BRAKE & TRANSMISSION INTERLOCK
0021247	SCHEMATIC, 49-STATE INTERLOCK
0024308	MICO BRAKE ASM, '97 FORD SD
0015676	SCHEMATIC, FAH STARTER INTERLOCK

TO SET INTERLOCK

1. PLACE GEAR SELECTOR IN PARK.
2. DEPRESS PARKING BRAKE.
3. PLACE LIFT SWITCH ON.

TO RELEASE INTERLOCK


1. CLOSE LIFT DOOR.
2. PLACE LIFT SWITCH OFF.
3. DISENGAGE PARKING BRAKE.

ENC 70774 [13]

ITEM	QTY.	PART NO.	DESCRIPTION
1	REF	68323	RELAY, SPDT 12V WITH MOUNT
2	1	0023137	HARNESS, 96 PARK INTERLOCK
3	REF	0000612	BREAKER, 20A AUTORST CROSSMNT
4	REF	0002060	RELAY, SPST 12V WITH PRECONTACT
5	REF	63069	FUSE, 15A BLADE
6	REF	68069	SWITCH, DPDT MOM ON/OFF/MOM ON TOG
7	1	0023979	97 AT/AL PARK BRAKE ROLLER SW, ASM
8	1	0001086	SWITCH, SPST ON/OFF D-TOG
9	1	65315	LIGHT, GREEN INDICATOR
10	REF	60800	DIODE, 6A RECTIFIER
11	1	0023634	STEERING COLUMN PARK SW 97 AT/AL, ASM
12	1	0021398	HARNESS, ADA/HERTZ INTERLOCK
13	1	70774	DECAL, LIFT SWITCH INTERLOCK OPERATION
14	REF	63241	HOLDER, BLADE FUSE 30A
15			

NOTE

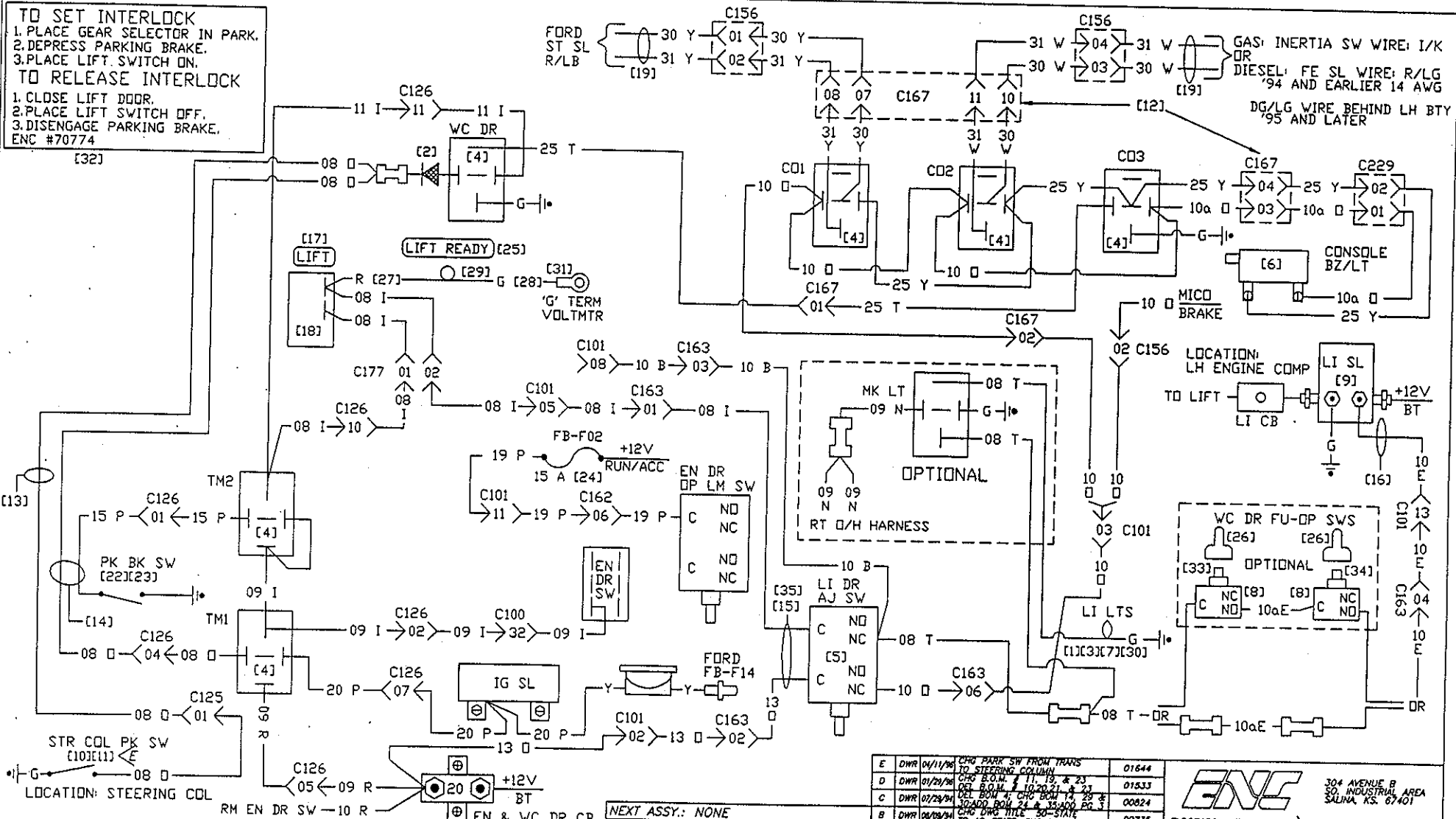
1. [Y] WHERE Y REFERS TO THE B.O.M. ITEM NUMBER.
2. ALL ELECTRICAL CHASSIS GROUND CONNECTIONS WILL USE STAR WASHERS.
3. ALL EXTERIOR WIRING CONNECTIONS WILL BE COVERED WITH MASTIC LINED HEAT SHRINK TUBING.

NEXT ASSY.: NONE		B	DWR	08/17/96	ADD +12V IGN/ACC CORN AT OVER STEPHEN	03662	 304 AVENUE B SO. INDUSTRIAL AREA SALINA, KS. 67401 EL Dorado NATIONAL CO. A THOR INDUSTRIES COMPANY
SUPERCEDES: 0021548		A	DWR	08/18/97	CHGD PARK BRAKE & TRANSMISSION PARK SW ASSEMBLIES	02667	
DO NOT SCALE DRAWING		-	DWR	11/22/96	RELEASE TO PRODUCTION	02020	
MARK PART NUMBER AND REVISION ON ALL PARTS		REV.	BY	DATE	DESCRIPTION	ITER NUMBER	
THIS DRAWING IS THE PROPERTY OF EL Dorado NATIONAL COMPANY, A THOR INDUSTRIES COMPANY AND IS NOT TO BE DUPLICATED OR USED IN ANY WAY DETRIMENTAL TO THEIR BEST INTEREST.		TOLERANCE UNLESS SPECIFIED		DRAWING INFORMATION		MATERIAL SPEC. SEE B.O.M.	
		FRACTIONS ± 1/16		DRAWN: FREED		PART NUMBER	
		DECIMALS .00 ± .06		DATE: 11/21/96		0023292	
		ANGLES ± 1 DEG.		SCALE: 1=1		PAGE 2 OF 2	

TO SET INTERLOCK
 1. PLACE GEAR SELECTOR IN PARK.
 2. DEPRESS PARKING BRAKE.
 3. PLACE LIFT SWITCH ON.

TO RELEASE INTERLOCK
 1. CLOSE LIFT DOOR.
 2. PLACE LIFT SWITCH OFF.
 3. DISENGAGE PARKING BRAKE.

ENC #70774



NOTE:
 1. [Y] WHERE Y REFERS TO THE B.O.M. ITEM NUMBER.
 2. FB - FUSE BLOCK
 3. RELAYS CO1, CO2, AND CO3 ARE LOCATED BEHIND THE ELECTRICAL PANEL.
 4. ALL ELECTRICAL CHASSIS GROUND CONNECTIONS WILL USE STAR WASHERS.

NEXT ASSY.: NONE
 SUPERCEDES: 0014286
DO NOT SCALE DRAWING
 MARK PART NUMBER AND REVISION ON ALL PARTS

THIS DRAWING IS THE PROPERTY OF ELDERADO NATIONAL COMPANY, A THOR INDUSTRIES COMPANY AND IS NOT TO BE DUPLICATED OR USED IN ANY WAY DETRIMENTAL TO THEIR BEST INTEREST.

REV.	BY	DATE	DESCRIPTION	ER NUMBER
E	DWR	04/11/54	CHG PARK SW FROM TRANS TO STEERING COLUMN	01644
D	DWR	01/29/54	CHG B.O.M. # 11, 12, & 23	01533
C	DWR	07/28/54	DEL B.O.M. # 10, 20, 21, & 23	00824
B	DWR	04/19/54	DEL B.O.M. # CHG B.O.M. # 13, 29 & 30 TO B.O.M. # 24 & 35, 40, PG. 3	00735
A	DWR	02/10/54	CHG WIRING TITLE TO 49-STATE; CHG B.O.M. # 30 TO CORR LIFT LIGHT CIRCUIT	00548
-	DWR	01/29/54	RELEASE TO PRODUCTION	00522

ELDERADO NATIONAL CO. A THOR INDUSTRIES COMPANY

**304 AVENUE B
 50 INDUSTRIAL AREA
 SALINA, KS. 67401**

SCHEMATIC, 49-STATE INTERLOCK #2300

MAT'L SPEC. SEE B.O.M.
 PART NUMBER 0021247

PAGE 1 of 3

CIRCUIT OPERATION

1. BY PLACING THE GEAR SELECTOR IN PARK AND THE IGNITION SWITCH IN RUN OR ACC, RELAY TMI OPERATES.
2. BY DEPRESSING THE PARK BRAKE PEDAL, RELAYS TM2 AND WC DR OPERATE.
3. BY PLACING THE LIFT SWITCH IN ON, THE LIFT DDDR AJAR SWITCH IS POWERED.
4. BY OPENING THE LIFT DDDR, THE LIFT SOLENOID AND RELAY C03 OPERATE VIA THE LI DR AJ SWITCH.
5. IF STEP(S) 1 AND/OR 2 ARE/IS OMITTED AND THE LIFT DOOR IS OPENED, THE ENGINE AND STARTER ARE DISABLED VIA RELAYS C02 AND C01 RESPECTIVELY. ALSO A VISUAL AND/OR AUDIBLE ALARM WILL BE SET VIA RELAY C03.

△
△
△

△

△

ITEM	QTY.	PART NO.	DESCRIPTION
1	1	63891	LIGHT, RECT WHLCHR DOOR
2	REF	60800	DIODE, 6A RECTIFIER
3	1	0017955	HOOD, WC LIFT LIGHT ADA
4	REF	68323	RELAY, 12V SPDT WITH MOUNT
5	1	0001747	SWITCH, DPDT MICRO
6	1	121710	ALARM, BUZZER & LIGHT
7	REF	0011226	LAMP, SEALED BEAM #64111
8	REF	68400	SWITCH, MICRO SPDT
9	1	0000835	SOLENOID, 12V NO INS COIL
10	REF	68101	SWITCH, SPDT SHORT ARM ROLLER
11	1	0022253	ASM, AT/AL STEERING COLUMN PARK SWITCH
12	1	0016932	HARNESS, AT/AL ENGINE KILL
13	1	0016884	HARNESS, FAH STD & 49-STATE TRANS SW
14	1	0021596	HARNESS, 49-ST TRANS & PARK BRAKE INTRLK
15	1	0019447	HARNESS, 92 1/2' WC DOOR
16	1	0011646	HARNESS, FAH WC SOLENOID HOOD
17	1	70715	DECAL, 'LIFT'
18	1	0001086	SWITCH, SPST ON/OFF D-TOGGLE
19	1	0022591	HARNESS, AT/AL ENGINE KILL CONNECTION
20			
21			
22	REF	67660	SWITCH, PUSHBUTTON SINGLE TERM NC
23	1	0022023	ASM, AT/AL PARK BRAKE SWITCH
24	1	63069	FUSE, 15 A BLADE
25	1	70728	DECAL, 'LIFT READY'
26	REF	67677	BOOT, SILICON RUBBER WITH 3/8-32 NUT
27	1.00	69766	WIRE, GXL 16 AWG RED R 1.00'
28	1.00	69785	WIRE, GXL '6 AWG GREEN G 1.00'
29	1	65315	LIGHT, GREEN INDICATOR
30	1	64801	LIGHT, WHITE PATIO

NOTE
1. NS - NOT SHOWN ON DRAWING

NEXT ASSY.: NONE

SUPERCEDES: 0014286

DO NOT SCALE DRAWING

MARK PART NUMBER AND REVISION ON ALL PARTS

THIS DRAWING IS THE PROPERTY OF ELDORADO NATIONAL COMPANY, A THOR INDUSTRIES COMPANY AND IS NOT TO BE DUPLICATED OR USED IN ANY WAY DETRIMENTAL TO THEIR BEST INTEREST.

E	DWR	04/11/96	CHG PARK SW FROM TRANS TO STEERING COLUMN	01644
D	DWR	01/24/96	CHG B.O.M. # 11, 19, & 23 DEL B.O.M. # 10, 20, 21, & 22	01533
C	DWR	07/24/94	SOADD BOM 24 & 35 AND PG 3 CHG DWG TITLE 50-STATE TO 49-STATE CHG BOM #30	00824
B	DWR	04/09/94	CHG DWG TITLE 50-STATE TO 49-STATE CHG BOM #30	00735
A	DWR	02/10/94	CHG LIFT LIGHT CIRCUIT	00548
			RELEASE TO PRODUCTION	00522



304 AVENUE B
SO. INDUSTRIAL AREA
SALINA, KS. 67401

ELDORADO NATIONAL CO. A THOR INDUSTRIES COMPANY


TITLE:
SCHEMATIC, 49-STATE
INTERLOCK #2300

ER NUMBER
MAT'L SPEC.
SEE B.O.M.

PART NUMBER
0021247

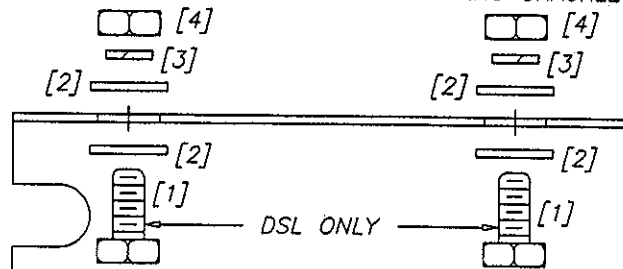
TOLERANCE UNLESS SPECIFIED		DRAWING INFORMATION	
FRACTIONS	± 1/16	DRAWN BY	EE
DECIMALS	± .06	DATE	01/20/94
ANGLES	± 1 DEG.	SIZE	B
		SCALE	NITS

ITEM	QTY.	PART NO.	DESCRIPTION
31	1	62320	CONN, RING 14-16 AWG X #10 INS
32	1	70774	DECAL, LIFT SWITCH INTERLOCK OPERATION
NS 33	REF	0020482	BRACKET, W/C DOOR REAR FULL-OPEN SWITCH
NS 34	REF	0020486	BRACKET, W/C DOOR FRT FULL-OPEN SWITCH
NS 35	1	0019450	HARNES, 92 1/2 WC DOOR EXT 240
36	-	-	-
37	-	-	-
38	-	-	-
39	-	-	-
40	-	-	-

E DWR 01/11/94		CHG PARK SW FROM TRANS TO STEERING COLUMN	01644	 <p>304 AVENUE B 50. INDUSTRIAL AREA SALINA, KS. 67401</p> <p>ELDORADO NATIONAL CO. A THOR INDUSTRIES COMPANY</p> <p>TITLE: SCHEMATIC, 49-STATE INTERLOCK #2300</p> <p>MAT'L SPEC. SEE B.O.M.</p> <p>PART NUMBER 0021247</p>
D DWR 01/29/94		CHG B.O.M. # 11, 19, & 23 DEL B.O.M. # 10, 20, 21, & 29	01533	
C DWR 07/29/94		DEL B.O.M. # 14, 29 & 30 ADD B.O.M. # 21 & 25 ADD PG 3	00824	
B DWR 02/19/94		CHG DWG TITLE 50-STATE TO 49-STATE CHG B.O.M. #30	00735	
A DWR 02/19/94		CONN LIFT LIGHT CIRCUIT	00548	
- DWR 01/29/94		RELEASE TO PRODUCTION	00522	
NEXT ASSY.: NONE				
SUPERCEDES: 0014286				
DO NOT SCALE DRAWING				
MARK PART NUMBER AND REVISION ON ALL PARTS		REV. BY	DATE	DESCRIPTION
THIS DRAWING IS THE PROPERTY OF ELDORADO NATIONAL COMPANY, A THOR INDUSTRIES COMPANY AND IS NOT TO BE DUPLICATED OR USED IN ANY WAY DETRIMENTAL TO THEIR BEST INTEREST.		TOLERANCE UNLESS SPECIFIED		DRAWING INFORMATION
		FRACTIONS ± 1/16		DRAWN: F.R.E.E.D. CRD:
		DECIMALS .00 ± .06		DATE: 01/20/94 SIZE: B
		ANGLES ± 1 DEG.		SCALE: NTS WT:
				PAGE
				3 of 3

NOTE
1. NS - NOT SHOWN ON DRAWING

BRACKET LOCATION:
LH RAIL IN FRONT OF FORWARD SPRING SHACKLE



ITEM	QTY.	PART NO.	DESCRIPTION
1	6	110990	BOLT, 3/8-16 X 1 HEX PLTD
2	10	0000318	WASHER, 3/8 FLAT PLTD
3	6	0000480	WASHER, 3/8 LOCK PLTD
4	4	0000319	NUT, 3/8-16 HEX PLTD
5	1	0024208	MICO BRKT, 97 FORD SD
6	4	111240	BOLT, 5/16-18 X 1 HEX PLTD
7	4	119200	WASHER, 5/16 FLAT PLTD
8	4	119410	WASHER, 5/16 LOCK PLTD
9	4	113280	NUT, HEX 5/16-18 PLTD
10	1	0024280	MICO BRKT SUPPORT ARM, 97 FORD SD

FRONT OF VEHICLE →

ACTUATOR

POWER UNIT

NOTE

- [Y] WHERE Y REFERS TO THE B.O.M. ITEM NUMBER.
- ALL ELECTRICAL CHASSIS GROUND CONNECTIONS WILL USE STAR WASHERS.
- ALL EXTERIOR WIRING CONNECTIONS WILL BE COVERED WITH MASTIC LINED HEAT SHRINK TUBING.

[14] <B <C

← WELD TO FLR STEEL

WELD TO BRKT

BOLT TO FORD CROSS MEMBER

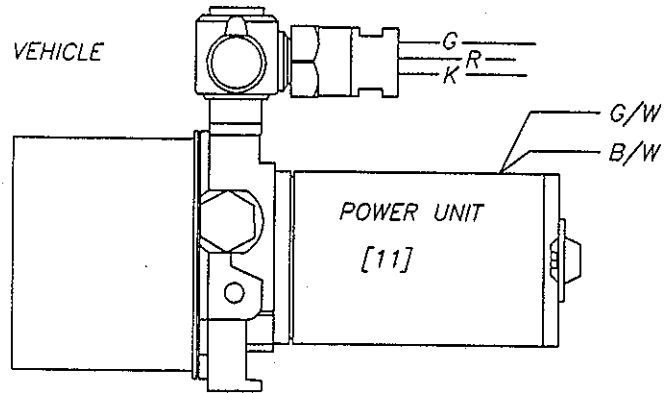
NEXT ASSY.: NONE
SUPERCEDES: 0024091
DO NOT SCALE DRAWING
MARK PART NUMBER AND REVISION ON ALL PARTS
THIS DRAWING IS THE PROPERTY OF ELDORADO NATIONAL COMPANY, A THOR INDUSTRIES COMPANY AND IS NOT TO BE DUPLICATED OR USED IN ANY WAY DETRIMENTAL TO THEIR BEST INTEREST.

REV.	BY	DATE	DESCRIPTION	ER NUMBER	MAT'L SPEC.
C	DWR	05/18/98	CHG 7/14 FOR B.O.M. #14 BUY ITEM IS IDENTICAL	03420	SEE B.O.M.
B	DWR	05/14/98	ADD BRKT TO BRKT	03409	SEE B.O.M.
A	BJM	5/8/98	CHG PART 7 ON B.O.M. ITEM NUMBER 10	03382	SEE B.O.M.
-	DWR	11/21/97	RELEASE TO PRODUCTION	02893	SEE B.O.M.

ELDORADO NATIONAL CO. A THOR INDUSTRIES COMPANY
 304 AVENUE B
 SO. INDUSTRIAL AREA
 SALINA, KS. 67401
TITLE: MICO BRAKE ASM, 97 FORD SD
PART NUMBER: 0024308
SCALE: 1=1
DATE: 11/14/97
DRAWN BY: EED
CHECKED BY: [blank]
DATE: [blank]
SCALE: [blank]

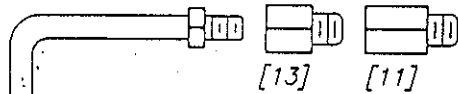
PAGE 1 OF 4

← FRONT OF VEHICLE

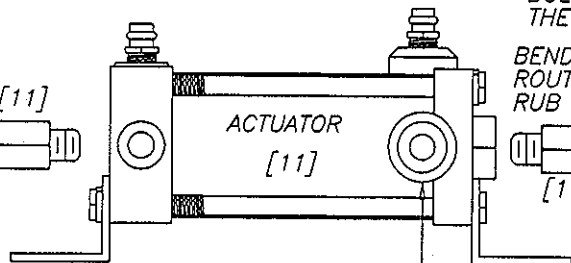
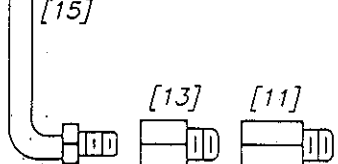


◀ C ◀ B

ITEM	QTY.	PART NO.	DESCRIPTION
11	1	0024085	INTERLOCK KIT, MICO DOOR BRAKE
12	12	0000489	WASHER, 1/4 FLAT PLTD
13	4	122011	BUSHING, 1/4 M X 3/16 F INVERTED FLARE
14	1	126840-5	STEEL, FLAT 1/8" X 2" X 19"
15	1	0023746	BRAKE LINE, 3/16 X 12" WITH COUPLER
16	2	0024309	BRAKE LINE, 3/16 X 48
17	8	113421	NUT, HEX 1/4-20 PLTD
18	8	119062	WASHER, 1/4 EXT STAR
19			
20	2	0000731	BOLT, MACH 1/4-20 X 1 HEX
21	7	122012	CLAMP, 3/16 BRAKE LINE
22	2	115798	SCREW, MACH 1/4-20 X 2 PH PHIL
23			
24			
25			



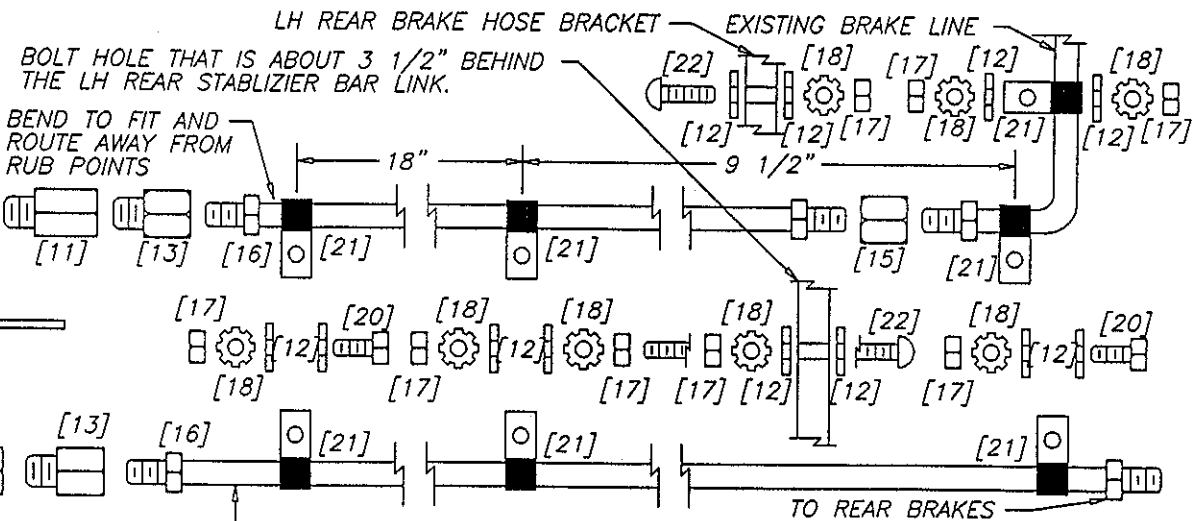
BEND TO FIT
[15]



LH REAR BRAKE HOSE BRACKET
BOLT HOLE THAT IS ABOUT 3 1/2" BEHIND THE LH REAR STABILIZER BAR LINK.

BEND TO FIT AND ROUTE AWAY FROM RUB POINTS

BEND TO FIT AND ROUTE AWAY FROM RUB POINTS



NOTE

1. [Y] WHERE Y REFERS TO THE B.O.M. ITEM NUMBER.
2. ALL ELECTRICAL CHASSIS GROUND CONNECTIONS WILL USE STAR WASHERS.
3. ALL EXTERIOR WIRING CONNECTIONS WILL BE COVERED WITH MASTIC LINED HEAT SHRINK TUBING.

NEXT ASSY.: NONE
 SUPERCEDES: 0024091
 DO NOT SCALE DRAWING
 MARK PART NUMBER AND REVISION ON ALL PARTS

THIS DRAWING IS THE PROPERTY OF ELDORADO NATIONAL COMPANY, A THOR INDUSTRIES COMPANY AND IS NOT TO BE DUPLICATED OR USED IN ANY WAY DETRIMENTAL TO THEIR BEST INTEREST.

REV.	BY	DATE	DESCRIPTION	ER NUMBER
C	DWR	05/18/96	CHR P/N FOR B.O.M. #14 BUT ITEM IS IDENTICAL	03420
B	DWR	05/14/96	ADD BRACE TO BART	03409
A	BJM	5/8/96	CHR. PART # ON B.O.M. ITEM NUMBER 10	03382
-	DWR	11/21/97	RELEASE TO PRODUCTION	02893

TOLERANCE UNLESS SPECIFIED		DRAWING INFORMATION	
FRACTIONS	± 1/16	DRAWN/RECD	CRD.
DECIMALS	.00 ± .06	DATE	11/14/97
ANGLES	± 1 DEG.	SCALE	1=1

ENC 304 AVENUE B
SD, INDUSTRIAL AREA
SALINA, KS. 67401

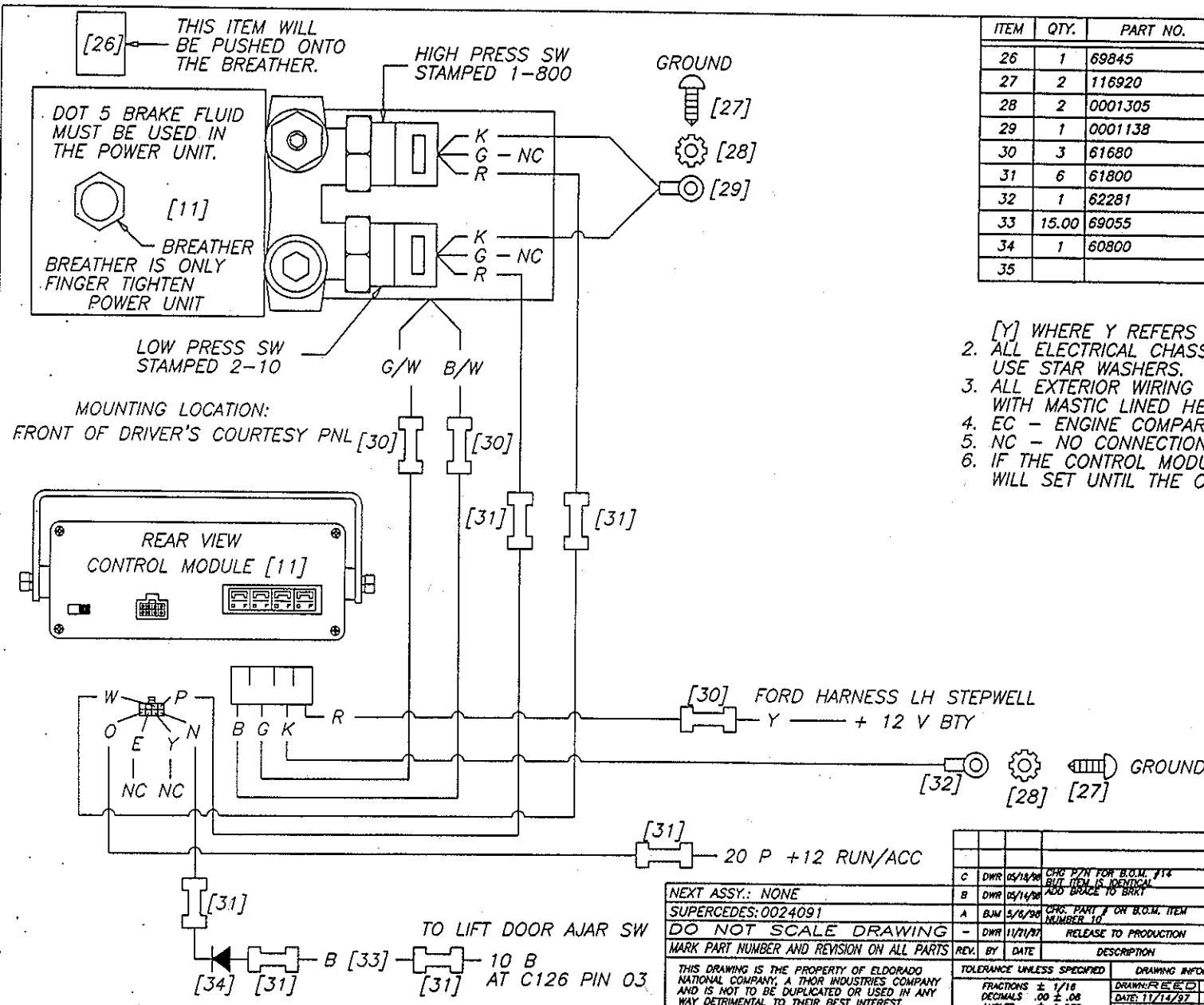
ELDORADO NATIONAL CO. A THOR INDUSTRIES COMPANY

TITLE:
MICO BRAKE ASM, 97 FORD SD

MAT'L SPEC.
SEE B.O.M.

PART NUMBER
0024308

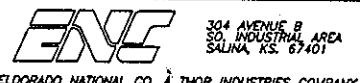
PAGE
2 of 4



ITEM	QTY.	PART NO.	DESCRIPTION
26	1	69845	CAP, 5/8 PROTECTIVE
27	2	116920	SCREW, TEK #8 X 1/2 PH PHIL
28	2	0001305	WASHER, #8 EXT STAR
29	1	0001138	CONN, RING 14-16 AWG X #8 INS
30	3	61680	CONN, BUTT 10-12 AWG INS
31	6	61800	CONN, BUTT 14-16 AWG INS
32	1	62281	CONN, RING 10-12 AWG X #8 INS
33	15.00	69055	WIRE, GXL 16 AWG BLUE B 1 @ 180.00"
34	1	60800	DIODE, 6A RECT
35			

- [Y] WHERE Y REFERS TO THE B.O.M. ITEM NUMBER.
- ALL ELECTRICAL CHASSIS GROUND CONNECTIONS WILL USE STAR WASHERS.
 - ALL EXTERIOR WIRING CONNECTIONS WILL BE COVERED WITH MASTIC LINED HEAT SHRINK TUBING.
 - EC - ENGINE COMPARTMENT FUSE PANEL
 - NC - NO CONNECTION
 - IF THE CONTROL MODULE IS TURNED ON THE MICO BRAKE WILL SET UNTIL THE CONTROL MODULE IS TURNED OFF.

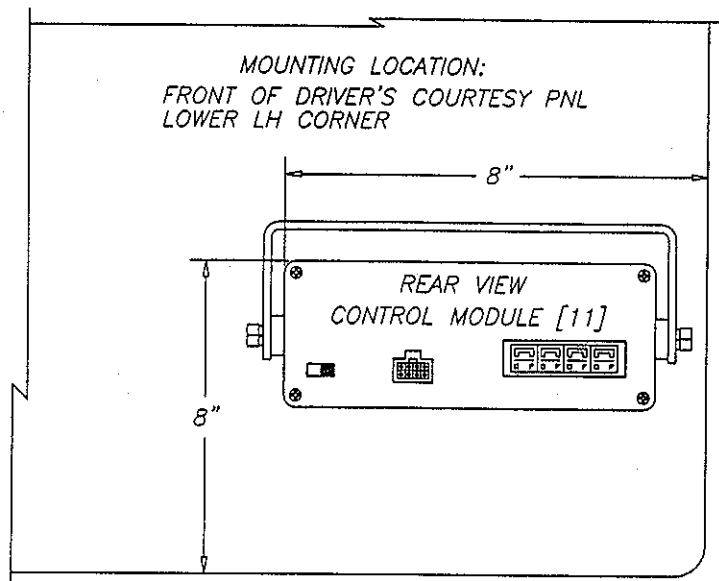
NEXT ASSY.: NONE		SUPERCEDES: 0024091		DO NOT SCALE DRAWING		MARK PART NUMBER AND REVISION ON ALL PARTS	
REV.	BY	DATE	DESCRIPTION	ER NUMBER			
C	DWR	05/14/94	CHG P/N FOR B.O.M. #14 BUT ITEM IS IDENTICAL ADD BRACE TO BRKT	03420			
B	DWR	05/14/94		03409			
A	BJM	5/6/94	CHG PART # ON B.O.M. ITEM NUMBER 10	03382			
-	DWR	11/21/97	RELEASE TO PRODUCTION	02893			
TOLERANCE UNLESS SPECIFIED				DRAWING INFORMATION			
FRACTIONS ± 1/16		DECIMALS .00 ± .08		DRAWN/REV/CHK		CNO:	
ANGLES ± 1 DEG.		SCALE 1=1		DATE: 11/14/97		SIZE: B	
				WT:		PART NUMBER	
						0024308	
						PAGE	
						3 of 4	



TITLE:
MICO BRAKE ASM, 97 FORD SD

MAT'L SPEC.
SEE B.O.M.

ITEM	QTY.	PART NO.	DESCRIPTION
36			
37			



NEXT ASSY.: NONE
 SUPERCEDES: 0024091
DO NOT SCALE DRAWING
 MARK PART NUMBER AND REVISION ON ALL PARTS

THIS DRAWING IS THE PROPERTY OF EL Dorado NATIONAL COMPANY, A THOR INDUSTRIES COMPANY AND IS NOT TO BE DUPLICATED OR USED IN ANY WAY DETRIMENTAL TO THEIR BEST INTEREST.

REV.	BY	DATE	DESCRIPTION	ER NUMBER
C	DWR	05/14/94	CRG P/N FOR B.O.M. #14 BUT ITEM IS IDENTICAL	03420
B	DWR	05/11/94	ADD BRACE TO BRKT	03409
A	BJM	5/6/94	CRG. PART # ON B.O.M. ITEM NUMBER 10	03382
-	DWR	11/21/97	RELEASE TO PRODUCTION	02893

TOLERANCE UNLESS SPECIFIED	DRAWING INFORMATION	
FRACTIONS ± 1/16	DRAWN: REED	CKD:
DECIMALS .00 ± .06	DATE: 11/14/97	SIZE: B
ANGLES ± 1 DEG.	SCALE: 1=1	WT:

ENC

304 AVENUE B
 SO. INDUSTRIAL AREA
 SALINA, KS. 67401

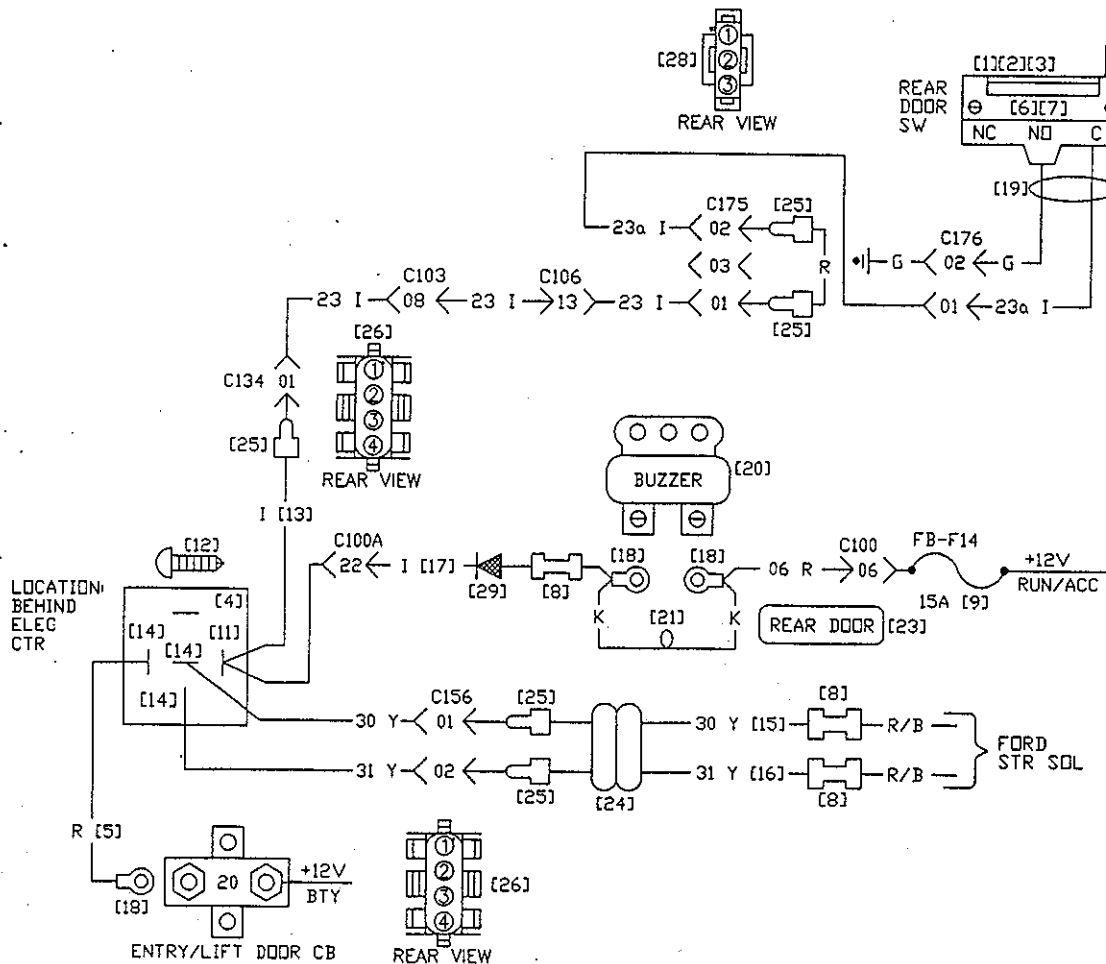
ELDORADO NATIONAL CO. A THOR INDUSTRIES COMPANY

TITLE:
MICO BRAKE ASM, 97 FORD SD

MAT'L SPEC.
 SEE B.O.M.

PART NUMBER
0024308

PAGE
 4 of 4



ITEM	QTY.	PART NO.	DESCRIPTION
1	1	0011140	PLUNGER, HIGH OVER TRAVEL
2	1	0011141	SWITCH, PIN PLUNGER
3	1	0020518	BRACKET, STARTER INTERLOCK SWITCH
4	1	68323	RELAY, SPDT WITH MOUNT
5	5.00	69766	WIRE, GXL 16 AWG RED R 1 @ 60.00"
6	2	115814	SCREW, MACH #6-32 X 1.5" RH SLOT
7	2	113398	NUT, #6-32 HEX PLTD
8	3	61800	CONN, BUTT 14-16 AWG INS
9	1	63069	FUSE, 15A BLADE
10	1	69860	CONN, AMP RELAY SOCKET
11	1	68468	TERM, AMP 10-12 AWG RELAY CONN
12	1	116920	SCREW, TEK #8 X 1/2" PH PHIL
13	8.00	69710	WIRE, GXL 16 AWG PINK I 1 @ 96.00"
14	3	68467	TERM, AMP 14-16 AWG RELAY CONN
15	8.00	69715	WIRE, GXL 16 AWG YELLOW 30Y 1 @ 96.00"
16	8.00	69715	WIRE, GXL 16 AWG YELLOW 31Y 1 @ 96.00"
17	3.00	69710	WIRE, GXL 16 AWG PINK I 1 @ 36.00"
18	3	62320	CONN, RING 14-16 AWG X #10 INS
19	1	0019261	HARNES, LEFT PULL CORD
20	1	61441	ALARM, BUZZER
21	1	65316	LIGHT, RED INDICATOR
22			
23	1	70723	DECAL, 'REAR DOOR'
24	10.00	69850	FLEXLOOM, 1/4" SLIT 1 @ 120.00"
25	5	62764	PIN, 14-18 AWG REEL
26	2	62777	CAP, 4-CIRCUIT
27			
28	1	62774	PLUG, 3-CIRCUIT
29	1	60800	DIODE, 6A RECTIFIER
30			

- NOTE:
1. ALL ELECTRICAL CHASSIS GROUND CONNECTIONS WILL USE STAR WASHERS.
 2. [Y] WHERE Y REFERS TO THE B.O.M. ITEM NUMBER.
 3. ALL EXTERIOR WIRING CONNECTIONS WILL BE COVERED WITH MASTIC LINED HEAT SHRINK TUBING.
 4. NS - NOT SHOWN ON THIS DRAWING

NEXT ASSY.: NONE
 SUPERCEDES: NONE
DO NOT SCALE DRAWING
 MARK PART NUMBER AND REVISION ON ALL PARTS

THIS DRAWING IS THE PROPERTY OF ELDERADO NATIONAL COMPANY, A THOR INDUSTRIES COMPANY AND IS NOT TO BE DUPLICATED OR USED IN ANY WAY DETRIMENTAL TO THEIR BEST INTEREST.

REV.	BY	DATE	DESCRIPTION	ER NUMBER
H	DWR	07/14/90	CHG BUZZER/LIGHT TO BUZZER AND LIGHT	03582
G	AJD	10/24/90	CORRECT AND ADD NOTES UPDATE DWG	00984
F	DWR	04/27/91	ADD BOM # 11, 25, 26, 27, 28, & 29	00223
F	DWR	04/27/91	CHG BOM # 3, 14, 19, & 21 CHG DTY BOM # 12 & 14 REL BOM # 11	00223
E	DWR	03/16/90		00201
-	DWR	04/28/91	RELEASE TO PRODUCTION	

ENC 304 AVENUE B
 SO. INDUSTRIAL AREA
 SALINA, KS. 67401

ELDERADO NATIONAL CO. A THOR INDUSTRIES COMPANY

TITLE:
 SCHEMATIC, FAH STARTER INTERLOCK #2312

DATE: 04/29/91
 SCALE: 1=4

PART NUMBER
 0015676