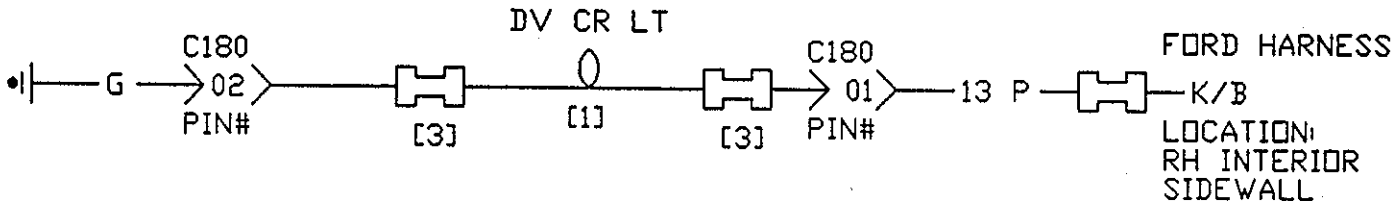


SECTION 5 - INTERIOR LIGHTS


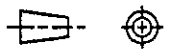
0024792	LIGHT SCHEMATIC, FORD DRIVER'S
0024789	LIGHT LOCATION & INSTALL, DRIVER MAP
0021585	SCHEMATIC, '94 1/2 COURTEST LIGHTS
0024082	LIGHTS, ADDITIONAL COURTESY
0017993	SCHEMATIC, '92 EGRESS LIGHTS
0021619	LIGHT SCHEMATIC, '98 SINGLE READING
0021618	LIGHTS SCHEMATIC, '98 DUAL READING
0022068	SCHEMATIC, LUGGAGE RACK LIGHT
0022424	SCHEMATIC, OPERA LIGHTS
0022283	SCHEMATIC, BACKLIGHT AD RAIL (240)
0021788	SCHEMATIC, ENGINE COMPARTMENT LIGHT
0022062	SCHEMATIC, FLOOR COURTESY LIGHTS

0024792

ITEM	QTY.	PART NO.	DESCRIPTION
1	1	0024789	LIGHT LOCATION & INSTALL, DRIVER
2	REF	64923	LIGHT, 98 SINGLE READING
3	2	61800	CONN, BUTT 14-16 AWG INS

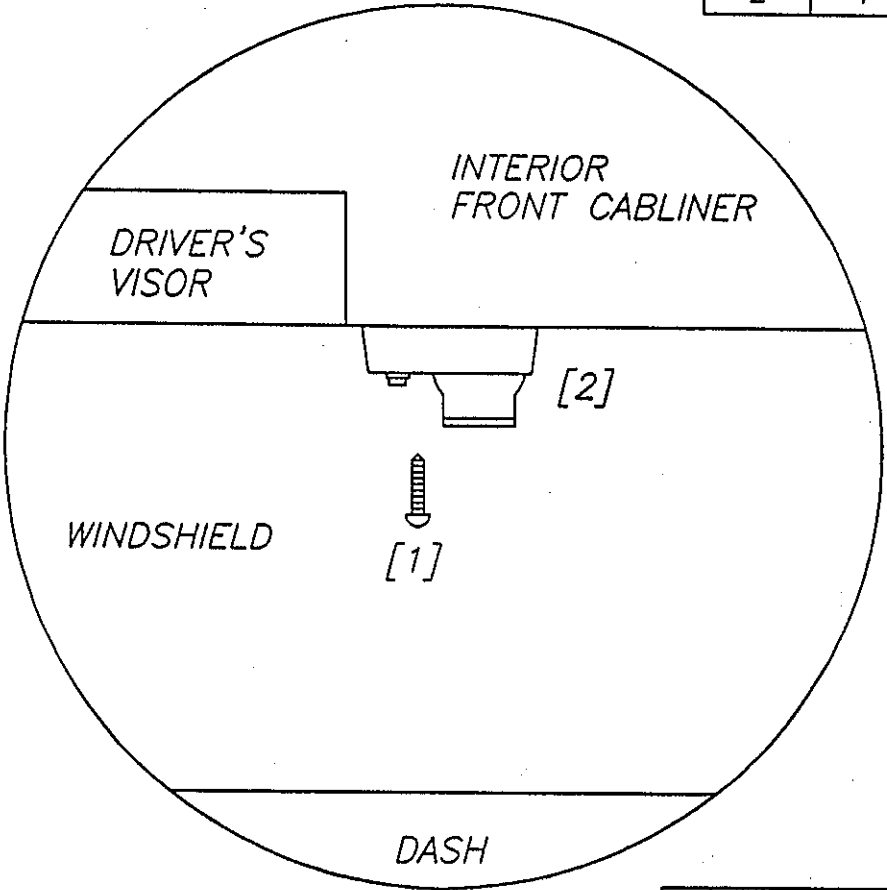


- NOTE:
- [Y] WHERE Y REFERS TO THE B.O.M. ITEM NUMBER.
 - ALL ELECTRICAL GROUND CONNECTIONS WILL USE STAR WASHERS.

NEXT ASSY.: NONE				 <p>304 AVENUE B SO. INDUSTRIAL AREA SALINA, KS. 67401</p>		
SUPERCEDES: 0017995						ELDORADO NATIONAL CO. A THOR INDUSTRIES COMPANY
DO NOT SCALE DRAWING		-	JWW 6/18/98	RELEASE TO PRODUCTION	03506	
MARK PART NUMBER AND REVISION ON ALL PARTS		REV.	BY	DATE	DESCRIPTION	ER NUMBER
THIS DRAWING IS THE PROPERTY OF ELDORADO NATIONAL COMPANY, A THOR INDUSTRIES COMPANY AND IS NOT TO BE DUPLICATED OR USED IN ANY WAY DETRIMENTAL TO THEIR BEST INTEREST.		TOLERANCE UNLESS SPECIFIED			 <p>THIRD ANGLE</p>	
		FRACTIONS ± 1/16				
		DECIMALS .00 ± .06				
		ANGLES ± 1 DEG.				
MAT'L SPEC. SEE B.O.M.		DRAWN: WARD		CKD.:	PART NUMBER	
DATE: 6/18/98		SCALE: 1=4		SIZE: A	0024792	
				WT.:		

0024789

ITEM	QTY.	PART NO.	DESCRIPTION
1	2	116120	SCREW, SMS #8 X 1 PH PHIL
2	1	64923	LIGHT, 98 SINGLE READING





304 AVENUE B
SO. INDUSTRIAL AREA
SALINA, KS. 67401

ELDORADO NATIONAL CO. A THOR INDUSTRIES COMPANY

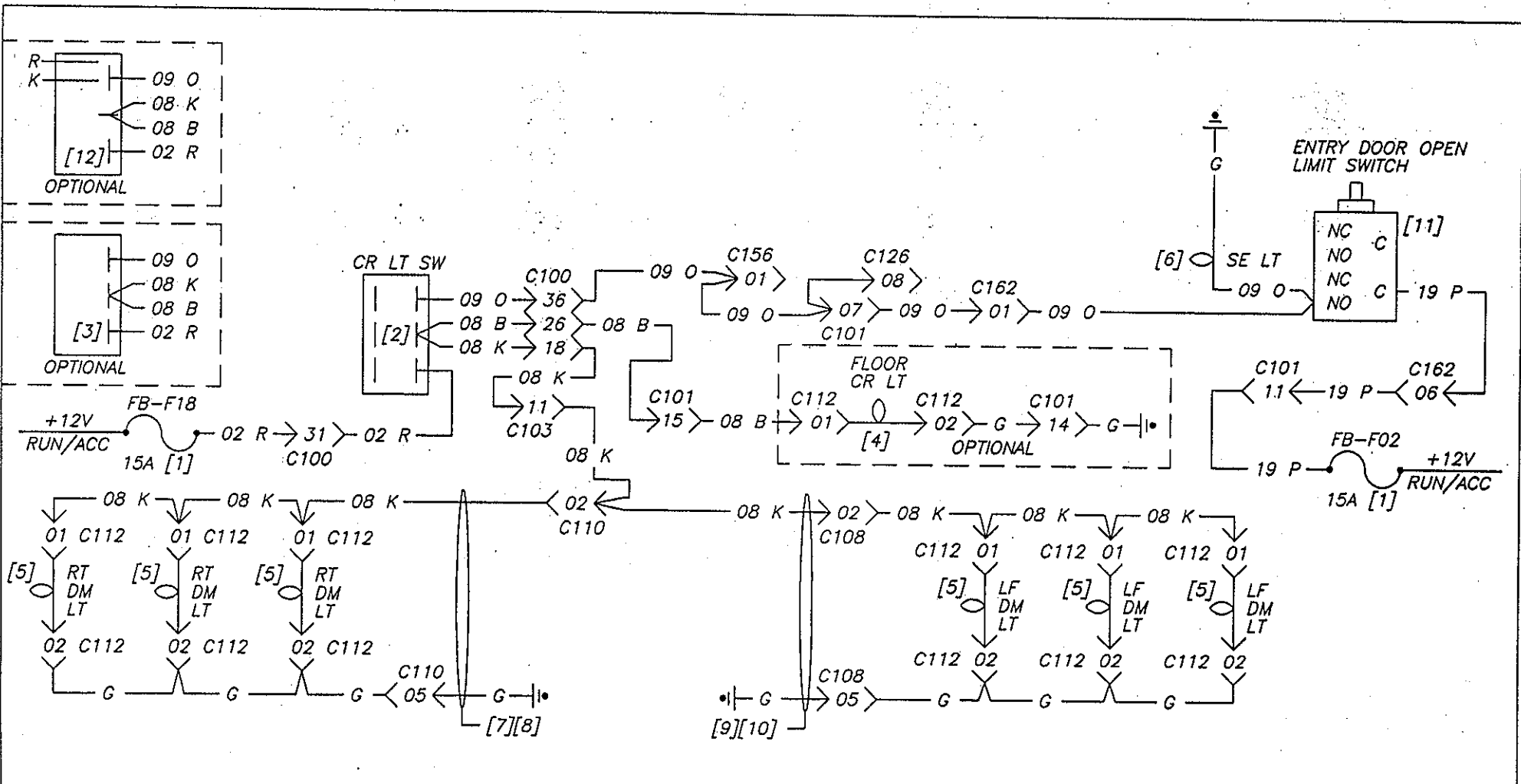
NEXT ASSY.: NONE					
SUPERCEDES: NONE					
DO NOT SCALE DRAWING	-	JWW	6/18/98	RELEASE TO PRODUCTION	03506
MARK PART NUMBER AND REVISION ON ALL PARTS	REV.	BY	DATE	DESCRIPTION	ER NUMBER

TITLE:
LIGHT LOCATION & INSTALL, DRIVER MAP

THIS DRAWING IS THE PROPERTY OF ELDORADO NATIONAL COMPANY, A THOR INDUSTRIES COMPANY AND IS NOT TO BE DUPLICATED OR USED IN ANY WAY DETRIMENTAL TO THEIR BEST INTEREST.

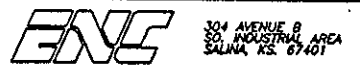
TOLERANCE UNLESS SPECIFIED		DRAWING INFORMATION	
FRACTIONS	± 1/16	DRAWN: WARD	CKD.:
DECIMALS	.00 ± .06	DATE: 6/18/98	SIZE: A
ANGLES	± 1 DEG.	SCALE: 1=1	WT.:

MAT'L SPEC.	PART NUMBER	PAGE
	0024789	1 of 1



- NOTE**
- [Y] WHERE Y REFERS TO THE B.O.M. ITEM NUMBER.
 - ALL ELECTRICAL CHASSIS GROUND CONNECTIONS WILL USE STAR WASHERS.
 - ALL EXTERIOR WIRING CONNECTIONS WILL BE COVERED WITH MASTIC LINED HEAT SHRINK TUBING.
 - FB - FUSE BLOCK


NEXT ASSY.: NONE		SUPERCEDES: 0017994		DO NOT SCALE DRAWING		MARK PART NUMBER AND REVISION ON ALL PARTS	
REV.	BY	DATE	DESCRIPTION	ER NUMBER	MATERIAL SPEC SEE B.O.M.		
C	BJM	8/28/97	ADDED OPTIONAL SWITCH	02377	PART NUMBER 0021585		
B	DWR	04/02/94	ADD P/N FOR ENTRY DOOR OPEN LIMIT SWITCH	01634	PAGE 1 of 2		
A	DWR	04/05/94	ALL WIRES TO BE 24 AWG FOR ADDITIONAL COURTESY LIT.	00837			
-	DWR	07/11/94	RELEASE TO PRODUCTION	00790			
TOLERANCE UNLESS SPECIFIED				DRAWING INFORMATION			
FRACTIONS ± 1/16				DRAWN: FEE C1			
DECIMALS .00 ± .05				DATE: 07/09/94			
ANGLES ± 1 DEG.				SCALE: 1=1			

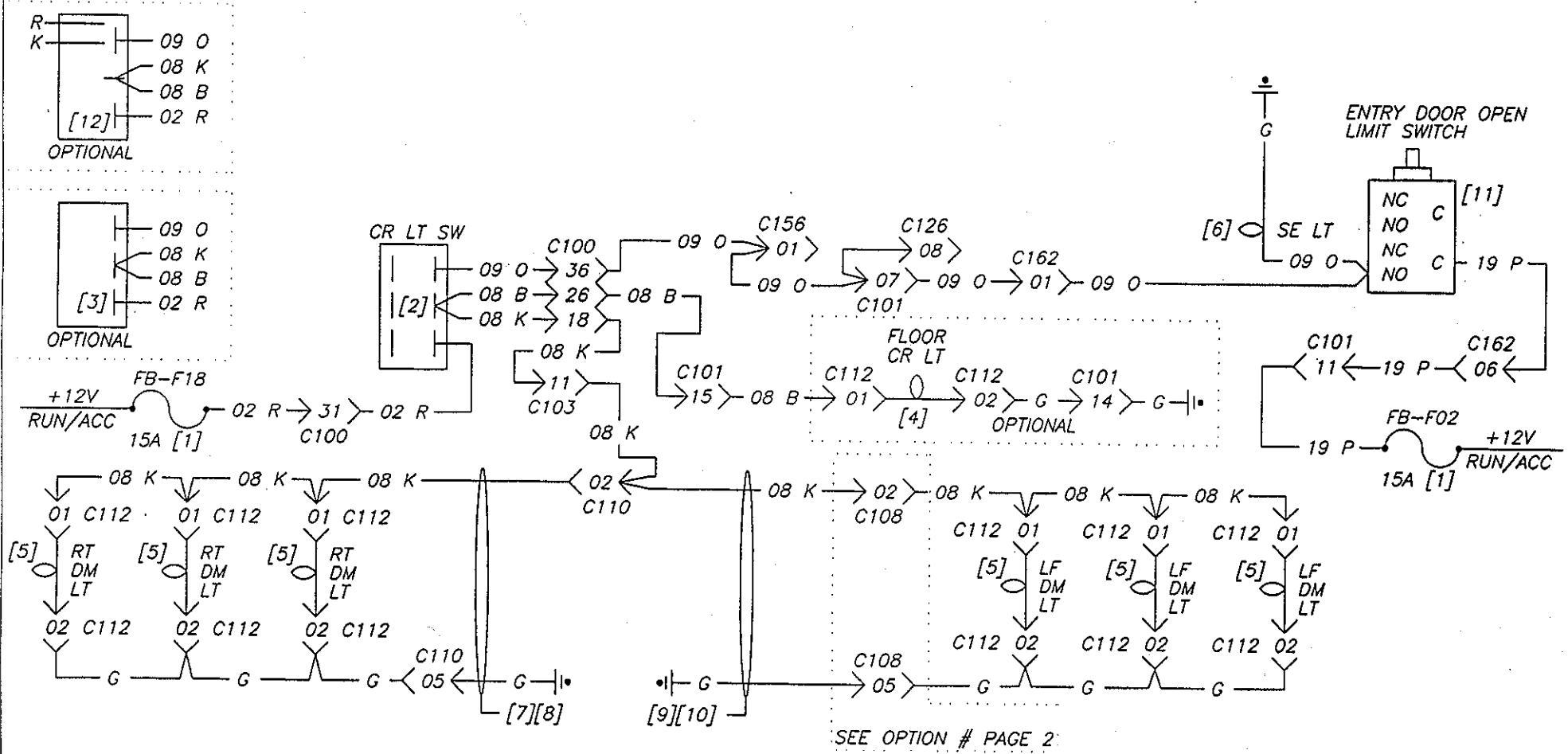


ELDORADO NATIONAL CO. A THOR INDUSTRIES COMPANY
 TITLE: SCHEMATIC, 94 1/2 COURTESY LIGHTS
 PART NUMBER: 0021585
 PAGE: 1 of 2

ITEM	QTY.	PART NO.	DESCRIPTION
1	2	63069	FUSE, 15A BLADE
2	1	68121	SWITCH, DPDT ON/ON D-TOGGLE
3	REF	68119	SWITCH, SPDT ON/ON BAT
4	REF	64603	LIGHT, RECT FLOOR COURTESY
5	6	65040	LIGHT, COURTESY 2 X 5
6	REF	63890	LIGHT, WHEEL CHAIR DOOR
7	REF	0016147	HARNESS, AERO RIGHT READING LIGHTS
8	REF	0016188	HARNESS, TAG AXLE RIGHT READING LIGHTS
9	REF	0016148	HARNESS, AERO LEFT READING LIGHTS
10	REF	0016189	HARNESS, TAG AXLE LEFT READING LIGHTS
11	REF	0001747	SWITCH, DPDT MICRO
12	REF	68067	SWITCH, ROCKER ON/ON/SPST
13			
14			
15			

△
B
△
C

NEXT ASSY.: NONE		C		BJM	8/28/97	ADDED OPTIONAL SWITCH	02377	 304 AVENUE B 50. INDUSTRIAL AREA SALINA, KS. 67401 EL Dorado NATIONAL CO. A THOR INDUSTRIES COMPANY TITLE: SCHEMATIC, 94 1/2 COURTESY LIGHTS
SUPERCEDES: 0017994		B		DWR	04/02/96	ADD P/N FOR ENTRY DOOR OPEN LIMIT SWITCH	01634	
DO NOT SCALE DRAWING		A		DWR	08/05/94	DEL WIRES CAB # ON TOP ADDITIONAL COURTESY LIGHTS	00637	
MARK PART NUMBER AND REVISION ON ALL PARTS		-		DWR	07/11/94	RELEASE TO PRODUCTION	00790	
THIS DRAWING IS THE PROPERTY OF EL DORADO NATIONAL COMPANY, A THOR INDUSTRIES COMPANY AND IS NOT TO BE DUPLICATED OR USED IN ANY WAY DETRIMENTAL TO THEIR BEST INTEREST.		REV.	BY	DATE	DESCRIPTION	ER NUMBER	MATERIAL SPEC. SEE B.O.M.	
TOLERANCE UNLESS SPECIFIED		DRAWING INFORMATION		PART NUMBER		PAGE		
FRACTIONS ± 1/16		DRAWN: FEE (E) CKD:		0021585		2 of 2		
DECIMALS .00 ± .06		DATE: 07/09/94		SIZ: B				
ANGLES ± 1 DEG.		SCALE: 1-1		WT:				



SEE OPTION # PAGE 2

- NOTE**
- [Y] WHERE Y REFERS TO THE B.O.M. ITEM NUMBER.
 - ALL ELECTRICAL CHASSIS GROUND CONNECTIONS WILL USE STAR WASHERS.
 - ALL EXTERIOR WIRING CONNECTIONS WILL BE COVERED WITH MASTIC LINED HEAT SHRINK TUBING.
 - NS - NOT SHOWN
 - #-2 REFERS TO WIRE LABEL #2.

NEXT ASSY.: NONE									
SUPERCEDES: 0021897									
DO NOT SCALE DRAWING		- JMW 9/10/97		RELEASE TO PRODUCTION		02708			
MARK PART NUMBER AND REVISION ON ALL PARTS		REV. BY DATE		DESCRIPTION		ER NUMBER		MATERIAL SPEC.	
THIS DRAWING IS THE PROPERTY OF ELDERADO NATIONAL COMPANY, A THOR INDUSTRIES COMPANY AND IS NOT TO BE DUPLICATED OR USED IN ANY WAY DETRIMENTAL TO THEIR BEST INTEREST.		TOLERANCE UNLESS SPECIFIED		DRAWING INFORMATION		PART NUMBER		PAGE	
		FRACTIONS ± 1/16		DRAWN: VVA/R		0024082		1 of 2	
		DECIMALS .00 ± .05		DATE: 9/10/97					
		ANGLES ± 1 DEG.		SCALE: NTS					

ENC

304 AVENUE B
 501 INDUSTRIAL AREA
 SALINA, KS. 67401

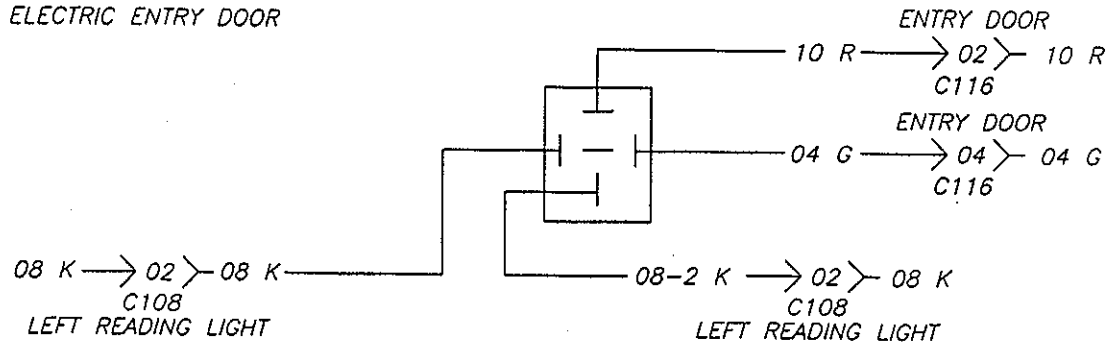
ELDERADO NATIONAL CO. A THOR INDUSTRIES COMPANY

TITLE:
 LIGHTS, ADDITIONAL COURTESY

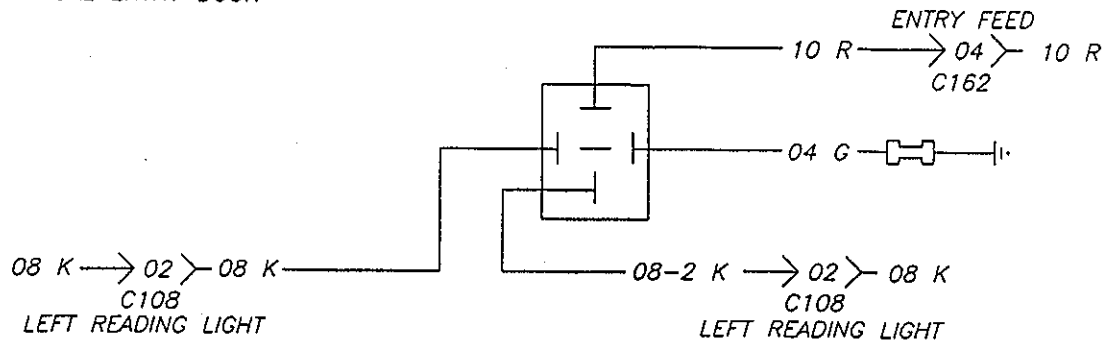
MATERIAL SPEC.
 SEE B.O.M.

PART NUMBER
 0024082

**OPTION 1
ELECTRIC ENTRY DOOR**



**OPTION 2
MANUAL ENTRY DOOR**



ITEM	QTY.	PART NO.	DESCRIPTION
1	1	0024069	HARNESS, ADD CTSY LIGHT ELEC DOOR
2	1	65040	LIGHT, COURTESY 2 X 5
3	1	62772	2-CKT CONN. CAP
4	2	62765	SOCKET, 14-16 AWG
5	REF	68121	SWITCH, DPDT ON/ON D-TOGGLE
6	REF	63890	LIGHT, WHEEL CHAIR DOOR
7	REF	0016147	HARNESS, AERO RIGHT READING LIGHTS
8	REF	0016188	HARNESS, TAG AXLE RIGHT READING LIGHTS
9	REF	0016148	HARNESS, AERO LEFT READING LIGHTS
10	REF	0016189	HARNESS, TAG AXLE LEFT READING LIGHTS
11	REF	0001747	SWITCH, DPDT MICRO
12	REF	68067	SWITCH, ROCKER ON/ON/SPST
13	REF	63069	FUSE, 15A BLADE
14	REF	68119	SWITCH, SPDT ON/ON BAT
15	REF	64603	LIGHT, RECT FLOOR COURTESY
16	REF	0024070	HARNESS, ADD CTSY LIGHT MAN DOOR

NOTE

1. [Y] WHERE Y REFERS TO THE B.O.M. ITEM NUMBER.
2. ALL ELECTRICAL CHASSIS GROUND CONNECTIONS WILL USE STAR WASHERS.
3. ALL EXTERIOR WIRING CONNECTIONS WILL BE COVERED WITH MASTIC LINED HEAT SHRINK TUBING.
4. NS - NOT SHOWN
5. #-2 REFERS TO WIRE LABEL #2.

NEXT ASSY.: NONE
 SUPERCEDES: 0021897
DO NOT SCALE DRAWING
 MARK PART NUMBER AND REVISION ON ALL PARTS
 THIS DRAWING IS THE PROPERTY OF ELDERADO NATIONAL COMPANY, A THOR INDUSTRIES COMPANY AND IS NOT TO BE DUPLICATED OR USED IN ANY WAY DETRIMENTAL TO THEIR BEST INTEREST.

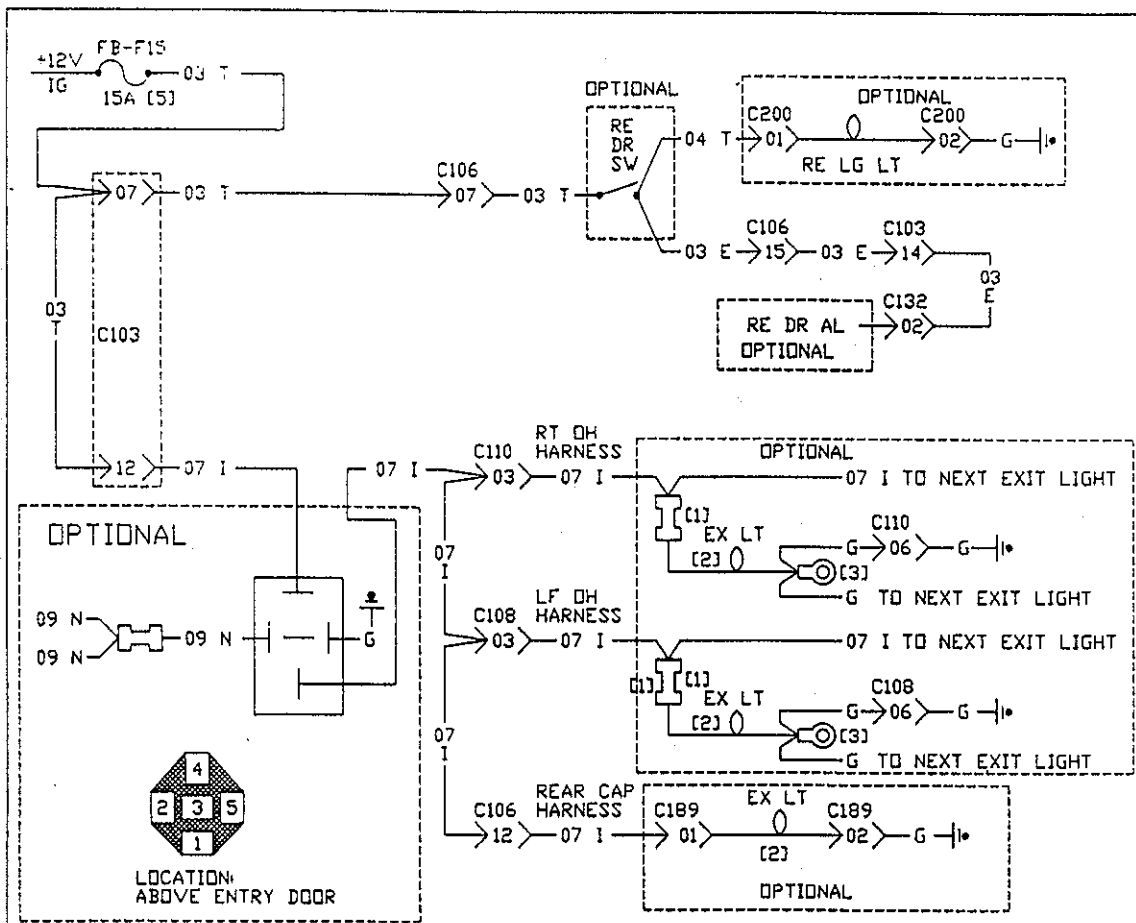
REV.	BY	DATE	DESCRIPTION	ER NUMBER
-	JWW	5/10/97	RELEASE TO PRODUCTION	02708
TOLERANCE UNLESS SPECIFIED		DRAWING INFORMATION		
FRACTIONS ± 1/16		DRAWN BY: A.F.D.	CHKD.:	
DECIMALS .00 ± .06		DATE: 9/10/97	SIZE: 8	
ANGLES ± 1 DEG.		SCALE: NTS	WT.:	

ENC
 304 AVENUE B
 SO. INDUSTRIAL AREA
 SALINA, KS. 67401

ELDERADO NATIONAL CO. A THOR INDUSTRIES COMPANY
 TITLE:
 LIGHTS, ADDITIONAL COURTESY


MAT'L SPEC.
 SEE B.O.M.
 PART NUMBER
0024082

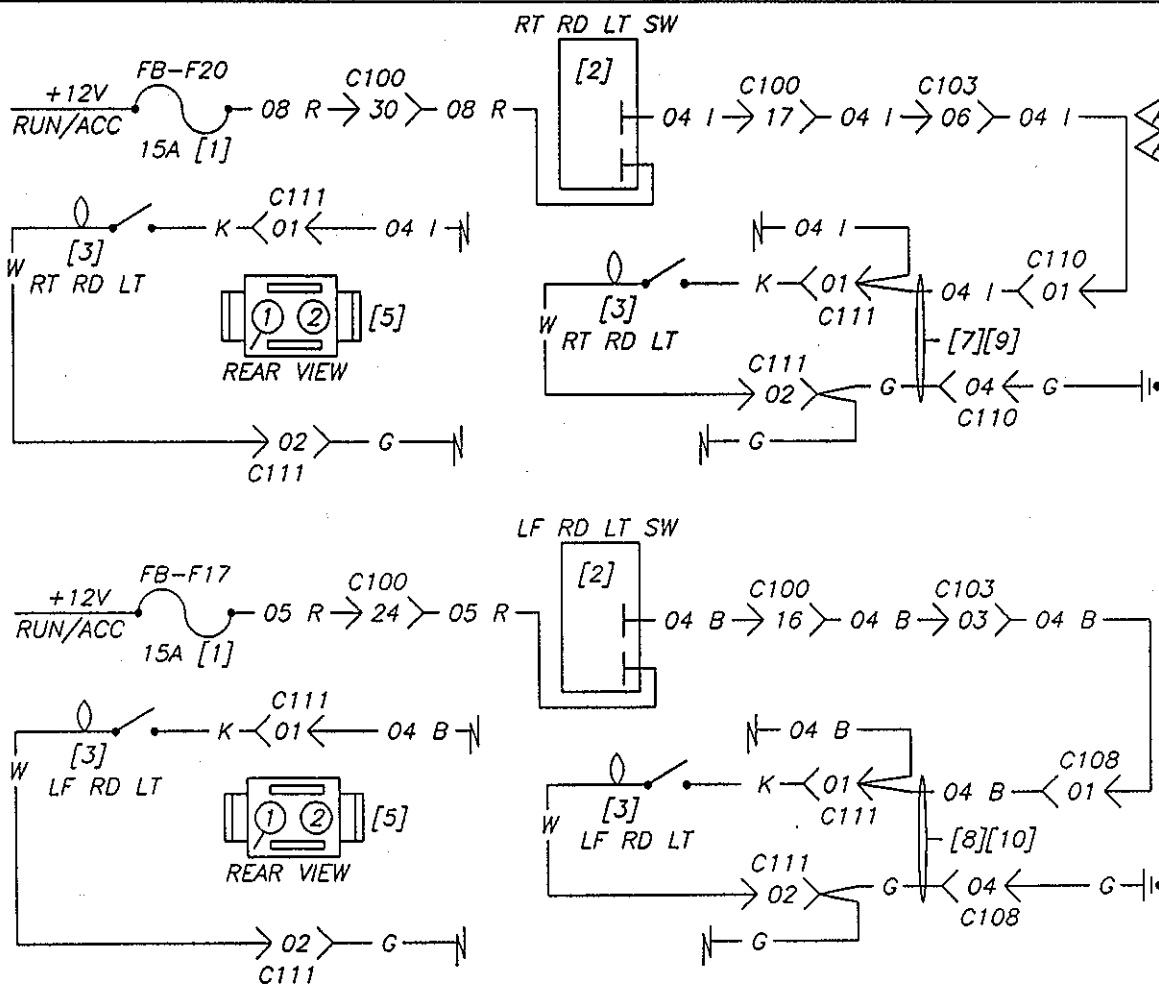
PAGE
2 of 2



ITEM	QTY.	PART NO.	DESCRIPTION
1	1	61680	CONN, BUTT 10-12 AWG INS
2	1	64172	LIGHT, MARKER RED OBLONG
3	1	62160	CONN, RING 10-12 AWG X #10 INS
4	2	116120	SCREW, SMS #8 X 1" PH PHIL
5	1	63069	FUSE, 15A BLADE
6	-	-	-
7	-	-	-
8	-	-	-
9	-	-	-
10	-	-	-

NOTE:
 1. [Y] WHERE Y REFERS TO THE B.O.M. ITEM NUMBER.
 2. ALL ELECTRICAL CHASSIS GROUND CONNECTIONS WILL USE STAR WASHERS.

NEXT ASSY.: NONE		SUPERCEDES: NONE		DO NOT SCALE DRAWING		MARK PART NUMBER AND REVISION ON ALL PARTS	
REV.	BY	DATE	DESCRIPTION	ER NUMBER	MATERIAL SPEC. SEE B.O.M.		
C	AJD	10/31/94	UPDATE DWG	0096+	 304 AVENUE B 5D, INDUSTRIAL AREA SALINA, KS. 67401 ELDERADO NATIONAL CO. A THOR INDUSTRIES COMPANY TITLE: SCHEMATIC, '92 EGRESS LIGHTS #7184		
B	DWR	07/06/93	CHG BOM FORMAT	00270			
A	DWR	09/30/91	ADD OPTIONAL RELAY	0010+			
A	DWR	5/8/92	RELEASE TO PRODUCTION	00104	TOLERANCE UNLESS SPECIFIED: FRACTIONS ± 1/16, DECIMALS .00 ± .06, ANGLES ± 1 DEG. DRAWING INFORMATION: DRAWN: REED, CKD.: DATE: 5/8/92, SIZE: B, SCALE: NTS, WT.: PART NUMBER: 0017993		
					PAGE 1 OF 1		



ITEM	QTY.	PART NO.	DESCRIPTION
1	2	63069	FUSE, 15 A BLADE
2	2	0001086	SWITCH, SPST ON/OFF D-TOG
3	1	64923	LIGHT, '98 SINGLE READING
4	1	0024785	ASM & INSTALL, '98 SINGLE READING LIGHT
5	1	62772	PLUG, 2-CIRCUIT
6	2	62765	SOCKET, 14-18 AWG REEL
7	REF	0016147	HARNESS, AERO RIGHT READING LIGHTS
8	REF	0016148	HARNESS, AERO LEFT READING LIGHTS
9	REF	0016188	HARNESS, AERO TAG AXLE RIGHT READING LTS
10	REF	0016189	HARNESS, AERO TAG AXLE LEFT READING LTS

NOTE

- [Y] WHERE Y REFERS TO THE B.O.M. ITEM NUMBER.
- ALL ELECTRICAL CHASSIS GROUND CONNECTIONS WILL USE STAR WASHERS.
- ALL EXTERIOR WIRING CONNECTIONS WILL BE COVERED WITH MASTIC LINED HEAT SHRINK TUBING.
- NS - NOT SHOWN
- FB - FUSE BLOCK
- B.O.M. ITEMS 3 THRU 6 NEED 1 PER LIGHT LOCATION.

NEXT ASSY.: NONE
 SUPERCEDES: 0017998
DO NOT SCALE DRAWING
 MARK PART NUMBER AND REVISION ON ALL PARTS

THIS DRAWING IS THE PROPERTY OF ELDORADO NATIONAL COMPANY, A THOR INDUSTRIES COMPANY AND IS NOT TO BE DUPLICATED OR USED IN ANY WAY DETRIMENTAL TO THEIR BEST INTEREST.

REV.	BY	DATE	DESCRIPTION	QR NUMBER
A	JWW	4/17/98	CHANGED READING LIGHT AND INSTALL	03508
-	DWR	01/26/94	RELEASE TO PRODUCTION	00814

TOLERANCE UNLESS SPECIFIED

FRACTIONS	± 1/16
DECIMALS	.00 ± .08
ANGLES	± 1 DEG.

DRAWING INFORMATION

DRAWN: FR E E D	CRD:
DATE: 07/29/94	SEE: 8
SCALE: NTS	WT:

ENC 304 AVENUE B
 SO. INDUSTRIAL ARCA
 SALINA, KS. 67401

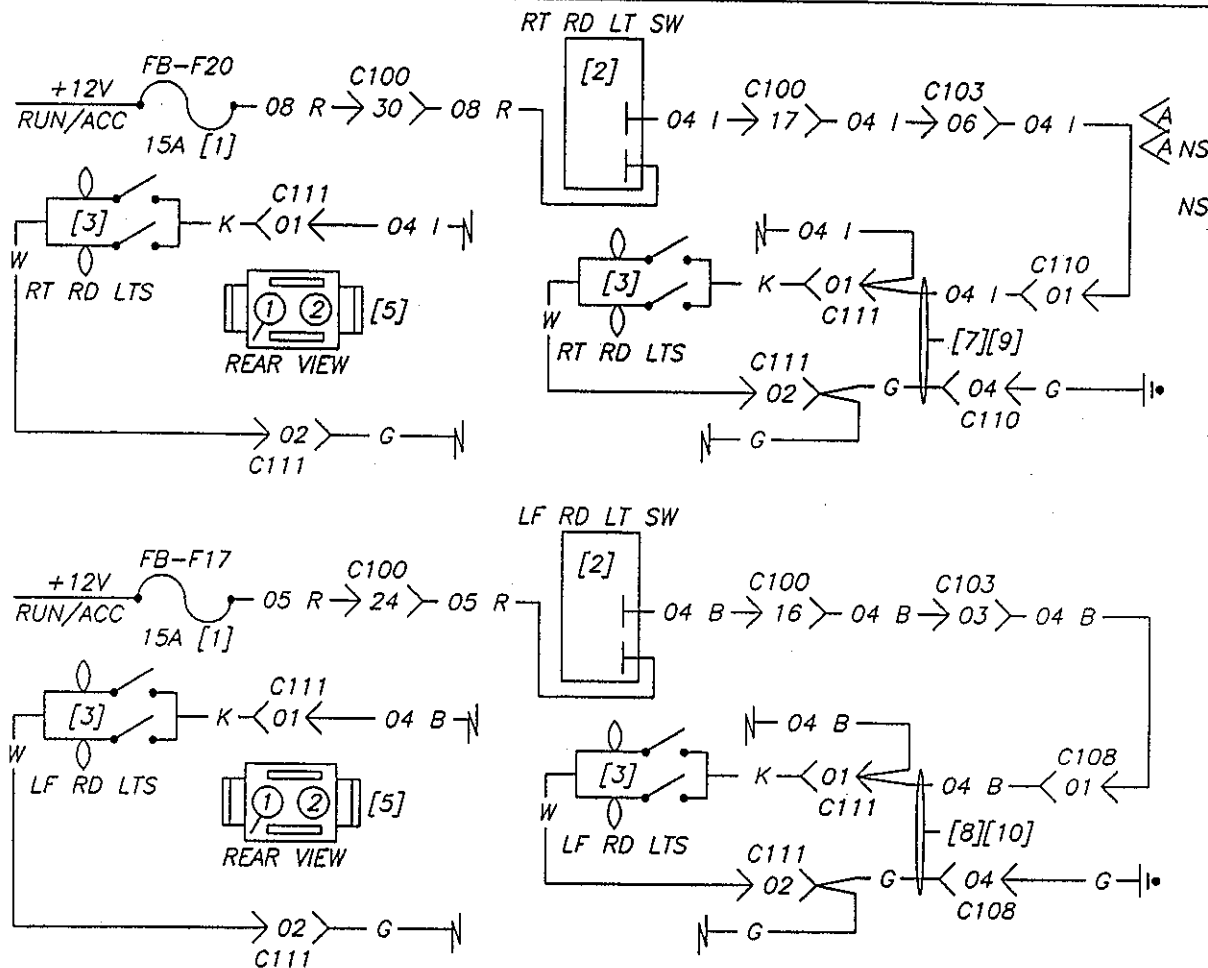
ELDORADO NATIONAL CO. A THOR INDUSTRIES COMPANY

TITLE:
 LIGHT SCHEMATIC, '98 SINGLE READING #7729

MAT' SPEC:
 SEE B.O.M.

PART NUMBER
 0021619

PAGE
 1 of 1



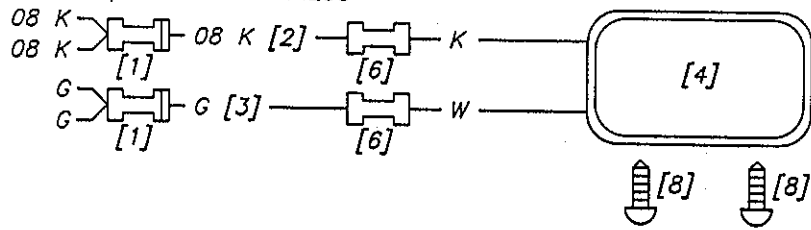
ITEM	QTY.	PART NO.	DESCRIPTION
1	2	63069	FUSE, 15 A BLADE
2	2	0001086	SWITCH, SPST ON/OFF D-TOG
3	1	64922	LIGHT, '98 DUAL READING
4	1	0024783	ASM & INSTALL, '98 DUAL READING LIGHT
5	1	62772	PLUG, 2-CIRCUIT
6	2	62765	SOCKET, 14-18 AWG REEL
7	REF	0016147	HARNES, AERO RIGHT READING LIGHTS
8	REF	0016148	HARNES, AERO LEFT READING LIGHTS
9	REF	0016188	HARNES, AERO TAG AXLE RIGHT READING LTS
10	REF	0016189	HARNES, AERO TAG AXLE LEFT READING LTS

- NOTE
1. [Y] WHERE 'Y' REFERS TO THE B.O.M. ITEM NUMBER.
 2. ALL ELECTRICAL CHASSIS GROUND CONNECTIONS WILL USE STAR WASHERS.
 3. ALL EXTERIOR WIRING CONNECTIONS WILL BE COVERED WITH MASTIC LINED HEAT SHRINK TUBING.
 4. NS - NOT SHOWN
 5. FB - FUSE BLOCK
 6. B.O.M. ITEMS 3 THRU 6 NEED 1 PER LIGHT LOCATION.

NEXT ASSY.: NONE				ELDORADO NATIONAL CO. A THOR INDUSTRIES COMPANY	
SUPERCEDES: 0017998		A	JWW 6/16/94	CHANGED LIGHT AND ASM	03508
DO NOT SCALE DRAWING		-	DWR 07/26/94	RELEASE TO PRODUCTION	00814
MARK PART NUMBER AND REVISION ON ALL PARTS		REV.	BY	DATE	DESCRIPTION
THIS DRAWING IS THE PROPERTY OF ELDERADO NATIONAL COMPANY, A THOR INDUSTRIES COMPANY AND IS NOT TO BE DUPLICATED OR USED IN ANY WAY DETRIMENTAL TO THEIR BEST INTEREST.		TOLERANCE UNLESS SPECIFIED		DRAWING INFORMATION	
		FRACTIONS ± 1/16		DRAWN: REED CROZ	
		DECIMALS .00 ± .02		DATE: 07/23/94	
		ANGLES ± 1 DEG.		SCALE: NTS	
				MATERIAL SPEC. SEE B.O.M.	
				PART NUMBER 0021618	
				PAGE 1 of 1	



TO LH O/H OR LT HARNESS



ITEM	QTY.	PART NO.	DESCRIPTION
1	2	61810	CONN, BUTT 10-12/14-16 AWG INS
2	6.00	69050	WIRE, GXL 14 AWG BLACK 08K 1 @ 72.00"
3	6.00	69085	WIRE, GXL 14 AWG GREEN G 1 @ 72.00"
4	1	64801	LIGHT, WHITE PATIO
NS	5	0.10 61631	CONDUIT, RECT 7/8 W X 7/16 H
NS	6	2 61800	CONN, BUTT 14-16 AWG INS
	7	6.00 69850	FLEXLOOM, 1/4 SLIT 1 @ 72.00"
	8	4 116120	SCREW, SMS #8 X 1 PH PHIL
	9	-	-
	10	-	-

NOTE

1. [Y] WHERE Y REFERS TO THE B.O.M. ITEM NUMBER.
2. ALL ELECTRICAL CHASSIS GROUND CONNECTIONS WILL USE STAR WASHERS.
3. ALL EXTERIOR WIRING CONNECTIONS WILL BE COVERED WITH MASTIC LINED HEAT SHRINK TUBING.
4. NS - NOT SHOWN

NEXT ASSY.: NONE
 SUPERCEDES: NONE
 DO NOT SCALE DRAWING
 MARK PART NUMBER AND REVISION ON ALL PARTS

REV.	BY	DATE	DESCRIPTION	ER NUMBER
-	DWR	02/21/85	RELEASE TO PRODUCTION	01116

ENG
 304 AVENUE B AREA
 SC. INDUSTRIAL
 SALINA, KS. 67401

ELDORADO NATIONAL CO. A THOR INDUSTRIES COMPANY

TITLE:
 SCHEMATIC, LUGGAGE RACK LIGHT

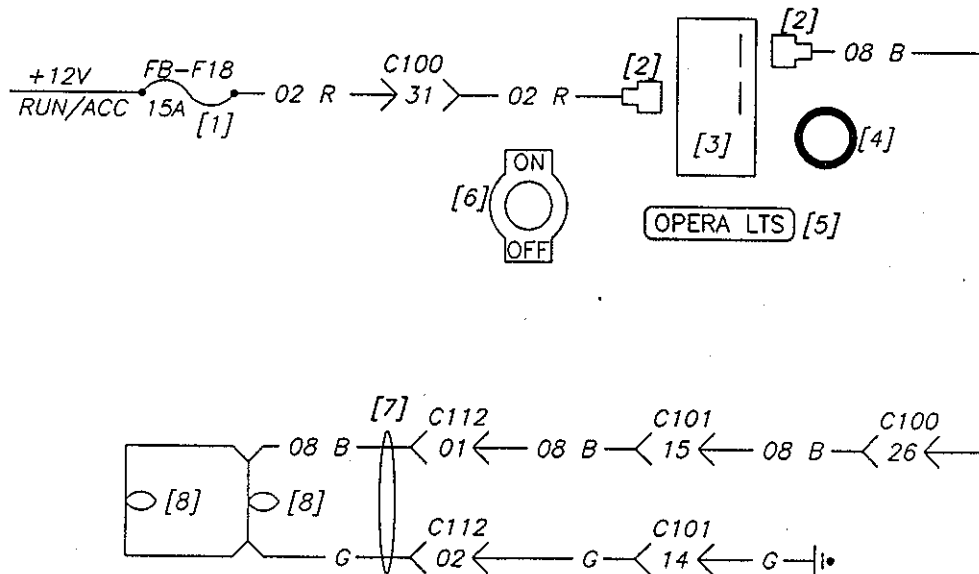
MAT'L SPEC.
 SEE B.O.M.

PART NUMBER
0022068

PAGE
1 of 1

THIS DRAWING IS THE PROPERTY OF ELDORADO NATIONAL COMPANY, A THOR INDUSTRIES COMPANY AND IS NOT TO BE DUPLICATED OR USED IN ANY WAY DETRIMENTAL TO THEIR BEST INTEREST.

TOLERANCE UNLESS SPECIFIED	DRAWING INFORMATION
FRACTIONS ± 1/16	DRAWING: EED CKD:
DECIMALS .00 ± .06	DATE: 02/24/85 SIZE: B
ANGLES ± 1 DEG.	SCALE: NTS WT.:



ITEM	QTY.	PART NO.	DESCRIPTION
1	1	63069	FUSE, 15A BLADE
2	2	62041	CONN, FEM PUSHON 14-16 AWG ENC REEL
3	1	0001086	SWITCH, SPST ON/OFF D-TOG
4	1	68421	NUT, BLK KNURLED DRESS FACE
5	1	70832	DECAL, OPERA LTS
6	1	68081	COVER, SWITCH ON/OFF
7	1	0022069	HARNES, FLOOR COURTESY LTS
8	1	64010	LIGHT, OPRA LT 12V (Y066)
9			
10			

NOTE

- [Y] WHERE Y REFERS TO THE B.O.M. ITEM NUMBER.
- ALL ELECTRICAL CHASSIS GROUND CONNECTIONS WILL USE STAR WASHERS.
- ALL EXTERIOR WIRING CONNECTIONS WILL BE COVERED WITH MASTIC LINED HEAT SHRINK TUBING.

NEXT ASSY.: NONE

SUPERCEDES: NONE

DO NOT SCALE DRAWING

MARK PART NUMBER AND REVISION ON ALL PARTS

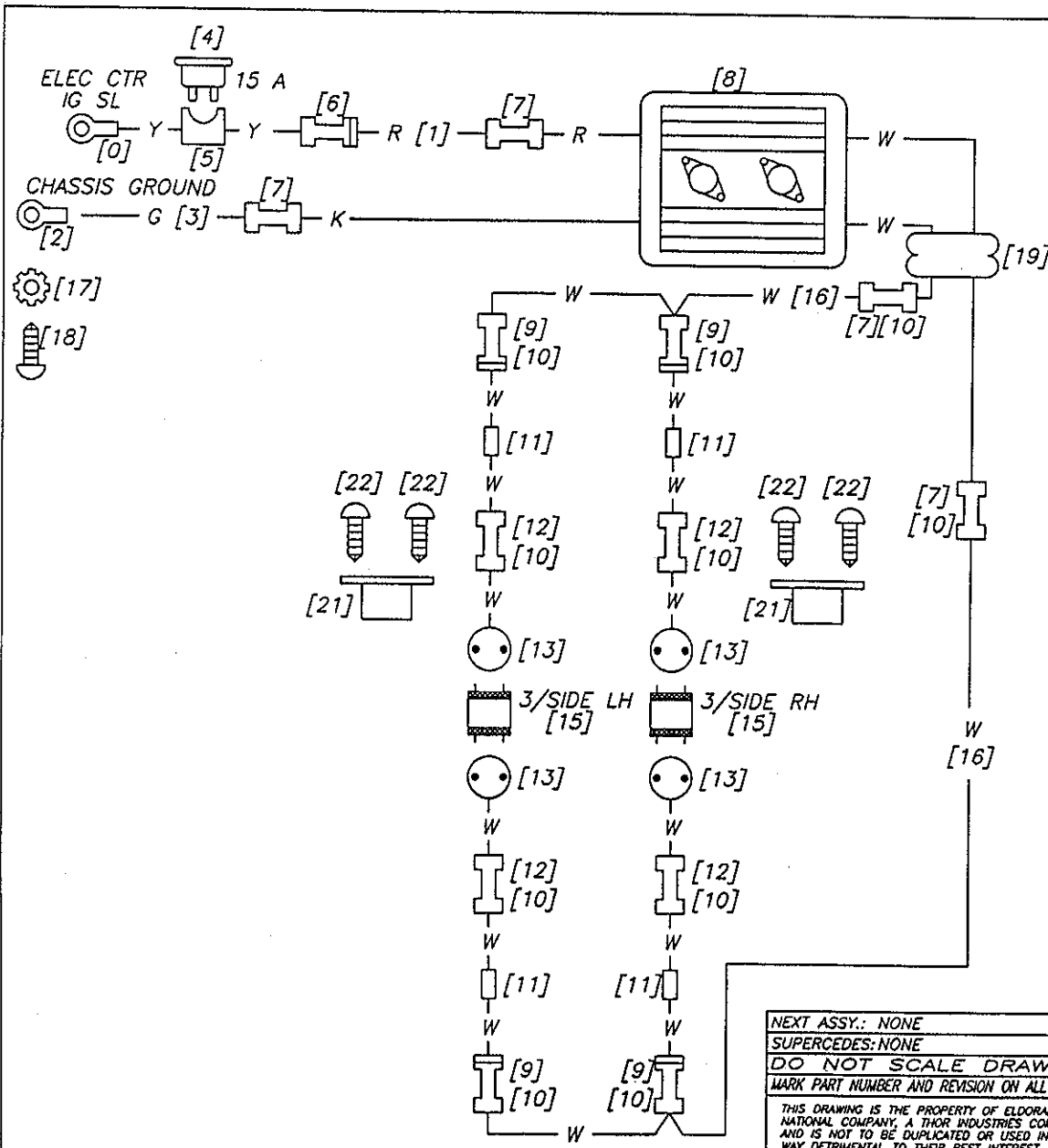
THIS DRAWING IS THE PROPERTY OF ELDORADO NATIONAL COMPANY, A THOR INDUSTRIES COMPANY AND IS NOT TO BE DUPLICATED OR USED IN ANY WAY DETRIMENTAL TO THEIR BEST INTEREST.

REV. BY DATE		DESCRIPTION		ER NUMBER
TOLERANCE UNLESS SPECIFIED		DRAWING INFORMATION		
FRACTIONS	± 1/16	DRAWN	RELEASE TO PRODUCTION	01433
DECIMALS	.00 ± .06	DATE	10/17/95	SIZE: B
ANGLES	± 1 DEG.	SCALE	1=1	WT.:
MATERIAL SPEC. SEE B.O.M.		PART NUMBER		
		0022424		
				PAGE
				1 of 1

ENC
304 AVENUE B
SO. INDUSTRIAL AREA
SALINA, KS. 67401

ELDORADO NATIONAL CO. A THOR INDUSTRIES COMPANY

TITLE:
SCHEMATIC, OPERA LIGHTS



ITEM	QTY.	PART NO.	DESCRIPTION
0	1	62161	CONN, RING 10-12 AWG X 1/4 INS
1	10.00	69065	WIRE, GXL 14 AWG RED R 1 @ 120.00"
2	1	62320	CONN, RING 14-16 AWG X #10 INS
3	4	69085	WIRE, GXL 14 AWG GREEN G 1 @ 48.00"
4	1	63069	FUSE, 15A BLADE
5	1	63241	HOLDER, BLADE FUSE 30A
6	1	61810	CONN, BUTT 10-12/14-16 AWG INS
7	4	61800	CONN, BUTT 14-16 AWG INS
8	1	64540	REACTOR, 12VDC 8-TUBE ELECTRONIC
9	12	61811	CONN, BUTT 14-16/18-22
10	39.00	67037	TUBE, SHRINK 3/8" BLACK 26 @ 1 1/2"
11	12	64540-1	LIMITER, FLUORESCENT TUBE SURGE
12	12	61801	CONN, BUTT 16-22 AWG INS
13	12	64545	CONN, T8 FLUORESCENT TUBE BIPIN
14			
15	6	64547	LIGHT, FLUORESCENT TUBE F32T8/TL735
16	120.00	64549	WIRE, HV 16 AWG WHITE 2 @ 720.00"
17	1	0001305	WASHER, #8 EXT STAR
18	1	116920	SCREW, TEK #8 X 1/2 PH PHIL
19	50.00	69850	FLEXLOOM, 1/4 SLIT 1 @ 600.00"
20	1	0022273	LOCATION, ADVERTIZING RAIL (240)
21	12	50020	GROMMET, 1" ID X 2 3/4" L PLASTIC
22	24	116160	SCREW, SMS #8 X 3/4 PH PHIL
23	2.08	010660	PLYWOOD, .75"
24	.23	100609	FELT, TRUNK ISLANDER CHARG.

NS
 <A
 N.S.
 N.S.

- NOTE
- [Y] WHERE Y REFERS TO THE B.O.M. ITEM NUMBER.
 - ALL ELECTRICAL CHASSIS GROUND CONNECTIONS WILL USE STAR WASHERS.
 - ALL EXTERIOR WIRING CONNECTIONS WILL BE COVERED WITH MASTIC LINED HEAT SHRINK TUBING.
 - B.O.M. #1, 3, AND 16 WILL HAVE 1 TWIST PER INCH.
 - CAUTION - VOLTAGE IS 500 VAC.
 - NS - NOT SHOWN

NEXT ASSY.: NONE
 SUPERCEDES: NONE
 DO NOT SCALE DRAWING
 MARK PART NUMBER AND REVISION ON ALL PARTS

THIS DRAWING IS THE PROPERTY OF EL Dorado NATIONAL COMPANY, A THOR INDUSTRIES COMPANY AND IS NOT TO BE DUPLICATED OR USED IN ANY WAY DETRIMENTAL TO THEIR BEST INTEREST.

REV.	BY	DATE	DESCRIPTION	DR NUMBER
8	BJM	9/1/97	ADD PAGE 2 & ITEM 7 23,24	0000000
A	BJM	4/21/97	CHG. B.O.M. ITEM #18	02851
-	DWR	07/14/95	RELEASE TO PRODUCTION	01306

ENC

304 AVENUE B
 SO. INDUSTRIAL AREA
 SALINA, KS. 67401

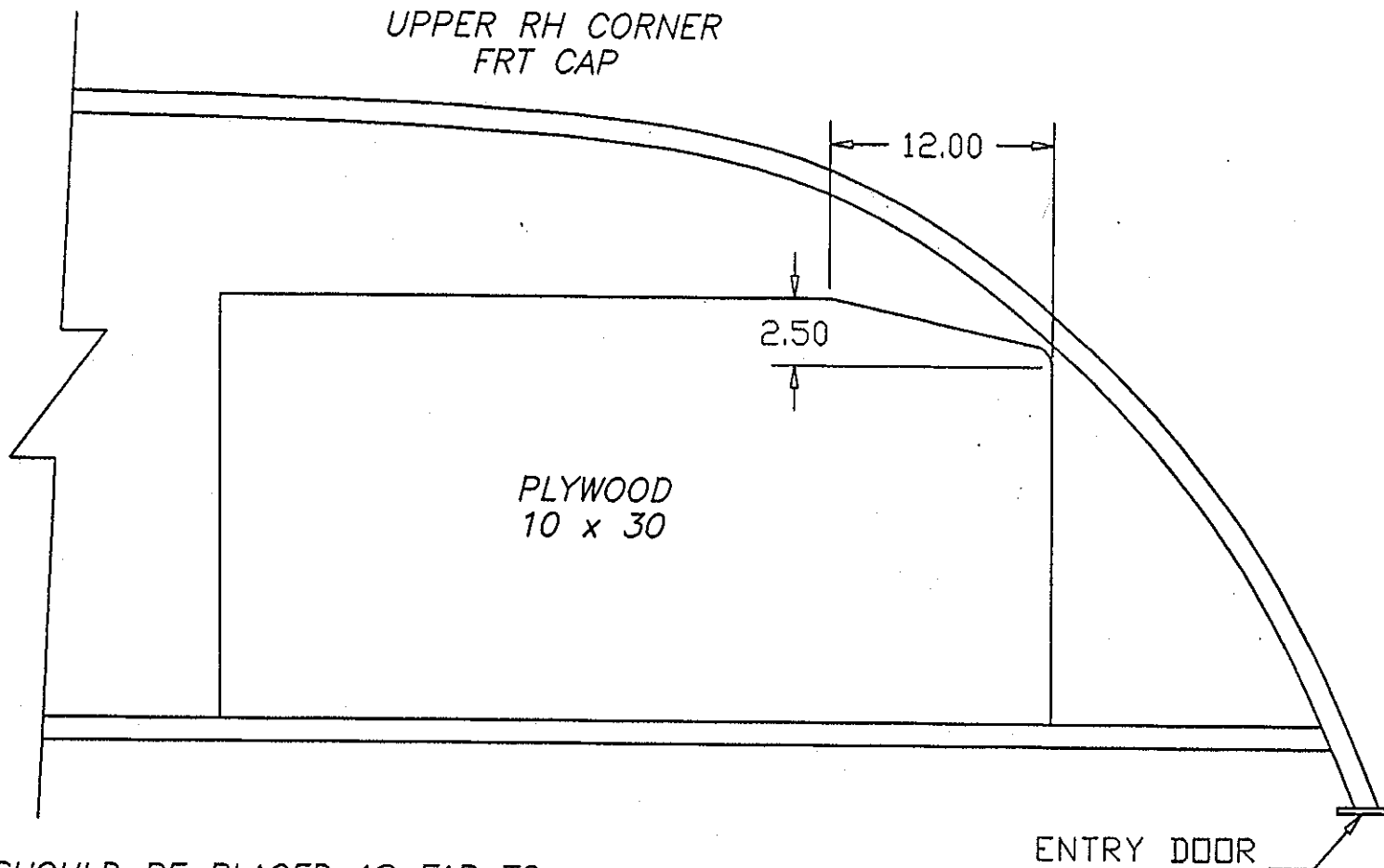
ELDORADO NATIONAL CO. A THOR INDUSTRIES COMPANY

TITLE: SCHEMATIC, BACKLIGHT AD RAIL (240)

MATL SPEC. SEE B.O.M.

PART NUMBER: 0022283

PAGE: 1 of 2



NOTE:
 1) PLYWOOD SHOULD BE PLACED AS FAR TO THE RIGHT HAND SIDE OF FRT CAP AS POSSIBLE

ENTRY DOOR FRAME



304 AVENUE B
 SO. INDUSTRIAL AREA
 SALINA, KS. 67401

NEXT ASSY.: NONE	B	BJM	9/4/97	ADD PAGE 2 & ITEM # 23,24	02705
SUPERCEDES: NONE	A	BJM	8/21/97	CHG. B.O.M. ITEM #16	02651
DO NOT SCALE DRAWING	-	DWR	07/10/95	RELEASE TO PRODUCTION	01306
MARK PART NUMBER AND REVISION ON ALL PARTS	REV.	BY	DATE	DESCRIPTION	ER NUMBER

ELDORADO NATIONAL CO. A THOR INDUSTRIES COMPANY

TITLE:
 SCHEMATIC, BACKLIGHT AD RAIL (240)

THIS DRAWING IS THE PROPERTY OF ELDORADO NATIONAL COMPANY, A THOR INDUSTRIES COMPANY AND IS NOT TO BE DUPLICATED OR USED IN ANY WAY DETRIMENTAL TO THEIR BEST INTEREST.

TOLERANCE UNLESS SPECIFIED		DRAWING INFORMATION	
FRACTIONS	± 1/16	DRAWN: REED	CKD.:
DECIMALS	.00 ± .08	DATE: 06/30/95	SIZE: B
ANGLES	± 1 DEG.	SCALE: 1=1	WT.:

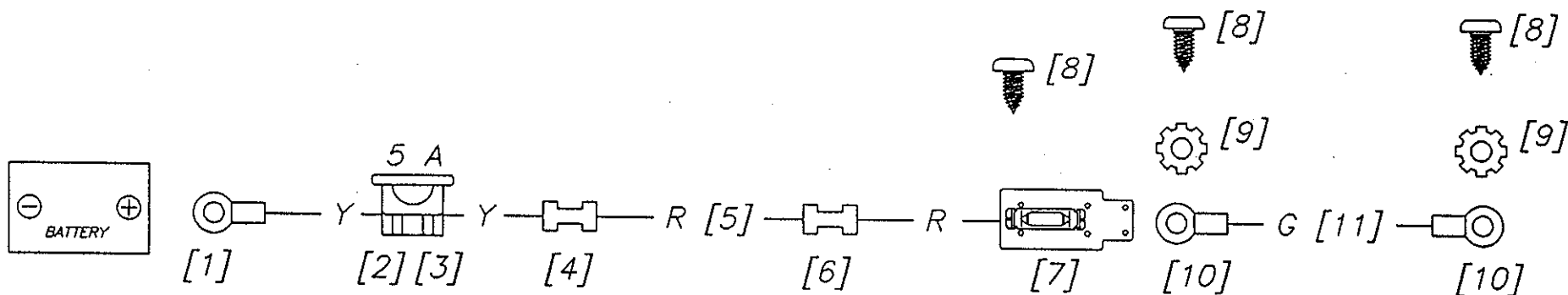
MAT'L SPEC.
 SEE B.O.M.


PART NUMBER
 0022283

NOTE

1. [Y] WHERE Y REFERS TO THE B.O.M. ITEM NUMBER.
2. ALL ELECTRICAL CHASSIS GROUND CONNECTIONS WILL USE STAR WASHERS.
3. ALL EXTERIOR WIRING CONNECTIONS WILL BE COVERED WITH MASTIC LINED HEAT SHRINK TUBING.
4. NS - NOT SHOWN ON THIS DRAWING

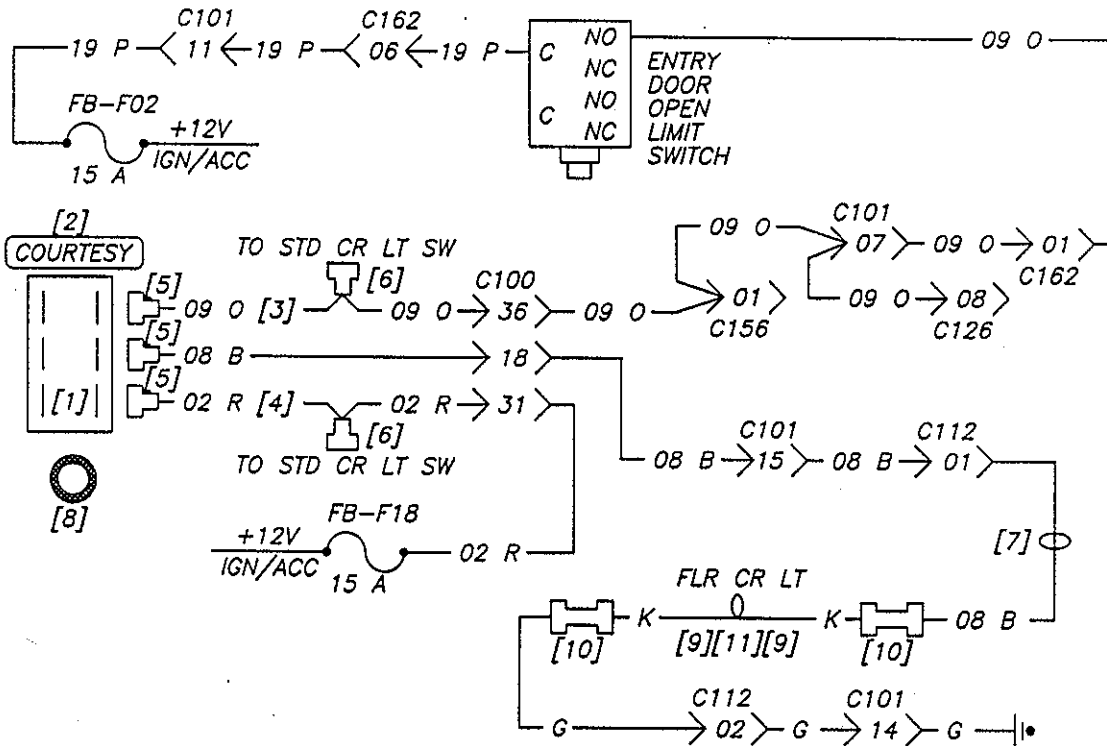
ITEM	QTY.	PART NO.	DESCRIPTION
1	1	62282	CONN, RING 10-12 AWG x 5/16 INS
2	1	63066	FUSE, 5A BLADE
3	1	63241	HOLDER, BLADE FUSE
4	1	61810	CONN, BUTT 10-12/14-16 AWG INS
5	10.00	69766	WIRE, GXL 16 AWG RED R 120.00"
6	1	61811	CONN, BUTT 14-16/18-22 AWG INS
7	1	64700	LIGHT, ENG COMP W/MERCURY SW
8	3	116920	SCREW, TEK #8 x 1/2 PH PHIL
9	2	0001305	WASHER, #8 EXT STAR
10	2	62320	CONN, RING 14-16 AWG x #10 INS
11	5.00	69785	WIRE, GXL 16 AWG GREEN G 60.00"
NS 12	10.00	69850	FLEXLOOM, 1/4 SLIT 120.00"



NEXT ASSY.: NONE						 304 AVENUE B SO. INDUSTRIAL AREA SALINA, KS. 67401	
SUPERCEDES: NONE		A DWR 02/19/96		ADDED OPTION # TO TITLE			
DO NOT SCALE DRAWING		- AJD 10/18/94		RELEASE TO PRODUCTION		00950	
MARK PART NUMBER AND REVISION ON ALL PARTS		REV.	BY	DATE	DESCRIPTION	ER NUMBER	
THIS DRAWING IS THE PROPERTY OF ELDORADO NATIONAL COMPANY, A THOR INDUSTRIES COMPANY AND IS NOT TO BE DUPLICATED OR USED IN ANY WAY DETRIMENTAL TO THEIR BEST INTEREST.		TOLERANCE UNLESS SPECIFIED			DRAWING INFORMATION		
		FRACTIONS ± 1/16			DRAWN: DIEHL CKD.:		
		DECIMALS .00 ± .06			DATE: 10/18/94 SIZE: A		
		ANGLES ± 1 DEG.			SCALE: 1=2 WT.:		
						MAT'L SPEC. SEE BOM	
						PART NUMBER 0021788	
						PAGE 1 OF 1	

ELDORADO NATIONAL CO. A THOR INDUSTRIES COMPANY

TITLE:
SCHEMATIC, ENGINE COMPARTMENT LIGHT #7169



NS

ITEM	QTY.	PART NO.	DESCRIPTION
1	1	68121	SWITCH, DPDT ON/NONE/ON D-TOG
2	1	0011300-014	DECAL, COURTESY
3	1.00	69025	WIRE, GXL 14 AWG ORANGE 090 1 @ 12.00"
4	1.00	69065	WIRE, GXL 14 AWG RED 02R 1 @ 12.00"
5	3	62041	CONN, FEM PUSHON 14-16 AWG ENC
6	2	62042	CONN, FEM PUSHON 10-12 AWG ENC
7	1	0022069	HARNES, FLOOR COURTESY LIGHTS
8	1	68421	NUT, BLK KNURLED DRESS FACE
9	20	116121	SCREW, SMS #8 X 1 PH PHIL BLACK
10	20	61800	CONN, BUTT 14-16 AWG INS
11	10	64603	LIGHT, RECT FLOOR COURTESY
12	-	-	-
13	-	-	-
14	-	-	-
15	-	-	-

- NOTE
- [Y] WHERE Y REFERS TO THE B.O.M. ITEM NUMBER.
 - ALL ELECTRICAL CHASSIS GROUND CONNECTIONS WILL USE STAR WASHERS.
 - ALL EXTERIOR WIRING CONNECTIONS WILL BE COVERED WITH MASTIC LINED HEAT SHRINK TUBING.
 - NS - NOT SHOWN

NEXT ASSY.: NONE				304 AVENUE B 501 INDUSTRIAL AREA SALINA, KS, 67401	
SUPERCEDES: NONE					
DO NOT SCALE DRAWING		REV. BY	DATE	RELEASE TO PRODUCTION	0116
MARK PART NUMBER AND REVISION ON ALL PARTS		REV.	BY	DATE	DESCRIPTION
THIS DRAWING IS THE PROPERTY OF EL Dorado NATIONAL COMPANY, A THOR INDUSTRIES COMPANY AND IS NOT TO BE DUPLICATED OR USED IN ANY WAY DETRIMENTAL TO THEIR BEST INTEREST.		TOLERANCE UNLESS SPECIFIED		DRAWING INFORMATION	
		FRACTIONS ± 1/16	DECIMALS .00 ± .06	ANGLES ± 1 DEG.	DRAWN: FRED
				DATE: 02/23/95	SIZE: B
				SCALE: NTS	WT:
				MATERIAL SPEC. SEE B.O.M.	
				PART NUMBER 0022062	
				PAGE 1 of 1	