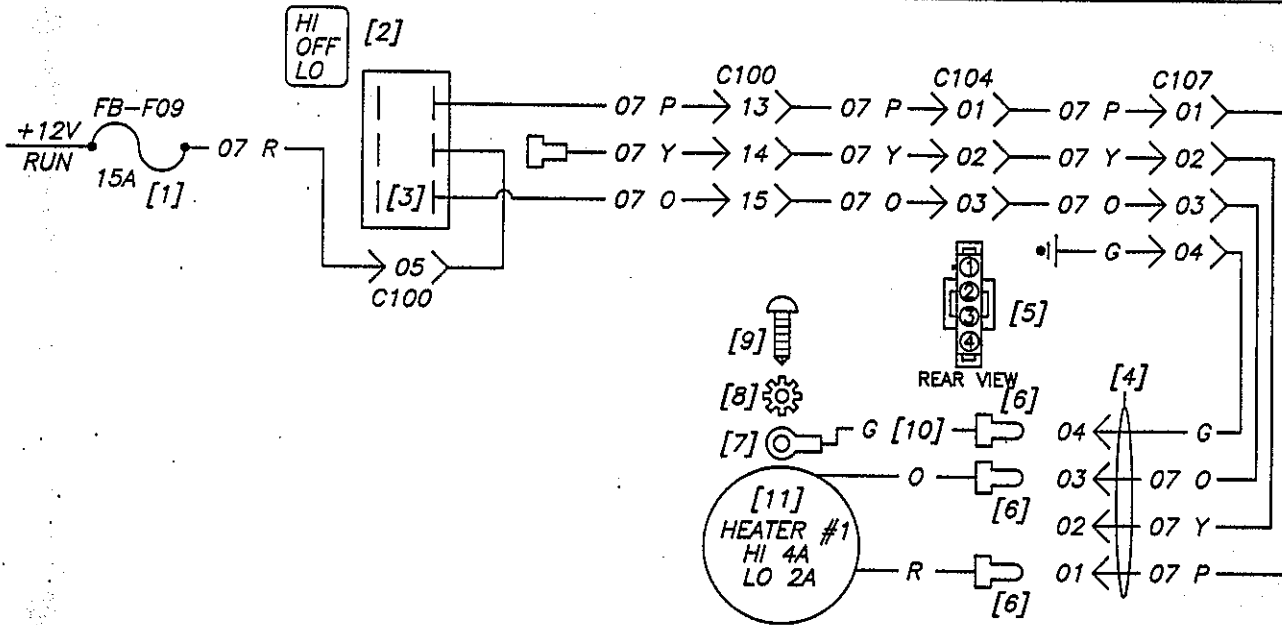
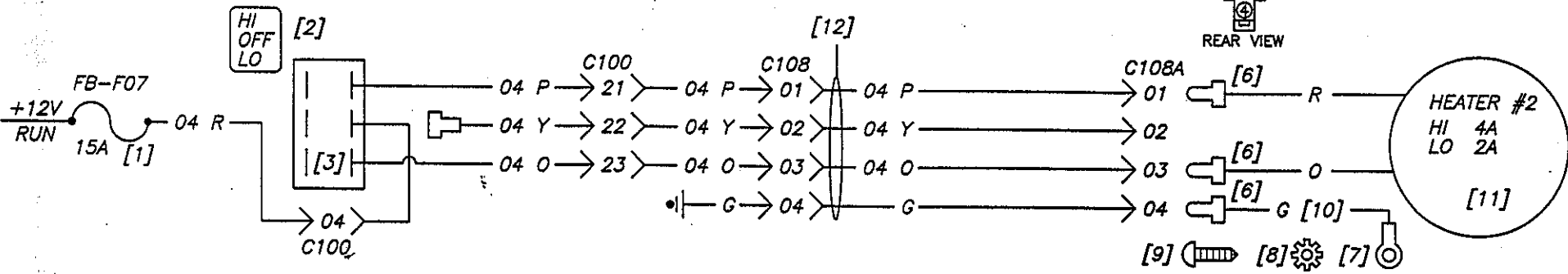


## SECTION 16 - HEATERS

0020273	SCHEMATIC, '93 35K BTU REAR HEATERS
0020274	SCHEMATIC, '93 65K BTU REAR HEATERS
0024037	PUMP, REAR HEATER BOOSTER ASM AT/AL
0024613	BOOSTER PUMP ASM, AT/AL A/C HEAT STRIP W/O FLOOR HEATER
0022944	SCHEMATIC, DRIVER'S 12 KBTU HEATER
0022825	SCHEMATIC, ELECTRIC STEP HEATER
0023570	DIAGRAM, '97 PACE HEATER VACUUM
0024125	HEATER ASM, WEBASTO COOLANT THERMO-90




ITEM	QTY.	PART NO.	DESCRIPTION
1	1	63069	FUSE, ATC 15A
2	1	70714	DECAL, 'HI OFF LO' VERT
3	REF	0001343	SWITCH, DPDT ON/OFF/ON D-TOGGLE
4	REF	0016960	HARNESS, HEATER EXT '92 AEROTECH & HAWK
5	1	62776	PLUG, 4-CIRCUIT
6	3	62764	PIN, 14-18 AWG REEL
7	1	62320	CONN. RING 14-16 AWG X #10 INS
8	1	0001305	WASHER, #8 EXT STAR
9	1	116920	SCREW, TEK #8 X 1/2 PH PHIL
10	1.00	69085	WIRE, GXL 14 AWG GREEN G 1.00'
11	REF	0020238	HEATER, 35K BTU
12	REF	0016959	HARNESS, HEATER #2 EXTENSION
13	-	-	-
14	-	-	-
15	-	-	-
16	-	-	-
17	-	-	-
18	-	-	-
19	-	-	-
20	-	-	-



NOTE:  
 1. [Y] WHERE Y REFERS TO THE B.O.M. ITEM NUMBER.  
 2. ALL ELECTRICAL GROUND CONNECTIONS WILL USE STAR WASHERS.

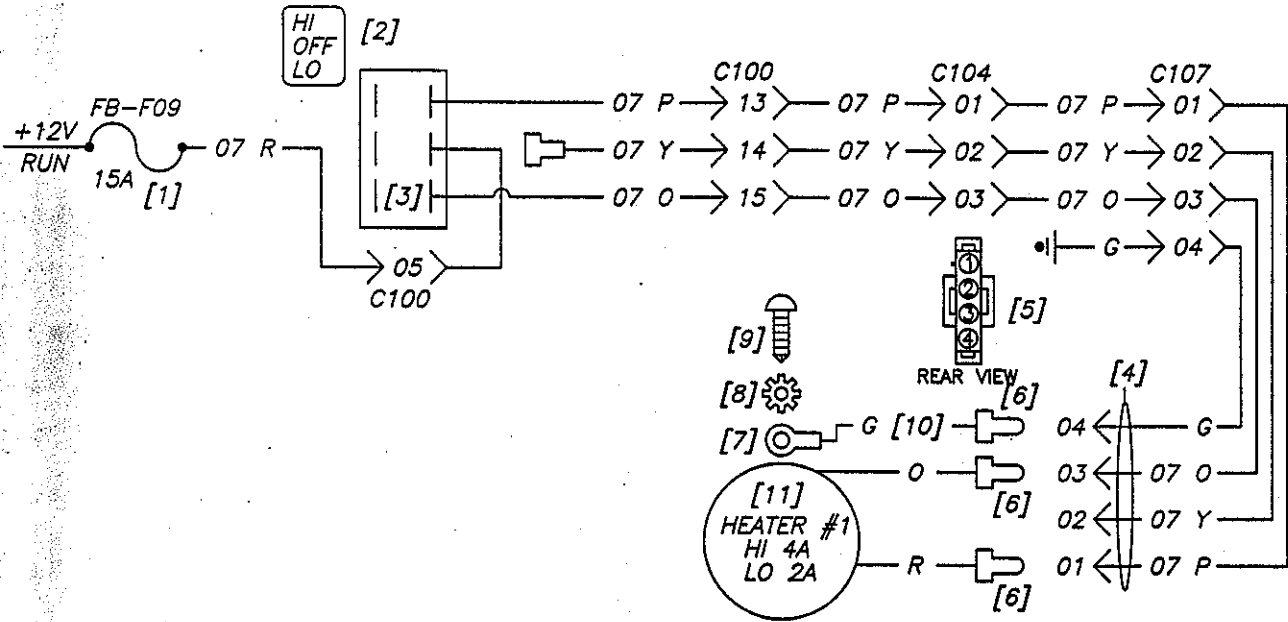
NEXT ASSY.: NONE					
SUPERCEDES: NONE					
DO NOT SCALE DRAWING		DWR 02/20/93	RELEASE TO PRODUCTION	00158	
MARK PART NUMBER AND REVISION ON ALL PARTS		REV.	BY	DATE	DESCRIPTION
THIS DRAWING IS THE PROPERTY OF ELDERADO NATIONAL COMPANY, A THOR INDUSTRIES COMPANY AND IS NOT TO BE DUPLICATED OR USED IN ANY WAY DETRIMENTAL TO THEIR BEST INTEREST.		TOLERANCE UNLESS SPECIFIED		MATH SPEC. SEE B.O.M.	
		FRACTIONS ± 1/16	DRAWN BY E.E.D. CKD.		PART NUMBER
		DECIMALS .00 ± .06	DATE: 02/15/93		SIZE: B
		ANGLES ± 1 DEG.	SCALE: 1=4		WT: 0020273
			THIRD ANGLE		



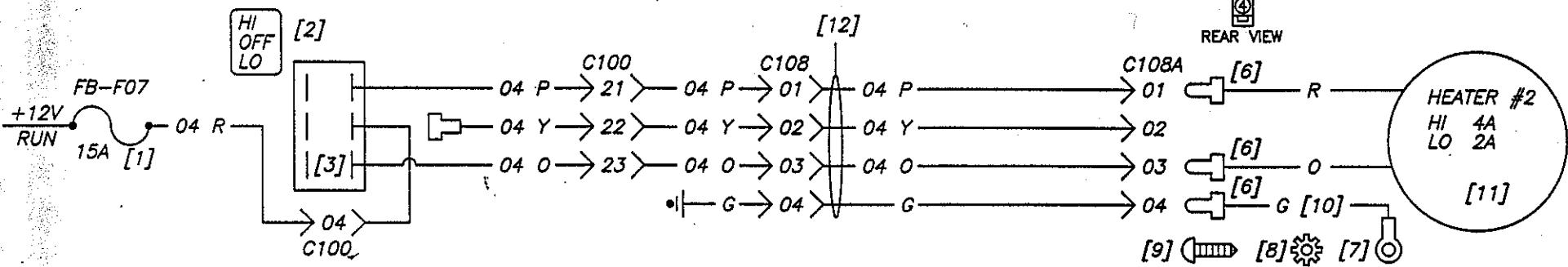
304 AVENUE B  
 SO. INDUSTRIAL AREA  
 SALINA, KS. 67401

ELDERADO NATIONAL CO. A THOR INDUSTRIES COMPANY


TITLE:  
 SCHEMATIC, '93 35K BTU  
 REAR HEATERS #4410



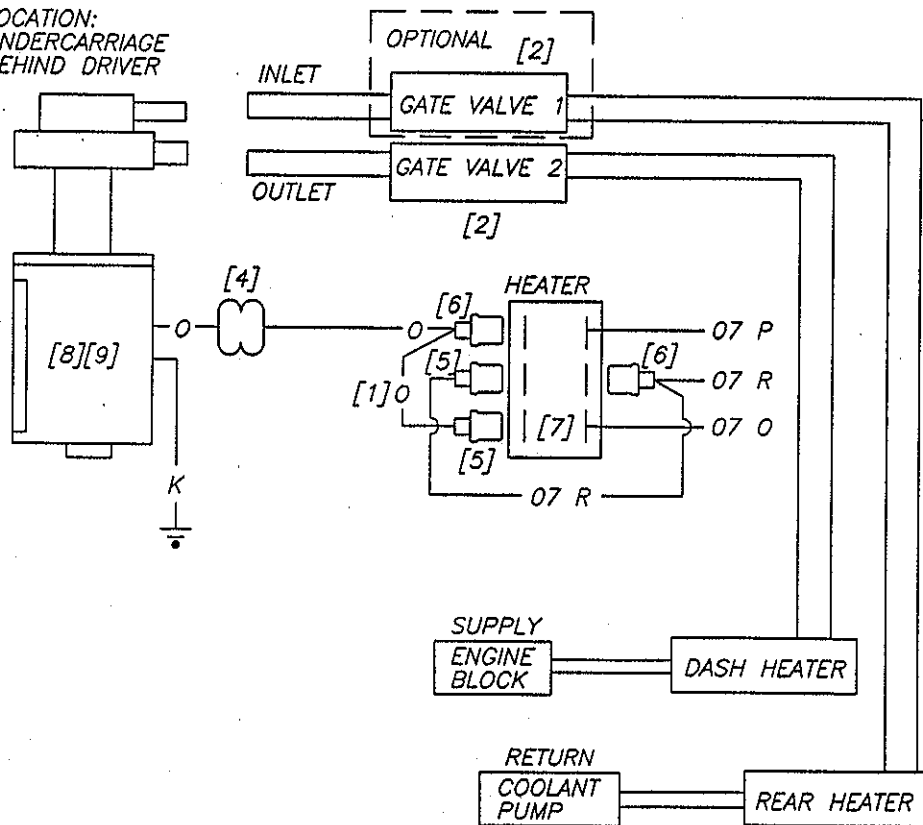
ITEM	QTY.	PART NO.	DESCRIPTION
1	1	63069	FUSE, ATC 15A
2	1	70714	DECAL, 'HI OFF LO' VERT
3	REF	0001343	SWITCH, DPDT ON/OFF/ON D-TOGGLE
4	REF	0016960	HARNES, HEATER EXT '92 AEROTECH & HAWK
5	1	62776	PLUG, 4-CIRCUIT
6	3	62764	PIN, 14-18 AWG REEL
7	1	62320	CONN, RING 14-16 AWG X #10 INS
8	1	0001305	WASHER, #8 EXT STAR
9	1	116920	SCREW, TEK #8 X 1/2 PH PHL
10	1.00	69085	WIRE, GXL 14 AWG GREEN G 1.00'
11	REF	0020239	HEATER, 65K BTU
12	REF	0016959	HARNES, HEATER #2 EXTENSION
13	-	-	-
14	-	-	-
15	-	-	-
16	-	-	-
17	-	-	-
18	-	-	-
19	-	-	-
20	-	-	-



NOTE:  
 1. [Y] WHERE Y REFERS TO THE B.O.M. ITEM NUMBER.  
 2. ALL ELECTRICAL GROUND CONNECTIONS WILL USE STAR WASHERS.

NEXT ASSY.: NONE		RELEASE TO PRODUCTION 00188		 304 AVENUE B SO. INDUSTRIAL AREA SALINA, KS. 67401 ELDERADO NATIONAL CO. A THOR INDUSTRIES COMPANY
SUPERCEDES: NONE		DATE: 02/15/93		
DO NOT SCALE DRAWING - DWR 02/20/93				TITLE: SCHEMATIC, '93 65K BTU REAR HEATERS #4420
MARK PART NUMBER AND REVISION ON ALL PARTS		REV. BY DATE	DESCRIPTION	ER NUMBER
THIS DRAWING IS THE PROPERTY OF ELDERADO NATIONAL COMPANY, A THOR INDUSTRIES COMPANY AND IS NOT TO BE DUPLICATED OR USED IN ANY WAY DETRIMENTAL TO THEIR BEST INTEREST.		TOLERANCE UNLESS SPECIFIED		MAT'L SPEC. SEE B.O.M.
		FRACTIONS ± 1/16	DECIMALS .00 ± .06	ANGLES ± 1 DEG.
		THIRD ANGLE		DRAWN: R.E.D. CKD: [ ]
		DATE: 02/15/93		SIZE: 9
		SCALE: 1=1		WT: [ ]
				PART NUMBER 0020274

LOCATION:  
UNDERCARRIAGE  
BEHIND DRIVER



ITEM	QTY.	PART NO.	DESCRIPTION
1	15.00	69025	WIRE, GXL 14 AWG ORANGE O 1 @ 180.00"
2	REF	0000617	VALVE, GATE 1/2" FPT BRASS
3			
4	15.00	69850	FLEXLOOM, 1/4 SLIT 1 @ 180.00"
5	2	62042	CONN, FEM PUSHON 10-12 AWG ENC
6	2	62041	CONN, FEM PUSHON 14-16 AWG ENC
7	REF	0001343	SWITCH, DPDT ON/OFF/ON D TOG
8	1	0024614	BOOSTER PUMP ASM, 97 AT/AL
9	REF	128011	PUMP, REAR HEATER BOOSTER
10			

NOTE

- [Y] WHERE Y REFERS TO THE B.O.M. ITEM NUMBER.
- ALL ELECTRICAL CHASSIS GROUND CONNECTIONS WILL USE STAR WASHERS.
- ALL EXTERIOR WIRING CONNECTIONS WILL BE COVERED WITH MASTIC LINED HEAT SHRINK TUBING.
- NS - NOT SHOWN ON THIS DRAWING

NEXT ASSY.: NONE

SUPERCEDES: NONE

DO NOT SCALE DRAWING

MARK PART NUMBER AND REVISION ON ALL PARTS

THIS DRAWING IS THE PROPERTY OF ELDERADO NATIONAL COMPANY, A THOR INDUSTRIES COMPANY AND IS NOT TO BE DUPLICATED OR USED IN ANY WAY DETRIMENTAL TO THEIR BEST INTEREST.

REV.	BY	DATE	DESCRIPTION	ER NUMBER	MAT'L SPEC.
A	DWR	04/13/98	MADE AN ASM FOR THE BOOSTER PUMP	03325	SEE B.O.M.
-	JHW	6/21/97	RELEASE TO PRODUCTION	02672	

FRACIONS ± 1/16	DECIMALS .00 ± .08	ANGLES ± 1 DEG.	DRAWING INFORMATION
			DATE: 6/21/97
			SCALE: FULL

		304 AVENUE B SO. INDUSTRIAL AREA SALINA, KS. 67401
ELDERADO NATIONAL CO. A THOR INDUSTRIES COMPANY		
TITLE: PUMP, REAR HEATER BOOSTER ASM AT/AL		
PART NUMBER: 0024037		PAGE: 1 of 1

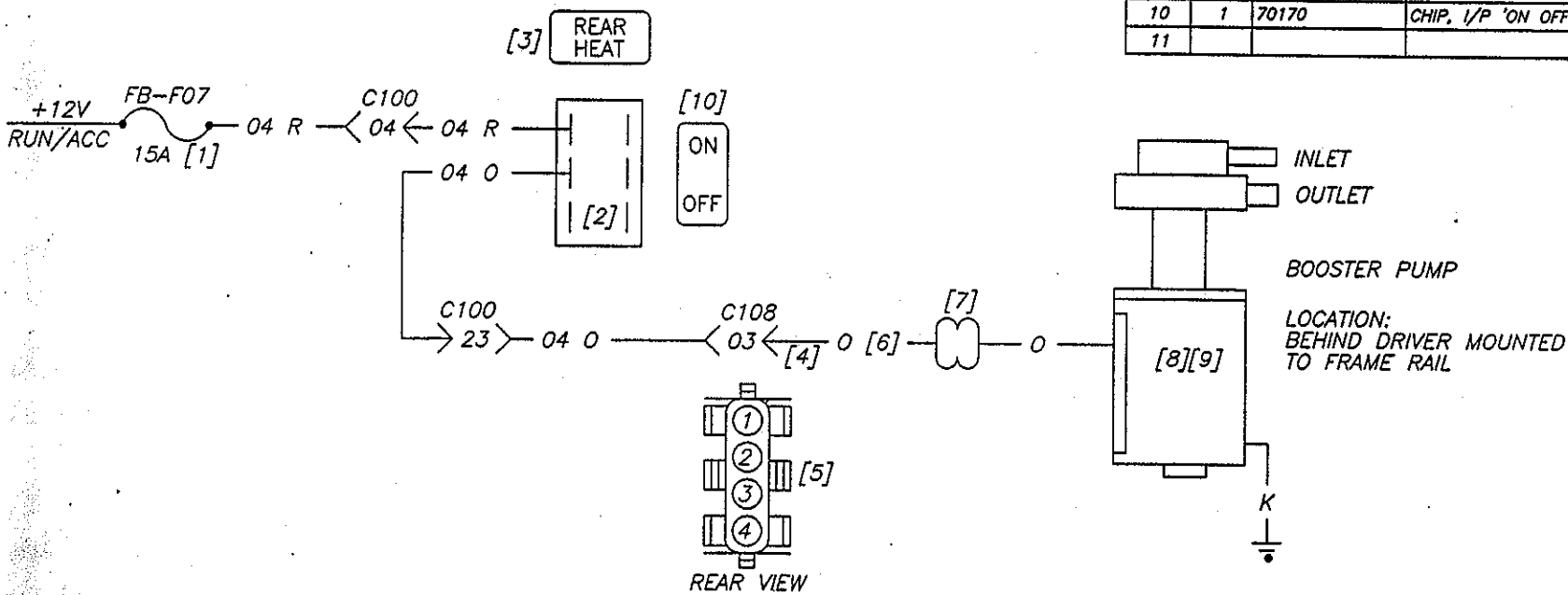
**OPERATION:**

THE FOLLOWING ITEMS MUST BE SATISFIED FOR REAR HEAT:

- A. THE GATE VALVE(S) MUST BE OPENED.
- B. THE REAR HEAT SWITCH MUST BE ON.
- C. THE A/C FAN SWITCH MUST BE ON.
- D. THE ENGINE COOLANT MUST BE WARM.

NS

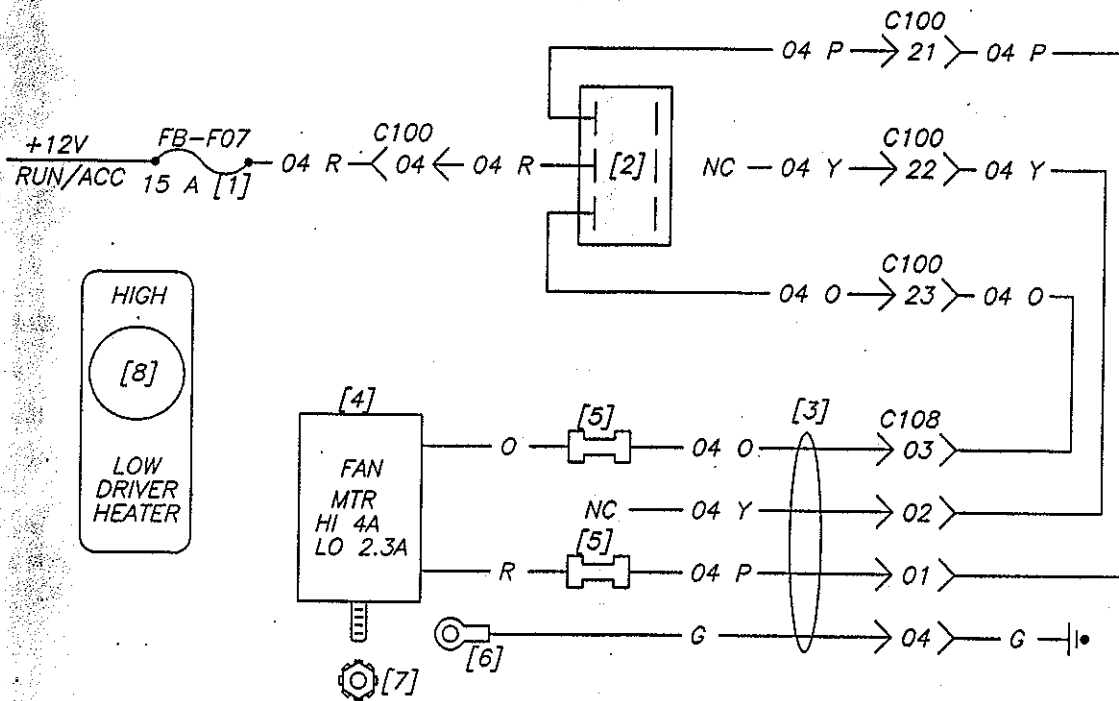
ITEM	QTY.	PART NO.	DESCRIPTION
1	1	63069	FUSE, 15A BLADE
2	1	68118	SWITCH, DPDT ON/ON B TOG
3	1	70130	CHIP, 1/P 'REAR HEAT' ENG
4	1	62764	PIN, 14-18 AWG REEL
5	1	62777	CAP, 4-CKT
6	12.00	69025	WIRE, GXL 14 AWG ORANGE O 1 @ 144.00"
7	12.00	69850	FLEXLOOM, 1/4 SLIT 1 @ 144.00"
8	1	0024614	RECIRCULATING PUMP ASM, 97 AT/AL
9	REF	126011	PUMP, REAR HTR BOOSTER
10	1	70170	CHIP, 1/P 'ON OFF' ENG
11			



**NOTE**

- 1. [Y] WHERE Y REFERS TO THE B.O.M. ITEM NUMBER.
- 2. ALL ELECTRICAL CHASSIS GROUND CONNECTIONS WILL USE STAR WASHERS.
- 3. ALL EXTERIOR WIRING CONNECTIONS WILL BE COVERED WITH MASTIC LINED HEAT SHRINK TUBING.
- 4. NS - NOT SHOWN ON THIS DRAWING

NEXT ASSY.: NONE		SUPERCEDES: NONE		DRAWN: DWR 04/13/98		RELEASE TO PRODUCTION		G3325					
DO NOT SCALE DRAWING				MARK PART NUMBER AND REVISION ON ALL PARTS				REV. BY DATE		DESCRIPTION		ER NUMBER	
THIS DRAWING IS THE PROPERTY OF ELDORADO NATIONAL COMPANY, A THOR INDUSTRIES COMPANY AND IS NOT TO BE DUPLICATED OR USED IN ANY WAY DETRIMENTAL TO THEIR BEST INTEREST.						TOLERANCE UNLESS SPECIFIED		DRAWING INFORMATION					
FRACTIONS ± 1/16						DECIMALS .00 ± .06		ANGLES ± 1 DEG.		DATE: 04/10/98		SCALE: 1=1	
ELDERADO NATIONAL CO. A THOR INDUSTRIES COMPANY						TITLE: BOOSTER PUMP ASM, AT/AL A/C HEAT STRIP W/O FLOOR HEATER		PART NUMBER: 0024613		PAGE: 1 of 1		 304 AVENUE B SO. INDUSTRIAL AREA SALINA, KS. 67401	




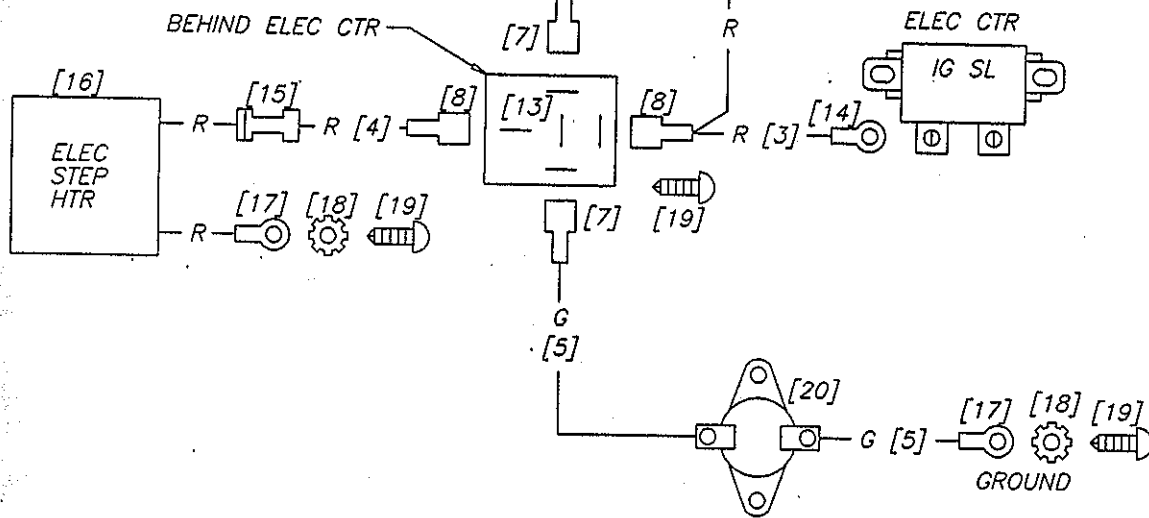
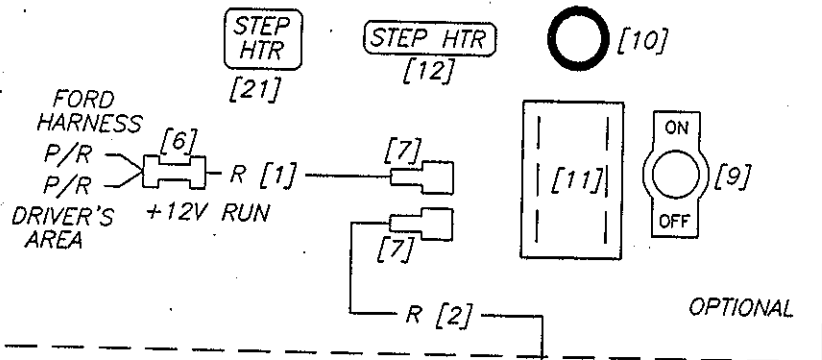
NS

ITEM	QTY.	PART NO.	DESCRIPTION
1	1	63069	FUSE, 15 A BLADE
2	1	0001343	SWITCH, DPDT ON/OFF/ON D-TOG
3	1	0016959	HARNES, HEATER #2 EXTENSION
4	1	0022943	HEATER, 12 KBTU DRIVER
5	2	61800	CONN, BUTT 14-16 AWG INS
6	1	62320	CONN, RING 14-16 X #10 INS
7	1	112927	NUT, KEP #10-32 HEX PLTD
8	1	70874	DECAL, DRIVER HEATER ENGRAVED
9	1	68421	NUT, BLACK KNURLED DRESS FACE
10			

- NOTE
- [Y] WHERE Y REFERS TO THE B.O.M. ITEM NUMBER.
  - ALL ELECTRICAL CHASSIS GROUND CONNECTIONS WILL USE STAR WASHERS.
  - ALL EXTERIOR WIRING CONNECTIONS WILL BE COVERED WITH MASTIC LINED HEAT SHRINK TUBING.
  - NC - NOT CONNECTED
  - NS - NOT SHOWN ON THIS DRAWING.

NEXT ASSY.: NONE  
 SUPERCEDES: NONE  
 DO NOT SCALE DRAWING - DWR 01/18/99  
 MARK PART NUMBER AND REVISION ON ALL PARTS  
 THIS DRAWING IS THE PROPERTY OF ELDORADO NATIONAL COMPANY, A THOR INDUSTRIES COMPANY AND IS NOT TO BE DUPLICATED OR USED IN ANY WAY DETRIMENTAL TO THEIR BEST INTEREST.

REV.	BY	DATE	DESCRIPTION	DR NUMBER
TOLERANCE UNLESS SPECIFIED		DRAWING INFORMATION		
FRACTIONS ± 1/16		DRAWN BY: E.E.C. CKD.		
DECIMALS .00 ± .08		DATE: 07/19/99		
ANGLES ± 1 DEG.		SCALE: 1:1		
 304 AVENUE B SO. INDUSTRIAL AREA SALINA, KS. 67401 ELDORADO NATIONAL CO. A THOR INDUSTRIES COMPANY TITLE: SCHEMATIC, DRIVER'S 12 KBTU HEATER				MAT'L SPEC: SEE B.O.M. PART NUMBER 0022944 PAGE 1 of 1



LOCATION: REAR  
SIDE OF STEPWELL

ITEM	QTY.	PART NO.	DESCRIPTION
1	2.00	69065	WIRE, GXL 14 AWG RED R 1 @ 24.00"
2	8.00	69065	WIRE, GXL 14 AWG RED R 1 @ 96.00"
3	2.00	69265	WIRE, GXL 10 AWG RED R 1 @ 24.00"
4	15.00	69265	WIRE, GXL 10 AWG RED R 1 @ 180.00"
5	2.00	69085	WIRE, GXL 14 AWG GREEN G 2 @ 12.00"
6	1	61800	CONN, BUTT 14-16 AWG INS
7	4	62041	CONN, FEM 14-16 AWG PUSHON ENC
8	2	62042	CONN, FEM 10-12 AWG PUSHON ENC
9	1	68081	COVER, SWITCH ON/OFF
10	1	68421	NUT, BLACK KNURLED DRESS FACE
11	1	68121	SWITCH, DPDT ON/NONE/ON D-TOG
12	1	70867	DECAL, 'STEP HTR' ENGRAVED
13	1	68323	RELAY, 12VDC SPDT WITH MOUNT
14	1	62161	CONN, RING 10-12 AWG X 1/4 INS
15	1	61810	CONN, BUTT 10-12/14-16 AWG INS
16	1	66300	HEATER, ELECTRIC STEP
17	2	62320	CONN, RING 14-16 AWG X #10 INS
18	2	0001305	WASHER, #8 EXT STAR
19	3	116920	SCREW, TEK #8 X 1/2 PH PHIL
20	1	66301	THERMOSTAT, ENTRY DOOR ELEC STEP HTR
21	REF	70174	CHIP, INST PNL "STEP HTR" ENG
22			

NOTE

- [Y] WHERE Y REFERS TO THE B.O.M. ITEM NUMBER.
- ALL ELECTRICAL CHASSIS GROUND CONNECTIONS WILL USE STAR WASHERS.
- ALL EXTERIOR WIRING CONNECTIONS WILL BE COVERED WITH MASTIC LINED HEAT SHRINK TUBING.
- 1st UNIT 60765

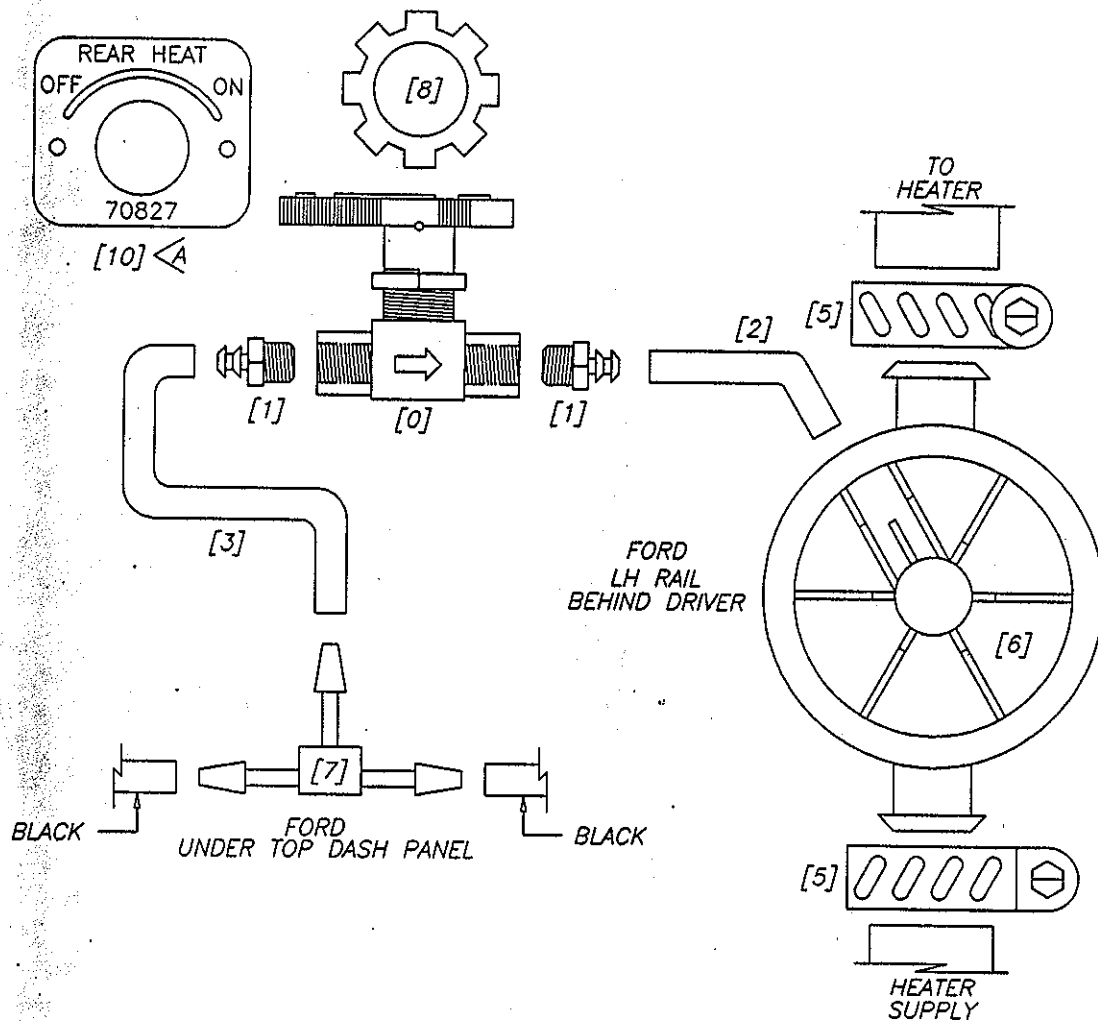
NEXT ASSY.: NONE  
SUPERCEDES: NONE  
DO NOT SCALE DRAWING  
MARK PART NUMBER AND REVISION ON ALL PARTS

THIS DRAWING IS THE PROPERTY OF ELDERADO NATIONAL COMPANY, A THOR INDUSTRIES COMPANY AND IS NOT TO BE DUPLICATED OR USED IN ANY WAY DETRIMENTAL TO THEIR BEST INTEREST.

REV.	BY	DATE	DESCRIPTION	ER NUMBER
C	BJM	10/1/97	ADDED THERMOSTAT TO B.O.M.	02810
B	BAW	07/24/97	CHANGED TITLE	02601
A	DWR	08/29/96	ADDED OPTIONAL THERMOSTAT CORR. TITLE	01855
-	DWR	05/21/96	RELEASE TO PRODUCTION	01695

TOLERANCE UNLESS SPECIFIED	DRAWING INFORMATION	<p>304 AVENUE B 501 INDUSTRIAL AREA SALINA, KS. 67401</p> <p>ELDERADO NATIONAL CO. A THOR INDUSTRIES COMPANY</p> <p>TITLE: SCHEMATIC, ELECTRIC STEP HEATER</p> <p>MATL. SPEC. SEE B.O.M.</p> <p>PART NUMBER 0022825</p>
FRACTIONS ± 1/16 DECIMALS .00 ± .06 ANGLES ± 1 DEG.	DRAWN: P.E.D. CRD. DATE: 05/31/96 SCALE: 1=1 WT.	

PAGE 1 OF 1



ITEM	QTY.	PART NO.	DESCRIPTION
0	1	46701	VALVE, BRASS STRT PNL MNT BALL
1	2	01050150	CONN, BRASS 1/8 MPT X 1/8 HOSE
2	12.00	125432	HOSE, 7/64 VACUUM 1 @ 144.00"
3	1.50	125432	HOSE, 7/64 VACUUM 1 @ 18.00"
4			
5	2	40680	CLAMP, HOSE 3/8 X 7/8 #6
6	1	124868	VALVE, HTR 5/8 X 5/8 HOSE VAC ACT NO
7	1	45440	TEE, BARB 1/16 X 1/16 X 1/16 PLASTIC
8	1	119044	WASHER, 7/16 EXT STAR
9	1	0023825	BRKT, HEATER MODULATING VALVE BACKING
10	1	70827	DECAL, REAR HEAT 'OFF -- ON' ENG
11			

NS

**NOTE**

1. [Y] WHERE Y REFERS TO THE B.O.M. ITEM NUMBER.
2. ALL ELECTRICAL CHASSIS GROUND CONNECTIONS WILL USE STAR WASHERS.
3. ALL EXTERIOR WIRING CONNECTIONS WILL BE COVERED WITH MASTIC LINED HEAT SHRINK TUBING.
4. USE ENC #52613 TO SEAL B.O.M. #1.
5. NS - NOT SHOWN ON THIS DRAWING

NEXT ASSY.: NONE

SUPERCEDES: 0022236 & 0022362

DO NOT SCALE DRAWING

MARK PART NUMBER AND REVISION ON ALL PARTS

THIS DRAWING IS THE PROPERTY OF EL Dorado NATIONAL COMPANY, A THOR INDUSTRIES COMPANY AND IS NOT TO BE DUPLICATED OR USED IN ANY WAY DETRIMENTAL TO THEIR BEST INTEREST.

REV.	BY	DATE	DESCRIPTION	ER NUMBER	MAT'L SPEC.
A	DWR	06/02/97	ADDED BACKING BRKT; ADDED HEATER DECAL	02473	SEE B.O.M.
-	DWR	03/07/97	RELEASE TO PRODUCTION	02093	SEE B.O.M.

EL Dorado NATIONAL CO., A THOR INDUSTRIES COMPANY  
 304 AVENUE B  
 SO. INDUSTRIAL AREA  
 SALINA, KS. 67401

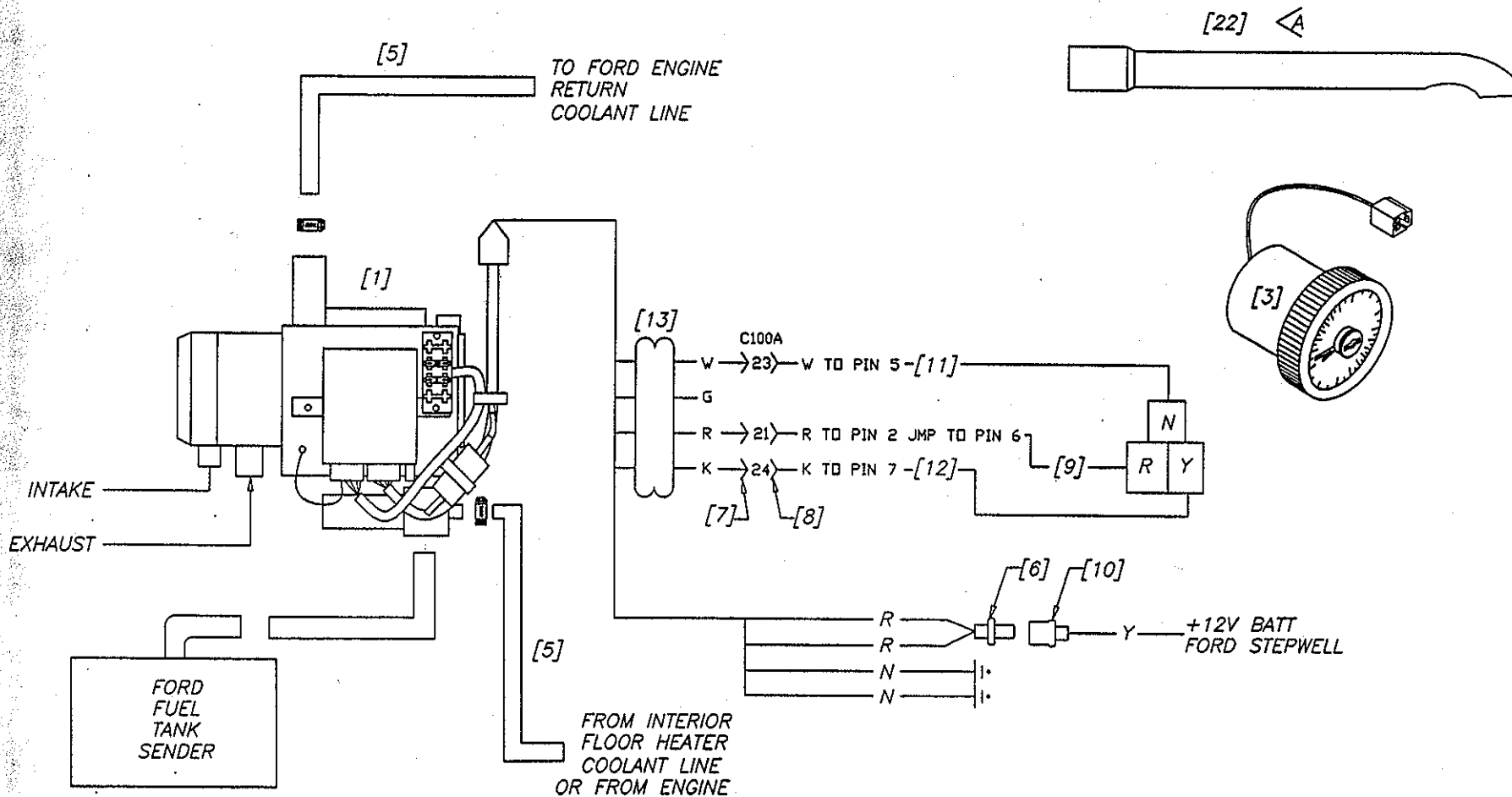
TITLE:  
 DIAGRAM, '97 PAGE HEATER  
 VACUUM

DRAWING INFORMATION  
 DRAWN: FRED  
 DATE: 03/08/97  
 SCALE: 1=1

PART NUMBER  
 0023570

PAGE  
 1 of 1





**NOTE**

1. [Y] WHERE Y REFERS TO THE B.O.M. ITEM NUMBER.
2. ALL ELECTRICAL CHASSIS GROUND CONNECTIONS WILL USE STAR WASHERS.
3. ALL EXTERIOR WIRING CONNECTIONS WILL BE COVERED WITH MASTIC LINED HEAT SHRINK TUBING.
4. NS - NOT SHOWN ON THIS DRAWING

NEXT ASSY.: NONE					
SUPERCEDES: NONE		A	JWH	5/4/98	ADDED EXHAUST PIPE
DO NOT SCALE DRAWING		-	JWH	10/10/97	RELEASE TO PRODUCTION
MARK PART NUMBER AND REVISION ON ALL PARTS		REV.	BY	DATE	DESCRIPTION
THIS DRAWING IS THE PROPERTY OF ELDERADO NATIONAL COMPANY, A THOR INDUSTRIES COMPANY AND IS NOT TO BE DUPLICATED OR USED IN ANY WAY DETRIMENTAL TO THEIR BEST INTEREST.		TOLERANCE UNLESS SPECIFIED		DRAWING INFORMATION	
		FRACTIONS ± 1/16		DRAWN BY: A.R.C. CRD.	
		DECIMALS .00 ± .00		DATE: 10/10/97	
		ANGLES ± 1 DEG.		SCALE: FULL	
				MATERIAL SPEC. SEE B.O.M.	
				PART NUMBER 0024125	
				PAGE 1 of 2	

**ENC**

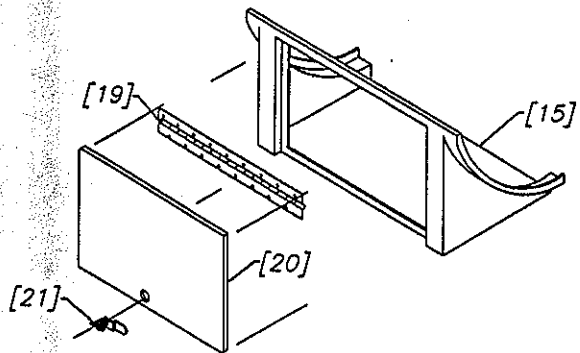
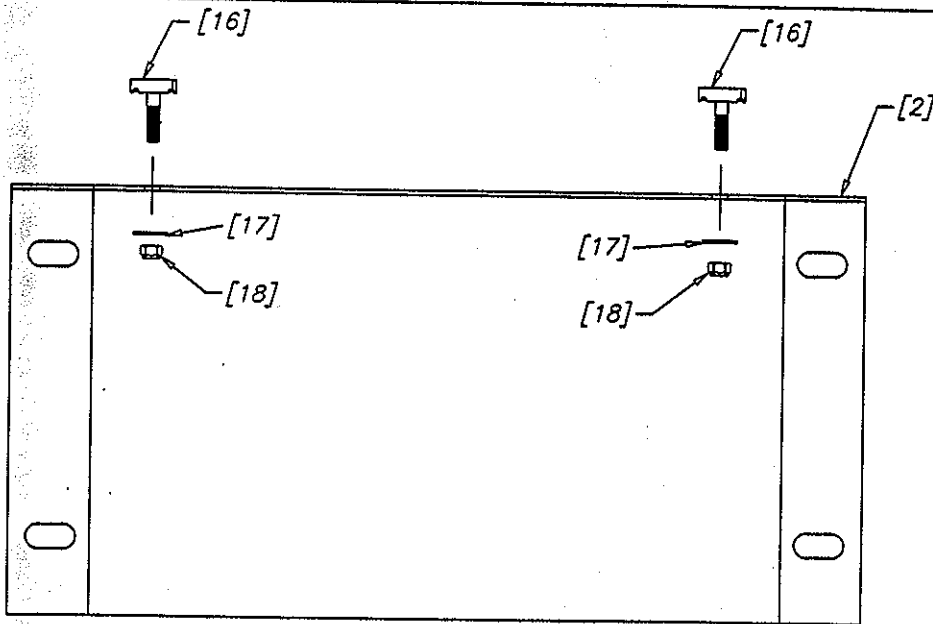
304 AVENUE B  
50. INDUSTRIAL AREA  
SALINA, KS. 67401

ELDERADO NATIONAL CO. & THOR INDUSTRIES COMPANY

TITLE:  
HEATER ASM, WEBASTO COOLANT THERMO-90

ER NUMBER 02719

0024125



**NOTE**

1. [Y] WHERE Y REFERS TO THE B.O.M. ITEM NUMBER.
2. ALL ELECTRICAL CHASSIS GROUND CONNECTIONS WILL USE STAR WASHERS.
3. ALL EXTERIOR WIRING CONNECTIONS WILL BE COVERED WITH MASTIC LINED HEAT SHRINK TUBING.
4. NS - NOT SHOWN ON THIS DRAWING
5. USE 0024648-1 EXHAUST PIPE ON A BOBTAIL UNIT.

ITEM	QTY.	PART NO.	DESCRIPTION
1	1	0024126	HEATER KIT, WEBASTO COOLANT THERMO-90
2	1	0024127	HEATER BOX, WEBASTO COOLANT THERMO-90
3	1	62893	HEATER THERMOSTAT, 3-DAY QUARTZ
4	1	0024177	HEATER UNISTRUT LOCATION, WEBASTO
5	40.00	0020824	HOSE, HEATER 5/8" 2@240.00"
6	1	62041	CONN, FEMALE PUSHON 14-16 AWG ENC REEL
7	3	69865	PINS, 14-18 AWG TIN PLTD
8	3	69866	SOCKETS, 14-18 AWG TIN PLTD
9	1.00	69065	WIRE, RED GXL 14 AWG R 1@12.00"
10	1	62043	TERM, MALE PUSHON 14-16 AWG ENC REEL
11	1.00	69045	WIRE, WHITE GXL 14 AWG W 1@12.00"
12	1.00	69050	WIRE, BLACK GXL 14 AWG K 1@12.00"
13	20.00	69852	FLEXLOOM, 3/4" SLIT 1@240.00"
14	6	40762	CLAMPS, LOOM 1"
15	1	0020603	BOX FLANGE, 94 EXT. 8D BATTERY
16	4	0014606	STUD, 3/8-16 X 1.25 W/O SPRING
17	4	0000318	WASHER, FLAT 3/8 PLTD
18	4	0001001	NUT, LOCK HEX 3/8-16
19	1	33922	HINGE, PIANO SS 1.5" 72" LONG
20	1	0020604	BOX DOOR, 94 EXT 8D TRAY
21	1	83660	LATCH, CAM WING H-9466
22	1	0024648	EXHAUST PIPE, WEBASTO COOLANT HEATER

**INSTRUCTIONS:**

1. WELD UNISTRUT UNDER DRIVER REAR OF UNIT.
2. INSTALL HEATER BOX.
3. INSTALL FIBERGLASS EXTERIOR SHROUD.
3. INSERT HEATER INTO HEATER BOX.
5. CONNECT HARNESS.
6. CONNECT COOLANT LINES.
7. CONNECT FUEL LINE.
8. INSTALL TIMER.
9. BLEED COOLANT LINES WHEN RUNNING THE HEATING UNIT FOR THE FIRST TIME.
10. IF THERE IS AIR IN THE COOLANT LINES THE HEATER WILL OVERHEAT.

NEXT ASSY.: NONE

SUPERCEDES: NONE

DO NOT SCALE DRAWING

MARK PART NUMBER AND REVISION ON ALL PARTS

THIS DRAWING IS THE PROPERTY OF ELDERADO NATIONAL COMPANY, A THOR INDUSTRIES COMPANY AND IS NOT TO BE DUPLICATED OR USED IN ANY WAY DETRIMENTAL TO THEIR BEST INTEREST.

REV.	BY	DATE	DESCRIPTION	EX NUMBER
A	JWW	5/4/98	ADDED EXHAUST PIPE	03375
-	JWW	10/10/97	RELEASE TO PRODUCTION	02719

ELDERADO NATIONAL CO. A THOR INDUSTRIES COMPANY

TITLE: HEATER ASM, WEBASTO COOLANT THERMO-90

MATL SPEC: SEE B.O.M.

PART NUMBER: 0024125

304 AVENUE B  
50 INDUSTRIAL AREA  
SALINA, KS. 67401

PAGE 2 of 2