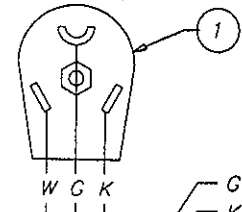


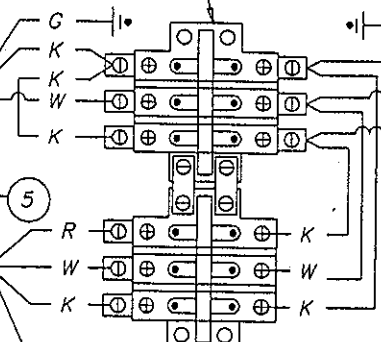
SECTION 11 - GENERATOR SETS & LAND LINES

0023573	DIST., 4KW GENSET 125VAC LANDLINE
0023874	DIST., 6.5KW GENSET 240VAC W/ LANDLINE
0024649	COURTESY LIGHTS, VEHICLE OR CONVERTER

125VAC 30A
LANDLINE



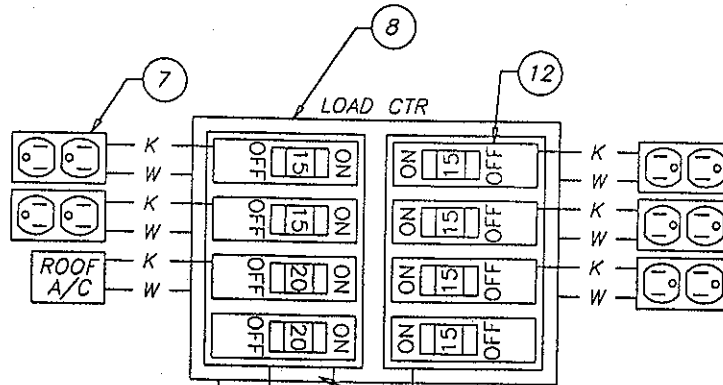
TRANSFER SWITCH



125 VAC
4.0 KW
GENSET

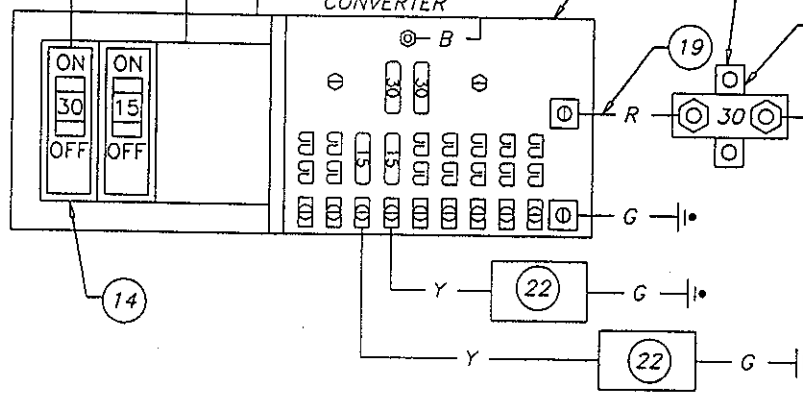
OR

125 VAC
6.5 KW
GENSET



CAUTION:
DO NOT MOUNT TO
A METAL SURFACE

CONVERTER



+12V
BTY

NEXT ASSY.: NONE
SUPERCEDES: NONE
DO NOT SCALE DRAWING
MARK PART NUMBER AND REVISION ON ALL PARTS

THIS DRAWING IS THE PROPERTY OF ELDERADO NATIONAL COMPANY, A THOR INDUSTRIES COMPANY AND IS NOT TO BE DUPLICATED OR USED IN ANY WAY DETRIMENTAL TO THEIR BEST INTEREST.

REV.	BY	DATE	DESCRIPTION	ER NUMBER
D	BJM	5/12/98	DELETED ITEM #19-69765, ITEM #21-62203, CHG. ITEM #8	03382
C	BJM	4/21/98		03358
B	BJM	12/4/97	ADDED ITEM #23	03011
A	BJM	11/4/97	CHG. CONVERTER, ADD FLUORESCENT LTS	02937
-	JHW	3/12/97	RELEASE TO PRODUCTION	02278

TOLERANCE UNLESS SPECIFIED		DRAWING INFORMATION	
FRACTIONS	± 1/16	DRAWN BY	VA/R
DECIMALS	.00 ± .06	DATE	3/10/97
ANGLES	± 1 DEG.	SCALE	1:1

304 AVENUE B
SQ. INDUSTRIAL AREA
SALINA, KS. 67401

ELDERADO NATIONAL CO. A THOR INDUSTRIES COMPANY

TITLE:
DIST 4KW GENSET 125V AC
LANDLINE

WAT'L SPEC.
SEE B.O.M.

PART NUMBER
0023573

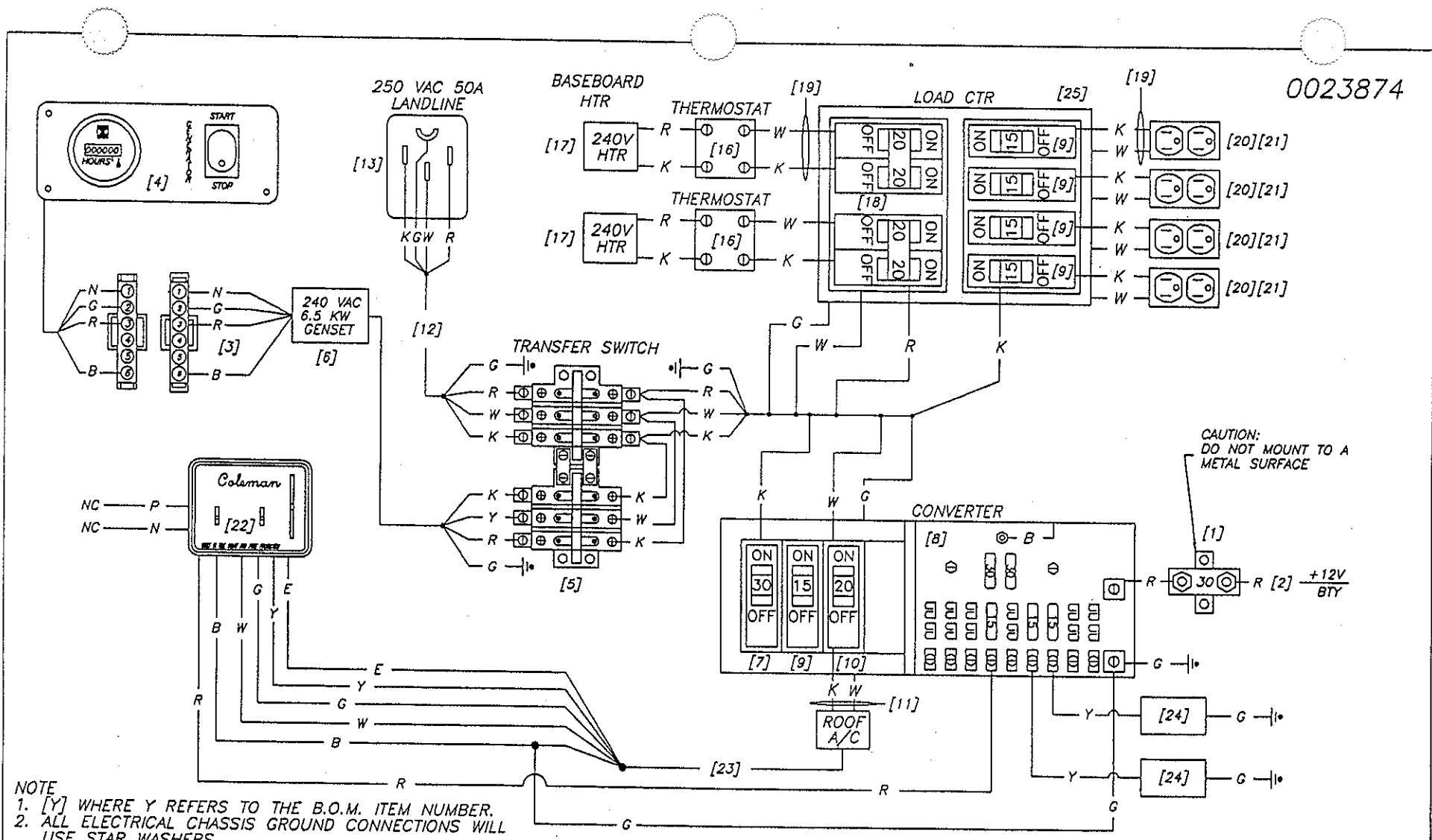
PAGE
1 of 2

ITEM	QTY.	PART NO.	DESCRIPTION
1	1	62907	125V AC 30A LANDLINE
2	50.00	69769	8-3 WIRE Ø600"
3	1	67760	TRANSFER SWITCH
4	1	63602	125V AC 4.0KW GENSET
5	4.00	69770	8-4 WIRE 2 Ø48"
6	1	62202	CONN, RING 4 AWG x 5/16 INS
7	5	66678	DUPLEX INTERIOR 125V AC RECEPTACLE
8	1	60520	CENTER, INDOOR 8-POLE RECESSED LOAD
9	1	81350	LANDLINE EXTERIOR DOOR
10	2	60919	GROUNDING BUS BAR
11	1	62908	LANDLINE PLUG ADAPTER
12	6	60914	15A SP ST BREAKER
13	1	60913	20A SP ST BREAKER
14	1	60915	30A SP ST BREAKER
15	1	63004	CONVERTER, 45A
16	1	60920	30A SELF RESETTING BREAKERS
17	5	60787	BOX, DUPLEX INTERIOR RECEPT
18	5	60562	PLATE, DUPLEX RECEPT COVER
19			
20	20.00	69765	WIRE, RED 4 AWG SGX 1 Ø 240.00"
21			
22	REF	0019455	LIGHT, FLUORESCENT 18"
23	REF	63600	GENERATOR, 6.5 KW GAS RV

<C
 NS
 NS
 NS
 <A
 NS
 NS
 <D
 <D
 <D
 <A
 <B


NS=NOT SHOWN

<p>NEXT ASSY.: NONE</p> <p>SUPERCEDES: NONE</p> <p>DO NOT SCALE DRAWING</p> <p>MARK PART NUMBER AND REVISION ON ALL PARTS</p> <p>THIS DRAWING IS THE PROPERTY OF EL Dorado NATIONAL COMPANY, A THOR INDUSTRIES COMPANY AND IS NOT TO BE DUPLICATED OR USED IN ANY WAY DETRIMENTAL TO THEIR BEST INTEREST.</p>	<table border="1" style="width:100%; border-collapse: collapse;"> <tr> <td style="width:10%;"></td> <td style="width:10%;"></td> <td style="width:10%;"></td> <td style="width:10%;"></td> <td style="width:10%;"></td> <td style="width:10%;"></td> <td style="width:10%;"></td> <td style="width:10%;"></td> </tr> <tr> <td>D</td> <td>BJM</td> <td>9/12/96</td> <td>DELETED ITEM #18-69765,</td> <td></td> <td></td> <td>03392</td> <td></td> </tr> <tr> <td>C</td> <td>BJM</td> <td>4/27/96</td> <td>ITEM #21-62202</td> <td>CHG. ITEM #8</td> <td></td> <td>03358</td> <td></td> </tr> <tr> <td>B</td> <td>BJM</td> <td>12/1/95</td> <td>ADDED ITEM #23</td> <td></td> <td></td> <td>03011</td> <td></td> </tr> <tr> <td>A</td> <td>BJM</td> <td>11/4/95</td> <td>CHG CONVERTER, ADD</td> <td>FLUORESCENT LBS</td> <td></td> <td>02837</td> <td></td> </tr> <tr> <td>-</td> <td>JHW</td> <td>3/12/97</td> <td>RELEASE TO PRODUCTION</td> <td></td> <td></td> <td>02278</td> <td></td> </tr> </table>									D	BJM	9/12/96	DELETED ITEM #18-69765,			03392		C	BJM	4/27/96	ITEM #21-62202	CHG. ITEM #8		03358		B	BJM	12/1/95	ADDED ITEM #23			03011		A	BJM	11/4/95	CHG CONVERTER, ADD	FLUORESCENT LBS		02837		-	JHW	3/12/97	RELEASE TO PRODUCTION			02278		<div style="text-align: right;"> <p>304 AVENUE B SO. INDUSTRIAL AREA SALINA, KS. 67401</p> <p>EL Dorado NATIONAL CO. A THOR INDUSTRIES COMPANY</p> </div> <p>TITLE: DIST 4KW GENSET 125V AC LANDLINE</p> <p>MAT'L SPEC. SEE B.O.M.</p> <p>PART NUMBER 0023573</p>
D	BJM	9/12/96	DELETED ITEM #18-69765,			03392																																												
C	BJM	4/27/96	ITEM #21-62202	CHG. ITEM #8		03358																																												
B	BJM	12/1/95	ADDED ITEM #23			03011																																												
A	BJM	11/4/95	CHG CONVERTER, ADD	FLUORESCENT LBS		02837																																												
-	JHW	3/12/97	RELEASE TO PRODUCTION			02278																																												
<p>TOLERANCE UNLESS SPECIFIED</p> <p>FRACTIONS ± 1/16 DECIMALS .00 ± .06 ANGLES ± 1 DEG.</p>		<p>DRAWING INFORMATION</p> <p>DRAWN BY: [] CRD: [] DATE: 3/19/97 SIZE: [] SCALE: 1/1 WT: []</p>		<p>PAGE 2 of 2</p>																																														



- NOTE
- [Y] WHERE Y REFERS TO THE B.O.M. ITEM NUMBER.
 - ALL ELECTRICAL CHASSIS GROUND CONNECTIONS WILL USE STAR WASHERS.
 - ALL EXTERIOR WIRING CONNECTIONS WILL BE COVERED WITH MASTIC LINED HEAT SHRINK TUBING.
 - NC - NO CONNECTION

CAUTION:
DO NOT MOUNT TO A METAL SURFACE


NEXT ASSY.: NONE	B	BJM	5/12/98	CB MNTD TO WOOD, ADDED NOTE	03392	 <p>304 AVENUE B SO. INDUSTRIAL AREA SALINA, KS. 67401</p> <p>ELDORADO NATIONAL CO. A THOR INDUSTRIES COMPANY</p>
SUPERCEDES: NONE	A	BJM	11/6/97	CHG. CONVERTER, ADD FLUORESCENT LTS.	02937	
DO NOT SCALE DRAWING	-	BJM	6/26/97	RELEASE TO PRODUCTION	02528	
MARK PART NUMBER AND REVISION ON ALL PARTS	REV.	BY	DATE	DESCRIPTION	ER NUMBER	
THIS DRAWING IS THE PROPERTY OF ELDORADO NATIONAL COMPANY, A THOR INDUSTRIES COMPANY AND IS NOT TO BE DUPLICATED OR USED IN ANY WAY DETRIMENTAL TO THEIR BEST INTEREST.	TOLERANCE UNLESS SPECIFIED			DRAWING INFORMATION		MAT'L SPEC. SEE B.O.M. PART NUMBER 0023874 PAGE 1 of 2
	FRACTIONS ± 1/16			DRAWN: MCQUILLAN	CKD.:	
	DECIMALS .00 ± .06			DATE: 6/26/97	SIZE: A	
ANGLES ± 1 DEG.			SCALE: 1/2	WT.:		

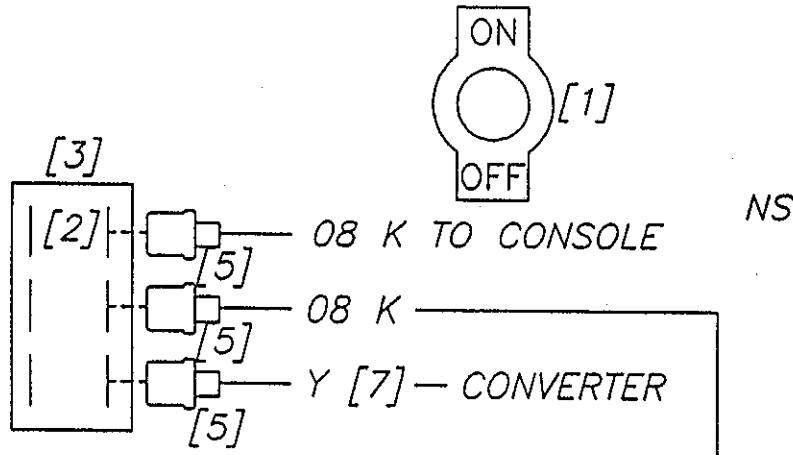
0023874

ITEM	QTY.	PART NO.	DESCRIPTION
1	1	60920	CIRCUIT BREAKER, 30 AMP METAL
2	20.00	69765	WIRE, SGX 4 AWG RED R 1 @ 240.00"
3	REF	63510	HARNESS, 25' RMT START (ONAN)
4	REF	63440	SWITCH, REMOTE GEN. W/HR METER
5	REF	67760	SWITCH, AUTOXFER 240VAC/50A PO
6	REF	63601	GENERATOR, 6.5KW GAS COMMERC.
7	REF	60915	BRKR, 1-POLE 125VAC/30A
8	REF	63004	CONVERTER, 45A
9	REF	60914	BREAKER, 1 POLE 15A 125VAC
10	REF	60913	BREAKER, SINGLE POLE 20A CIRC.
11	REF	69320	WIRE 12-2 ROMEX
12	REF	69770	WIRE, 8-4 50 PORTABLE CORD
13	REF	62905	PLUG, 50A/250 VAC LANDLINE
14	REF	62906	PLUG, 50A/250V-15A/125V ADAPT
15	REF	81350	DOOR, POWERCORD
16	REF	62891	THERMOSTAT, 240VAC BASEBD HTR
17	REF	62890	HTR., 240VAC BASEBOARD
18	REF	61171	BREAKER, 2-POLE 240VAC, 20A
19	REF	69760	WIRE 14-2 ROMEX
20	REF	66678	RECEPT., CIRCULAR WHITE DUPLEX
21	REF	60562	PLATE, WHITE DUPLEX RECEPTACLE
22	REF	0023016	THERMOSTAT, COLEMAN
23	1	0023873	HARNESS, ROOF A/C
24	REF	0019455	LIGHT, FLUORESCENT 18"
25	REF	60520	BOX, CENTER 8-POLE RECESSED LD
26	-	-	-

N.S.
N.S.

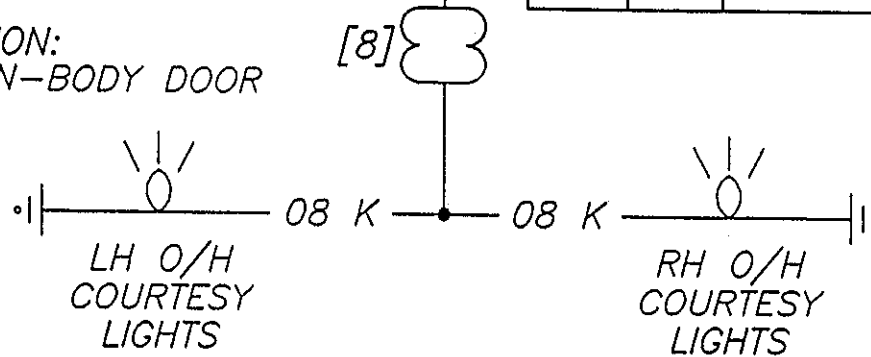
NOTE:
1) N.S. - NOT SHOWN

NEXT ASSY.: NONE				B	BJM	5/12/98	CB MNTD TO WOOD, ADDED NOTE	03392	 <p>304 AVENUE B SO. INDUSTRIAL AREA SALINA, KS. 67401</p> <p>ELDORADO NATIONAL CO. A THOR INDUSTRIES COMPANY</p>			
SUPERCEDES: NONE				A	BJM	11/6/97	CHG. CONVERTER, ADD FLUORESCENT LTS.	02937				
DO NOT SCALE DRAWING				-	BJM	6/26/97	RELEASE TO PRODUCTION	02528				
MARK PART NUMBER AND REVISION ON ALL PARTS				REV.	BY	DATE	DESCRIPTION	ER NUMBER	TITLE: DIST., 6.5KW GENSET 240VAC W/LANDLINE MAT'L SPEC. SEE B.O.M.			
THIS DRAWING IS THE PROPERTY OF ELDORADO NATIONAL COMPANY, A THOR INDUSTRIES COMPANY AND IS NOT TO BE DUPLICATED OR USED IN ANY WAY DETRIMENTAL TO THEIR BEST INTEREST.				TOLERANCE UNLESS SPECIFIED				DRAWING INFORMATION				
				FRACTIONS ± 1/16				DRAWN: McQUILLAN		CKD.:		PART NUMBER
				DECIMALS .00 ± .06				DATE: 6/26/97		SIZE: A		0023874
				ANGLES ± 1 DEG.				SCALE: 1/2		WT.:		
										PAGE 2 of 2		




ITEM	QTY.	PART NO.	DESCRIPTION
1	1	68081	COVER, ON/OFF SWITCH
2	1	68118	SWITCH, DPDT HD TOGGLE
3	1	68421	NUT, KNURLED BLACK SWITCH
4			
5	3	62041	CONN., FEMALE PUSH ON 14-16 AWG ENC REEL
6			
7	20.00	69015	WIRE, GXL 14 AWG YELLOW Y 1 @ 240.00"
8	20.00	69850	FLEXLOOM, 1/4 SLIT 1 @ 240.00"
9			

LOCATION:
O/H IN-BODY DOOR



- NOTE
- [Y] WHERE Y REFERS TO THE B.O.M. ITEM NUMBER.
 - ALL ELECTRICAL CHASSIS GROUND CONNECTIONS WILL USE STAR WASHERS.
 - ALL EXTERIOR WIRING CONNECTIONS WILL BE COVERED WITH MASTIC LINED HEAT SHRINK TUBING.
 - NS - NOT SHOWN ON THIS DRAWING

NEXT ASSY.: NONE						 <p>304 AVENUE B SO. INDUSTRIAL AREA SALINA, KS. 67401</p>			
SUPERCEDES: NONE									
DO NOT SCALE DRAWING				A	DWR 05/08/98	SIMPLIFIED CRT	03386	ELDERADO NATIONAL CO. A THOR INDUSTRIES COMPANY TITLE: COURTESY LIGHTS, VEHICLE OR CONVERTER MAT'L SPEC.	
MARK PART NUMBER AND REVISION ON ALL PARTS				-	JWW 5/4/98	RELEASE TO PRODUCTION	03376		
THIS DRAWING IS THE PROPERTY OF ELDERADO NATIONAL COMPANY, A THOR INDUSTRIES COMPANY AND IS NOT TO BE DUPLICATED OR USED IN ANY WAY DETRIMENTAL TO THEIR BEST INTEREST.				REV.	BY	DATE	DESCRIPTION	ER NUMBER	
				TOLERANCE UNLESS SPECIFIED				DRAWING INFORMATION	
				FRACTIONS ± 1/16		DRAWN: WARD		CKD.:	
				DECIMALS .00 ± .08		DATE: 5/4/98		SIZE: A	
				ANGLES ± 1 DEG.		SCALE: 1=1		WT.:	
				PART NUMBER				PAGE	
				0024649				1 of 1	