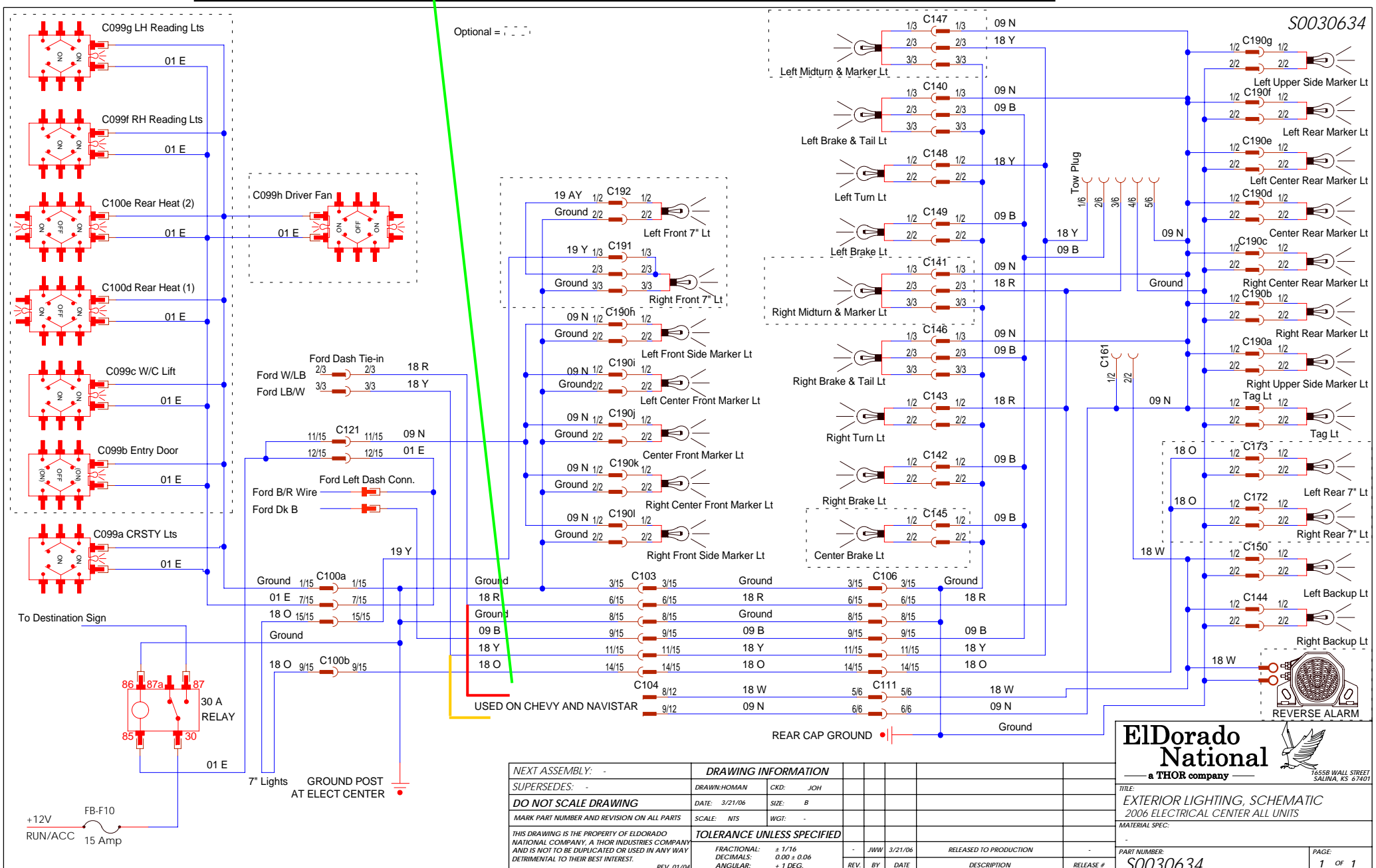


If there is no flashing voltage on the wires at C103 pin 6 and or 11, check behind the sail panel behind the driver's seat. You should be able to see where the wire harness goes in to the floor from under the bus and up to inside that panel. Normally the bad connection is in that sail panel. The connection is somewhere between the floor and the C103 connector.



NEXT ASSEMBLY: -	DRAWING INFORMATION					
SUPERSEDES: -	DRAWN: HOMAN	CKD: JOH				
DO NOT SCALE DRAWING	DATE: 3/21/06	SIZE: B				
MARK PART NUMBER AND REVISION ON ALL PARTS	SCALE: NTS	WGT: -				
THIS DRAWING IS THE PROPERTY OF EL Dorado NATIONAL COMPANY, A THOR INDUSTRIES COMPANY AND IS NOT TO BE DUPLICATED OR USED IN ANY WAY DETRIMENTAL TO THEIR BEST INTEREST. REV. 01/04	TOLERANCE UNLESS SPECIFIED					
	FRACTIONAL: ± 1/16	DECIMALS: 0.02 ± 0.06				
	ANGULAR: + 1 DEG.					
	REV. BY	DATE	DESCRIPTION	RELEASE #		

**EL Dorado National**  
a THOR company

1558 WALL STREET  
SALINA, KS 67401

TITLE:  
**EXTERIOR LIGHTING, SCHEMATIC**  
2006 ELECTRICAL CENTER ALL UNITS

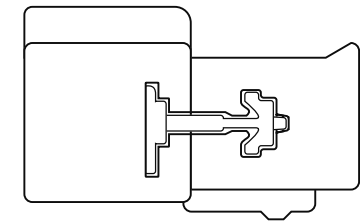
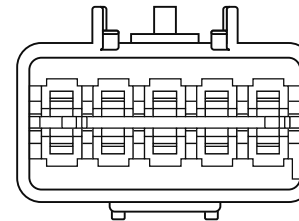
MATERIAL SPEC:

PART NUMBER: **S0030634**

PAGE: **1 OF 1**

## 10-Way Bus Connector (top) / 2-Way Bus Connector (bottom) – Family 2

		TRUCK SIDE	BODY BUILDER SIDE
Connector		Packard GT 280 Series	
Typical connector		15326935 (M)	15326931 (F)
Typical terminal		15304722	15304710
Pin	Wire		Function
	Ckt #	Color	
A	24	GRN LT	Back Up
B	2609	BRN/WHT	Right Park
C	318	YEL	Left Turn
D	2509	BRN	Left Park
E	1320	BLU LT	Stop
F	—	—	Spare
G	—	—	Spare
H	350	BLK	Gnd Zone 3B
J	—	—	Spare
K	319	GRN DK	Right Turn



### Turn signals not working?

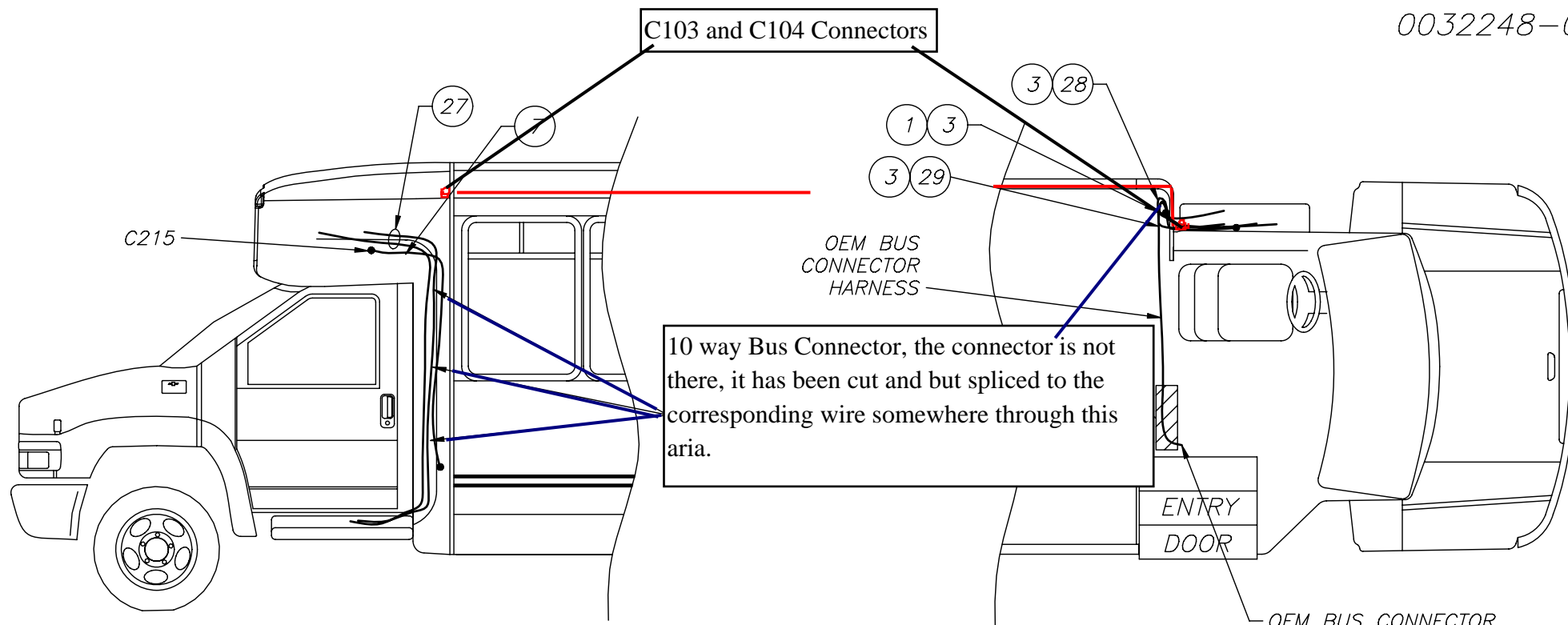
Check pin 6 and pin 11 at the C103 connector behind the EP3 electrical center to see if he has pulsating voltage as the front turn signals are flashing. The Right side lights are pin 6 and the wire is marked 18 and it is a red wire.

The Left side lights are pin 11 and the wire is marked 18 and it is a yellow wire.

If there is flashing voltage there then check out the C106 connector at the rear cap, the pin numbers are the same. Next the wires are in the rear cap and go to the lights.

If there is no flashing voltage on the wires at C103 pin 6 and or 11, check behind the sail panel behind the driver's seat. He should be able to see where the wire harness goes in to the floor from under the bus and up to inside that panel. Normally the bad connection is in that sail panel. The connection is somewhere between the floor and the C103 connector.

		TRUCK SIDE	BODY BUILDER SIDE
Connector		Packard MP 280 Series	
Typical connector		15300027 (F)	15300002
Typical terminal		12129493	12129497
Typical cable seal		15324980	15324980
Pin	Wire		Function
	Ckt #	Color	
A	24	GRN LT	Back Up
B	350	BLK	Gnd Zone B



OEM BUS CONNECTOR HARNESS COMES COILED INSIDE FRAME RAIL INFRONT OF CROSSMEMBER

10 way Bus Connector, the connector is not there, it has been cut and but spliced to the corresponding wire somewhere through this aria.

NOTES:

- 1) DRILL 2.25" HOLE IN CORNER OF FLOOR BEHIND DRIVER'S WING PAD.
- 2) LOCATE CHEVY BUS CONNECTOR AS SHOWN ON PRINT. CUT TIE WRAP AND FEED HARNESS THROUGH REFLECTIVE SLEEVING (BOM 20). USE TIE WRAPS TO HOLD SLEEVING IN PLACE ABOVE EXHAUST. ROUTE HARNESS ACROSS BUS WITH PARK BRAKE CABLE, SECURING HARNESS TO IT EVERY 15".
- 3) FEED CHEVY BUS CONNECTOR UP THROUGH HOLE INTO BUS AND CONNECT TO CHASSIS TIE-IN HARNESS (BOM 7).
- 4) CONNECT POWER AND GROUND CABLES TO APPROPRIATE POSTS ON ELECTRICAL PANEL, AND CHASSIS TIE-IN HARNESS TO C215 IN FRONT CAP HARNESS.
- 5) SECURE POWER CABLES AND CHASSIS HARN TO FRONT CAP WHERE SHOWN USING BOM 1 & 3.
- 6) ROUTE POWER AND GROUND CABLES THROUGH FLOOR, SECURE UNDER CHASSIS AS SHOWN, AND CONNECT TO APPROPRIATE BATTERY TERMINALS IN DRIVER'S STEP.
- 7) USE ENC E50326 BATTERY TERMINAL PROTECTANT SPRAY ON ALL BATTERY TERMINALS.
- 8) SEAL HOLE WITH E50318 EXPANDING FOAM.
- 9) REMOVE CHMSL ISO RELAY TO SEPARATE BRAKE/TURN SIGNALS. SEE ATTACHED LITERATURE.

**ElDorado National**   
 — a THOR company — 1655 WALL STREET SALINA, KS. 67401

NEXT ASSEMBLY: NONE	DRAWING INFORMATION							
SUPERCEDES: NONE	DRAWN: HOMAN	CKD:						
DO NOT SCALE DRAWING	DATE: 11/29/07	SIZE: A						
MARK PART NUMBER AND REVISION ON ALL PARTS	SCALE: NTS	WGT:						
THIS DRAWING IS THE PROPERTY OF EL Dorado NATIONAL COMPANY, A THOR INDUSTRIES COMPANY AND IS NOT TO BE DUPLICATED OR USED IN ANY WAY DETRIMENTAL TO THEIR BEST INTEREST.	TOLERANCE UNLESS SPECIFIED							
	FRACTIONS ± 1/16		-	PEH	11/29/07	RELEASE TO PRODUCTION	12465	
	DECIMALS .00 ± .06		REV.	BY	DATE	DESCRIPTION	RELEASE #	
	ANGLES + 1 DEG.							

TITLE: ELECTRICAL ASM, AEC-TEC EP3 BILL OF MATERIALS	PAGE 7 of 7
MATERIAL SPEC: REFER TO B.O.M.	
PART NUMBER 0032248-06	