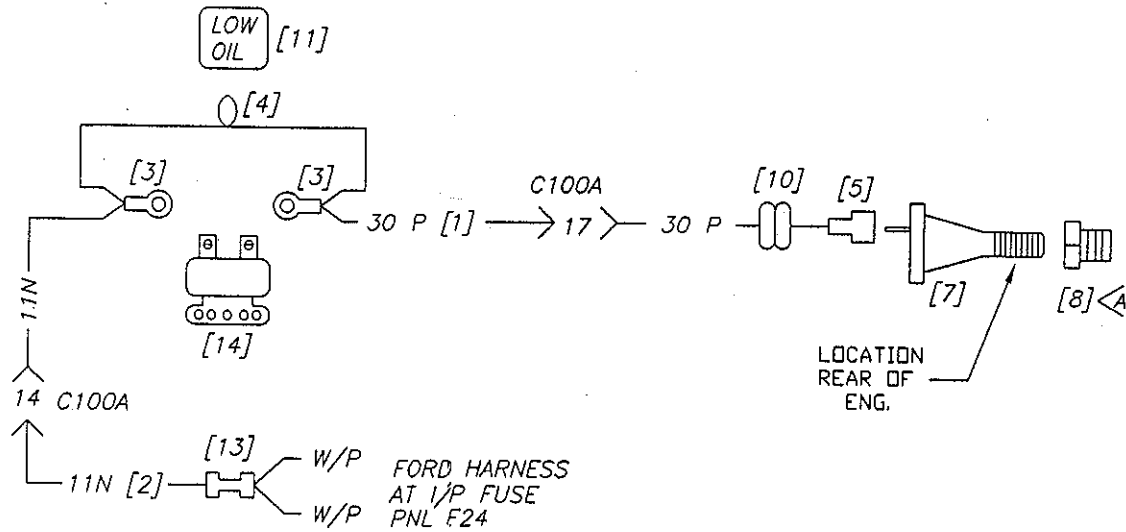


## SECTION 12 - ENGINE CONTROL

0023190 SCHEMATIC, '97 AL/AT LOW OIL BUZZER & LIGHT  
0022510 SCHEMATIC, '96 DSL LOW OIL PRESSURE BUZZER & LIGHT  
0023217 SCHEMATIC, '97 AT/AL 6.8L HI-TEMP BUZZER & LIGHT  
0023872 HI-TEMP SCHEMATIC, '97 AT/AL 7.3L DSL BUZZER & LIGHT  
0023219 SCHEMATIC, '97 6.8L MOTORGUARD  
0023475 SCHEMATIC, '97 DSL MOTORGUARD  
WITH LOW OIL & HI-TEMP LTS  
0022515 SCHEMATIC, '96 DSL MOTORGUARD  
0023051 SCHEMATIC, '96 DSL ENGINE SHUTDOWN (MURPHY)  
0021196 SCHEMATIC, '94 DSL MOTORGUARD  
0022516 SCHEMATIC, '96 DSL MOTORGUARD  
WITH TRANSMISSION TEMP  
0021967 SCHEMATIC, '95 DSL MOTORGUARD  
WITH TRANSMISSION TEMP  
0023534 SCHEMATIC, PX 6.8L FAST IDLE #4512000V  
0022511 SCHEMATIC, '96 DSL OIL PRESSURE METER  
0017306 SCHEMATIC, FAH TRANS TEMP CKT  
0022252 SCHEMATIC, TRANS HI-TEMP WARNING LIGHT  
0022512 SCHEMATIC, '96 DSL HOUR METER  
0023218 SCHEMATIC, '97 AT/AL 6.8L HOURMETER  
0017342 SCHEMATIC, FAH HOURMETER  
0024616 LOCATION & INSTALL, '97 FORD DSL FAST IDLE MODULE  
0020351 SCHEMATIC, BACKLIGHT HOURMETER  
0022531 SCHEMATIC, DSL ENGINE TEMPERATURE GAUGE




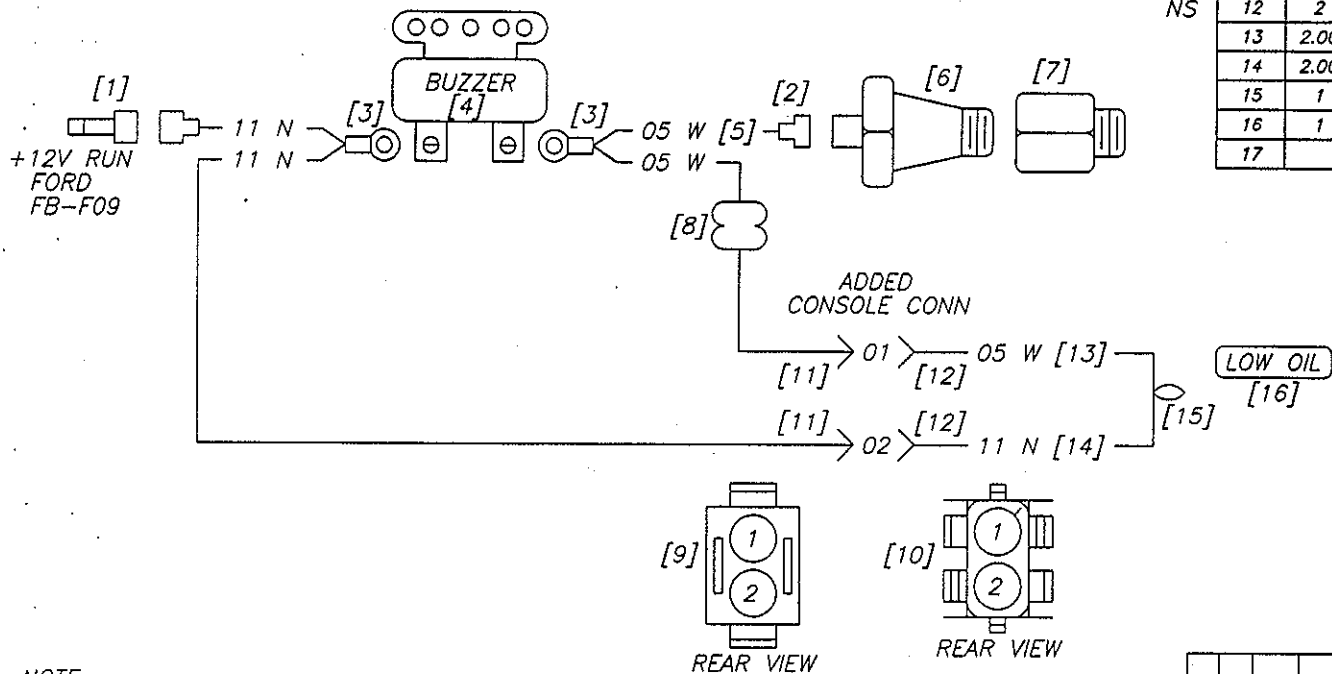
ITEM	QTY.	PART NO.	DESCRIPTION
1	10.00	69075	WIRE, GXL 14 AWG PURPLE 30 P 120"
2	10.00	69095	WIRE, GXL 14 AWG BROWN 11N 120"
3	2	0001138	CONN, RING 14-16 AWG X #10 INS
4	1	65316	LIGHT, RED INDICATOR
5	1	62041	CONN, FEM PUSHON 14-16 AWG ENC REEL
6			
7	1	0011406	SENDER, OIL MOTOGUARD
8	1	01050010	FITTING, BRASS BUSHING 3/8 MPT & 1/8 FPT
9			
10	10.00	69850	FLEXLOOM, 1/4" SLIT 120"
11	1	70156	CHIP, 1/P 'LOW OIL' ENG
12			
13	1	61800	CONN, BUTT INSULATED 14-16 AWG.
14	1	61441	BUZZER, DOOR AJAR (CH)
15			
16			

LOCATION  
REAR OF  
ENG.

NOTE:

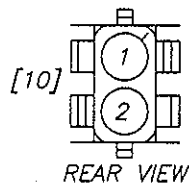
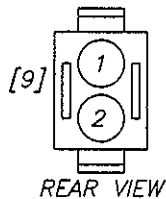
1. [Y] WHERE Y REFERS TO THE B.O.M. ITEM NUMBER.
2. ALL ELECTRICAL GROUND CONNECTIONS WILL USE STAR WASHERS.
3. B.O.M. ITEMS NUMBERS 7, 8, 9, 12 AND FORD OIL PRESSURE SENDER WILL BE SEALED WITH ENC# E52613.
4. FB = FUSE BLOCK

NEXT ASSY.: NONE		B DWR 08/15/96		CHG CONN PT FOR +12V RUN	03851	 304 AVENUE B 3D INDUSTRIAL AREA SALINA, KS. 67401	ELDERADO NATIONAL CO. A THOR INDUSTRIES COMPANY TITLE: SCHEMATIC, 97 AL/AT LOW OIL BUZZER & LIGHT #2340
SUPERCEDES: 0019478		A BJM 10/25/96		UPDATE HARNESS	01976		
DO NOT SCALE DRAWING		- BJM 10/16/96		RELEASE TO PRODUCTION			
MARK PART NUMBER AND REVISION ON ALL PARTS		REV.	BY	DATE	DESCRIPTION	ER NUMBER	
THIS DRAWING IS THE PROPERTY OF ELDERADO NATIONAL COMPANY, A THOR INDUSTRIES COMPANY AND IS NOT TO BE DUPLICATED OR USED IN ANY WAY DETRIMENTAL TO THEIR BEST INTEREST.		TOLERANCE UNLESS SPECIFIED		DRAWING INFORMATION		MAT'L SPEC. SEE B.O.M.	
		FRACTIONS ± 1/16	DECIMALS .00 ± .06	ANGLES ± 1 DEG.	DATE: 10/16/96	SIZE: B	PART NUMBER: 0023190
					SCALE: 1/1	WT.:	PAGE: 1 of 1



NS  
NS

ITEM	QTY.	PART NO.	DESCRIPTION
1	REF	61990	TERM, BLADE FUSE DISCONNECT
2	1	62041	CONN, FEM PUSH-ON 14-16 AWG ENC
3	2	62160	CONN, RING 10-12 AWG X #10 INS
4	1	61441	BUZZER, DOOR AJAR (CH)
5	15.00	69045	WIRE, GXL 14 AWG WHITE 05W 1 @ 180.00"
6	1	0011406	SENDER, NC OIL PRESSURE
7	1	45430	FITTING, STL #4 MALE BOSS X 1/8 FPT
8	12.00	69850	FLEXLOOM, 1/4" SLIT 1 @ 144.00"
9	1	62772	PLUG, 2-CIRCUIT
10	1	62773	CAP, 2-CIRCUIT
11	2	62765	SOCKET, 14-18 AWG REEL
12	2	62764	PIN, 14-18 AWG REEL
13	2.00	69045	WIRE, GXL 14 AWG WHITE 05W 1 @ 24.00"
14	2.00	69795	WIRE, GXL 16 AWG BROWN 11N 1 @ 24.00"
15	1	65316	LIGHT, RED INDICATOR
16	1	70794	DECAL, LOW OIL
17			



NOTE

- [Y] WHERE Y REFERS TO THE B.O.M. ITEM NUMBER.
- ALL ELECTRICAL CHASSIS GROUND CONNECTIONS WILL USE STAR WASHERS.
- ALL EXTERIOR WIRING CONNECTIONS WILL BE COVERED WITH MASTIC LINED HEAT SHRINK TUBING.
- NS - NOT SHOWN ON DRAWING

NEXT ASSY.: NONE

SUPERCEDES: NONE

DO NOT SCALE DRAWING

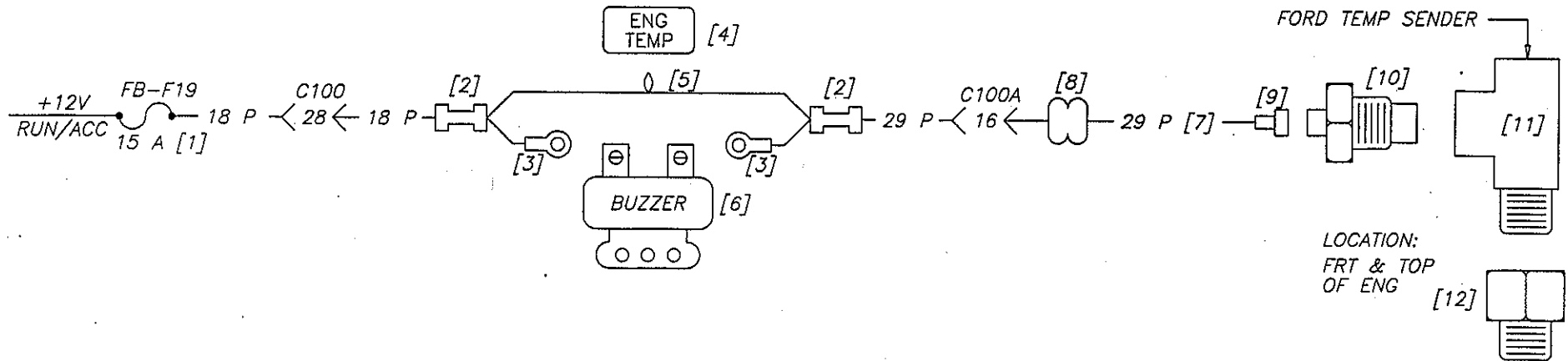
MARK PART NUMBER AND REVISION ON ALL PARTS

THIS DRAWING IS THE PROPERTY OF ELDERADO NATIONAL COMPANY, A THOR INDUSTRIES COMPANY AND IS NOT TO BE DUPLICATED OR USED IN ANY WAY DETRIMENTAL TO THEIR BEST INTEREST.

REV.	BY	DATE	DESCRIPTION	ER NUMBER
A	DWR	02/08/94	CORR OPTION NUMBER FROM 2340 TO 2341	01560
-	DWR	12/22/95	RELEASE TO PRODUCTION	01483

**ELDERADO NATIONAL CO. A THOR INDUSTRIES COMPANY**  
 304 AVENUE B  
 50, INDUSTRIAL AREA  
 SALINA, KS. 67401  
 TITLE: SCHEMATIC, '96 DSL LOW OIL PRESSURE BUZZER & LIGHT #2341  
 MAT'L SPEC. SEE B.O.M.  
 PART NUMBER: 0022510  
 PAGE: 1 of 1

ITEM	QTY.	PART NO.	DESCRIPTION
1	1	63069	FUSE, 15A BLADE
2	2	61800	CONN, BUTT 14-16 AWG INS
3	2	62320	CONN, RING 14-16 AWG X #10 INS
4	1	70163	CHIP, INST PNL ' ENG TEMP' ENG
5	1	65316	LIGHT, RED INDICATOR
6	1	61441	BUZZER, DOOR AJAR (CH)
7	10.00	69075	WIRE, GXL 14 AWG PURPLE 29P 1 @ 120.00"
8	10.00	69850	FLEXLOOM, 1/4 SLIT 1 @ 120.00"
9	1	62041	CONN, FEM 14-16 AWG PUSHON ENG REEL
10	1	0011407	SENDER, TEMP MOTORGUARD CLOSE @ 230°F
11	1	46381	TEE, BRASS 3/8 MPT X 3/8 FPT X 3/8 FPT
12	1	01050074	FITTING, BRASS ADAPTER 3/8 MPT x 3/8 FPT

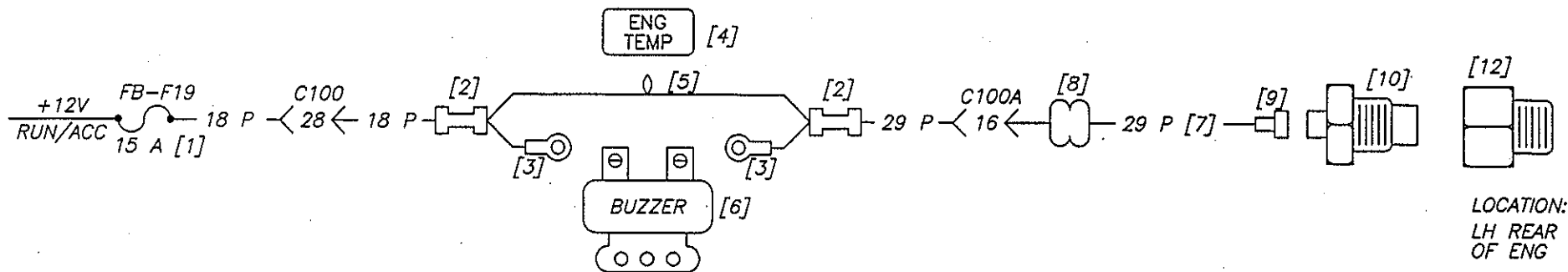


LOCATION:  
FRT & TOP  
OF ENG

- NOTE
- [Y] WHERE Y REFERS TO THE B.O.M. ITEM NUMBER.
  - ALL ELECTRICAL CHASSIS GROUND CONNECTIONS WILL USE STAR WASHERS.
  - ALL EXTERIOR WIRING CONNECTIONS WILL BE COVERED WITH MASTIC LINED HEAT SHRINK TUBING.
  - B.O.M. ITEMS 10 AND 11 WILL BE SEALED WITH E52613.

NEXT ASSY.: NONE		A B.M. 3/13/97		ADDED ITEM #12	02288
SUPERCEDES: 0016145		- DWR 10/26/96		RELEASE TO PRODUCTION	01978
DO NOT SCALE DRAWING		MARK PART NUMBER AND REVISION ON ALL PARTS		REV. BY DATE	DESCRIPTION
THIS DRAWING IS THE PROPERTY OF ELDERADO NATIONAL COMPANY, A THOR INDUSTRIES COMPANY AND IS NOT TO BE DUPLICATED OR USED IN ANY WAY DETRIMENTAL TO THEIR BEST INTEREST.		TOLERANCE UNLESS SPECIFIED		DRAWING INFORMATION	
FRACTIONS ± 1/16		DECIMALS .00 ± .00		DATES 10/28/96	
ANGLES ± 1 DEG.		SCALE 1=1		WT:	
Eldorado National Co., A Thor Industries Company			304 AVENUE B SO. INDUSTRIAL AREA SALINA, KS. 67401		
TITLE: SCHEMATIC, 97 AT/AL 6.8L HI-TEMP BUZZER & LIGHT #2330			PART NUMBER 0023217		
MATERIAL SPEC. SEE B.O.M.			PAGE 1 OF 1		

ITEM	QTY.	PART NO.	DESCRIPTION
1	1	63069	FUSE, 15A BLADE
2	2	61800	CONN, BUTT 14-16 AWG INS
3	2	62320	CONN, RING 14-16 AWG X #10 INS
4	1	70163	CHIP, INST PNL ' ENG TEMP' ENG
5	1	65316	LIGHT, RED INDICATOR
6	1	61440	BUZZER, DOOR AJAR
7	10.00	69075	WIRE, GXL 14 AWG PURPLE 29P 1 @ 120.00"
8	10.00	69850	FLEXLOOM, 1/4 SLIT 1 @ 120.00"
9	1	62041	CONN, FEM 14-16 AWG PUSHON ENC REEL
10	1	0011407	SENDER, TEMP MOTORGUARD CLOSE @ 230°F
11	1	46401	FITTING, 3/8 FPT - 1/2 MPT

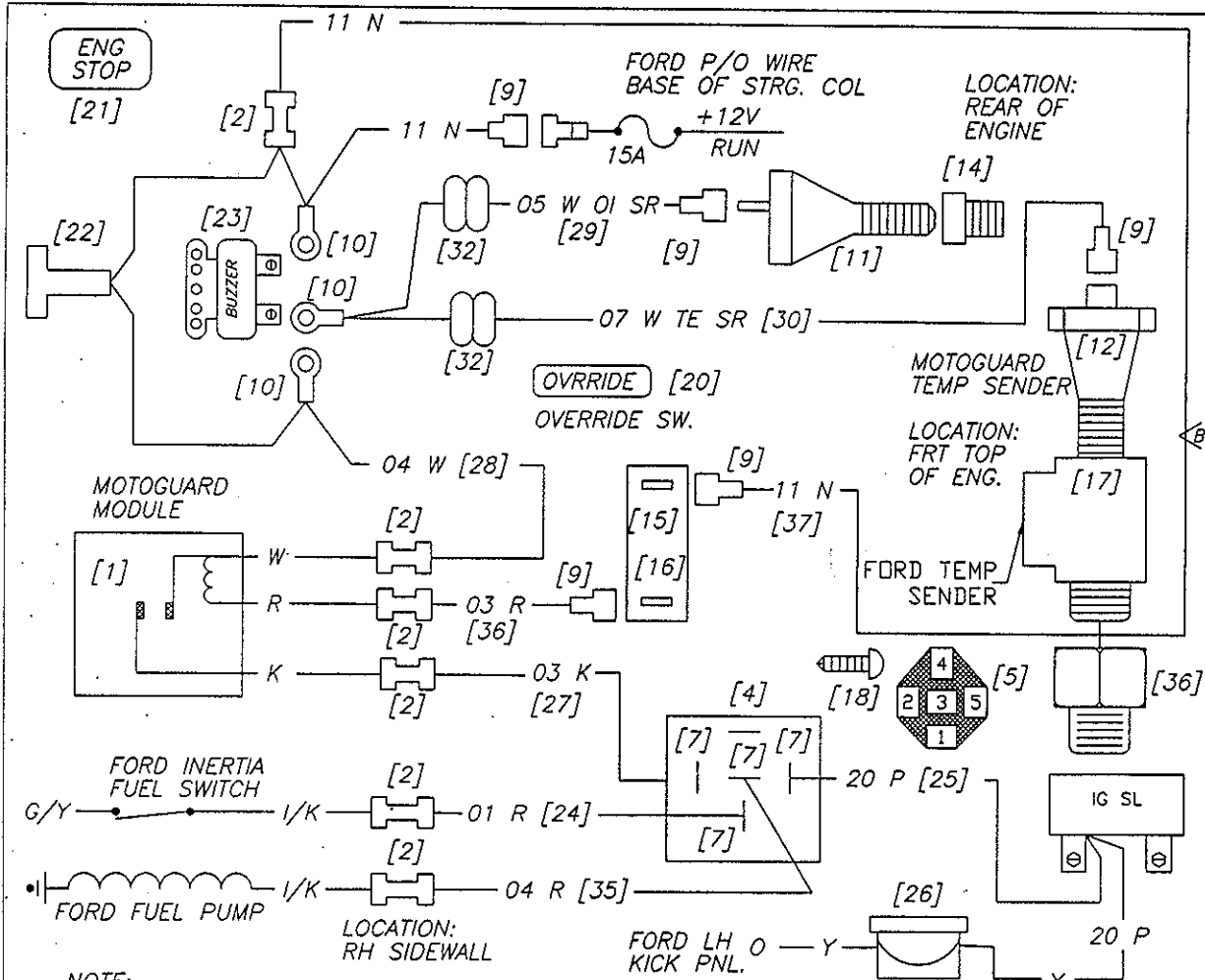


LOCATION:  
LH REAR  
OF ENG

**NOTE**


- [Y] WHERE Y REFERS TO THE B.O.M. ITEM NUMBER.
- ALL ELECTRICAL CHASSIS GROUND CONNECTIONS WILL USE STAR WASHERS.
- ALL EXTERIOR WIRING CONNECTIONS WILL BE COVERED WITH MASTIC LINED HEAT SHRINK TUBING.
- B.O.M. ITEMS 10 AND 11 WILL BE SEALED WITH E52613.

NEXT ASSY.: NONE				Eldorado National Co. A THOR INDUSTRIES COMPANY	
SUPERCEDES: NONE				TITLE: HI-TEMP SCHEMATIC, 97 AT/AL 7.3L BUZZER & LIGHT #2331 DSL	
DO NOT SCALE DRAWING		REV. BY	DATE	DESCRIPTION	ER NUMBER
MARK PART NUMBER AND REVISION ON ALL PARTS		JWV	4/20/97	RELEASE TO PRODUCTION	02324
THIS DRAWING IS THE PROPERTY OF ELDERADO NATIONAL COMPANY, A THOR INDUSTRIES COMPANY AND IS NOT TO BE DUPLICATED OR USED IN ANY WAY DETRIMENTAL TO THEIR BEST INTEREST.		TOLERANCE UNLESS SPECIFIED		DRAWING INFORMATION	
		FRACTIONS ± 1/16		DRAWN BY: ASD	
		DECIMALS .00 ± .08		DATE: 8/20/97	
		ANGLES ± 1 DEG.		SCALE: 1=1	
				PART NUMBER 0023872	
				PAGE 1 of 1	




ITEM	QTY.	PART NO.	DESCRIPTION
1	1	1301050-16	MOTOGUARD MODULE
2	6	61800	CONN, BUTT 14-16 AWG INS.
3			
4	1	68323	RELAY, SPDT WITH MOUNT
5	1	69860	CONN, AMP RELAY SOCKET
6			
7	4	68467	TERM, AMP 14-16 AWG RELAY CONN
8			
9	5	62041	CONN, FEM PUSHON 14-16 AWG ENG. REEL
10	3	62160	CONN, RING 10-12 AWG X #10 INS.
11	1	0011406	SENDER, OIL MOTOGUARD OPENS @ 2-7 LBS
12	1	0011407	SENDER, TEMP MOTOGUARD CLOSES @ 230°F
13			
14	1	01050010	FITTING, BRASS BSHG 3/8 MPT x 1/8 MPT
15	1	67683	SWITCH, SPST ON/MOM OFF BAT TOG
16	REF	67723	GUARD, TOGGLE SWITCH W/ SPRING RTN
17	1	46381	TEE, BRASS 3/8 MPT X 3/8 MPT X 3/8 MPT
18	1	116920	SCREW, TEK #8 X 1/2" PH PHIL
19			
20	1	70166	CHIP, INST PNL 'OVERRIDE' ENG
21	1	70150	CHIP, INST PNL 'ENG STOP' ENG
22	1	65316	LIGHT, RED INDICATOR
23	1	61441	BUZZER, DOOR AJAR
24	6.00	69065	WIRE, GXL 14 AWG RED 01R 6.00'
25	2.00	69075	WIRE, GXL 14 AWG PURPLE 20P 2.00'
26	REF	63069	FUSE, 15 A BLADE
27	6.00	69050	WIRE, GXL 14 AWG BLACK 03K 6.00'
28	6.00	69045	WIRE, GXL 14 AWG WHITE 04W 6.00'
29	6.00	69045	WIRE, GXL 14 AWG WHITE 05W 6.00'
30	6.00	69045	WIRE, GXL 14 AWG WHITE 07W 6.00'

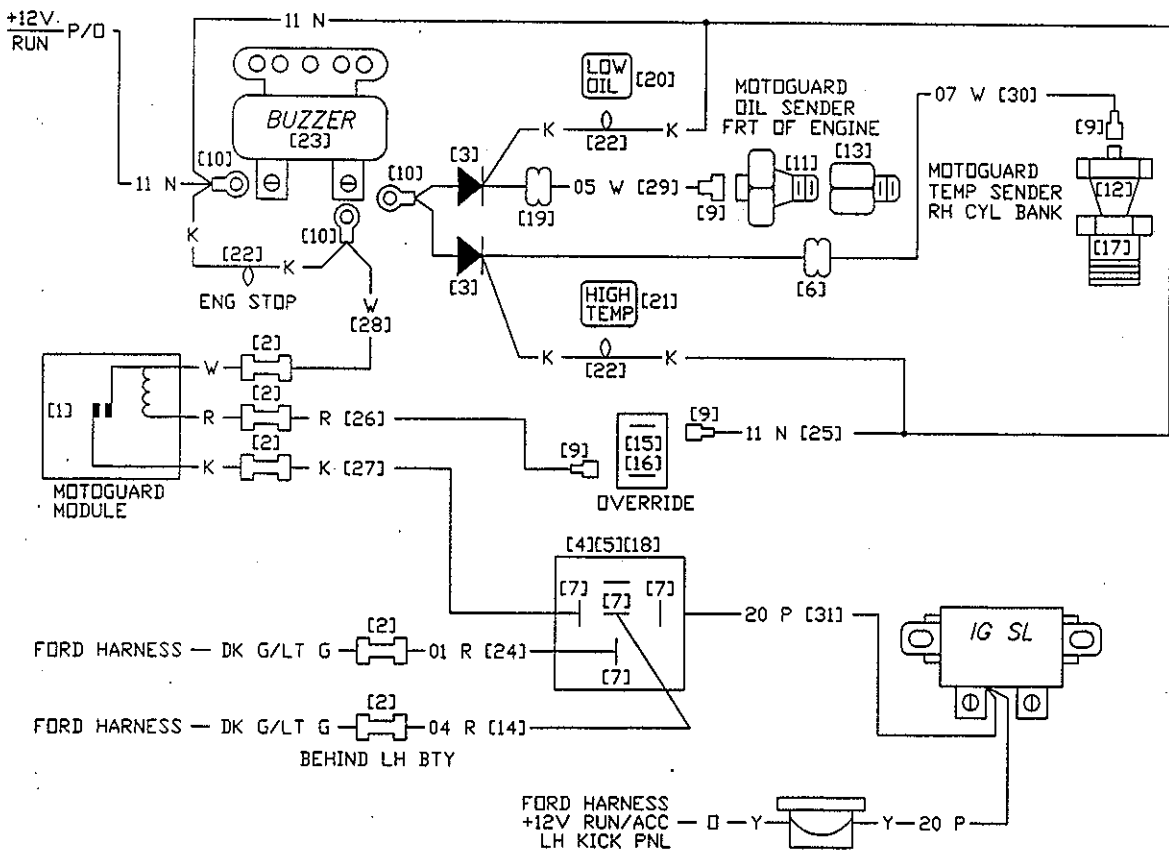
- NOTE:
1. [Y] WHERE Y REFERS TO THE B.O.M. ITEM NUMBER.
  2. ALL ELECTRICAL CHASSIS GROUND CONNECTIONS WILL USE STAR WASHERS.
  3. FB - FUSE BLOCK
  4. USE ENC# E52613, TEFLON TAPE, TO SEAL B.O.M. ITEMS 11, 12, 13, 14, 17, 33, AND 34.
  5. AN ALARM OCCURS 15-30 SECONDS BEFORE ENGINE SHUTDOWN.

NEXT ASSY.: NONE		B	B/M	3/12/96	CHG. B.O.M. ITEM #14	03249	 304 AVENUE B 501 INDUSTRIAL AREA SALINA, KS. 67401
SUPERCEDES: 0021195		A	B/M	3/13/97	ADDED ITEM #36	02268	
DO NOT SCALE DRAWING				RELEASE TO PRODUCTION		01976	TITLE: SCHEMATIC, '97 6.8 L MOTOGUARD #2318
MARK PART NUMBER AND REVISION ON ALL PARTS		REV.	BY	DATE	DESCRIPTION	EX NUMBER	MATL. SPEC. SEE B.O.M.
THIS DRAWING IS THE PROPERTY OF ELDERADO NATIONAL COMPANY, A THOR INDUSTRIES COMPANY AND IS NOT TO BE DUPLICATED OR USED IN ANY WAY DETRIMENTAL TO THEIR BEST INTEREST.		TOLERANCE UNLESS SPECIFIED		DRAWING INFORMATION			
		FRACTIONS ± 1/16	DRAWN: AGOULLAN		CHKD:	PART NUMBER	0023219
		DECIMALS .00 ± .08	DATE: 10/26/96	SIZE: B	WF.		
		ANGLES ± 1 DEG.	SCALE: NTS				PAGE 1 of 2

ITEM	QTY.	PART NO.	DESCRIPTION
31			
32	12.00	69850	FLEXLOOM, 1/4" SLIT 2 @ 6.00'
33	6.00	69065	WIRE, GXL 14 AWG RED 04R 6.00'
34	6.00	69065	WIRE, GXL 14 AWG RED 03R 6.00'
35	1.00	69795	WIRE, GXL 16 AWG BROWN 11N 1.00'
36	1	01050074	FITTING, BRASS ADAPTER 3/8 MPT x 3/8 FPT
37			

NEXT ASSY.: NONE		B	BJM	3/12/98	CHG. B.O.M. ITEM #14	03249	 304 AVENUE B SO. INDUSTRIAL AREA SALINA, KS. 67401
SUPERCEDES: 0021195		A	BJM	3/13/97	ADDED ITEM #35	02288	
DO NOT SCALE DRAWING		-	BJM	10/28/98	RELEASE TO PRODUCTION	01978	TITLE: SCHEMATIC, '97 6.8 L MOTORGUARD #2318
MARK PART NUMBER AND REVISION ON ALL PARTS		REV.	BY	DATE	DESCRIPTION	DR NUMBER	MAT'L SPEC. SEE B.O.M.
THIS DRAWING IS THE PROPERTY OF ELDORADO NATIONAL COMPANY, A THOR INDUSTRIES COMPANY AND IS NOT TO BE DUPLICATED OR USED IN ANY WAY DETRIMENTAL TO THEIR BEST INTEREST.		TOLERANCE UNLESS SPECIFIED		DRAWING INFORMATION			
		FRACTIONS ± 1/16		DRAWN/COULLAN	CRD:	PART NUMBER	
		DECIMALS .00 ± .06		DATE 10/28/98	SIZE: B	0023219	
ANGLES ± 1 DEG.		SCALE: NTS	WT:	PAGE		2 of 2	

FORD HARNESS  
BASE OF STRG COL



ITEM	QTY.	PART NO.	DESCRIPTION
1	1	1301050-16	MOTORGUARD MODULE
2	5	61800	CONN, BUTT 14-16 AWG INS
3	2	60800	DIODE, 6A RECTIFIER
4	1	68323	RELAY, SPDT WITH MOUNT
5	1	69860	CONN, AMP RELAY SOCKET
6	6.00	69850	FLEXLOOM, 1/4 SLIT 1 @ 72.00"
7	4	68467	TERM, AMP 14-16 AWG RELAY CONN
8			
9	4	62041	CONN, FEM PUSHON 14-16 AWG ENC
10	3	62160	CONN, RING 10-12 AWG X #10 INS
11	1	0011406	SENDER, OIL MOTOGUARD CLOSE @ 2-7 LBS
12	1	0011407	SENDER, TEMP MOTOGUARD CLOSE @ 230°F
13	1	45430	FITTING, STL #4 MALE BOSS X 1/8 FPT
14	12.00	69065	WIRE, GXL 14 AWG RED 04R 1 @ 144.00"
15	1	67683	SWITCH, SPST ON/MOM OFF BAT TOG
16	REF	67723	GUARD, TOGGLE SW W/SPRING RTN
17	1	46401	BUSHING, BRASS 1/2" MP X 3/8" FP
18	1	116920	SCREW, TEK #8 X 1/2" PH PHIL
19	12.00	69850	FLEXLOOM, 1/4" SLIT 1 @ 144.00"
20	1	70885	DECAL, 'LOW OIL' ENG
21	1	70886	DECAL, 'HIGH TEMP' ENG
22	3	65316	LIGHT, RED INDICATOR
23	1	61441	BUZZER, DOOR AJAR (CH)
24	12.00	69065	WIRE, GXL 14 AWG RED 01R 1 @ 144.00"
25	3.00	69795	WIRE, GXL 16 AWG BROWN 11N 1 @ 36.00"
26	3.00	69065	WIRE, GXL 14 AWG RED R 1 @ 36.00"
27	1.00	69050	WIRE, GXL 14 AWG BLACK K 1 @ 12.00"
28	3.00	69045	WIRE, GXL 14 AWG WHITE W 1 @ 36.00"
29	12.00	69045	WIRE, GXL 14 AWG WHITE 05W 1 @ 144.00"
30	6.00	69045	WIRE, GXL 14 AWG WHITE 07W 1 @ 72.00"
31	2.00	69075	WIRE, GXL 14 AWG PURPLE 20P 1 @ 24.00"

- NOTE:
- [Y] WHERE Y REFERS TO THE B.O.M. ITEM NUMBER.
  - ALL ELECTRICAL CHASSIS GROUND CONNECTIONS WILL USE STAR WASHERS.
  - FB - FUSE BLOCK; NS - NOT SHOWN ON THIS DRAWING
  - USE ENC# E52613, TEFLON TAPE, TO SEAL B.O.M. ITEMS 11, 12, AND 17.
  - AN ALARM WILL OCCUR 15-30 SECONDS BEFORE ENGINE SHUTDOWN.

NEXT ASSY.: NONE

SUPERCEDES: NONE

DO NOT SCALE DRAWING

MARK PART NUMBER AND REVISION ON ALL PARTS

THIS DRAWING IS THE PROPERTY OF ELDOORADO NATIONAL COMPANY, A THOR INDUSTRIES COMPANY AND IS NOT TO BE DUPLICATED OR USED IN ANY WAY DETRIMENTAL TO THEIR BEST INTEREST.

REV.	BY	DATE	DESCRIPTION	ER NUMBER
-	DWR	02/14/97	RELEASE TO PRODUCTION	02183

TOLERANCE UNLESS SPECIFIED	DRAWING INFORMATION
FRACTIONS ± 1/16	DRAWN: FRED
DECIMALS .00 ± .08	DATE: 02/10/97
ANGLES ± 1 DEG.	SCALE: 1=4



304 AVENUE B  
SO. INDUSTRIAL AREA  
SALINA, KS. 67401

ELDOORADO NATIONAL CO. A THOR INDUSTRIES COMPANY

TITLE: SCHEMATIC, '97 DSL MOTORGUARD

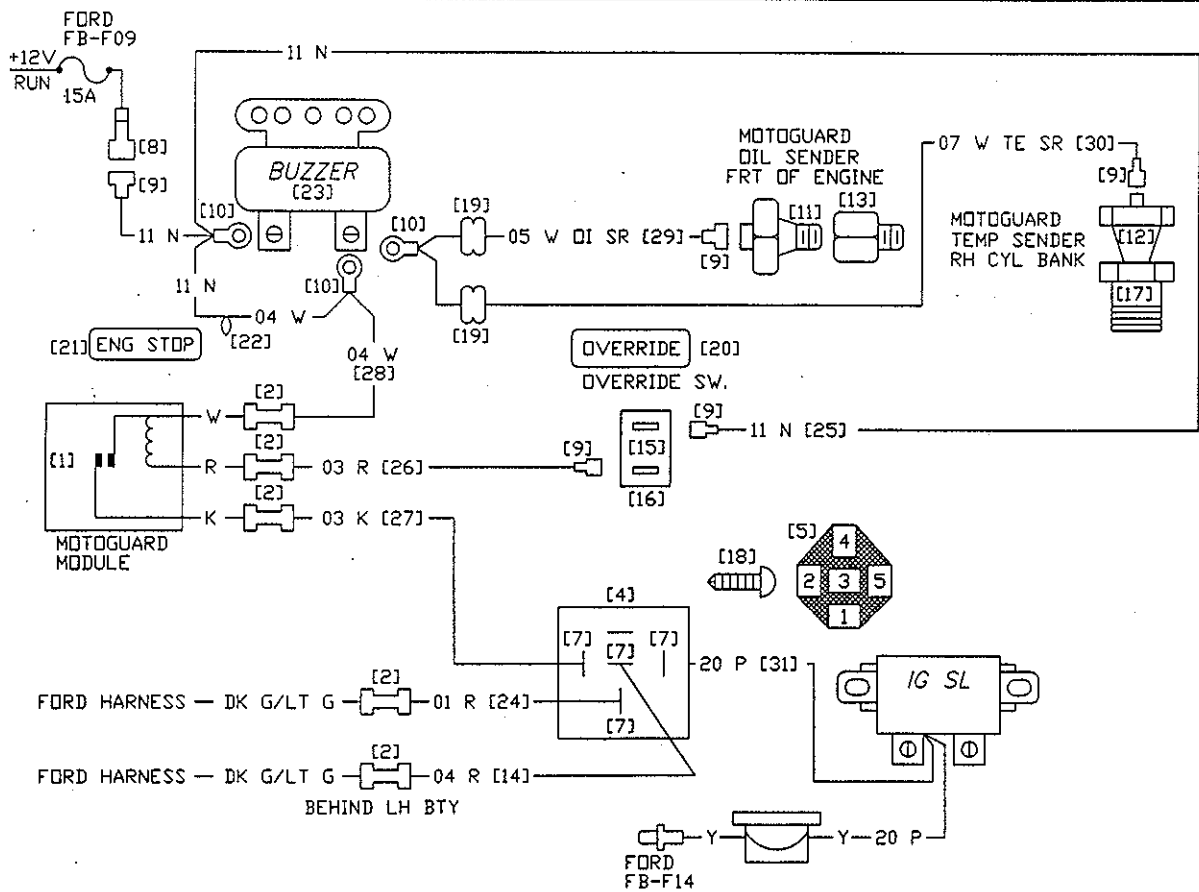
WITH LOW OIL & HI TEMP LTS #2315

SEE B.O.M.

PART NUMBER 0023475

PAGE 1 of 1





ITEM	QTY.	PART NO.	DESCRIPTION
1	1	1301050-16	MOTOGUARD SYSTEM
2	5	61800	CONN, BUTT 14-16 AWG INS
3			
4	1	68323	RELAY, SPDT WITH MOUNT
5	1	69860	CONN, AMP RELAY SOCKET
6			
7	4	68467	TERM, AMP 14-16 AWG RELAY CONN
8	1	61990	TERM, ATO FUSE DISCONNECT
9	5	62041	CONN, FEM PUSHON 14-16 AWG ENC
10	3	62160	CONN, RING 10-12 AWG X #10 INS
11	1	0011406	SENDER, OIL MOTOGUARD CLOSE @ 2-7 LBS
12	1	0011407	SENDER, TEMP MOTOGUARD CLOSE @ 230°F
13	1	45430	FITTING, STL #4 MALE BOSS X 1/8 FPT
14	12.00	69065	WIRE, GXL 14 AWG RED 04R 1 @ 144.00"
15	1	67683	SWITCH, SPST ON/MOM OFF BAT TOG
16	REF	67723	GUARD, TOGGLE SW W/SPRING RTN
17	1	46401	BUSHING, BRASS 1/2" MP X 3/8" FP
18	1	116920	SCREW, TEK #8 X 1/2" PH PHIL
19	24.00	69850	FLEXLOOM, 1/4" SLIT 2 @ 144.00"
20	1	70704	DECAL, 'OVERRIDE'
21	1	70761	DECAL, 'ENG STOP'
22	1	65316	LIGHT, RED INDICATOR
23	1	61441	BUZZER, DOOR AJAR (CH)
24	12.00	69065	WIRE, GXL 14 AWG RED 01R 1 @ 144.00"
25	1.00	69795	WIRE, GXL 16 AWG BROWN 11N 1 @ 12.00"
26	6.00	69065	WIRE, GXL 14 AWG RED 03R 1 @ 72.00"
27	6.00	69050	WIRE, GXL 14 AWG BLACK 03K 1 @ 72.00"
28	6.00	69045	WIRE, GXL 14 AWG WHITE 04W 1 @ 72.00"
29	6.00	69045	WIRE, GXL 14 AWG WHITE 05W 1 @ 72.00"
30	6.00	69045	WIRE, GXL 14 AWG WHITE 07W 1 @ 72.00"
31	1.00	69075	WIRE, GXL 14 AWG PURPLE 20P 1 @ 12.00"

NOTE:

- [Y] WHERE Y REFERS TO THE B.O.M. ITEM NUMBER.
- ALL ELECTRICAL CHASSIS GROUND CONNECTIONS WILL USE STAR WASHERS.
- FB - FUSE BLOCK
- USE ENCH E52613, TEFLON TAPE, TO SEAL B.O.M. ITEMS 11, 12, AND 17.
- AN ALARM WILL OCCUR 15-30 SECONDS BEFORE ENGINE SHUTDOWN.

NEXT ASSY.: NONE  
 SUPERCEDES: 0021196  
**DO NOT SCALE DRAWING**  
 MARK PART NUMBER AND REVISION ON ALL PARTS

REV.	BY	DATE	DESCRIPTION	ER NUMBER
	DWR	12/22/95	RELEASE TO PRODUCTION	01483

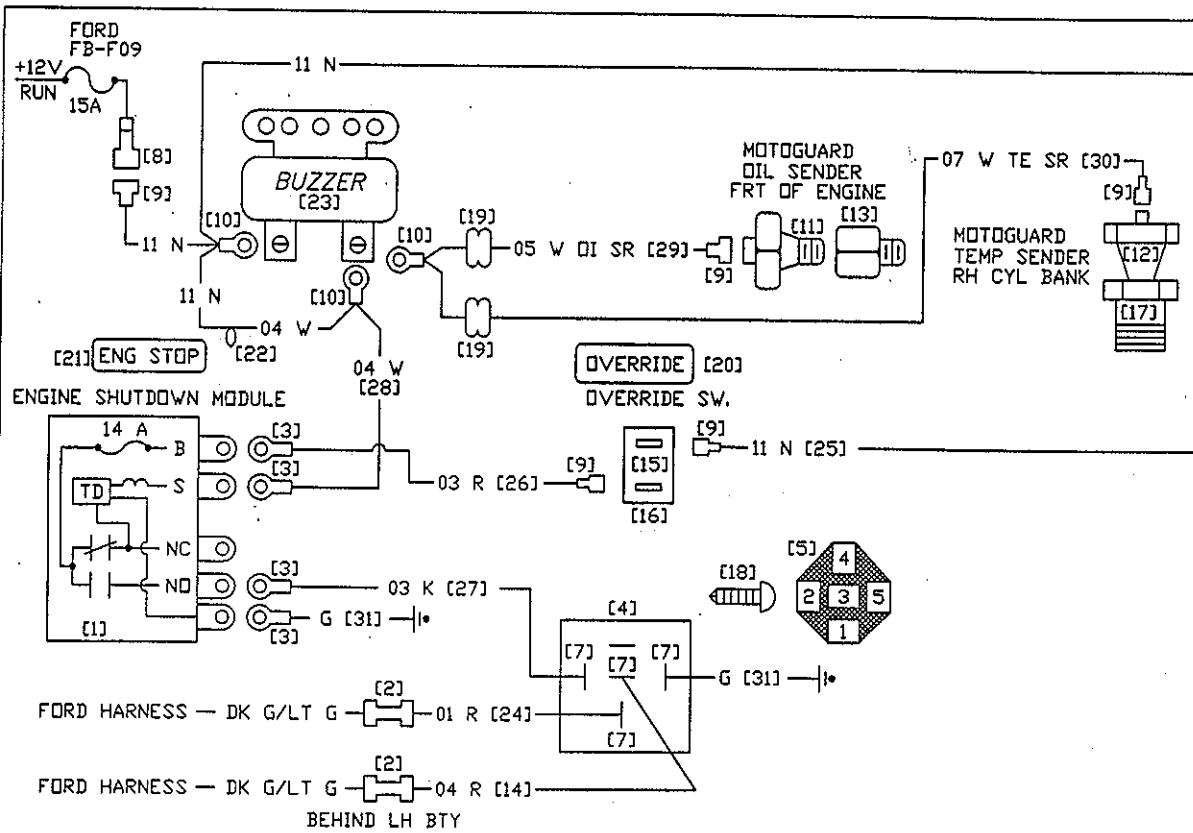
TOLERANCE UNLESS SPECIFIED  
 FRACTIONS ± 1/16  
 DECIMALS .00 ± .06  
 ANGLES ± 1 DEG.

DRAWING INFORMATION  
 DRAWN: FEE C  
 DATE: 12/21/95  
 SCALE: 1=4

ELDORADO NATIONAL CO. A THOR INDUSTRIES COMPANY  
 TITLE: SCHEMATIC, '96 DSL MOTOGUARD #2315  
 PART NUMBER: 0022515  
 PAGE: 1 of 1




304 AVENUE B  
 SO. INDUSTRIAL AREA  
 SALINA, KS. 67401



ITEM	QTY.	PART NO.	DESCRIPTION
1	1	121750	MODULE, MURPHY 30 S ENG SHUTDOWN TIMER
2	2	61800	CONN, BUTT 14-16 AWG INS
3	4	62320	CONN, RING 14-16 AWG X #10 INS
4	1	68323	RELAY, SPDT WITH MOUNT
5	1	69860	CONN, AMP RELAY SOCKET
6			
7	4	68467	TERM, AMP 14-16 AWG RELAY CONN
8	1	61990	TERM, ATO FUSE DISCONNECT
9	5	62041	CONN, FEM PUSHON 14-16 AWG ENC
10	3	62160	CONN, RING 10-12 AWG X #10 INS
11	1	0011406	SENDER, OIL MOTOGUARD CLOSE @ 2-7 LBS
12	1	0011407	SENDER, TEMP MOTOGUARD CLOSE @ 230°F
13	1	45430	FITTING, STL #4 MALE BOSS X 1/8 FPT
14	12.00	69065	WIRE, GXL 14 AWG RED 04R 1 @ 144.00"
15	1	67683	SWITCH, SPST ON/MOM OFF BAT TOG
16	REF	67723	GUARD, TOGGLE SW W/SPRING RTN
17	1	46401	BUSHING, BRASS 1/2" MP X 3/8" FP
18	1	116920	SCREW, TEK #8 X 1/2" PH PHIL
19	24.00	69850	FLEXLOOM, 1/4" SLIT 2 @ 144.00"
20	1	70704	DECAL, 'OVERRIDE'
21	1	70761	DECAL, 'ENG STOP'
22	1	65316	LIGHT, RED INDICATOR
23	1	61441	BUZZER, DOOR AJAR (CH)
24	12.00	69065	WIRE, GXL 14 AWG RED 01R 1 @ 144.00"
25	1.00	69795	WIRE, GXL 16 AWG BROWN 11N 1 @ 12.00"
26	6.00	69065	WIRE, GXL 14 AWG RED 03R 1 @ 72.00"
27	1.00	69050	WIRE, GXL 14 AWG BLACK 03K 1 @ 12.00"
28	6.00	69045	WIRE, GXL 14 AWG WHITE 04W 1 @ 72.00"
29	12.00	69045	WIRE, GXL 14 AWG WHITE 05W 1 @ 144.00"
30	12.00	69045	WIRE, GXL 14 AWG WHITE 07W 1 @ 144.00"
31	4.00	69785	WIRE, GXL 16 AWG GREEN G 2 @ 24.00"

NOTE:  
 1. [Y] WHERE Y REFERS TO THE B.O.M. ITEM NUMBER.  
 2. ALL ELECTRICAL CHASSIS GROUND CONNECTIONS WILL USE STAR WASHERS.  
 3. FB - FUSE BLDCK  
 4. USE ENC# E52613, TEFLON TAPE, TO SEAL B.O.M. ITEMS 11, 12, AND 17.  
 5. AN ALARM WILL OCCUR 15-30 SECONDS BEFORE ENGINE SHUTDOWN.

NEXT ASSY.: NONE		SUPERCEDES: 0022515	
DO NOT SCALE DRAWING	DWR 06/16/96	RELEASE TO PRODUCTION	01635
MARK PART NUMBER AND REVISION ON ALL PARTS	REV. BY DATE	DESCRIPTION	ER NUMBER
THIS DRAWING IS THE PROPERTY OF ELDERADO NATIONAL COMPANY, A THOR INDUSTRIES COMPANY AND IS NOT TO BE DUPLICATED OR USED IN ANY WAY DETRIMENTAL TO THEIR BEST INTEREST.		TOLERANCE UNLESS SPECIFIED	DRAWING INFORMATION
		FRACTIONS ± 1/16	DATE: 05/13/95
		DECIMALS .00 ± .08	SCALE: 1"=4"
		ANGLES ± 1 DEG.	WT.:



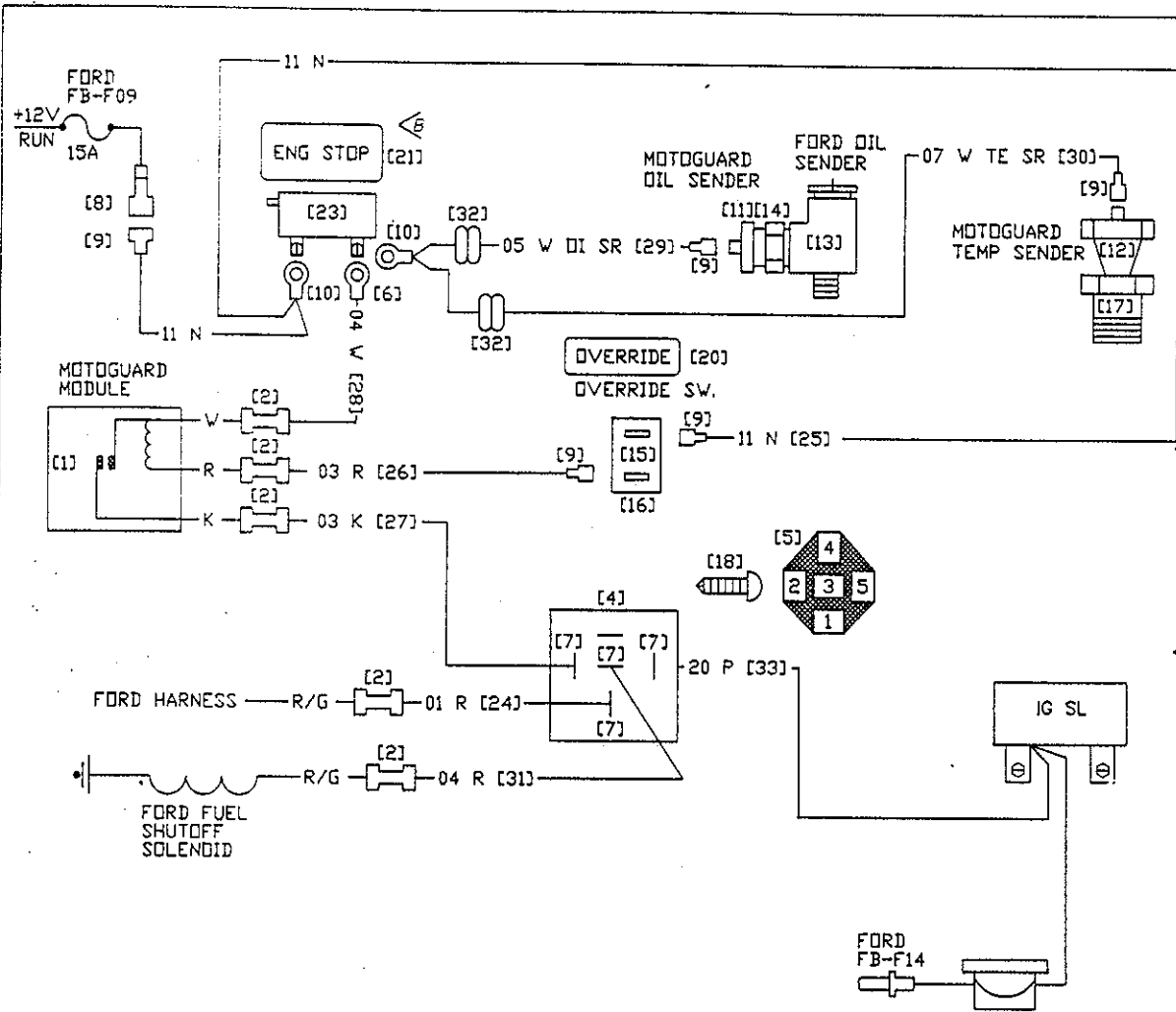
304 AVENUE B  
 501 INDUSTRIAL AREA  
 SALINA, KS 67401

ELDERADO NATIONAL CO. A THOR INDUSTRIES COMPANY

TITLE:  
 SCHEMATIC, 96 DSL ENGINE SHUTDOWN (MURPHY) #2315

PART NUMBER  
**0023051**

PAGE  
 1 of 1




- NOTE:
1. [Y] WHERE Y REFERS TO THE B.O.M. ITEM NUMBER.
  2. ALL ELECTRICAL CHASSIS GROUND CONNECTIONS WILL USE STAR WASHERS.
  3. FB - FUSE BLOCK
  4. USE EN# E52613, TEFLON TAPE, TO SEAL B.O.M. ITEMS 11, 12, 13, 14, AND 17.
  5. AN ALARM WILL OCCUR 15-30 SECONDS BEFORE ENGINE SHUTDOWN.

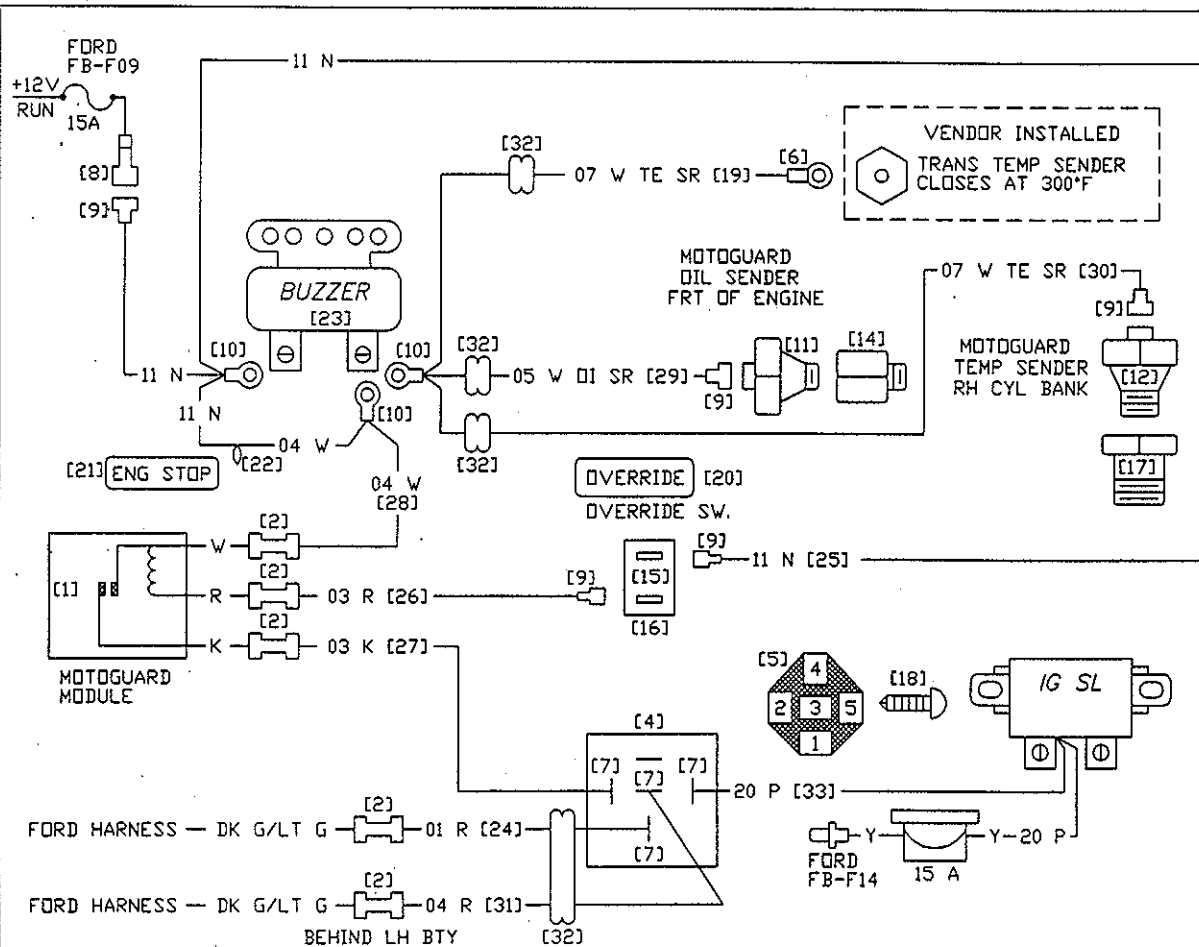
ITEM	QTY.	PART NO.	DESCRIPTION
1	1	1301050-16	MOTOGUARD SYSTEM
2	5	61800	CONN, BUTT 14-16 AWG INS
3	-	-	-
4	1	68323	RELAY, SPDT WITH MOUNT
5	1	69860	CONN, AMP RELAY SOCKET
6	1	62320	CONN, RING 14-16 AWG X #10 INS
7	4	68467	TERM, AMP 14-16 AWG RELAY CONN
8	1	61990	TERM, ATO FUSE DISCONNECT
9	5	61960	CONN, FEM PUSHON 14-16 AWG ENC
10	2	62160	CONN, RING 10-12 AWG X #10 INS
11	1	0011406	SENDER, OIL MOTOGUARD CLOSE @ 2-7 LBS
12	1	0011407	SENDER, TEMP MOTOGUARD CLOSE @ 230°F
13	1	46382	TEE, BRASS 1/4" MP X 1/4" FP X 1/4" FP
14	1	121410	BUSHING, BRASS 14MPT X 18FPT
15	1	67683	SWITCH, SPST ON/MOM OFF BAT TOG SW
16	REF	67723	GUARD, TOGGLE SW W/SPRING RTN
17	1	46401	BUSHING, BRASS 1/2" MP X 3/8" FP
18	1	116920	SCREW, TEK #8 X 1/2" PH PHIL
19	-	-	-
20	1	70704	DECAL, 'OVERRIDE'
21	1	70761	DECAL, 'ENG STOP'
22	-	-	-
23	1	121710	ALARM, BUZZER & LIGHT
24	12.00	69065	WIRE, GXL 14 AWG RED 01R 12.00'
25	1.00	69795	WIRE, GXL 16 AWG BROWN 11N 1.00'
26	6.00	69065	WIRE, GXL 14 AWG RED 03R 6.00'
27	6.00	69050	WIRE, GXL 14 AWG BLACK 03K 6.00'
28	6.00	69045	WIRE, GXL 14 AWG WHITE 04W 6.00'
29	6.00	69045	WIRE, GXL 14 AWG WHITE 05W 6.00'
30	6.00	69045	WIRE, GXL 14 AWG WHITE 07W 6.00'

NEXT ASSY.: NONE  
 SUPERCEDES: 0015512  
**DO NOT SCALE DRAWING**  
 MARK PART NUMBER AND REVISION ON ALL PARTS

ELDORADO NATIONAL CO. A THOR INDUSTRIES COMPANY 304 AVENUE B SO. INDUSTRIAL AREA SALINA, KS. 67401	
TITLE: <b>SCHEMATIC, '94 DSL          MOTOGUARD #2315</b>	
REV. BY DATE DESCRIPTION B A/J 10/25/94 CHG ITEM #14 & #21 A DWR 01/29/94 CHG BOX # 15 - DWR 12/16/93 RELEASE TO PRODUCTION 00483	ER NUMBER 00864 00819 00483
TOLERANCE UNLESS SPECIFIED DRAWING INFORMATION FRACTIONS ± 1/16 DECIMALS .00 ± .06 ANGLES ± 1 DEG.	
MATL SPEC. SEE B.O.M. PART NUMBER <b>0021196</b>	
PAGE <b>1</b> OF 2	

ITEM	QTY.	PART NO.	DESCRIPTION
31	12.00	69065	WIRE, GXL 14 AWG RED 04R 12.00'
32	24.00	69850	FLEXLOOM, 1/4" SLIT 12.00'
33	1.00	69075	WIRE, GXL 14 AWG PURPLE 20P 1.00'
34	-	-	-
35	-	-	-

								304 AVENUE B SO. INDUSTRIAL AREA SALINA, KS. 67401		
NEXT ASSY.: NONE		B	AJD	10/25/94	CHG ITEM #14 & #21	00084	ELDORADO NATIONAL CO. A THOR INDUSTRIES COMPANY			
SUPERCEDES: 0015512		A	DWR	07/29/94	CHG BOM #15	00819	TITLE:			
DO NOT SCALE DRAWING		-	DWR	12/14/93	RELEASE TO PRODUCTION	00483	SCHEMATIC, '94 DSL MOTORGUARD #2315			
MARK PART NUMBER AND REVISION ON ALL PARTS		REV.	BY	DATE	DESCRIPTION	ER NUMBER	MAT'L SPEC.			
THIS DRAWING IS THE PROPERTY OF ELDORADO NATIONAL COMPANY, A THOR INDUSTRIES COMPANY AND IS NOT TO BE DUPLICATED OR USED IN ANY WAY DETRIMENTAL TO THEIR BEST INTEREST.		TOLERANCE UNLESS SPECIFIED				DRAWING INFORMATION				
		FRACTIONS ± 1/16				DRAWN: RED CKD:				
		DECIMALS .00 ± .08				DATE: 12/18/93				
ANGLES ± 1 DEG.				SCALE: NTS				PART NUMBER		PAGE
								0021196		2 of 2



ITEM	QTY.	PART NO.	DESCRIPTION
1	1	1301050-16	MOTOGUARD SYSTEM
2	5	61800	CONN, BUTT 14-16 AWG INS
3			
4	1	68323	RELAY, SPDT WITH MOUNT
5	1	69860	CONN, AMP RELAY SOCKET
6	1	62320	CONN, RING 14-16 AWG X #10 INS
7	4	68467	TERM, AMP 14-16 AWG RELAY CONN
8	1	61990	TERM, ATO FUSE DISCONNECT
9	5	62041	CONN, FEM PUSHON 14-16 AWG ENC
10	3	62160	CONN, RING 10-12 AWG X #10 INS
11	1	0011406	SENDER, OIL MOTOGUARD CLOSE @ 2-7 LBS
12	1	0011407	SENDER, TEMP MOTOGUARD CLOSE @ 230°F
13			
14	1	45430	FITTING, STL #4 MALE BOSS X 1/8 FPT
15	1	67683	SWITCH, SPST ON/MOM OFF BAT TOG
16	REF	67723	GUARD, TOGGLE SW W/SPRING RTN
17	1	46401	BUSHING, BRASS 1/2" MP X 3/8" FP
18	1	116920	SCREW, TEK #8 X 1/2" PH PHIL
19	12.00	69045	WIRE, GXL 14 AWG WHITE 07W 1 @ 144.00"
20	1	70704	DECAL, 'OVERRIDE'
21	1	70761	DECAL, 'ENG STOP'
22	1	65316	LIGHT, RED INDICATOR
23	1	61441	BUZZER, DOOR AJAR (CH)
24	12.00	69065	WIRE, GXL 14 AWG RED 01R 1 @ 144.00"
25	6.00	69795	WIRE, GXL 16 AWG BROWN 11N 1 @ 72.00"
26	6.00	69065	WIRE, GXL 14 AWG RED 03R 1 @ 72.00"
27	6.00	69050	WIRE, GXL 14 AWG BLACK 03K 1 @ 72.00"
28	6.00	69045	WIRE, GXL 14 AWG WHITE 04W 1 @ 72.00"
29	12.00	69045	WIRE, GXL 14 AWG WHITE 05W 1 @ 144.00"
30	12.00	69045	WIRE, GXL 14 AWG WHITE 07W 1 @ 144.00"
31	12.00	69065	WIRE, GXL 14 AWG RED 04R 1 @ 144.00"
32	48.00	69850	FLEXLOOM, 1/4" SLIT 4 @ 144.00"
33	2.00	69075	WIRE, GXL 14 AWG PURPLE 20P 1 @ 24.00"

- NOTE:
- [Y] WHERE Y REFERS TO THE B.O.M. ITEM NUMBER.
  - ALL ELECTRICAL CHASSIS GROUND CONNECTIONS WILL USE STAR WASHERS.
  - FB - FUSE BLOCK
  - USE ENCH# E52613, TEFLON TAPE, TO SEAL B.O.M. ITEMS 11, 12, 14, AND 17.
  - AN ALARM WILL OCCUR 15-30 SECONDS BEFORE ENGINE SHUTDOWN.

NEXT ASSY.: NONE  
 SUPERCEDES: 0021967  
 DO NOT SCALE DRAWING - DWR 12/22/95  
 MARK PART NUMBER AND REVISION ON ALL PARTS

THIS DRAWING IS THE PROPERTY OF ELDORADO NATIONAL COMPANY, A THOR INDUSTRIES COMPANY AND IS NOT TO BE DUPLICATED OR USED IN ANY WAY DETRIMENTAL TO THEIR BEST INTEREST.

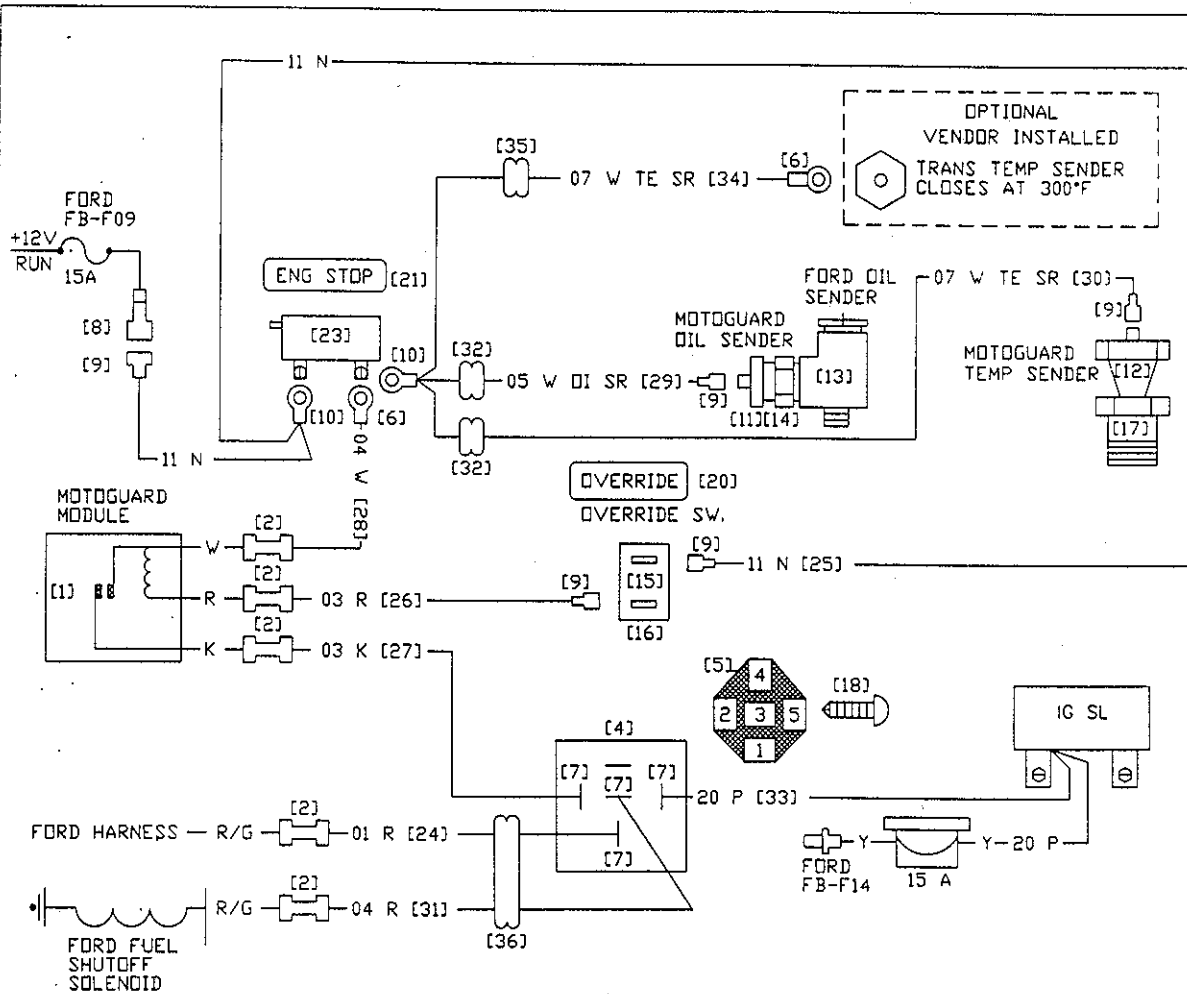
REV.	BY	DATE	DESCRIPTION	ER NUMBER
TOLERANCE UNLESS SPECIFIED		DRAWING INFORMATION		
FRACTIONS ± 1/16		DRAWN: P. E. D.	CRD:	PART NUMBER
DECIMALS .00 ± .06		DATE: 12/22/95	SIZE: B	0022516
ANGLES ± 1 DEG.		SCALE: 1=1	WT:	PAGE
				1 of 1

**ENC**  
 304 AVENUE B  
 SO. INDUSTRIAL AREA  
 SALINA, KS. 67401

ELDORADO NATIONAL CO. A THOR INDUSTRIES COMPANY

TITLE:  
 SCHEMATIC, '96 DSL MOTOGUARD WITH TRANSMISSION TEMP

MAT'L SPEC.  
 SEE B.O.M.



ITEM	QTY.	PART NO.	DESCRIPTION
1	1	1301050-16	MOTOGUARD SYSTEM
2	5	61800	CONN, BUTT 14-16 AWG INS
3	-	-	-
4	1	68323	RELAY, SPDT WITH MOUNT
5	1	69860	CONN, AMP RELAY SOCKET
6	2	62320	CONN, RING 14-16 AWG X #10 INS
7	4	68467	TERM, AMP 14-16 AWG RELAY CONN
8	1	61990	TERM, ATO FUSE DISCONNECT
9	5	62041	CONN, FEM PUSHON 14-16 AWG ENC
10	2	62160	CONN, RING 10-12 AWG X #10 INS
11	1	0011406	SENDER, OIL MOTOGUARD CLOSE @ 2-7 LBS
12	1	0011407	SENDER, TEMP MOTOGUARD CLOSE @ 230°F
13	1	46382	TEE, BRASS 1/4" MP X 1/4" FP X 1/4" FP
14	1	121410	BUSHING, BRASS 1/4MPT X 1/8FPT
15	1	67683	SWITCH, SPST ON/MOM OFF BAT TOG SW
16	REF	67723	GUARD, TOGGLE SW W/SPRING RTN
17	1	46401	BUSHING, BRASS 1/2" MP X 3/8" FP
18	1	116920	SCREW, TEK #8 X 1/2" PH PHIL
19	-	-	-
20	1	70704	DECAL, 'OVERRIDE'
21	1	70761	DECAL, 'ENG STOP'
22	-	-	-
23	1	121710	ALARM, BUZZER & LIGHT
24	12.00	69065	WIRE, GXL 14 AWG RED 01R 1 @ 144.00"
25	1.00	69795	WIRE, GXL 16 AWG BROWN 11N 1 @ 12.00"
26	6.00	69065	WIRE, GXL 14 AWG RED 03R 1 @ 72.00"
27	6.00	69050	WIRE, GXL 14 AWG BLACK 03K 1 @ 72.00"
28	6.00	69045	WIRE, GXL 14 AWG WHITE 04W 1 @ 72.00"
29	6.00	69045	WIRE, GXL 14 AWG WHITE 05W 1 @ 72.00"
30	6.00	69045	WIRE, GXL 14 AWG WHITE 07W 1 @ 72.00"

NOTE:

- [Y] WHERE Y REFERS TO THE B.D.M. ITEM NUMBER.
- ALL ELECTRICAL CHASSIS GROUND CONNECTIONS WILL USE STAR WASHERS.
- FB - FUSE BLOCK
- USE ENC# E52613, TEFLON TAPE, TO SEAL B.D.M. ITEMS 11, 12, 13, 14, AND 17.
- AN ALARM WILL OCCUR 15-30 SECONDS BEFORE ENGINE SHUTDOWN.
- 1st UNIT 8510.

NEXT ASSY.: NONE

SUPERCEDES: NONE

DO NOT SCALE DRAWING - DWR 01/04/95 RELEASE TO PRODUCTION 01051

MARK PART NUMBER AND REVISION ON ALL PARTS

THIS DRAWING IS THE PROPERTY OF EL Dorado NATIONAL COMPANY, A THOR INDUSTRIES COMPANY AND IS NOT TO BE DUPLICATED OR USED IN ANY WAY DETRIMENTAL TO THEIR BEST INTEREST.

REV.	BY	DATE	DESCRIPTION	ER NUMBER	MAT'L SPEC.
			DRAWING INFORMATION		
FRACTIONS ± 1/16			DATE: 01/03/95		SIZE: B
DECIMALS .00 ± .06			SCALE: NTS		WT.:
ANGLES ± 1 DEG.					



304 AVENUE B  
S.D. INDUSTRIAL AREA  
SALINA, KS. 67401

ELDORADO NATIONAL CO. A THOR INDUSTRIES COMPANY

TITLE: SCHEMATIC, '95 DSL MOTOGUARD WITH TRANSMISSION TEMP

SEE B.O.M.

PART NUMBER 0021967

ITEM	QTY.	PART NO.	DESCRIPTION
31	12.00	69065	WIRE, GXL 14 AWG RED 04R 1 @ 144.00"
32	24.00	69850	FLEXLOOM, 1/4" SLIT 2 @ 144.00"
33	1.00	69075	WIRE, GXL 14 AWG PURPLE 20P 1 @ 12.00"
34	10.00	69045	WIRE, GXL 14 AWG WHITE 07W 1 @ 120.00"
35	10.00	69850	FLEXLOOM, 1/4 SLIT 1 @ 120.00"
36	12.00	69850	FLEXLOOM, 1/4 SLIT 1 @ 144.00"
37	-	-	-
38	-	-	-
39	-	-	-
40	-	-	-

NOTE  
1. NS - NOT SHOWN

NEXT ASSY.: NONE  
 SUPERCEDES: NONE  
 DO NOT SCALE DRAWING  
 MARK PART NUMBER AND REVISION ON ALL PARTS  
 THIS DRAWING IS THE PROPERTY OF ELDERADO NATIONAL COMPANY, A THOR INDUSTRIES COMPANY AND IS NOT TO BE DUPLICATED OR USED IN ANY WAY DETRIMENTAL TO THEIR BEST INTEREST.

REV.	BY	DATE	DESCRIPTION	EX NUMBER
-	DWR	01/05/95	RELEASE TO PRODUCTION	01031

**ENC**  
 304 AVENUE B  
 50 INDUSTRIAL AREA  
 SALINA, KS. 67401

ELDERADO NATIONAL CO. A THOR INDUSTRIES COMPANY

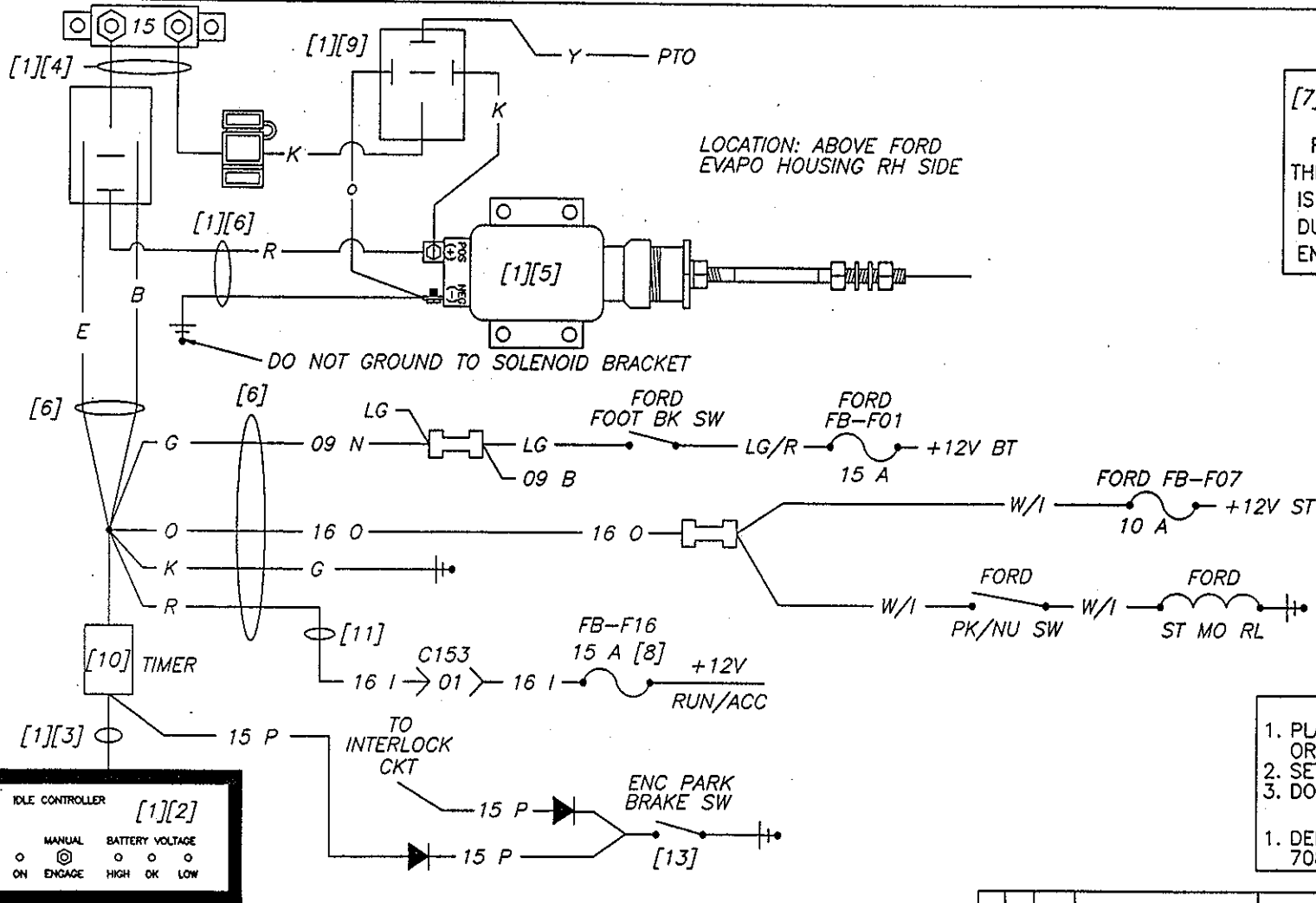
TITLE:  
SCHEMATIC, '95 DSL MOTORGUARD  
WITH TRANSMISSION TEMP

MAT'L SPEC.  
SEE B.O.M.

PART NUMBER  
0021967

PAGE  
2 of 2

TOLERANCE UNLESS SPECIFIED		DRAWING INFORMATION	
FRACTIONS	± 1/16	DRAWN/FEED	CRD.
DECIMALS	.00 ± .08	DATE 01/05/95	SIZE B
ANGLES	± 1 DEG.	SCALE NTS	WT.



[7] CAUTION

FOR FAST IDLE OPERATION,  
THE MAX ENGINE IDLE SPEED  
IS 1200 RPM AND THE MAX  
DURATION IS 15 MINUTES.  
ENC 0022645

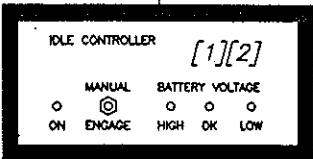
FAST IDLE ACTIVATION

1. PLACE TRANSMISSION IN PARK OR NEUTRAL.
2. SET PARKING BRAKE.
3. DO NOT DEPRESS FOOT BRAKE.

FAST IDLE DEACTIVATION

1. DEPRESS FOOT BRAKE.

70855 [12]

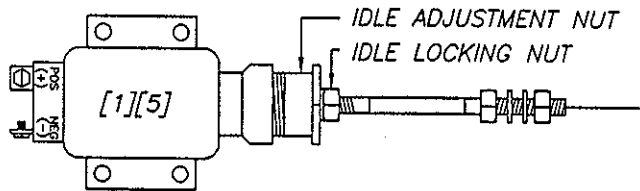


- NOTE
1. [Y] WHERE Y REFERS TO THE B.O.M. ITEM NUMBER.
  2. ALL ELECTRICAL CHASSIS GROUND CONNECTIONS WILL USE STAR WASHERS.
  3. ALL EXTERIOR WIRING CONNECTIONS WILL BE COVERED WITH MASTIC LINED HEAT SHRINK TUBING.
  4. 1st UNIT 59837.
  5. NS - NOT SHOWN ON THIS DRAWING.

NEXT ASSY.: NONE		B	DWR	04/12/86	CORR OPT 7	03304	ELDORADO NATIONAL CO. A THOR INDUSTRIES COMPANY
SUPERCEDES: 0022418		A	JMW	7/24/87	ADDED PAGE 1 INSERTED INT INSTRUCTIONS	02615	TITLE:
DO NOT SCALE DRAWING		-	BJM	1/21/87	RELEASE TO PRODUCTION	02133	SCHEMATIC, PX 6.8 L FAST IDLE #4512000V
MARK PART NUMBER AND REVISION ON ALL PARTS		REV.	BY	DATE	DESCRIPTION	ER NUMBER	MAT'L SPEC.
THIS DRAWING IS THE PROPERTY OF ELDERADO NATIONAL COMPANY, A THOR INDUSTRIES COMPANY AND IS NOT TO BE DUPLICATED OR USED IN ANY WAY DETRIMENTAL TO THEIR BEST INTEREST.		TOLERANCE UNLESS SPECIFIED		DRAWING INFORMATION		SEE B.O.M.	
		FRACTIONS ± 1/16		DRAWING/COUTLAIN		PART NUMBER	
		DECIMALS .00 ± .08		DATE 1/21/87		0023534	
		ANGLES ± 1 DEG.		SCALE 1=1		PAGE	
						1 of 2	






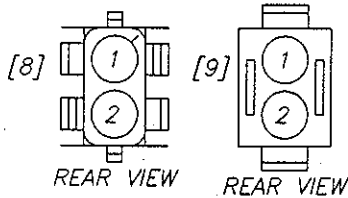
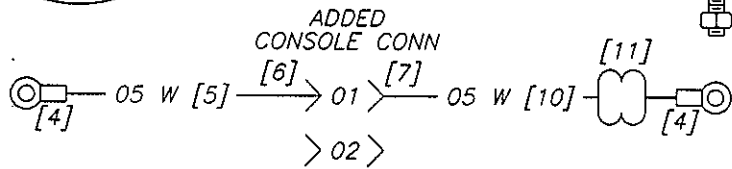
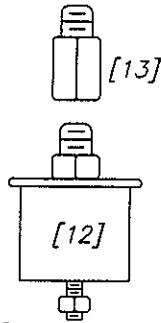
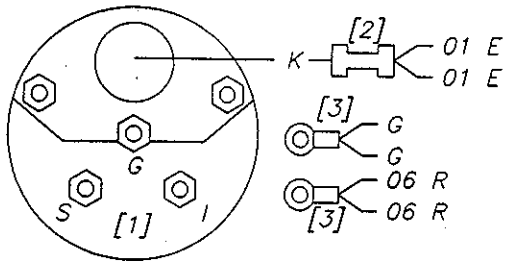
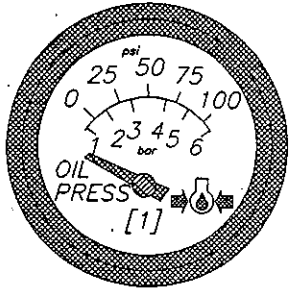


**ADJUSTMENT PROCEDURE:**

1. HOOK UP VOLTAGE TESTER TO POSITIVE AND NEGATIVE BATTERY TERMINALS.
2. START ENGINE AND TURN EVERYTHING IN UNIT ON TO LOAD DOWN THE SYSTEM.
3. TURN IDLE ADJUSTMENT NUT COUNTER CLOCKWISE TILL VOLTAGE MOVES UP ON TESTER TO 14.0 VOLTS.
4. THIS WILL ENSURE EVERY UNIT A PROPER CHARGING CYCLE.
5. TIGHTEN IDLE LOCKING NUT CLOCKWISE WHEN PROPER VOLTAGE IS ACHIEVED.
6. THIS MUST BE DONE ON EVERY UNIT THAT HAS AUTOMATIC PENNTEX FAST IDLE.


ITEM	QTY.	PART NO.	DESCRIPTION
1	1	123521	KIT, 6.8L FAST IDLE
2	REF	123511	CONTROLLER, PX AUTO IDLE
3	REF	123516	HARNESS, PX GAS IDLE CONTROLLER
4	REF	123517	HARNESS, PX RELAY & 15A CIRCUIT BREAKER
5	REF	123525	SOLENOID, 97 PX THROTTLE CBL AND FAST IDLE
6	REF	123516	HARNESS, PX GAS FAST IDLE SOLENOID
7	1	0022645	DECAL, FORD GAS FAST IDLE CAUTION
8	1	63069	FUSE, BLADE 15A
9	REF	123524	HARNESS, PTO RELAY
10	REF	123523	HARNESS, TIMER PARK BRAKE SENSOR
11	1	0022929	HARNESS, FAST IDLE POWER
12	1	70855	DECAL, FAST IDLE ACTIVATION AUTOMATIC
13	1	0023444	ASM, 97 FORD PARK BRAKE SW

NEXT ASSY.: NONE		B	DWR	04/13/98	CORR OPT #	03304	 304 AVENUE B 301 INDUSTRIAL AREA SALINA, KS. 67401  ELDORADO NATIONAL CO. A THOR INDUSTRIES COMPANY	
SUPERCEDES: 0022418		A	JWH	7/24/97	ADDED PAGE 2 INSERTED ADT INSTRUCTIONS	02615		
DO NOT SCALE DRAWING		-	BJM	1/21/97	RELEASE TO PRODUCTION	02133	TITLE: SCHEMATIC, PX 6.8 L FAST IDLE #451200V	
MARK PART NUMBER AND REVISION ON ALL PARTS		REV.	BY	DATE	DESCRIPTION	ER NUMBER	MATL SPEC. SEE B.O.M.	
THIS DRAWING IS THE PROPERTY OF ELDORADO NATIONAL COMPANY, A THOR INDUSTRIES COMPANY AND IS NOT TO BE DUPLICATED OR USED IN ANY WAY DETRIMENTAL TO THEIR BEST INTEREST.		TOLERANCE UNLESS SPECIFIED			DRAWING INFORMATION			
		FRACTIONS ± 1/16 DECIMALS .00 ± .06 ANGLES ± 1 DEG.			DRAWING: GOURLAN DATE: 1/21/97 SCALE: 1=1	CRD: SIZE: B WT:	PART NUMBER <b>0023534</b>	
							PAGE	2 of 2



ITEM	QTY.	PART NO.	DESCRIPTION
1	1	68350	METER, 0-100 PSI OIL (DATCON)
2	1	61800	CONN, BUTT 14-16 AWG INS
3	2	62160	CONN, RING 10-12 AWG X #10 INS
4	2	62320	CONN, RING 14-16 AWG X #10 INS
5	2.00	69745	WIRE, GXL 16 AWG WHITE 05W 1 @ 24.00"
6	1	62764	PIN, 14-18 AWG REEL
7	1	62765	SOCKET, 14-18 AWG REEL
8	1	62773	CAP, 2-CIRCUIT
9	1	62772	PLUG, 2-CIRCUIT
10	12.00	69745	WIRE, GXL 16 AWG WHITE 05W 1 @ 144.00"
11	12.00	69850	FLEXLOOM, 1/4" SLIT 1 @ 144.00"
12	1	63447	SENDER, 0-100 PSI OIL (DATCON)
13	1	45430	FITTING, STL #4 MALE BOSS X 1/8 FPT
14			
15			

- NOTE
- [Y] WHERE Y REFERS TO THE B.O.M. ITEM NUMBER.
  - ALL ELECTRICAL CHASSIS GROUND CONNECTIONS WILL USE STAR WASHERS.
  - ALL EXTERIOR WIRING CONNECTIONS WILL BE COVERED WITH MASTIC LINED HEAT SHRINK TUBING.
  - NS - NOT SHOWN ON DRAWING

NEXT ASSY.: NONE						 304 AVENUE B SO. INDUSTRIAL AREA SALINA, KS. 67401	
SUPERCEDES: NONE							
DO NOT SCALE DRAWING		- DWR 12/22/95	RELEASE TO PRODUCTION	01483	TITLE: SCHEMATIC, '96 DSL OIL PRESSURE METER		
MARK PART NUMBER AND REVISION ON ALL PARTS		REV. BY DATE	DESCRIPTION	ER NUMBER	MATERIAL SPEC. SEE B.O.M.		
THIS DRAWING IS THE PROPERTY OF EL Dorado NATIONAL COMPANY, A THOR INDUSTRIES COMPANY AND IS NOT TO BE DUPLICATED OR USED IN ANY WAY DETRIMENTAL TO THEIR BEST INTEREST.		TOLERANCE UNLESS SPECIFIED		DRAWING INFORMATION		PART NUMBER	
		FRACTIONS ± 1/16 DECIMALS .00 ± .06 ANGLES ± 1 DEG.		DRAWN: REE CKD: DATE: 12/20/95 SIZE: B SCALE: 1=1		0022511	
						PAGE 1 of 1	

ITEM	QTY.	PART NO.	DESCRIPTION
1	1	0017305	LOCATION, FAH TRANS TEMP SENDER
2	6	62320	CONN, RING 14-16 AWG X #10 INS
3	1	61800	CONN, BUTT 14-16 AWG INS
4	20.00	69045	WIRE, GXL 14 AWG WHITE 04W 20.00'
5	1.00	69065	WIRE, GXL 14 AWG RED R 1.00'
6	1.00	69085	WIRE GXL 14 AWG GREEN G 1.00'
7	20.00	69850	FLEXLOOM, 1/4" SLIT 20.00'
8	-	-	-
9	-	-	-
10	-	-	-
11	-	-	-
12	-	-	-
13	-	-	-
14	-	-	-
15	-	-	-

TRANS. TEMP.  
SENDER

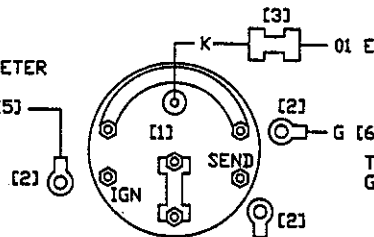


LOCATION:  
BOTTOM & REAR  
OF RADIATOR

[2] 04 W TH SR [4]

[2] TO VOLT METER  
POWER

06 R VT ME PW [5]



[2] TO VOLT METER  
GROUND

[7]

NOTE:  
1. [Y] WHERE Y REFERS TO THE B.O.M. ITEM NUMBER.  
2. ALL ELECTRICAL GROUND CONNECTIONS WILL USE  
STAR WASHERS.

NEXT ASSY.: NONE

SUPERCEDES: NONE

DO NOT SCALE DRAWING

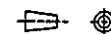
MARK PART NUMBER AND REVISION ON ALL PARTS

THIS DRAWING IS THE PROPERTY OF ELDERADO  
NATIONAL COMPANY, A THOR INDUSTRIES COMPANY  
AND IS NOT TO BE DUPLICATED OR USED IN ANY  
WAY DETRIMENTAL TO THEIR BEST INTEREST.

REV.	BY	DATE	DESCRIPTION	ER NUMBER
A	DWR	03/02/83	CHG TO B SIZE DWG	00194
-	DWR	01/20/82	RELEASE TO PRODUCTION	

TOLERANCE UNLESS SPECIFIED

FRACTIONS ± 1/16  
DECIMALS 00 ± .06  
ANGLES ± 1 DEG.



THIRD ANGLE

**ENC**

304 AVENUE B  
SO. INDUSTRIAL AREA  
SALINA, KS. 67401

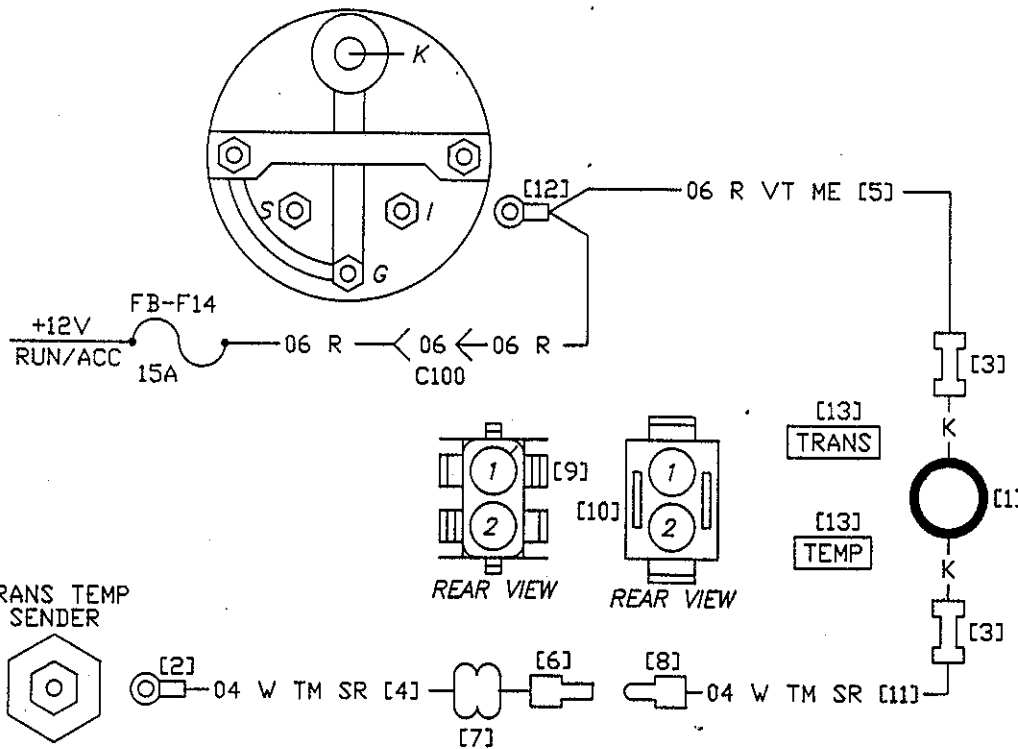
ELDERADO NATIONAL CO., A THOR INDUSTRIES COMPANY

TITLE:  
SCHEMATIC, FAH TRANS  
TEMP CKT #2343

NAT'L SPEC.  
SEE B.O.M.

DRAWN: E.E.D. CKD:  
DATE: 01/20/82 SIZE: B  
SCALE: 1=1 WT:

PART NUMBER  
0017306



ITEM	QTY.	PART NO.	DESCRIPTION
1	1	65316	LIGHT, RED INDICATOR
2	1	62320	CONN, RING 14-16 AWG X #10 INS
3	2	61800	CONN, BUTT 14-16 AWG INS
4	10.50	69045	WIRE, GXL 14 AWG WHITE 04W 1 @ 126.00"
5	1.50	69065	WIRE, GXL 14 AWG RED 06R 1 @ 18.00"
6	1	62765	SOCKET, 14-18 AWG REEL
7	10.50	69850	FLEXLOOM, 1/4" SLIT 1 @ 126.00"
8	1	62764	PIN, 14-18 AWG REEL
9	1	62773	CAP, 2-CIRCUIT
10	1	62774	PLUG, 2-CIRCUIT
11	1.50	69045	WIRE, GXL 14 AWG WHITE 04W 1 @ 18.00"
12	1	62160	CONN, RING 10-12 AWG X #10 INS
13	1	70823	DECAL, TRANS TEMP
14			
15			

- NOTE
- [Y] WHERE Y REFERS TO THE B.O.M. ITEM NUMBER.
  - ALL ELECTRICAL CHASSIS GROUND CONNECTIONS WILL USE STAR WASHERS.
  - ALL EXTERIOR WIRING CONNECTIONS WILL BE COVERED WITH MASTIC LINED HEAT SHRINK TUBING.

NEXT ASSY.: NONE  
 SUPERCEDES: NONE  
 DO NOT SCALE DRAWING  
 MARK PART NUMBER AND REVISION ON ALL PARTS

REV.	BY	DATE	DESCRIPTION	DR NUMBER
-	DWR	06/19/95	RELEASE TO PRODUCTION	01285

THIS DRAWING IS THE PROPERTY OF ELDORADO NATIONAL COMPANY, A THOR INDUSTRIES COMPANY AND IS NOT TO BE DUPLICATED OR USED IN ANY WAY DETRIMENTAL TO THEIR BEST INTEREST.

TOLERANCE UNLESS SPECIFIED  
 FRACTIONS ± 1/16  
 DECIMALS .00 ± .06  
 ANGLES ± 1 DEG.

DRAWING INFORMATION  
 DRAWN: REED  
 DATE: 06/19/95  
 SCALE: NTS

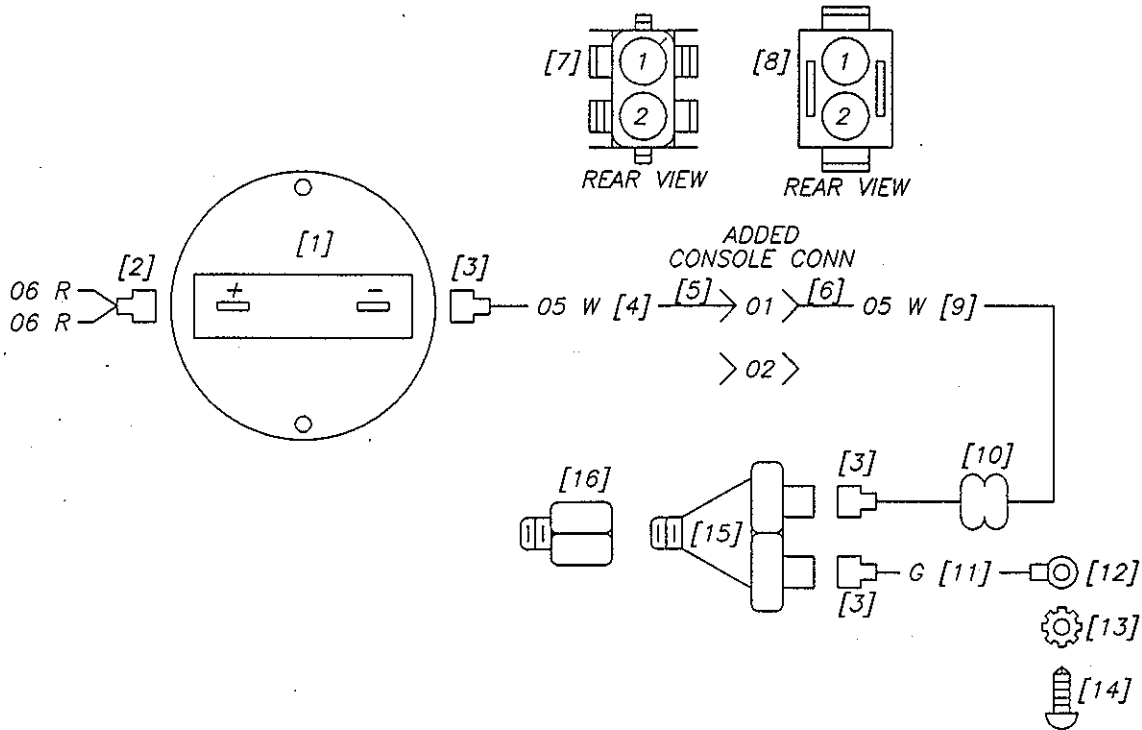
ER NUMBER  
 MATL SPEC.  
 SEE B.O.M.

PART NUMBER  
 0022252

PAGE  
 1 of 1

**ENC**  
 304 AVENUE B  
 50 INDUSTRIAL AREA  
 SALINA, KS. 67401  
 ELDORADO NATIONAL CO. A THOR INDUSTRIES COMPANY

TITLE:  
 SCHEMATIC, TRANS HI-TEMP  
 WARNING LIGHT



NS  
NS

ITEM	QTY.	PART NO.	DESCRIPTION
1	1	68302	METER, HOUR
2	1	62042	CONN, FEM PUSH-ON 10-12 AWG ENC
3	3	62041	CONN, FEM PUSH-ON 14-16 AWG ENC
4	2.00	69745	WIRE, GXL 16 AWG WHITE 05W 1 @ 24.00"
5	1	62764	PIN, 14-18 AWG REEL
6	1	62765	SOCKET, 14-18 AWG REEL
7	1	62773	CAP, 2-CIRCUIT
8	1	62772	PLUG, 2-CIRCUIT
9	12.00	69745	WIRE, GXL 16 AWG WHITE 05W 1 @ 144.00"
10	12.00	69850	FLEXLOOM, 1/4" SLIT 1 @ 144.00"
11	1.00	69785	WIRE, GXL 16 AWG GREEN G 1 @ 12.00"
12	1	62320	CONN, RING 14-16 AWG X #10 INS
13	1	0001305	WASHER, #8 EXT STAR
14	1	116920	SCREW, TEK #8 X 1/2" PH PHIL PLTD
15	1	0016941	SENDER, OIL PRESSURE CLOSES @ 4-7 PSI
16	1	45430	FITTING, STL #4 MALE BOSS X 1/8 FPT
17			

NOTE

- [Y] WHERE Y REFERS TO THE B.O.M. ITEM NUMBER.
- ALL ELECTRICAL CHASSIS GROUND CONNECTIONS WILL USE STAR WASHERS.
- ALL EXTERIOR WIRING CONNECTIONS WILL BE COVERED WITH MASTIC LINED HEAT SHRINK TUBING.
- NS - NOT SHOWN ON DRAWING.

NEXT ASSY.: NONE  
 SUPERCEDES: NONE  
 DO NOT SCALE DRAWING - DWR 12/22/95 RELEASE TO PRODUCTION 01483  
 MARK PART NUMBER AND REVISION ON ALL PARTS  
 THIS DRAWING IS THE PROPERTY OF ELDERADO NATIONAL COMPANY, A THOR INDUSTRIES COMPANY AND IS NOT TO BE DUPLICATED OR USED IN ANY WAY DETRIMENTAL TO THEIR BEST INTEREST.

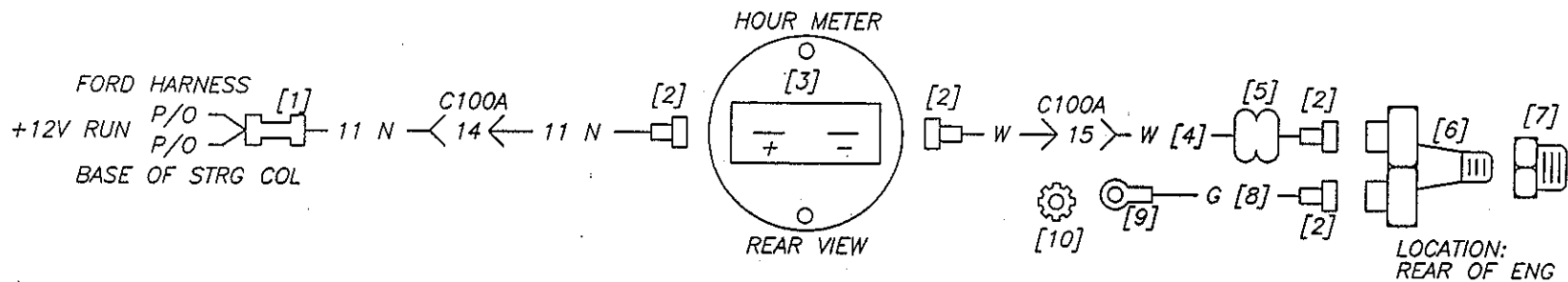
TOLERANCE UNLESS SPECIFIED	DRAWING INFORMATION	
FRACTIONS ± 1/16	DATE: 12/21/95	SCALE: 1=1
DECIMALS .00 ± .05	SIZE: B	WT.:
ANGLES ± 1 DEG.		



304 AVENUE B  
 501 INDUSTRIAL AREA  
 SALINA, KS. 67401

ELDERADO NATIONAL CO. A THOR INDUSTRIES COMPANY  
 TITLE:  
 SCHEMATIC, '96 DSL HOUR METER  
 MAT'L SPEC.  
 SEE B.O.M.  
 PART NUMBER  
 0022512  
 PAGE  
 1 of 1

ITEM	QTY.	PART NO.	DESCRIPTION
1	1	61800	CONN, BUTT 14-16 AWG INS
2	4	62041	CONN, FEM 14-16 AWG PUSHON ENC REEL
3	1	68302	METER, HOUR
4	10.00	69745	WIRE, GXL 16 AWG WHITE W 1 @ 120.00"
5	10.00	69850	FLEXLOOM, 1/4 SLIT 1 @ 120.00"
6	1	0016941	SENDER, OIL PRESSURE CLOSERS @ 4-7 LBS
7	1	01050010	FITTING, BRASS BUSHING 3/8 MPT X 1/8 FPT
8	1.00	69785	WIRE, GXL 16 AWG GREEN G 1 @ 12.00"
9	1	62283	CONN, RING 14-16 AWG X 5/16 INS
10	1	119046	WASHER, 5/16 EXT STAR
11			



**NOTE**

- [Y] WHERE Y REFERS TO THE B.O.M. ITEM NUMBER.
- ALL ELECTRICAL CHASSIS GROUND CONNECTIONS WILL USE STAR WASHERS.
- ALL EXTERIOR WIRING CONNECTIONS WILL BE COVERED WITH MASTIC LINED HEAT SHRINK TUBING.

NEXT ASSY.: NONE

SUPERCEDES: 0017342

DO NOT SCALE DRAWING

MARK PART NUMBER AND REVISION ON ALL PARTS

THIS DRAWING IS THE PROPERTY OF ELDERADO NATIONAL COMPANY, A THOR INDUSTRIES COMPANY AND IS NOT TO BE DUPLICATED OR USED IN ANY WAY DETRIMENTAL TO THEIR BEST INTEREST.

TOLERANCE UNLESS SPECIFIED

FRACTIONS ± 1/16  
DECIMALS .00 ± .08  
ANGLES ± 1 DEG.

DRAWING INFORMATION

DATE: 10/28/96  
SCALE: 1=1

MAT'L SPEC.

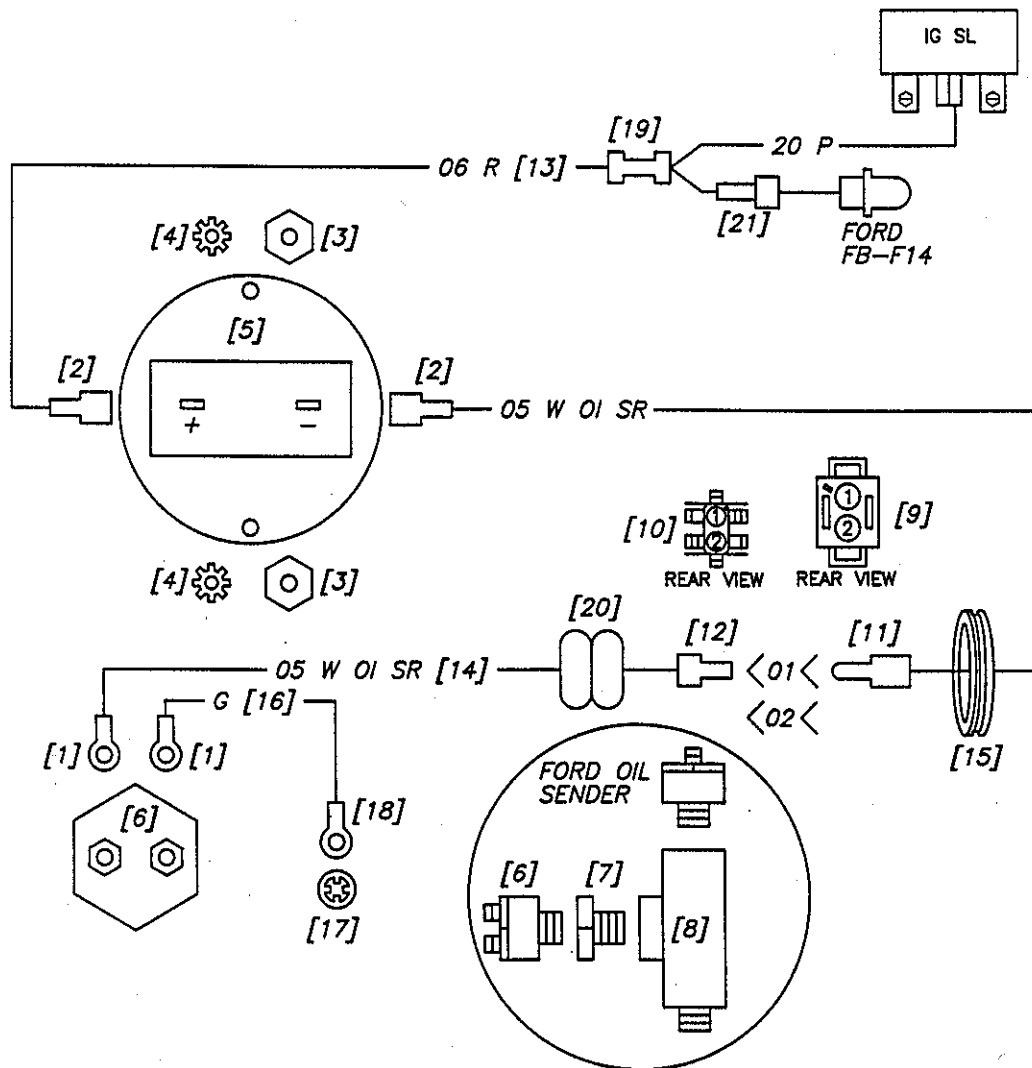
SEE B.O.M.  
PART NUMBER  
0023218



304 AVENUE B  
SO. INDUSTRIAL AREA  
SALINA, KS 67401

ELDERADO NATIONAL CO. A THOR INDUSTRIES COMPANY

TITLE:  
SCHEMATIC, 97 AT/AL 6.8L  
HOURMETER #4505



ITEM	QTY.	PART NO.	DESCRIPTION
1	2	62320	CONN, RING 14-16 AWG X #10 INS
2	2	61960	CONN, FEM PUSHON 14-16 AWG ENC
3	REF	113400	NUT, #8-32 HEX PLTD
4	REF	0001305	WASHER, #8 EXT STAR
5	1	68302	HOUR, METER
6	1	0016941	SENDER, OIL PRESSURE CLOSERS 4-7 PSI
7	1	121410	BUSHING, BRASS 1/4" MPT X 1/8" FPT
8	1	46382	TEE, BRASS 1/4" MPT X 1/4" FPT X 1/4" FPT
9	1	62772	PLUG, 2-CIRCUIT
10	1	62773	CAP, 2-CIRCUIT
11	1	62762	PIN, 14-18 AWG LOOSE
12	1	62763	SOCKET, 14-18 AWG LOOSE
13	1.00	69065	WIRE, GXL 14 AWG RED 06R 1.00'
14	10.00	69045	WIRE, GXL 14 AWG WHITE 05W 10.00'
15	1	50021	GROMMET, 1/4" ID X 5/8" OD
16	1.00	69085	WIRE, GXL 14 AWG GREEN G 1.00'
17	1	119042	WASHER, 1/4" INT STAR
18	1	62283	CONN, RING 14-16 AWG X 5/16" INS
19	1	61680	CONN, BUTT 10-12 AWG INS
20	12.00	69850	FLEXLOOM, 1/4" SLIT 12.00'
21	REF	63061	FUSE, 20A AGC
22	-	-	-
23	-	-	-
24	-	-	-
25	-	-	-

- NOTE:
- [Y] WHERE Y REFERS TO THE B.O.M. ITEM NUMBER.
  - ALL ELECTRICAL CHASSIS GROUND CONNECTIONS WILL USE STAR WASHERS.
  - FB - FUSE BLOCK

NEXT ASSY.: NONE  
 SUPERCEDES: NONE  
 DO NOT SCALE DRAWING  
 MARK PART NUMBER AND REVISION ON ALL PARTS

THIS DRAWING IS THE PROPERTY OF ELDORADO NATIONAL COMPANY, A THOR INDUSTRIES COMPANY AND IS NOT TO BE DUPLICATED OR USED IN ANY WAY DETRIMENTAL TO THEIR BEST INTEREST.

REV.	BY	DATE	DESCRIPTION	ER NUMBER
B	DWR	01/18/82	CHG B.O.M. #13 R22 to 06R	00285
A	DWR	03/15/82	CHG B.O.M. #17	00201
-	DWR	01/31/82	RELEASE TO PRODUCTION	-

TOLERANCE UNLESS SPECIFIED

FRACTIONS ± 1/16  
 DECIMALS .00 ± .06  
 ANGLES ± 1 DEG

THIRD ANGLE

**ENG**

304 AVENUE B  
 S.C. INDUSTRIAL AREA  
 SALINA, KS. 67401

ELDORADO NATIONAL CO. A THOR INDUSTRIES COMPANY

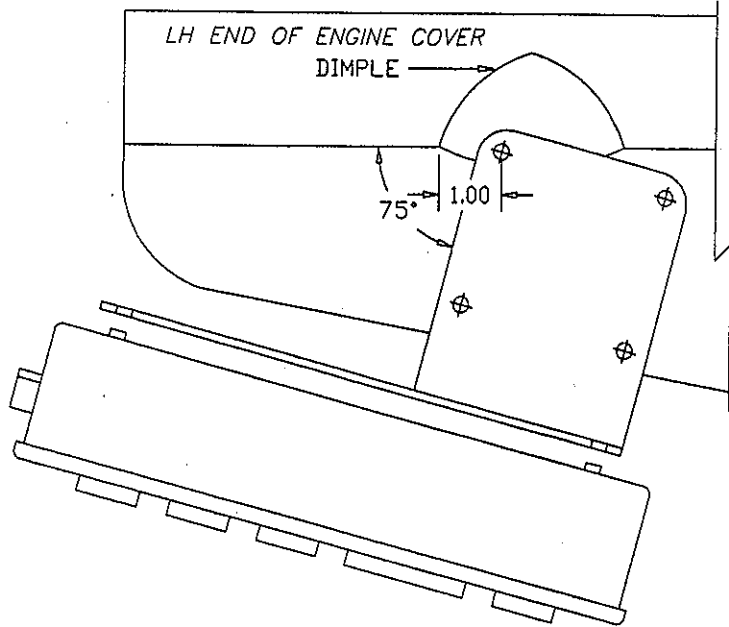
TITLE:  
 SCHEMATIC, FAH  
 HOURMETER #4505

MAT'L SPEC.  
 SEE B.O.M.

DRAWN: REED  
 DATE: 01/31/82  
 SCALE: 1=1

CHKD:  
 SIZE: B  
 WT: 0017342

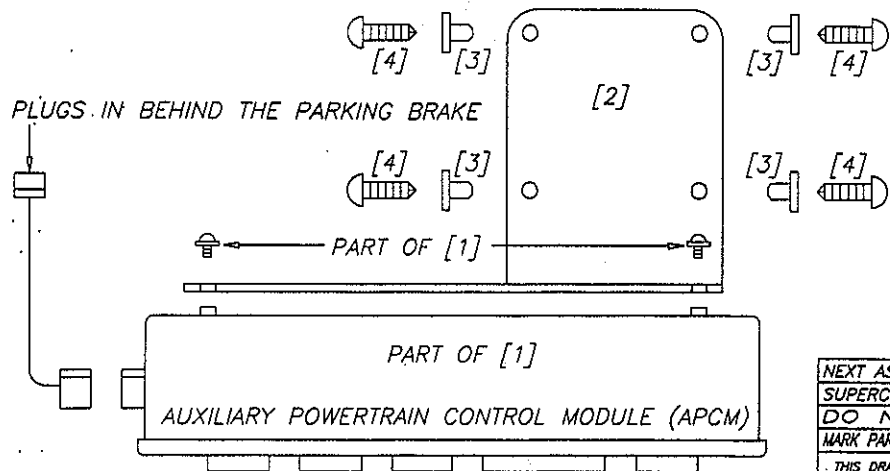
PART NUMBER



ITEM	QTY.	PART NO.	DESCRIPTION
1	1	123529	KIT, APC E-SERIES
2	1	0022099	BRACKET, 95 FORD DSL FAST IDLE
3	4	0020946	GROMMET, SCREW #8
4	4	116160	SCREW, SMS #8 X 3/4 PH PHIL
5			

**NOTE**

1. [Y] WHERE Y REFERS TO THE B.O.M. ITEM NUMBER.
2. ALL ELECTRICAL CHASSIS GROUND CONNECTIONS WILL USE STAR WASHERS.
3. ALL EXTERIOR WIRING CONNECTIONS WILL BE COVERED WITH MASTIC LINED HEAT SHRINK TUBING.
4. APCM, HARNESS, AND 4 APCM MOUNTING SCREWS WEIGH 1.256 LBS.



NEXT ASSY.: NONE

SUPERCEDES: 0022101

DO NOT SCALE DRAWING

MARK PART NUMBER AND REVISION ON ALL PARTS

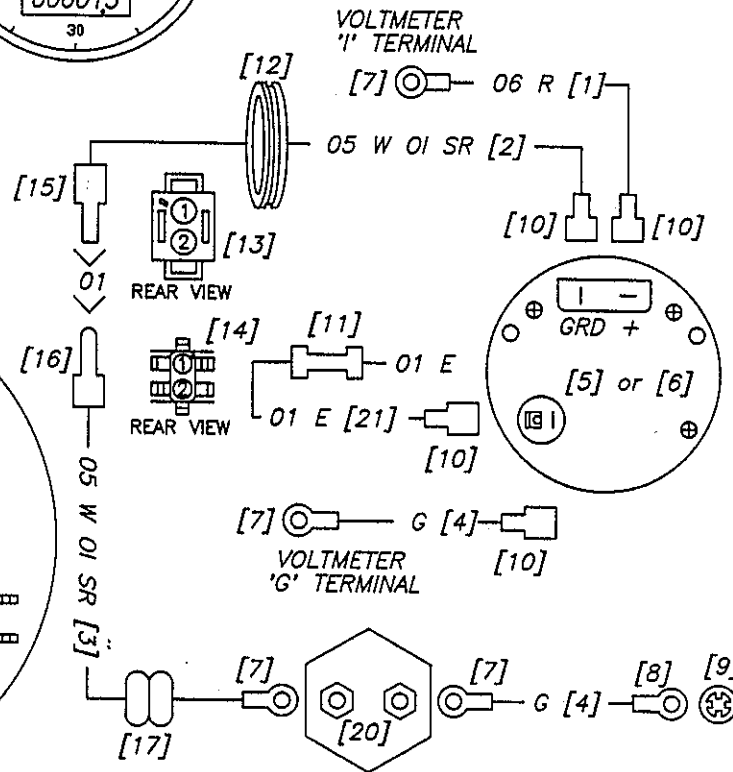
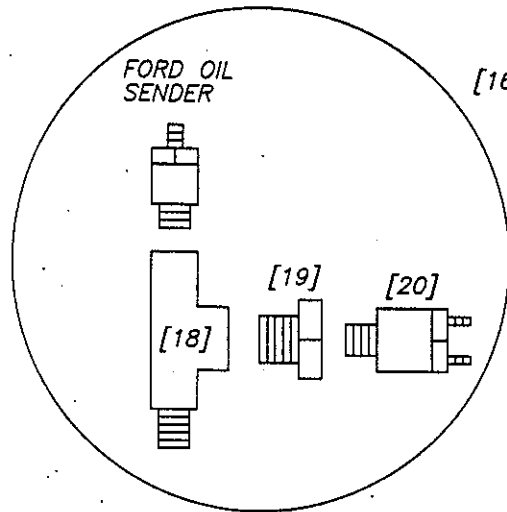
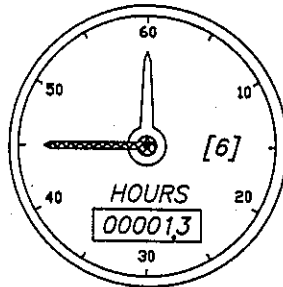
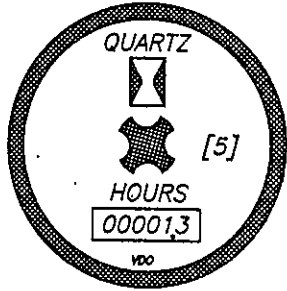
THIS DRAWING IS THE PROPERTY OF ELDORADO NATIONAL COMPANY, A THOR INDUSTRIES COMPANY AND IS NOT TO BE DUPLICATED OR USED IN ANY WAY DETRIMENTAL TO THEIR BEST INTEREST.

REV.	BY	DATE	DESCRIPTION	EN NUMBER
A	BAN	5/8/98	CHG. ITEM #1 FROM REF. TO 1	03383
-	DWR	04/13/98	RELEASE TO PRODUCTION	03327

		304 AVENUE B SO. INDUSTRIAL AREA SALINA, KS. 67401
ELDORADO NATIONAL CO. A THOR INDUSTRIES COMPANY		
TITLE: LOCATION & INSTALL, 97 FORD DSL FAST IDLE MODULE #4530		PART NUMBER <b>0024616</b>
TOLERANCE UNLESS SPECIFIED FRACTIONS ± 1/16 DECIMALS .00 ± .08 ANGLES ± 1 DEG.		DRAWING INFORMATION DRAWN/RECD/CRD: DATE: 04/13/98 SIZE: B SCALE: 1=1 WT: 1.742 LB
MAT'L SPEC. SEE B.O.M.		PAGE <b>1 of 1</b>





ITEM	QTY.	PART NO.	DESCRIPTION
1	1.00	69065	WIRE, GXL 14 AWG RED 06R 1.00'
2	2.00	69045	WIRE, GXL 14 AWG WHITE 05W 2.00'
3	10.00	69045	WIRE, GXL 14 AWG WHITE 05W 10.00'
4	2.00	69085	WIRE, GXL 14 AWG GREEN G 1.00'
5	1	63404	HOURLMETER, LIGHTED (VDO)
6	REF	63403	HOURLMETER, BACKLIGHT
7	4	62320	CONN, RING 14-16 AWG X #10 INS
8	1	62283	CONN, RING 14-16 AWG X 5/16" INS
9	1	119042	WASHER, 1/4" INT STAR
10	4	61960	CONN, FEM PUSHON 14-16 AWG ENC
11	1	61680	CONN, BUTT 10-12 AWG INS
12	1	50021	GROMMET, 1/4" ID X 5/8" OD
13	1	62772	PLUG, 2-CIRCUIT
14	1	62773	CAP, 2-CIRCUIT
15	1	62763	SOCKET, 14-18 AWG LOOSE
16	1	62762	PIN, 14-18 AWG LOOSE
17	10.00	69850	FLEXLOOM, 1/4" SLIT 10.00'
18	1	46382	TEE, BRASS 1/4" MP X 1/4" FP X 1/4" FP
19	1	121410	BUSHING, BRASS 1/4" MP X 1/8" FP
20	1	0016941	SENDER, OIL PRESSURE CLOSURE @ 4 - 7 PSI
21	1.00	69735	WIRE, GXL 16 AWG GRAY 01E 1.00'
22	-	-	-
23	-	-	-
24	-	-	-
25	-	-	-

NOTE:  
 1. [Y] WHERE Y REFERS TO THE B.O.M. ITEM NUMBER.  
 2. ALL ELECTRICAL GROUND CONNECTIONS WILL USE STAR WASHERS.

NEXT ASSY.: NONE  
 SUPERCEDES: NONE  
 DO NOT SCALE DRAWING  
 MARK PART NUMBER AND REVISION ON ALL PARTS

REV.	BY	DATE	DESCRIPTION	ER NUMBER

**ENC**  
 304 AVENUE B  
 SO. INDUSTRIAL AREA  
 SALINA, KS. 67401

ELDORADO NATIONAL CO. A THOR INDUSTRIES COMPANY

TITLE:  
 SCHEMATIC, BACKLIGHT HOURLMETER

MAT'L SPEC.  
 SEE B.O.M.

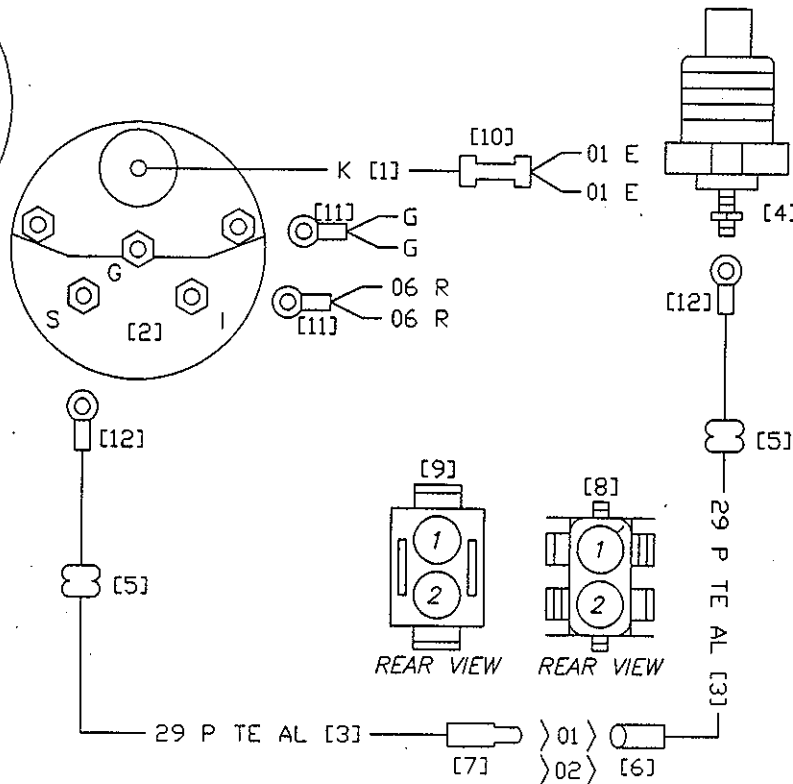
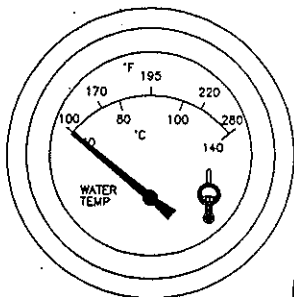
DRAWN: FRED CKD.:  
 DATE: 03/19/93 SIZE: B PART NUMBER  
 SCALE: 1=4 WT.: 0020351

THIS DRAWING IS THE PROPERTY OF ELDORADO NATIONAL COMPANY, A THOR INDUSTRIES COMPANY AND IS NOT TO BE DUPLICATED OR USED IN ANY WAY DETRIMENTAL TO THEIR BEST INTEREST.

TOLERANCE UNLESS SPECIFIED

FRACTIONS	± 1/16
DECIMALS	.00 ± .06
ANGLES	± 1 DEG.

THIRD ANGLE



ITEM	QTY.	PART NO.	DESCRIPTION
1	1	68306	LIGHT, KIT
2	1	68351	GAUGE, COOLANT TEMP 100-280 °F (DATCON)
3	12.00	69075	WIRE, GXL 14 AWG PURPLE 29P 2 @ 72.00"
4	1	63448	SENDER, COOLANT TEMP 100-280 °F (DATCON)
5	12.00	69850	FLEXLOOM, 1/4" SLIT 2 @ 72.00"
6	1	62765	SOCKET, 14-18 AWG REEL
7	1	62764	PIN, 14-18 AWG REEL
8	1	62773	CAP, 2-CIRCUIT
9	1	62772	PLUG, 2-CIRCUIT
10	1	61680	CONN, BUTT 10-12 AWG INS
11	2	62160	CONN, RING 10-12 AWG X #10 INS
12	2	62320	CONN, RING 14-16 AWG X #10 INS
13			
14			
15			

- NOTE
1. [Y] WHERE Y REFERS TO THE B.O.M. ITEM NUMBER.
  2. ALL ELECTRICAL CHASSIS GROUND CONNECTIONS WILL USE STAR WASHERS.
  3. ALL EXTERIOR WIRING CONNECTIONS WILL BE COVERED WITH MASTIC LINED HEAT SHRINK TUBING.

NEXT ASSY.: NONE  
 SUPERCEDES: 0020019  
 DO NOT SCALE DRAWING  
 MARK PART NUMBER AND REVISION ON ALL PARTS  
 THIS DRAWING IS THE PROPERTY OF ELDERADO NATIONAL COMPANY, A THOR INDUSTRIES COMPANY AND IS NOT TO BE DUPLICATED OR USED IN ANY WAY DETRIMENTAL TO THEIR BEST INTEREST.

REV.	BY	DATE	DESCRIPTION	ER NUMBER
-	DWR	01/04/96	RELEASE TO PRODUCTION	01502

TOLERANCE UNLESS SPECIFIED	DRAWING INFORMATION
FRACTIONS ± 1/16 DECIMALS .00 ± .06 ANGLES ± 1 DEG.	DRAWN: FREE E CKD: DATE: 01/03/96 SIZE: B SCALE: 1=4 WT.:

**ENC**  
 304 AVENUE B  
 SO. INDUSTRIAL AREA  
 SALINA, KS. 67401  
 ELDERADO NATIONAL CO. A THOR INDUSTRIES COMPANY  
 TITLE:  
 SCHEMATIC, DSL ENGINE  
 TEMPERATURE GAUGE  
 MATL. SPEC.  
 SEE B.O.M.  
 PART NUMBER  
 0022531  
 PAGE  
 1 OF 1