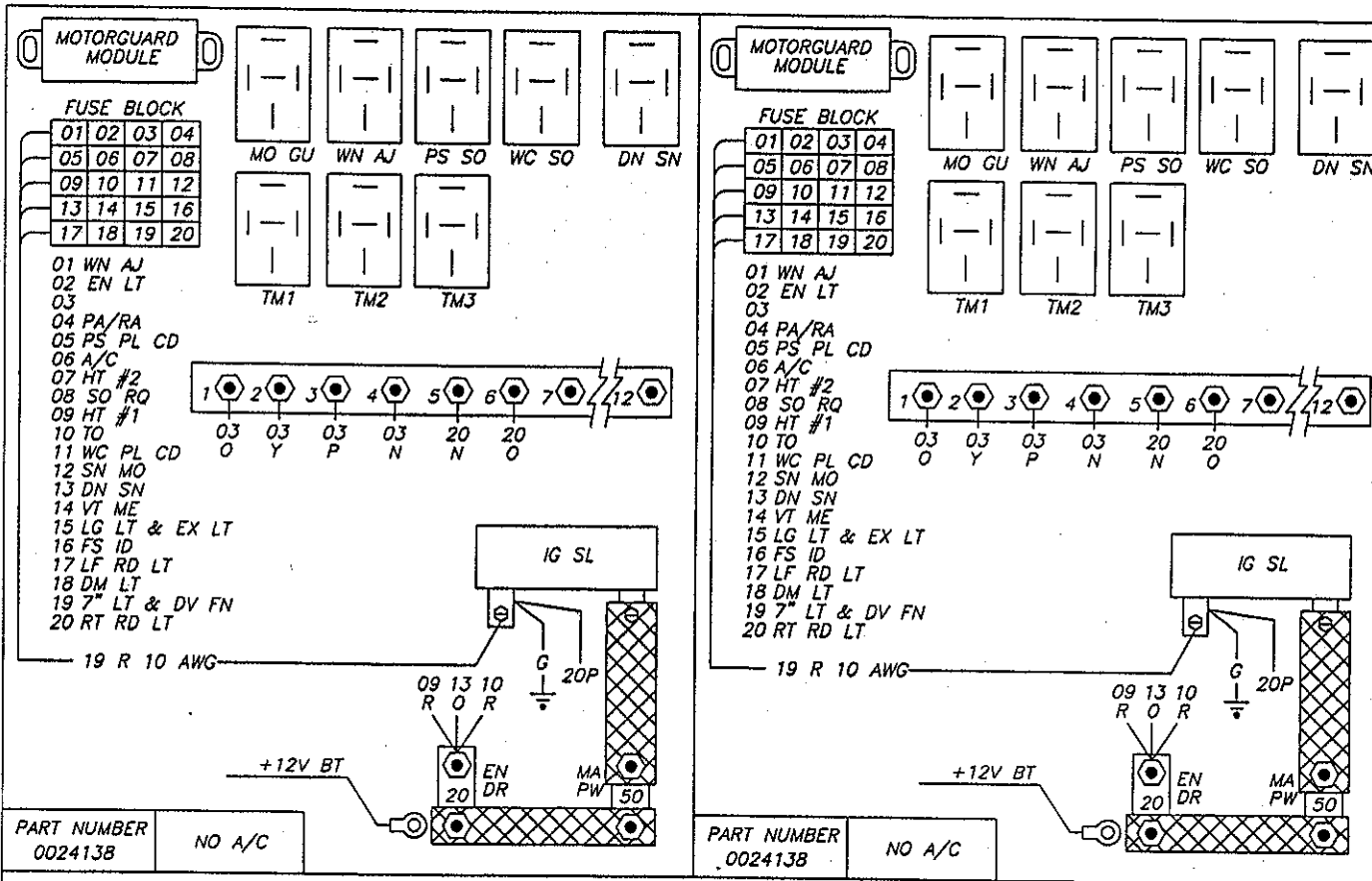


SECTION 3 - ELECTRICAL CENTER

0024138	DECAL, '98 AT/AL ELEC CTR NO A/C
0024141	DECAL, '98 AT/AL ELEC CTR CAC 340 A/C
0024139	DECAL, '98 AT/AL ELEC CTR CAC TIE-IN A/C
0024140	DECAL, '98 AT/AL ELEC CTR CAC MAX A/C
0024151	DECAL, '98 AT/AL ELEC CTR CAC 862 A/C
0024154	DECAL, '98 AT/AL ELEC CTR CAC 9623 A/C
0024163	DECAL, '98 AT/AL ELEC CTR TA 700 TIE-IN A/C
0024159	DECAL, '98 AT/AL ELEC CTR TA TIE-IN A/C
0024162	DECAL, '98 AT/AL ELEC CTR TA A/C SUPER
0024158	DECAL, '98 AT/AL ELEC CTR TA 774/776 A/C
0020073	PANEL, TOGGLE SWITCHES
0023112	PANEL, '97 AT/AL FRONT & REAR VIEW TOGGLE SWITCH
0019289	PANEL, VERT ROCKER SWITCHES
0019304	PANEL, REAR ROCKER SWITCHES



NOTE:
 1. CUTOUT DRAWING ON SOLID PERIMETER LINES.
 2. USE 3M #76 SPRAY ADHESIVE TO BOND THIS LAMINATED CUTOUT TO THE INTERIOR OF THE ELECTRICAL PANEL.

NEXT ASSY.: NONE

SUPERCEDES: 0023172

DO NOT SCALE DRAWING

MARK PART NUMBER AND REVISION ON ALL PARTS

THIS DRAWING IS THE PROPERTY OF ELDORADO NATIONAL COMPANY, A THOR INDUSTRIES COMPANY AND IS NOT TO BE DUPLICATED OR USED IN ANY WAY DETRIMENTAL TO THEIR BEST INTEREST.

REV.	BY	DATE	DESCRIPTION	ER NUMBER
A	BJM	10/17/92	REVISE WIRE COLOR ON TERM. BLOCK	02871
-	BJM	10/02/91	RELEASE TO PRODUCTION	02818
TOLERANCE UNLESS SPECIFIED				
FRACTIONS ± 1/16		DRAWING INFORMATION		
DECIMALS .00 ± .08		DATE 10/02/92	CHKD:	
ANGLES ± 1 DEG.		SCALE: 1=1	WT: 0.001 LB	



304 AVENUE B
 50 INDUSTRIAL AREA
 SALINA, KS. 67401

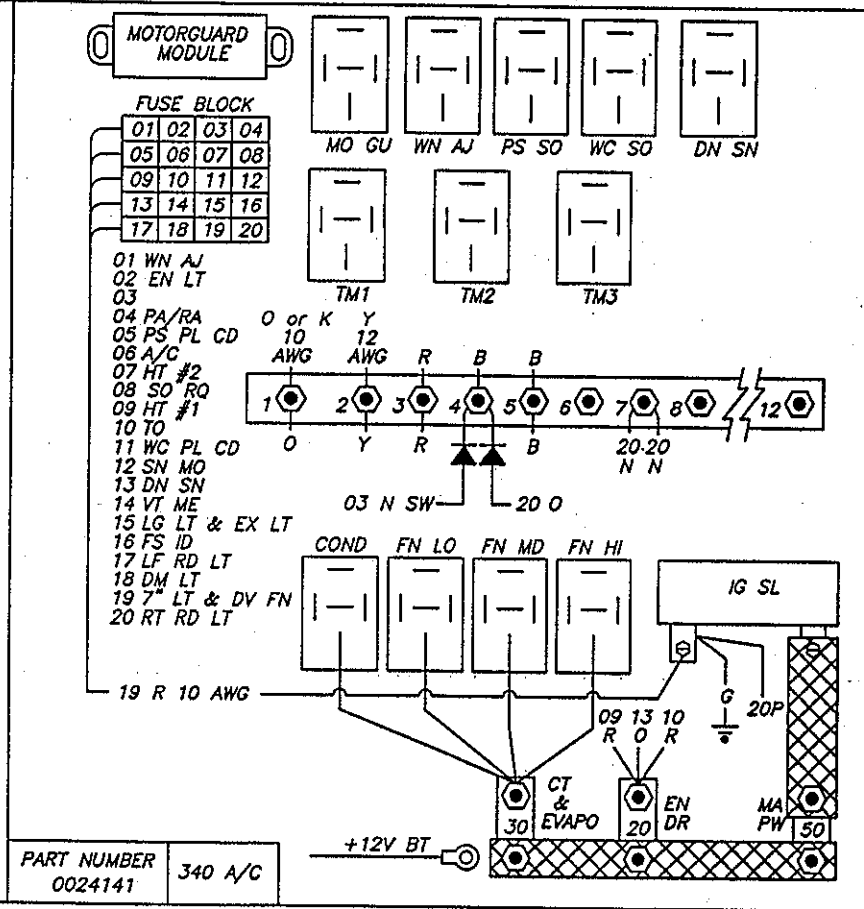
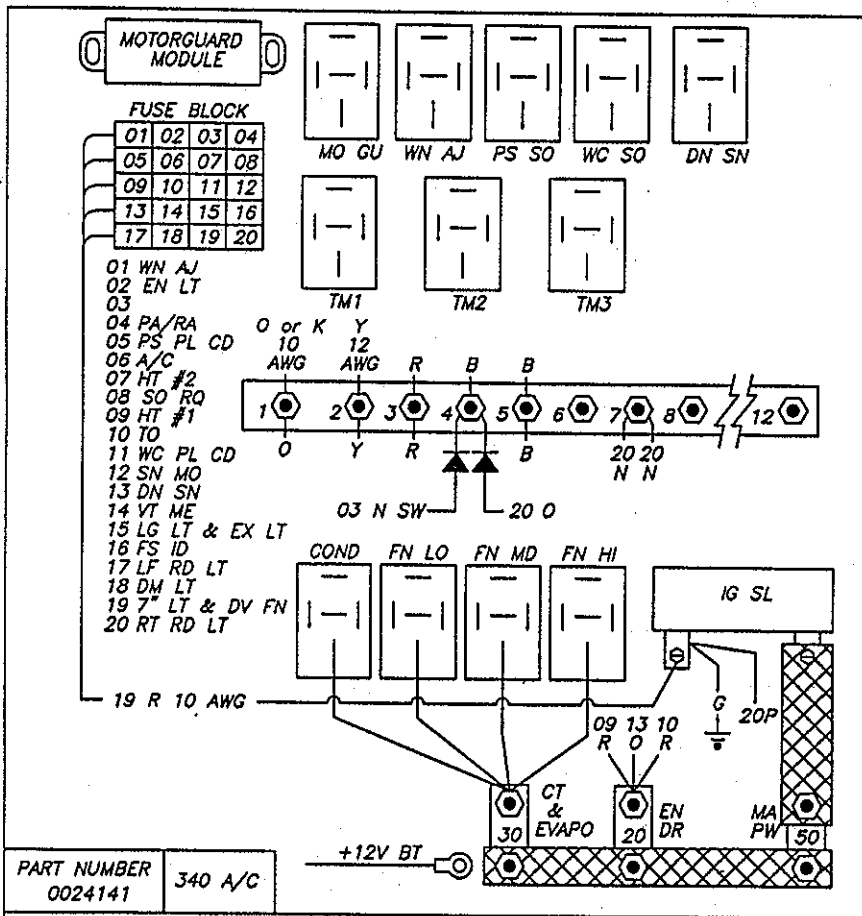
ELDORADO NATIONAL CO. A THOR INDUSTRIES COMPANY

TITLE:
 DECAL, 98 AT/AL ELEC CTR NO A/C

MAT'L SPEC.
 LAMINATE

PART NUMBER
 0024138

PAGE
 1 of 1



NOTE:
 1. CUTOUT DRAWING ON SOLID PERIMETER LINES.
 2. USE 3M #76 SPRAY ADHESIVE TO BOND THIS LAMINATED CUTOUT TO THE INTERIOR OF THE ELECTRICAL PANEL.

NEXT ASSY.: NONE
 SUPERCEDES: 0023171
 DO NOT SCALE DRAWING
 MARK PART NUMBER AND REVISION ON ALL PARTS

THIS DRAWING IS THE PROPERTY OF ELDERORDO NATIONAL COMPANY, A THOR INDUSTRIES COMPANY AND IS NOT TO BE DUPLICATED OR USED IN ANY WAY DETRIMENTAL TO THEIR BEST INTEREST.

REV. BY	DATE	DESCRIPTION	ER NUMBER
BJM	10/2/97	RELEASE TO PRODUCTION	02818
TOLERANCE UNLESS SPECIFIED		DRAWING INFORMATION	
FRACTIONS ± 1/16		DRAWN/MCQUILLAN	CHK:
DECIMALS .00 ± .06		DATE: 10/2/97	SIZE: B
ANGLES ± 1 DEG.		SCALE: 1=1	WT: 0.001 LB

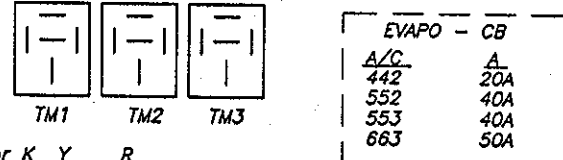
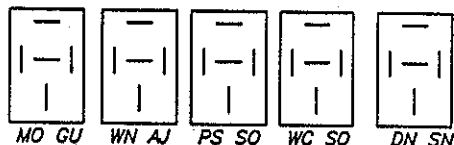
		304 AVENUE B 501 INDUSTRIAL AREA SALINA, KS. 67401	
		ELDERORDO NATIONAL CO. A THOR INDUSTRIES COMPANY	
TITLE:		340 A/C	
ER NUMBER:		0024141	
MATERIAL SPECIFICATION:		LAMINATE	
PART NUMBER:		0024141	
PAGE:		1 of 1	

MOTORGUARD
MODULE

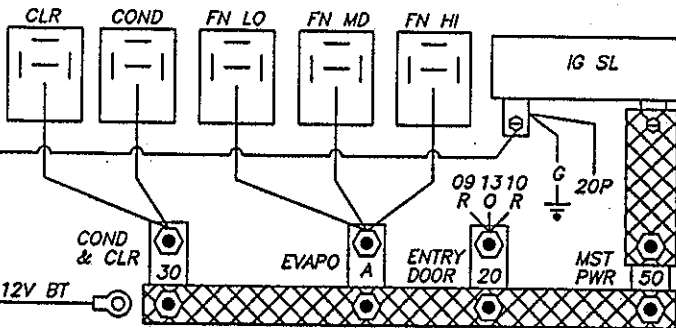
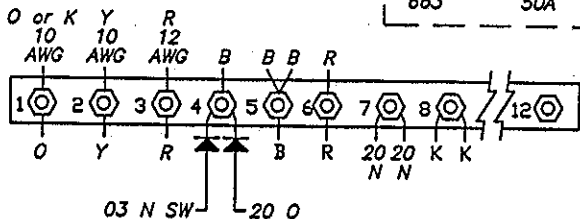
FUSE BLOCK

01	02	03	04
05	06	07	08
09	10	11	12
13	14	15	16
17	18	19	20

- 01 WN AJ
- 02 EN LT
- 03
- 04 PA/RA
- 05 PS PL CD
- 06 A/C
- 07 HT #2
- 08 SO RQ
- 09 HT #1
- 10 TO
- 11 WC PL CD
- 12 SN MO
- 13 DN SN
- 14 VT ME
- 15 LG LT & EX LT
- 16 FS ID
- 17 LF RD LT
- 18 DM LT
- 19 7" LT & DV FN
- 20 RT RD LT



EVAPO - CB	
A/C	A
442	20A
552	40A
553	40A
663	50A



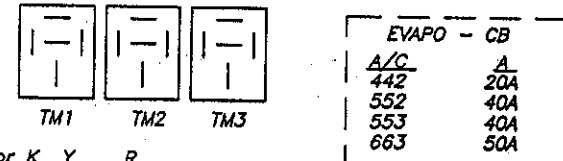
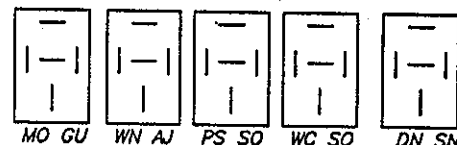
PART NUMBER	0024139
442, 552	
553, 663	
A/C	

MOTORGUARD
MODULE

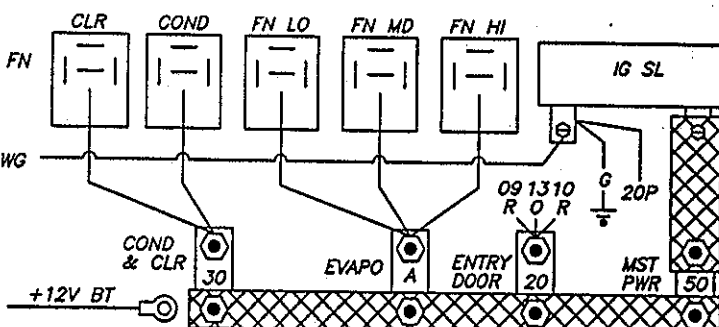
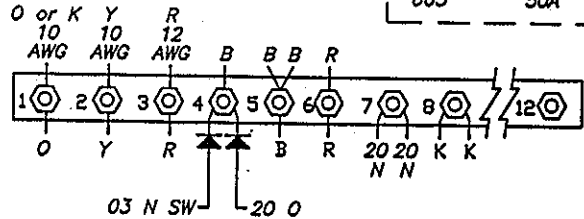
FUSE BLOCK

01	02	03	04
05	06	07	08
09	10	11	12
13	14	15	16
17	18	19	20

- 01 WN AJ
- 02 EN LT
- 03
- 04 PA/RA
- 05 PS PL CD
- 06 A/C
- 07 HT #2
- 08 SO RQ
- 09 HT #1
- 10 TO
- 11 WC PL CD
- 12 SN MO
- 13 DN SN
- 14 VT ME
- 15 LG LT & EX LT
- 16 FS ID
- 17 LF RD LT
- 18 DM LT
- 19 7" LT & DV FN
- 20 RT RD LT



EVAPO - CB	
A/C	A
442	20A
552	40A
553	40A
663	50A



PART NUMBER	0024139
442, 552	
553, 663	
A/C	

NOTE:
1. CUT OUT DRAWING ON SOLID PERIMETER LINES.
2. USE 3M #76 SPRAY ADHESIVE TO BOND THIS LAMINATED CUTOUT TO THE INTERIOR OF THE ELECTRICAL PANEL.

NEXT ASSY.: NONE
SUPERCEDES: 0023174
DO NOT SCALE DRAWING
MARK PART NUMBER AND REVISION ON ALL PARTS
THIS DRAWING IS THE PROPERTY OF ELDOURADO NATIONAL COMPANY, A THOR INDUSTRIES COMPANY AND IS NOT TO BE DUPLICATED OR USED IN ANY WAY DETRIMENTAL TO THEIR BEST INTEREST.

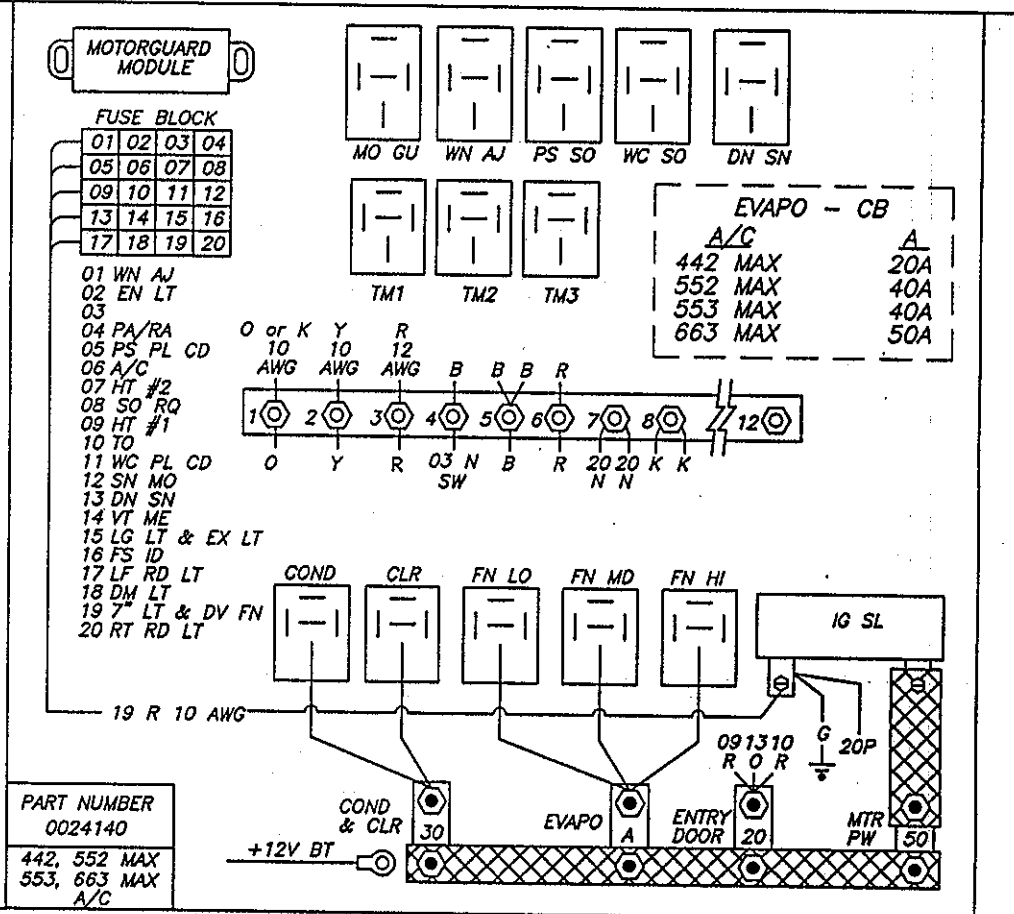
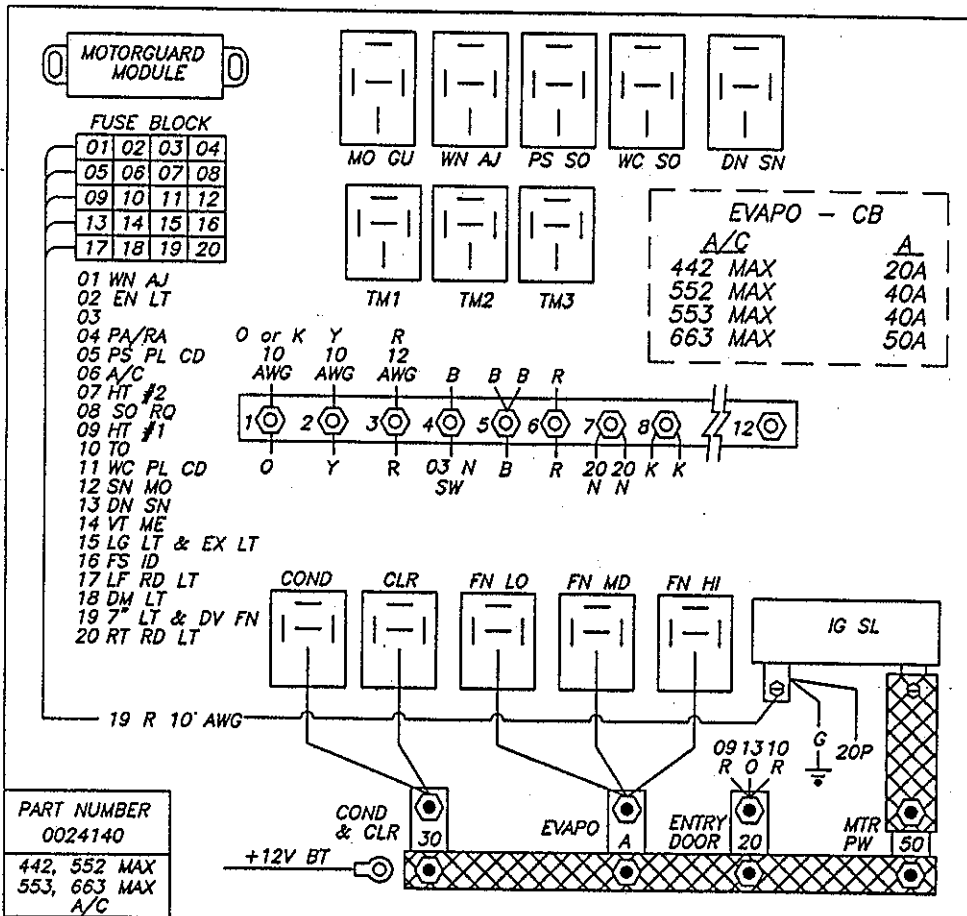
REV.	BY	DATE	DESCRIPTION	DR NUMBER
TOLERANCE UNLESS SPECIFIED		DRAWING INFORMATION		
FRACTIONS ± 1/16	DECIMALS .00 ± .06	ANGLES ± 1 DEG.	DATE: 10/2/97	SCALE: 1=1
DRAWN: MCGILLIAN		CHKD: B		
MATERIAL SPEC. LAMINATE		PART NUMBER 0024139		

ENC
304 AVENUE B
551 INDUSTRIAL AREA
SALINA, KS. 67401

ELDOURADO NATIONAL CO. A THOR INDUSTRIES COMPANY
TITLE: DECAL, 98 AT/AL ELEC CTR CAC
TIE-IN A/C


02818
0024139

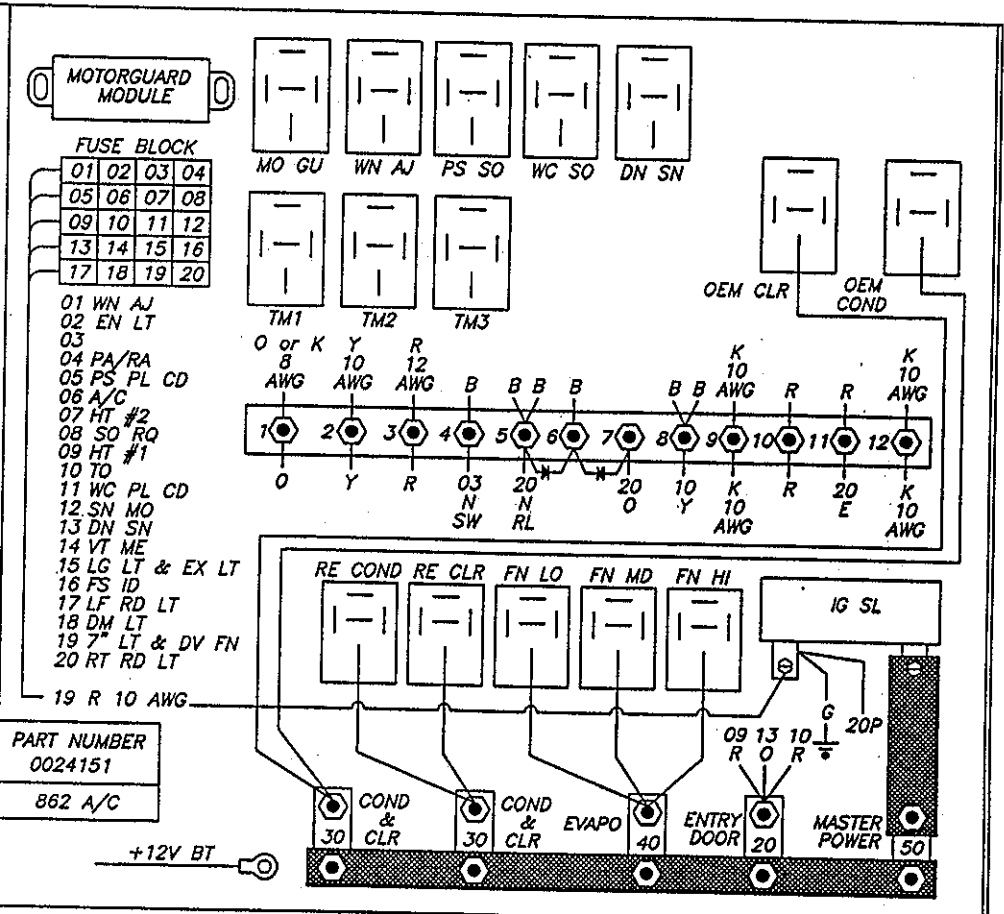
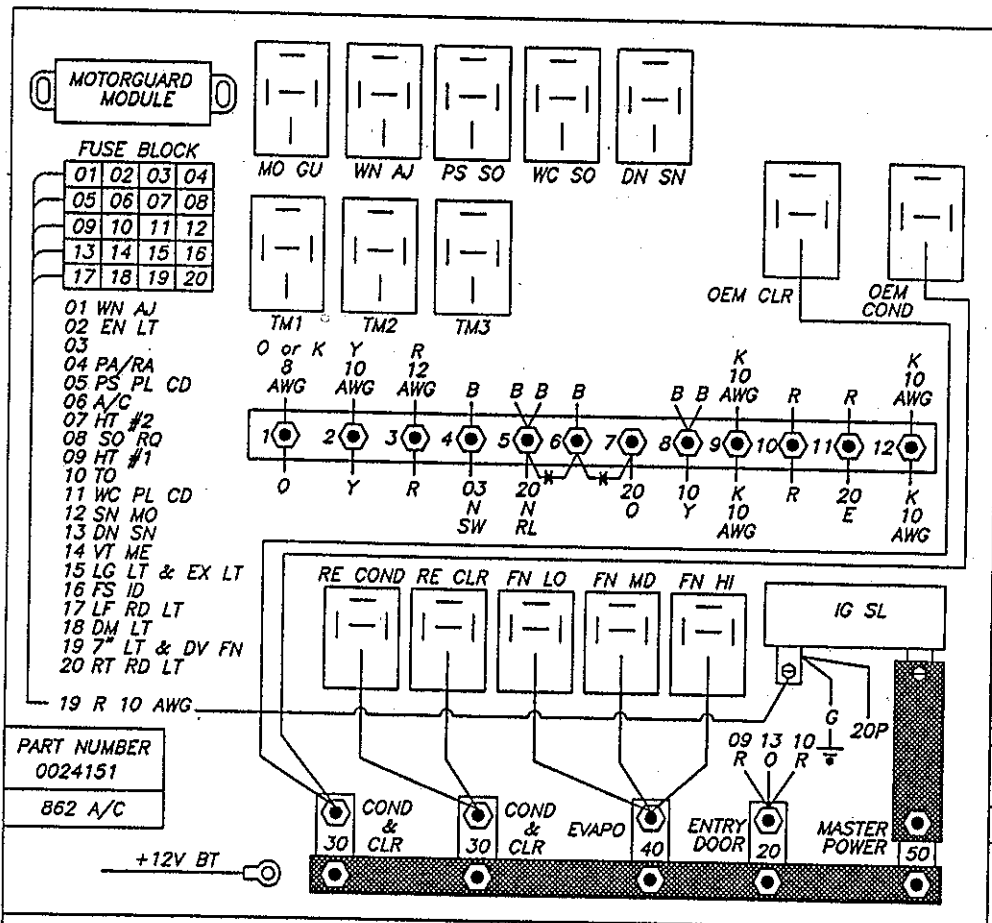
PAGE 1 of 1



NOTE:
1. CUT OUT DRAWING ON SOLID PERIMETER LINES.
2. USE 3M #76 SPRAY ADHESIVE TO BOND THIS LAMINATED CUTOUT TO THE INTERIOR OF THE ELECTRICAL PANEL.

NEXT ASSY.: NONE
SUPERCEDES: 0023173
DO NOT SCALE DRAWING
MARK PART NUMBER AND REVISION ON ALL PARTS
THIS DRAWING IS THE PROPERTY OF ELDERADO NATIONAL COMPANY, A THOR INDUSTRIES COMPANY AND IS NOT TO BE DUPLICATED OR USED IN ANY WAY DETRIMENTAL TO THEIR BEST INTEREST.

REV: BY DATE	DESCRIPTION	ER NUMBER	 304 AVENUE B SALINA, KS. 67401
TOLERANCE UNLESS SPECIFIED	DRAWING INFORMATION	MATL. SPEC. LAMINATE	
FRACTIONS ± 1/16 DECIMALS .00 ± .08 ANGLES ± 1 DEG.	DRAWING/COURTNEY CHD. DATE: 10/6/97 SCALE: 1=1	PART NUMBER 0024140	ELDERADO NATIONAL CO. A THOR INDUSTRIES COMPANY TITLE: DECAL, 98 AT/AL ELEC CTR CAC MAX A/C PAGE 1 of 1



NOTE:
 1. CUT OUT DRAWING ON SOLID PERIMETER LINES.
 2. USE 3M #76 SPRAY ADHESIVE TO BOND THIS LAMINATED CUTOUT TO THE INTERIOR OF THE ELECTRICAL PANEL.

NEXT ASSY.: NONE
 SUPERCEDES: 0023175
DO NOT SCALE DRAWING
 MARK PART NUMBER AND REVISION ON ALL PARTS
 THIS DRAWING IS THE PROPERTY OF ELDERADO NATIONAL COMPANY, A THOR INDUSTRIES COMPANY AND IS NOT TO BE DUPLICATED OR USED IN ANY WAY DETRIMENTAL TO THEIR BEST INTEREST.

REV.	BY	DATE	DESCRIPTION	ER NUMBER
TOLERANCE UNLESS SPECIFIED		DRAWING INFORMATION		
FRACTIONS ± 1/16		DRAWING: GULLAN	CRD:	
DECIMALS ± .06		DATE: 10/06/97	SIZE: B	
ANGLES ± 1 DEG.		SCALE: 1=1	WT: 0.001 LB	

ENC
 304 AVENUE B
 3D INDUSTRIAL AREA
 SALINA, KS 67401

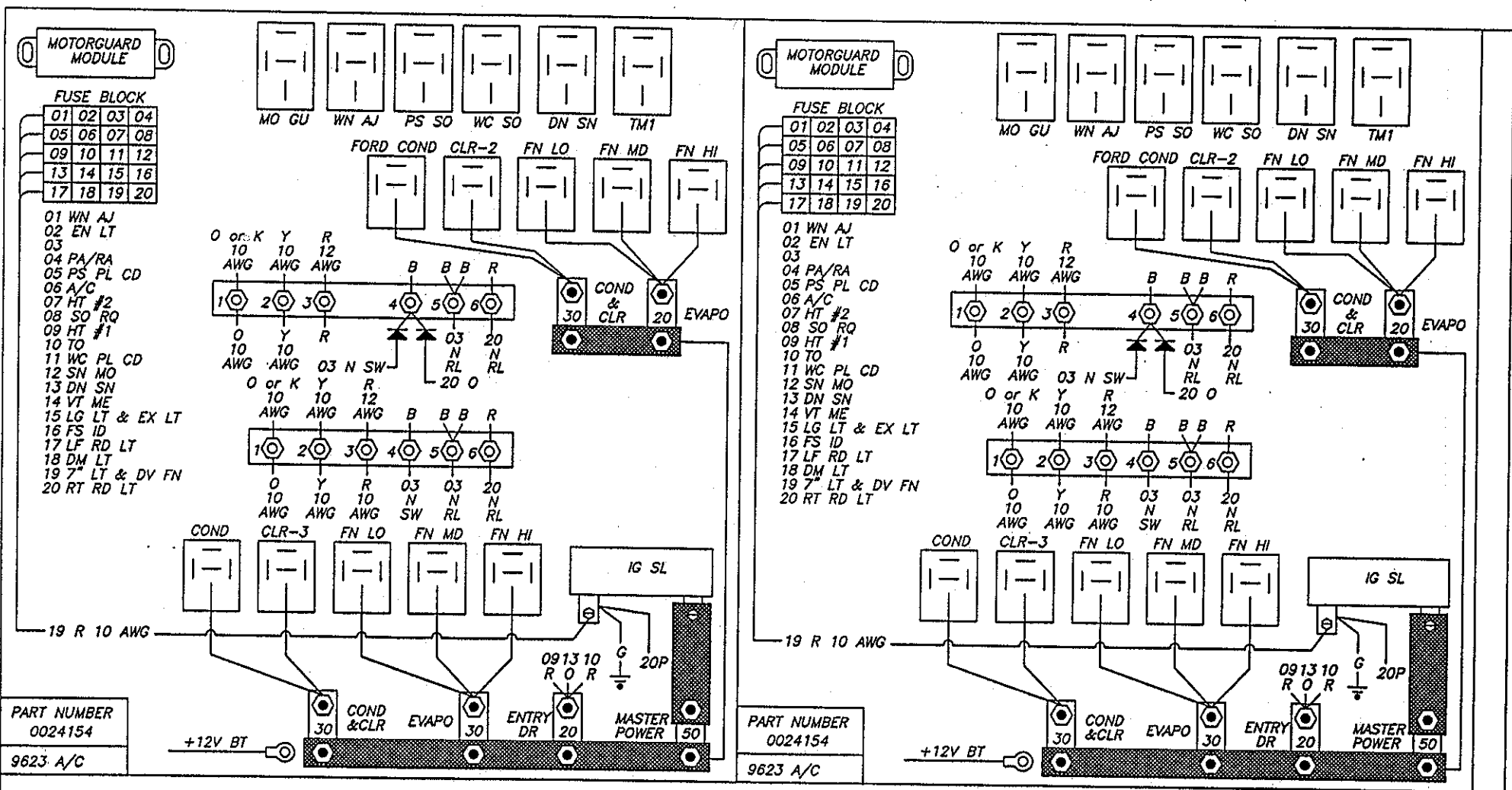
ELDERADO NATIONAL CO. A THOR INDUSTRIES COMPANY

TITLE:
 DECAL, 98 AT/AL ELEC CTR CAC
 852 A/C

MATL. SPEC.
 LAMINATE

PART NUMBER
0024151

PAGE
 1 of 1



PART NUMBER
0024154

9623 A/C

NOTE:

- CUT OUT DRAWING ON SOLID PERIMETER LINES.
- USE 3M #76 SPRAY ADHESIVE TO BOND THIS LAMINATED CUTOUT TO THE INTERIOR OF THE ELECTRICAL PANEL.

NEXT ASSY.: NONE

SUPERCEDES: 0023176

DO NOT SCALE DRAWING

MARK PART NUMBER AND REVISION ON ALL PARTS

THIS DRAWING IS THE PROPERTY OF ELDERADO NATIONAL COMPANY, A THOR INDUSTRIES COMPANY AND IS NOT TO BE DUPLICATED OR USED IN ANY WAY DETRIMENTAL TO THEIR BEST INTEREST.

REV.	BY	DATE	DESCRIPTION	DR NUMBER
TOLERANCE UNLESS SPECIFIED		DRAWING INFORMATION		
FRACTIONS ± 1/16		DRAWN: MCCOULLAN		
DECIMALS .00 ± .00		DATE: 10/6/97		
ANGLES ± 1 DEG.		SIZE: B		
		SCALE: 1=1		
		WT: 0.001 lb		

ENG

304 AVENUE B
5A INDUSTRIAL AREA
SALINA, KS. 67401

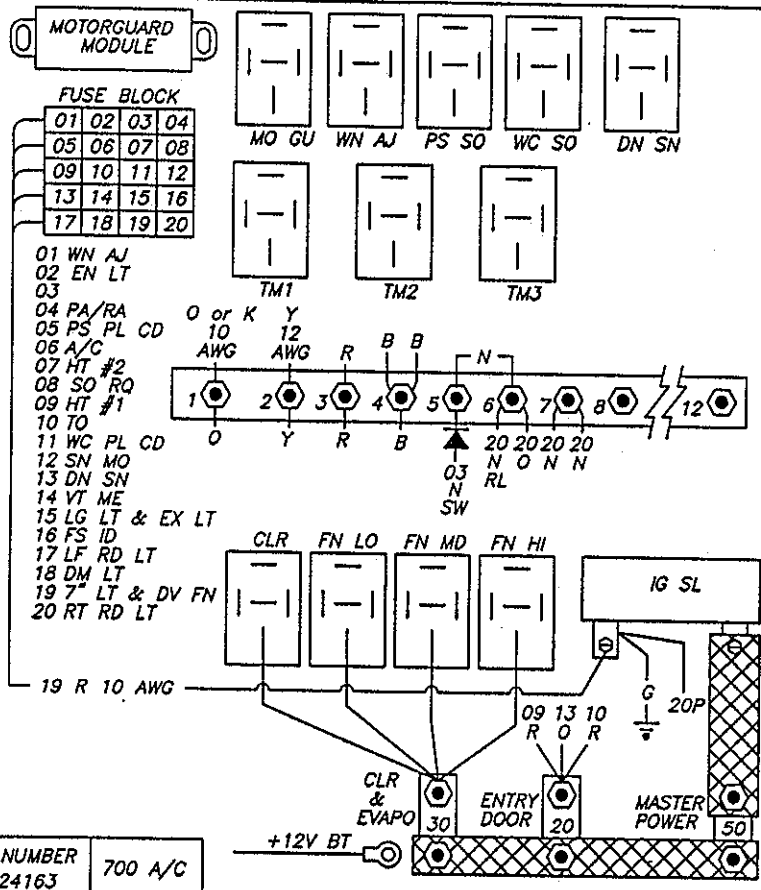
ELDERADO NATIONAL CO. A THOR INDUSTRIES COMPANY

TITLE:
DECAL, 98 AT/AL ELEC CTR CAC
9623 A/C

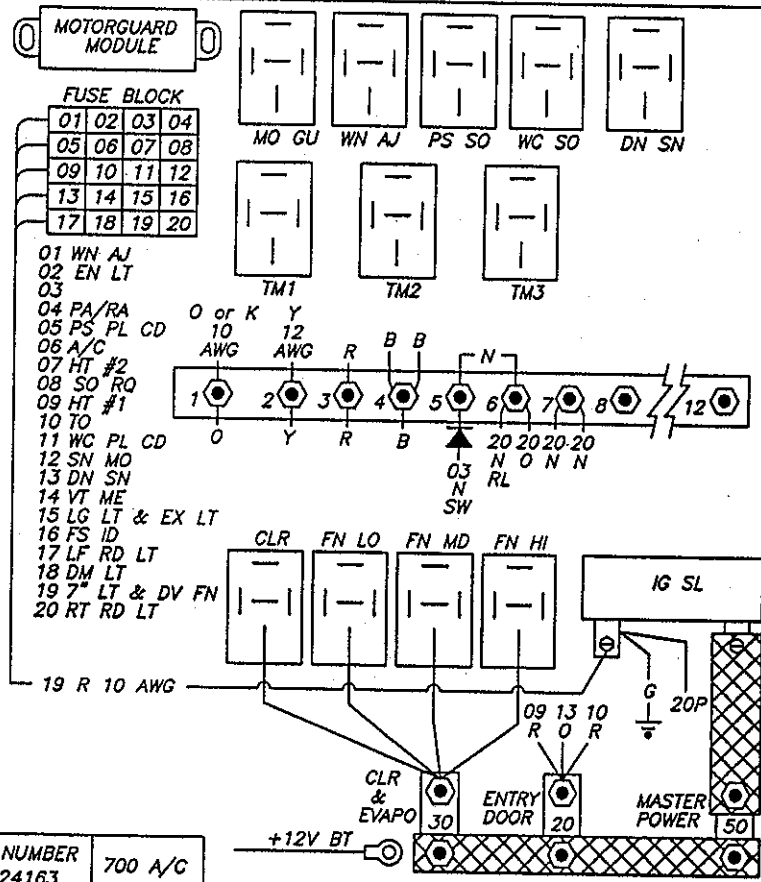
MATL. SPEC.
LAMINATE

PART NUMBER
0024154

PAGE
1 of 1



PART NUMBER 0024163 700 A/C

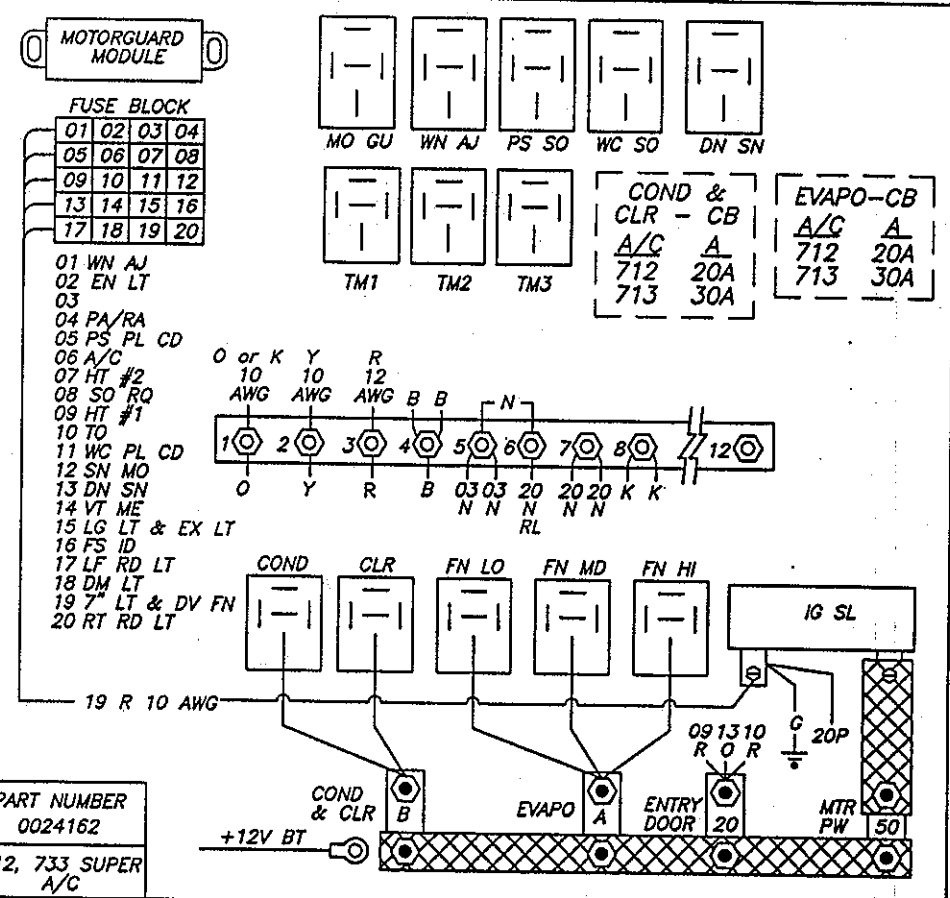
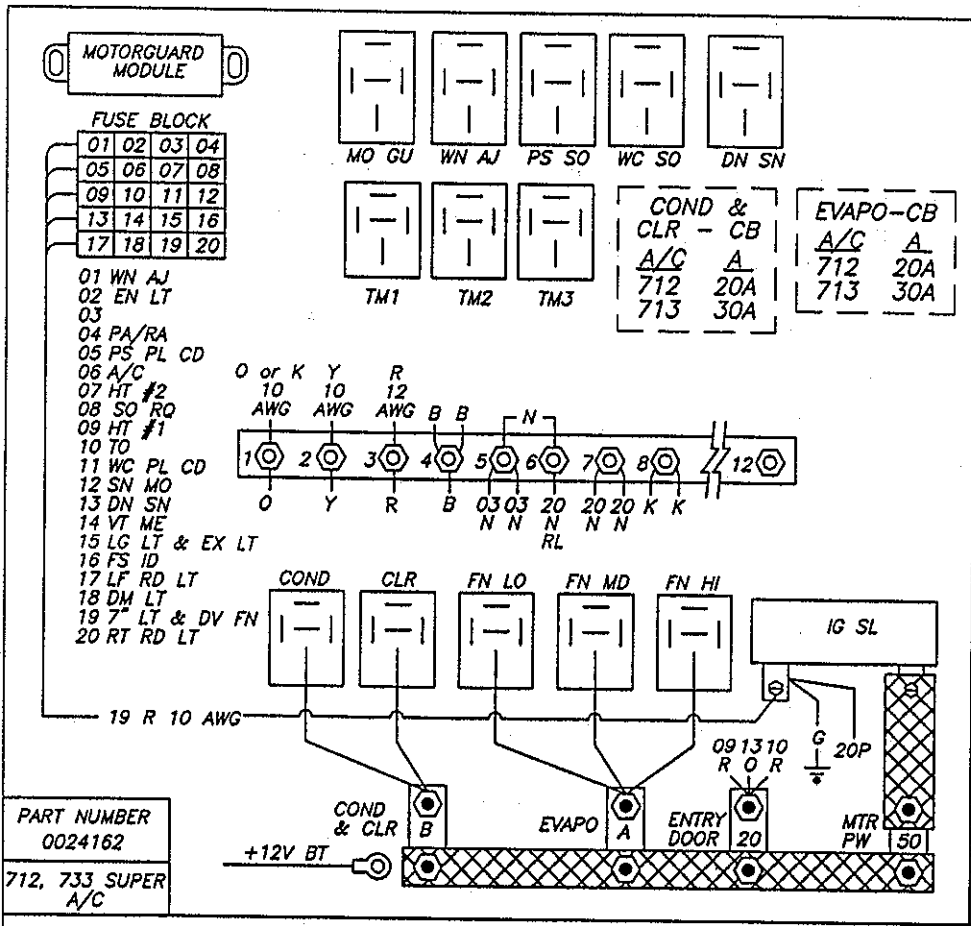


PART NUMBER 0024163 700 A/C

NOTE:
 1. CUTOUT DRAWING ON SOLID PERIMETER LINES.
 2. USE 3M #76 SPRAY ADHESIVE TO BOND THIS LAMINATED CUTOUT TO THE INTERIOR OF THE ELECTRICAL PANEL.

NEXT ASSY.: NONE				Eldorado National Co. A Thor Industries Company	
SUPERCEDES: NONE				TITLE: DECAL, 98 AT/AL ELEC CTR TA 700 TIE-IN A/C	
DO NOT SCALE DRAWING		REV. BY: BJM	DATE: 10/7/97	RELEASE TO PRODUCTION	02816
MARK PART NUMBER AND REVISION ON ALL PARTS		DESCRIPTION		ER NUMBER	
THIS DRAWING IS THE PROPERTY OF ELDORADO NATIONAL COMPANY, A THOR INDUSTRIES COMPANY AND IS NOT TO BE DUPLICATED OR USED IN ANY WAY DETRIMENTAL TO THEIR BEST INTEREST.		TOLERANCE UNLESS SPECIFIED		DRAWING INFORMATION	
		FRACTIONS ± 1/16		DRAWING: COULLAN	
		DECIMALS .00 ± .06		DATE: 10/7/97	
		ANGLES ± 1 DEG.		SCALE: 1=1	
				MATT. SPEC. LAMINATE	
				PART NUMBER 0024163	
				PAGE 1 of 1	

ENC
 304 AVENUE B
 50 INDUSTRIAL AREA
 SALINA, KS. 67401

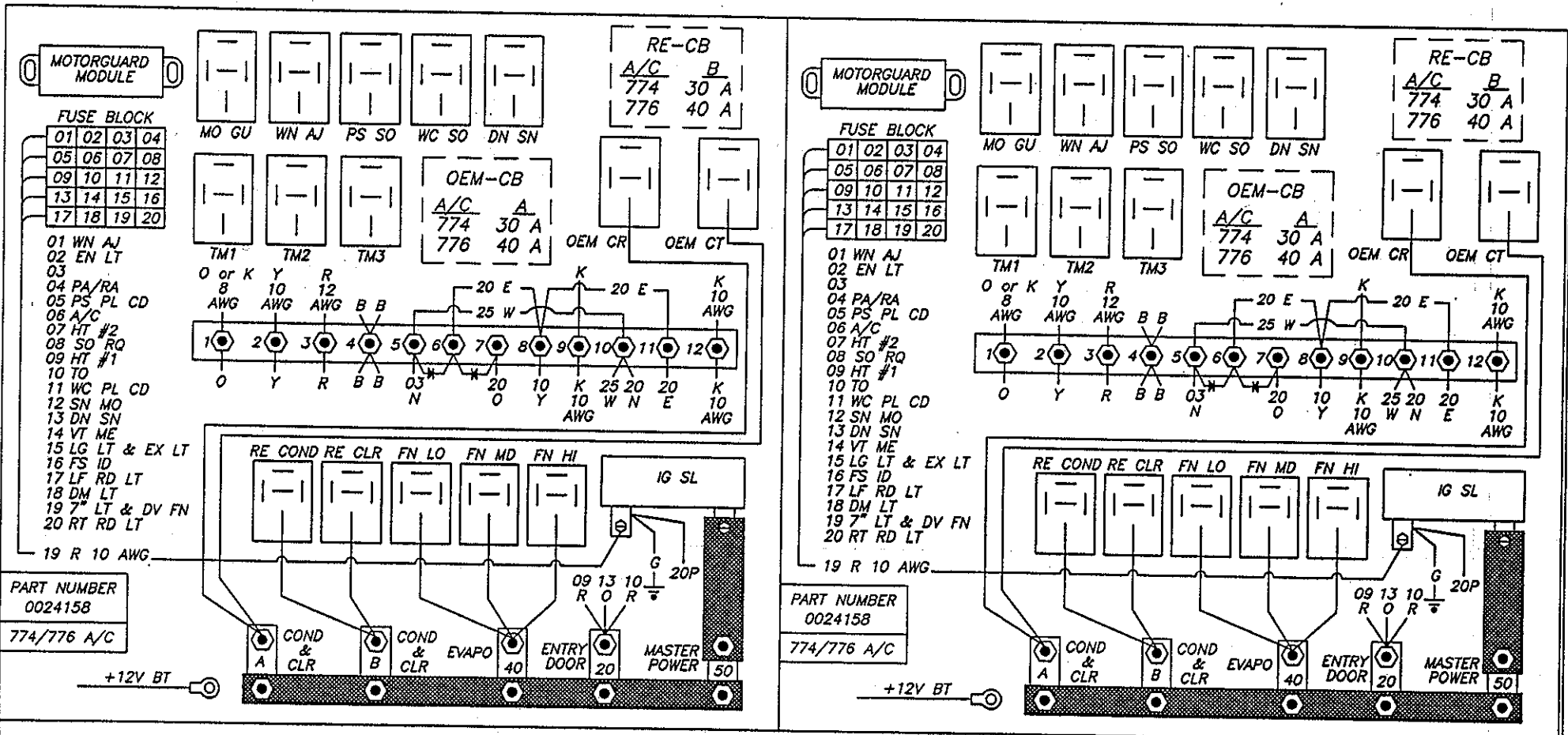


NOTE:
1. CUT OUT DRAWING ON SOLID PERIMETER LINES.
2. USE 3M #76 SPRAY ADHESIVE TO BOND THIS LAMINATED CUTOUT TO THE INTERIOR OF THE ELECTRICAL PANEL.

NEXT ASSY.: NONE
SUPERCEDES: NONE
DO NOT SCALE DRAWING
MARK PART NUMBER AND REVISION ON ALL PARTS

THIS DRAWING IS THE PROPERTY OF ELDORADO NATIONAL COMPANY, A THOR INDUSTRIES COMPANY AND IS NOT TO BE DUPLICATED OR USED IN ANY WAY DETRIMENTAL TO THEIR BEST INTEREST.

REV.	BY	DATE	DESCRIPTION	ER NUMBER
-	BJM	10/7/97	RELEASE TO PRODUCTION	02818
TOLERANCE UNLESS SPECIFIED				
FRACTIONS ± 1/16		DRAWING INFORMATION		
DECIMALS .00 ± .00		DRAWING/COULLAN/CKD:		
ANGLES ± 1 DEG.		DATE: 10/7/97		
		SCALE: 1=1		
		WT: 0.001 B		
ENC				
ELDORADO NATIONAL CO. A THOR INDUSTRIES COMPANY				
304 AVENUE B 501 INDUSTRIAL AREA SALINA, KS. 67401				
TITLE: DECAL, 98 AT/AL ELEC CTR TA A/C SUPER				
MATERIAL SPEC. LAMINATE				
PART NUMBER 0024162				
				PAGE 1 of 1



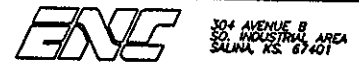
NOTE:
1. CUT OUT DRAWING ON SOLID PERIMETER LINES.
2. USE 3M #76 SPRAY ADHESIVE TO BOND THIS LAMINATED CUTOUT TO THE INTERIOR OF THE ELECTRICAL PANEL.

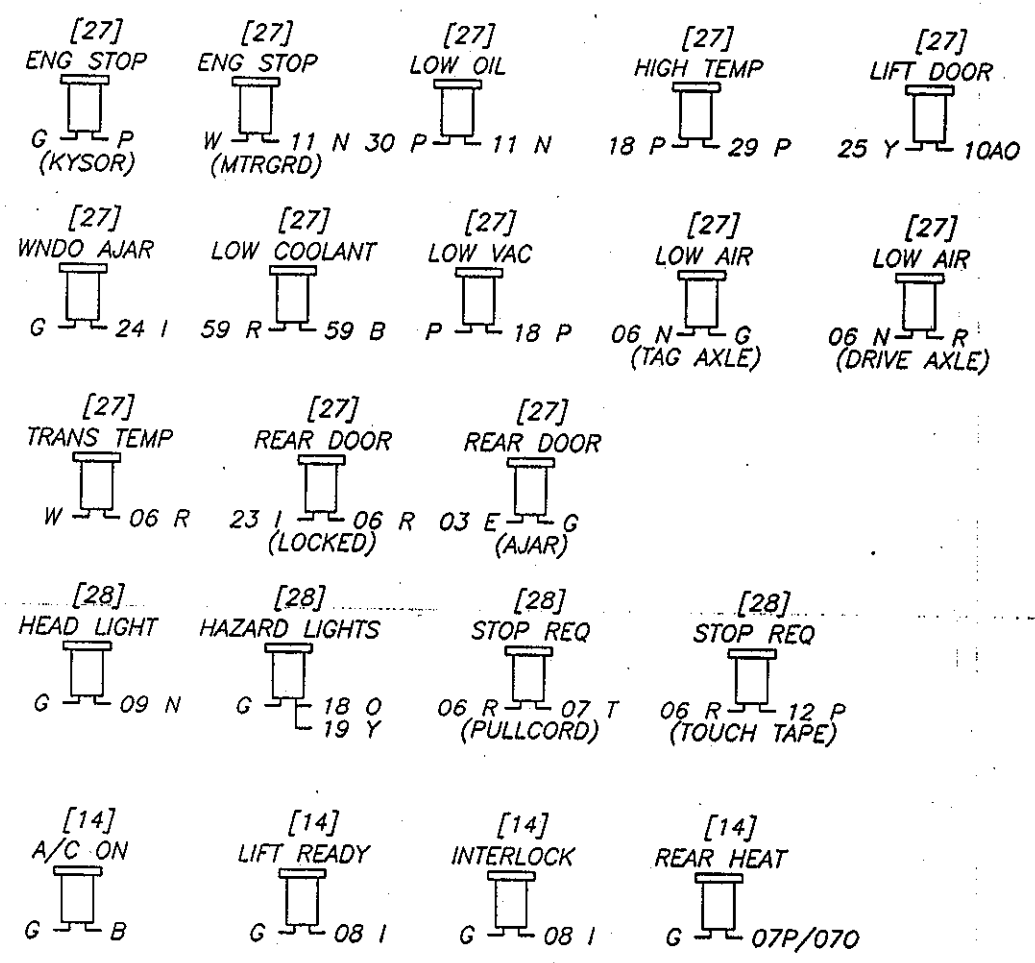
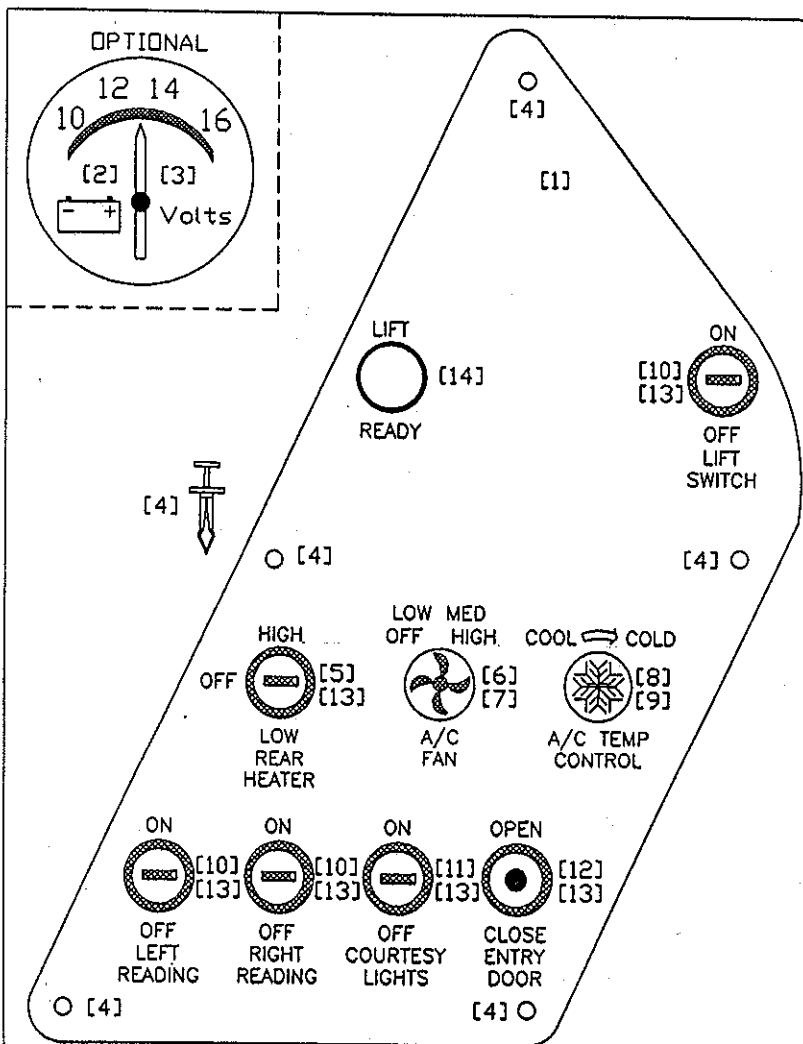
NEXT ASSY.: NONE
SUPERCEDES: NONE

DO NOT SCALE DRAWING -
MARK PART NUMBER AND REVISION ON ALL PARTS


THIS DRAWING IS THE PROPERTY OF ELDRADO NATIONAL COMPANY, A THOR INDUSTRIES COMPANY AND IS NOT TO BE DUPLICATED OR USED IN ANY WAY DETRIMENTAL TO THEIR BEST INTEREST.

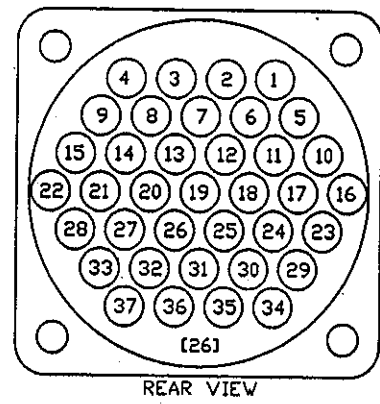
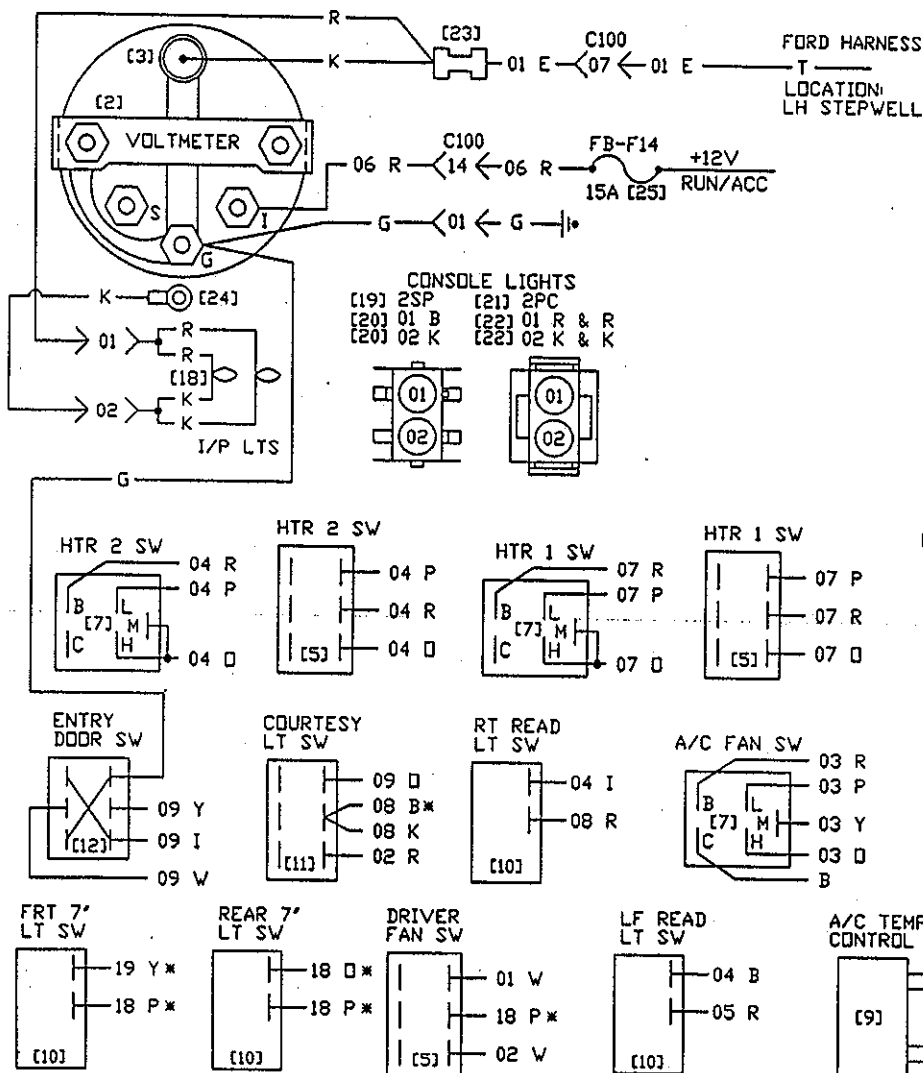
REV.	BY	DATE	DESCRIPTION	QR NUMBER
TOLERANCE UNLESS SPECIFIED		DRAWING INFORMATION		
FRACTIONS ± 1/16		DRAWN: MCGILLAN	CHKD:	
DECIMALS .00 ± .04		DATE: 10/2/97	SIZE: B	
ANGLES ± 1 DEG.		SCALE: 1=1	WT: 0.001 LB	
ELDRADO NATIONAL CO. A THOR INDUSTRIES COMPANY				
TITLE:				
DECAL 98 AT/AL ELEC CTR TA				
774/776 A/C				
MATE SPEC:				
LAMINATE				
PART NUMBER				
0024158				
PAGE				
1 of 1				






NOTE:
 1. [Y] WHERE Y REFERS TO THE B.O.M. ITEM NUMBER.
 2. ALL ELECTRICAL CHASSIS GROUND CONNECTIONS WILL USE STAR WASHERS.
 3. * - 16 AWG WIRE
 4. ALL EXTERIOR WIRING CONNECTIONS WILL BE COVERED WITH MASTIC LINED HEAT SHRINK TUBING.

NEXT ASSY.: NONE		C DWR 01/15/81 ADD LIFT SW & LIFT LY		02581	 304 AVENUE B 80 INDUSTRIAL AREA SALINA, KS. 67401	
SUPERCEDES: 0019236		B JHW 1/13/81 OPT VOLTMETER, ADD PG 2 & 3		02227		
DO NOT SCALE DRAWING		A DWR 01/15/81 CHG BOM #12		00201	ELDORADO NATIONAL CO. A THOR INDUSTRIES COMPANY	
MARK PART NUMBER AND REVISION ON ALL PARTS		- DWR 12/11/82 RELEASE TO PRODUCTION		00148	TITLE: PANEL, TOGGLE SWITCHES	
THIS DRAWING IS THE PROPERTY OF ELDERADO NATIONAL COMPANY, A THOR INDUSTRIES COMPANY AND IS NOT TO BE DUPLICATED OR USED IN ANY WAY DETRIMENTAL TO THEIR BEST INTEREST.		REV.	BY	DATE	DESCRIPTION	DR NUMBER
TOLERANCE UNLESS SPECIFIED		FRACTIONS ± 1/16		DRAWING INFORMATION		MAT'L SPEC.
DECIMALS .00 ± .06		DATE 12/11/82		DRAWN BY E.E.C. C.D.		SEE B.O.M.
ANGLES ± 1 DEG.		SCALE 1=1		PART NUMBER		0020073
						PAGE
						1 of 3



PIN#	WIRE	SIGNAL
01	12 G	GR
02	09 W	DR CN
03	09 Y	DR CN
04	04 R	HT2 PW
05	07 R	HT1 PW
06	06 R	VT ME PW
*07	01 E	DA LT
08	03 R	AC PW
09	03 N	AC CT
10	03 P	AC FN LD
11	03 Y	AC FN MD
12	03 D	AC FN HI
13	07 P	HT1 LD
14	07 Y	HT1 MD
15	07 D	HT1 HI
16	04 B	LF RD LT
17	04 I	RT RD LT
18	08 K	DM LT
19		
20		
21	04 P	HT2 LD
22	04 Y	HT2 MD
23	04 D	HT2 HI
24	05 R	LF RD LT PW
25		
*26	08 B	CR LT
*27	18 D	RE 7' LT
*28	18 P	7' LT PW
29		
30	08 R	RT RD LT PW
31	02 R	DM LT PW
32	09 I	DR PW
33		
34		
35		
36	09 D	SE LT
*37	19 Y	FT 7' LT

NOTE:
 1. [Y] WHERE Y REFERS TO THE B.O.M. ITEM NUMBER.
 2. ALL ELECTRICAL CHASSIS GROUND CONNECTIONS WILL USE STAR WASHERS.
 3. * - 16 AWG WIRE
 4. ALL EXTERIOR WIRING CONNECTIONS WILL BE COVERED WITH MASTIC LINED HEAT SHRINK TUBING.

NEXT ASSY.: NONE		SUPERCEDES: 0019236		DO NOT SCALE DRAWING		MARK PART NUMBER AND REVISION ON ALL PARTS		 304 AVENUE B INDUSTRIAL AREA SALINA, KS. 67401	
C	DWR	8/15/81	ADD LIFT SW & LIFT LT	02501	ELDORADO NATIONAL CO. A THOR INDUSTRIES COMPANY				
B	JHW	8/15/81	OPT VOLTMTR- ADD PG 2 & 3	02227	TITLE:				
A	DWR	8/15/81	CHG BOW #12	00201	PANEL, TOGGLE SWITCHES				
-	DWR	12/12/82	RELEASE TO PRODUCTION	00148	MATERIAL SPEC. SEE B.O.M.				
THIS DRAWING IS THE PROPERTY OF ELDERADO NATIONAL COMPANY, A THOR INDUSTRIES COMPANY AND IS NOT TO BE DUPLICATED OR USED IN ANY WAY DETRIMENTAL TO THEIR BEST INTEREST.				TOLERANCE UNLESS SPECIFIED		DRAWING INFORMATION		PART NUMBER	
				FRACTIONS ± 1/16		DRAWN BY: [] CKD:		0020073	
				DECIMALS .00 ± .06		DATE: 12/11/82		PAGE	
				ANGLES ± 1 DEG.		SCALE: 1=1		2 of 3	

ITEM	QTY.	PART NO.	DESCRIPTION
1	1	0001590	PANEL, CONSOLE W/ VOLTMETER
2	REF	68313	METER, VOLT #9154073
3	REF	68306	LIGHT, KIT #1827871
4	5	0023527	CONSOLE MTG RIVETS
5	REF	0001343	SWITCH, DPDT ON/OFF/ON D-TOGGLE
6	REF	120426	KNOB, EVAPO FAN SPEED SWITCH
7	REF	124860	SWITCH, ROTARY 3-SPEED
8	REF	120428	KNOB, SWITCH THERMOSTAT
9	REF	120427	SWITCH, THERMOSTAT
10	REF	0001086	SWITCH, SPST ON/OFF SPST D-TOGGLE
11	REF	68121	SWITCH, DPDT ON/NONE/ON D-TOGGLE
12	REF	68069	SWITCH, DPDT MOM ON/OFF/MOM ON BAT TOG
13	REF	68421	NUT, KNURLED DRESS FACE BLK
14	REF	65315	LIGHT, GREEN INDICATOR
15	1	0016723	HARNES, AT/AL CONSOLE
16	1	75552	CONSOLE, 97 FORD ENGINE
17	REF	0023410	BRKT, I/P MULTILAMP
18	REF	68210	LIGHT, CONSOLE I/P
19	1	62772	PLUG, 2-CIRCUIT
20	2	62765	SOCKET, 14-18 AWG REEL
21	1	62773	CAP, 2-CIRCUIT
22	2	62764	PIN, 14-18 AWG REEL
23	1	61800	CONN, BUTT 14-16 AWG INS
24	1	62320	CONN, RING 14-16 AWG X #10 INS
25	REF	63069	FUSE, 15A BLADE
26	REF	62804	CONN, 37-POSITION RECEPTACLE
27	REF	65316	LIGHT, RED INDICATOR
28	REF	65317	LIGHT, AMBER INDICATOR
29			

△B

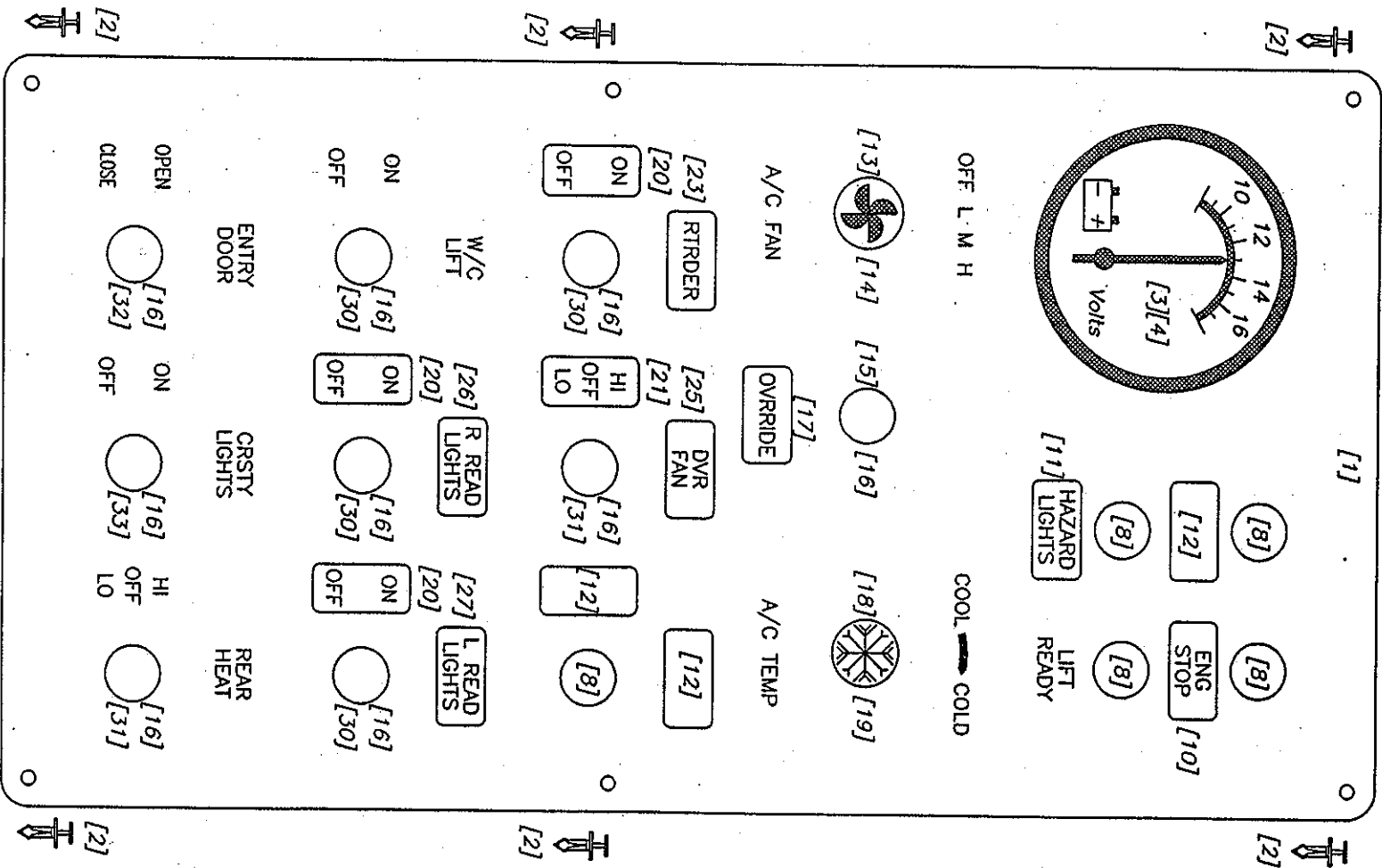
NS
NS
NS

△C
△C
△C

NOTE:
1. NS - NOT SHOWN ON THIS DRAWING

NEXT ASSY.: NONE		ADD LFT SW & LFT LY		02581	
SUPERCEDES: 0019236		DET VOLTMETER, ADD PG 2 & 3		02227	
DO NOT SCALE DRAWING		CHG SCREWS TO MTG RIVETS		02201	
MARK PART NUMBER AND REVISION ON ALL PARTS		CHG BOM 712		00148	
REV.	BY	DATE	DESCRIPTION	DR NUMBER	
			RELEASE TO PRODUCTION		
TOLERANCE UNLESS SPECIFIED			DRAWING INFORMATION		
FRACTIONS ± 1/16			DRAWING: R E C D		
DECIMALS .00 ± .06			DATE: 12/11/92		
ANGLES ± 1 DEG.			SCALE: 1=1		
THIS DRAWING IS THE PROPERTY OF ELDERADO NATIONAL COMPANY, A THOR INDUSTRIES COMPANY AND IS NOT TO BE DUPLICATED OR USED IN ANY WAY DETRIMENTAL TO THEIR BEST INTEREST.			MATE SPEC. SEE B.O.M.		
			PART NUMBER		
			0020073		
					PAGE
					3 of 3





- NOTE**
- [Y] WHERE Y REFERS TO THE B.O.M. ITEM NUMBER.
 - ALL ELECTRICAL CHASSIS GROUND CONNECTIONS WILL USE STAR WASHERS.
 - ALL EXTERIOR WIRING CONNECTIONS WILL BE COVERED WITH MASTIC LINED HEAT SHRINK TUBING.

C		DWR	04/02/87	DEL CHIPS AND ENGRAVED THESE LOCATIONS	01999
B		JMW	3/3/87	CHG SCREWS TO 5/16 BORETS	02227
A		DWR	01/28/87	ADD ALUMINUM FOOT DRIVE AXLE AIR BRG	02151
-		DWR	09/24/86	RELEASE TO PRODUCTION	01894
REV.	BY	DATE	DESCRIPTION		DT NUMBER
TOLERANCE UNLESS SPECIFIED			DRAWING INFORMATION		
FRACTIONS ± 1/16			DRAWN: FRED	CRD:	PART NUMBER
DECIMALS .00 ± .08			DATE: 09/18/88	SIZ: 8	0023112
ANGLES ± 1 DEG.			SCALE: 1=1	W:	

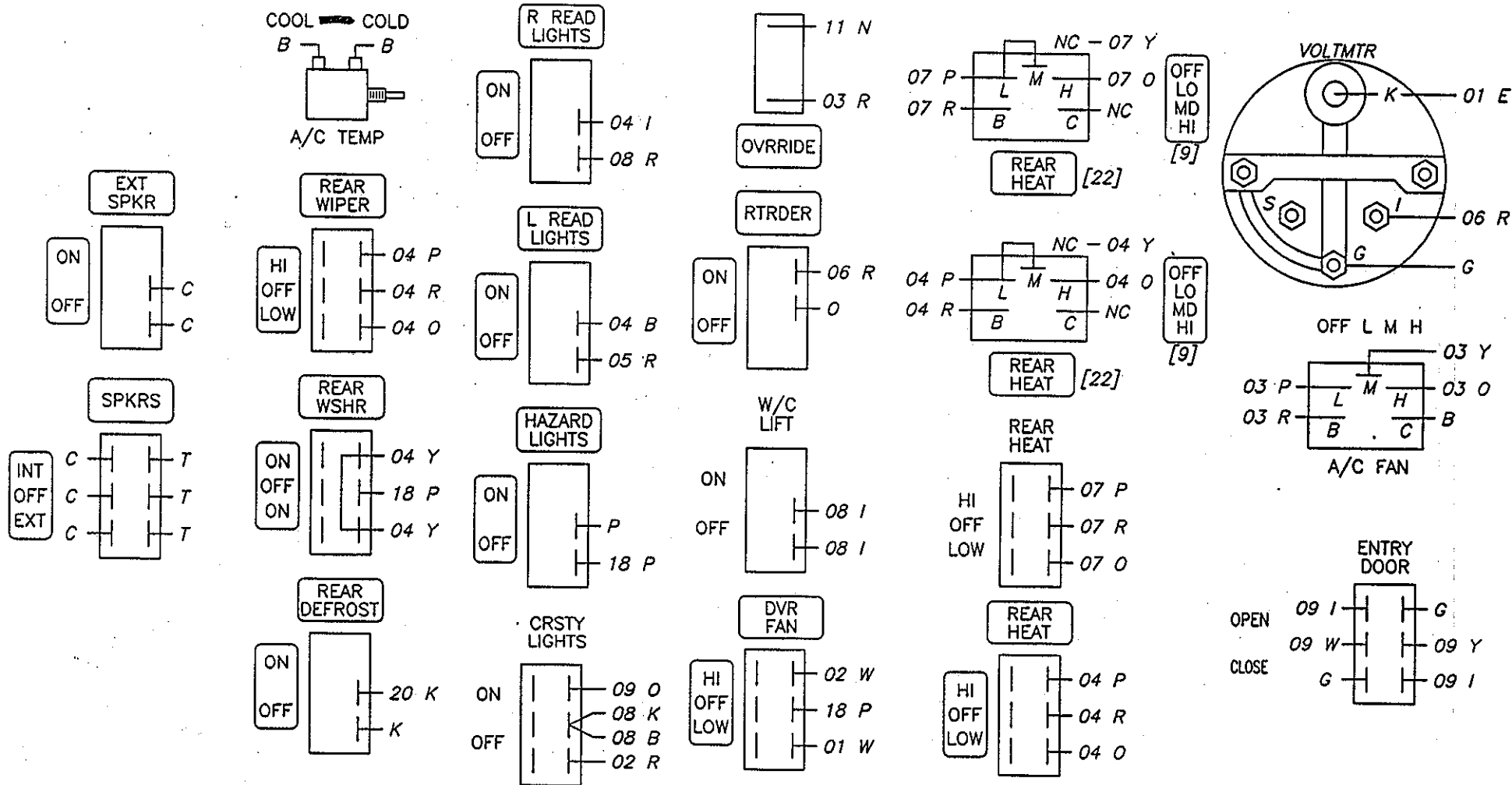
ENG 304 AVENUE B
300 INDUSTRIAL AREA
SALINA, KS. 67401

ELDORADO NATIONAL CO. A THOR INDUSTRIES COMPANY

TITLE: PANEL, 97 AT/AL FRONT & REAR VIEW TOGGLE SWITCH

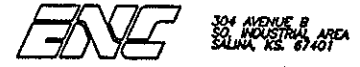
MATL SPEC: SEE B.O.M.

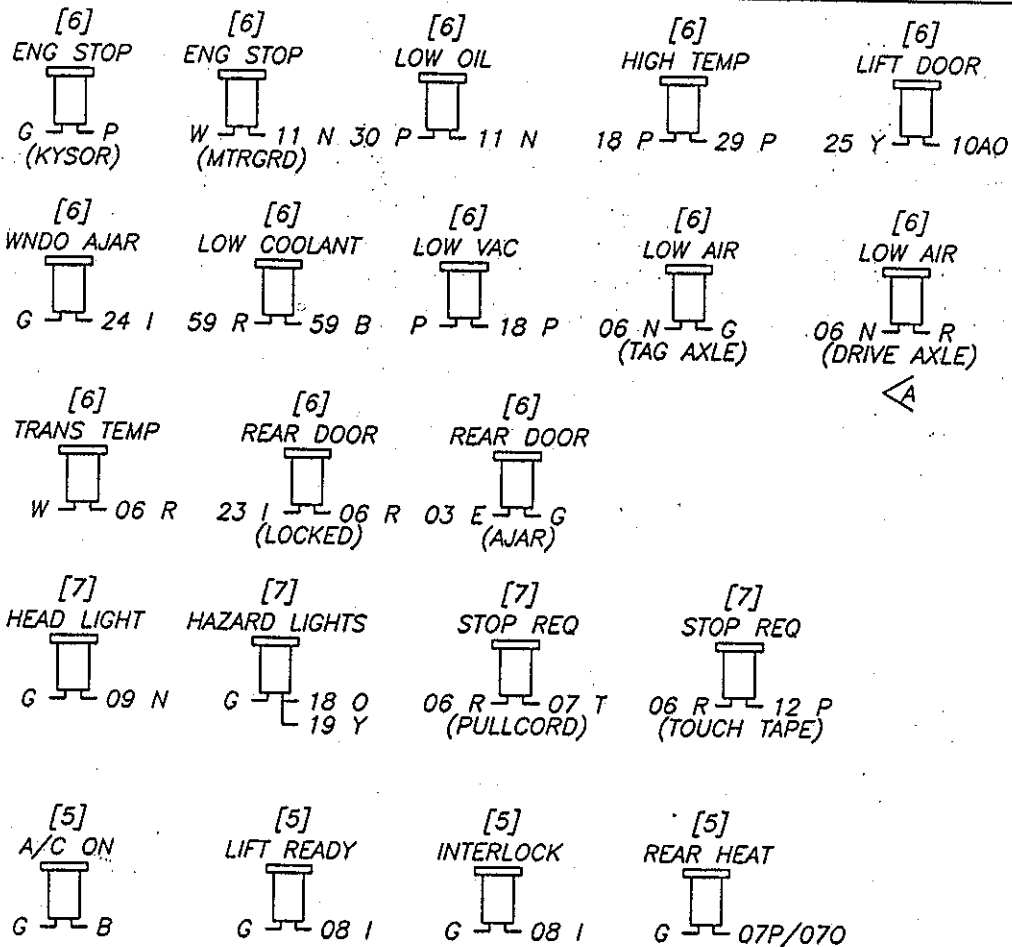
PAGE 1 of 4



- NOTE**
- [Y] WHERE Y REFERS TO THE B.O.M. ITEM NUMBER.
 - ALL ELECTRICAL CHASSIS GROUND CONNECTIONS WILL USE STAR WASHERS.
 - ALL EXTERIOR WIRING CONNECTIONS WILL BE COVERED WITH MASTIC LINED HEAT SHRINK TUBING.
 - NC - NO CONNECTION

NEXT ASSY.: NONE		01999		ELDORADO NATIONAL CO. A THOR INDUSTRIES COMPANY
C	DWR 04/02/97	DEL CHIPS AND ENGRAVED THESE LOCATIONS	02227	
B	JHW 3/3/97	CHG SCREWS TO MTG RIVETS	02151	TITLE: PANEL, 97 AT/AL FRONT & REAR VIEW TOGGLE SWITCH
A	DWR 01/24/91	ADD ALARM LY FOR DRIVE AXLE AIR RIDE	01884	
SUPERCEDES: 0020073 & 0019236		RELEASE TO PRODUCTION		ER NUMBER
DO NOT SCALE DRAWING		DATE 09/18/98		
MARK PART NUMBER AND REVISION ON ALL PARTS		DATE 09/18/98		MATERIAL SPEC. SEE B.O.M.
REV. BY DATE DESCRIPTION		DATE 09/18/98		
THIS DRAWING IS THE PROPERTY OF ELDERADO NATIONAL COMPANY, A THOR INDUSTRIES COMPANY AND IS NOT TO BE DUPLICATED OR USED IN ANY WAY DETRIMENTAL TO THEIR BEST INTEREST.		DRAWING INFORMATION		PART NUMBER 0023112
TOLERANCE UNLESS SPECIFIED		DRAWING INFORMATION		
FRACTIONS ± 1/16		DRAWN: P.R.E.D. CKD:		PAGE 2 of 4
DECIMALS .00 ± .08		DATE 09/18/98		
ANGLES ± 1 DEG.		SCALE: 1=1		WT:





<B

NS

<C <B NS
<C NS

ITEM	QTY.	PART NO.	DESCRIPTION
1	1	0022659	PANEL, AT/AL 9-TOGGLE SWITCH STANDARD
2	6	0023527	CONSOLE MNTG RIVETS
3	REF	68313	METER, VOLT TELE 9154073
4	REF	68306	LIGHT, KIT METER
5	REF	65315	LIGHT, GREEN INDICATOR
6	REF	65316	LIGHT, RED INDICATOR
7	REF	65317	LIGHT, AMBER INDICATOR
8	REF	69844	PLUG, 1/2" SWITCH HOLE
9	REF	70184	CHIP, INST PANEL 'OFF LO MD HI' ENG (VERT)
10	REF	70150	CHIP, INST PANEL 'ENG STOP' ENG
11	REF	70136	CHIP, INST PANEL 'HAZARD LIGHTS' ENG
12	REF	70146	CHIP, INST PANEL BLANK
13	REF	120426	KNOB, ROTARY 3-SPEED SWITCH
14	REF	124860	SWITCH, ROTARY 3-SPEED
15	REF	67683	SWITCH, SPST ON/MOM OFF BAT TOG
16	REF	68421	NUT, BLACK KNURLED DRESS FACE
17	REF	70166	CHIP, INST PANEL 'OVERRIDE' ENG
18	REF	120428	KNOB, THERMOSTAT SWITCH
19	REF	120427	SWITCH, A/C THERMOSTAT
20	REF	70170	CHIP, INST PANEL 'ON OFF' ENG (VERT)
21	REF	70171	CHIP, INST PANEL 'HI OFF LOW' ENG (VERT)
22	REF	70130	CHIP, INST PANEL 'REAR HEAT' ENG
23	REF	70169	CHIP, INST PANEL 'RTRDR' ENG
24			
25	REF	70147	CHIP, INST PANEL 'DVR FAN' ENG
26	REF	70134	CHIP, INST PANEL 'R READ LIGHTS' ENG
27	REF	70135	CHIP, INST PANEL 'L READ LIGHTS' ENG
28	REF	0023410	BRKT, 97 FORD CONSOLE I/P MULTILAMP
29	1	0016723	HARNNESS, AT/AL CONSOLE
30	REF	0001086	SWITCH, SPST ON/OFF D-TOG

NOTE
1. NS-- NOT SHOWN ON THIS DRAWING

NEXT ASSY.: NONE		SUPERCEDES: 0020073 & 0019236		DO NOT SCALE DRAWING		MARK PART NUMBER AND REVISION ON ALL PARTS	
REV.	BY	DATE	DESCRIPTION	ER NUMBER	MATERIAL SPEC.		
C	DWR	04/22/97	DEL CHIPS AND ENGRAVED THESE LOCATIONS	01999	SEE B.O.M.		
B	JWW	3/21/97	ADD SCREENS TO MTO RIVETS	02227	SEE B.O.M.		
A	DWR	01/28/97	ADD ALUMI FOR DRIVE AXLE AIR HOSE	02151	SEE B.O.M.		
-	DWR	08/28/96	RELEASE TO PRODUCTION	01884	SEE B.O.M.		
TOLERANCE UNLESS SPECIFIED				DRAWING INFORMATION			
FRACTIONS ± 1/16		DECIMALS .00 ± .04		DRAWN BY: FRED		GRD:	
ANGLES ± 1 DEG.		DATE: 09/16/98		SIZE: 11x17		PART NUMBER	
				0023112			
							PAGE 3 of 4

304 AVENUE B
5TH INDUSTRIAL AREA
SILVA, VA 27161

ELDORADO NATIONAL CO. A THOR INDUSTRIES COMPANY


TITLE
PANEL, 97 AT/AL FRONT & REAR
VIEW TOGGLE SWITCH

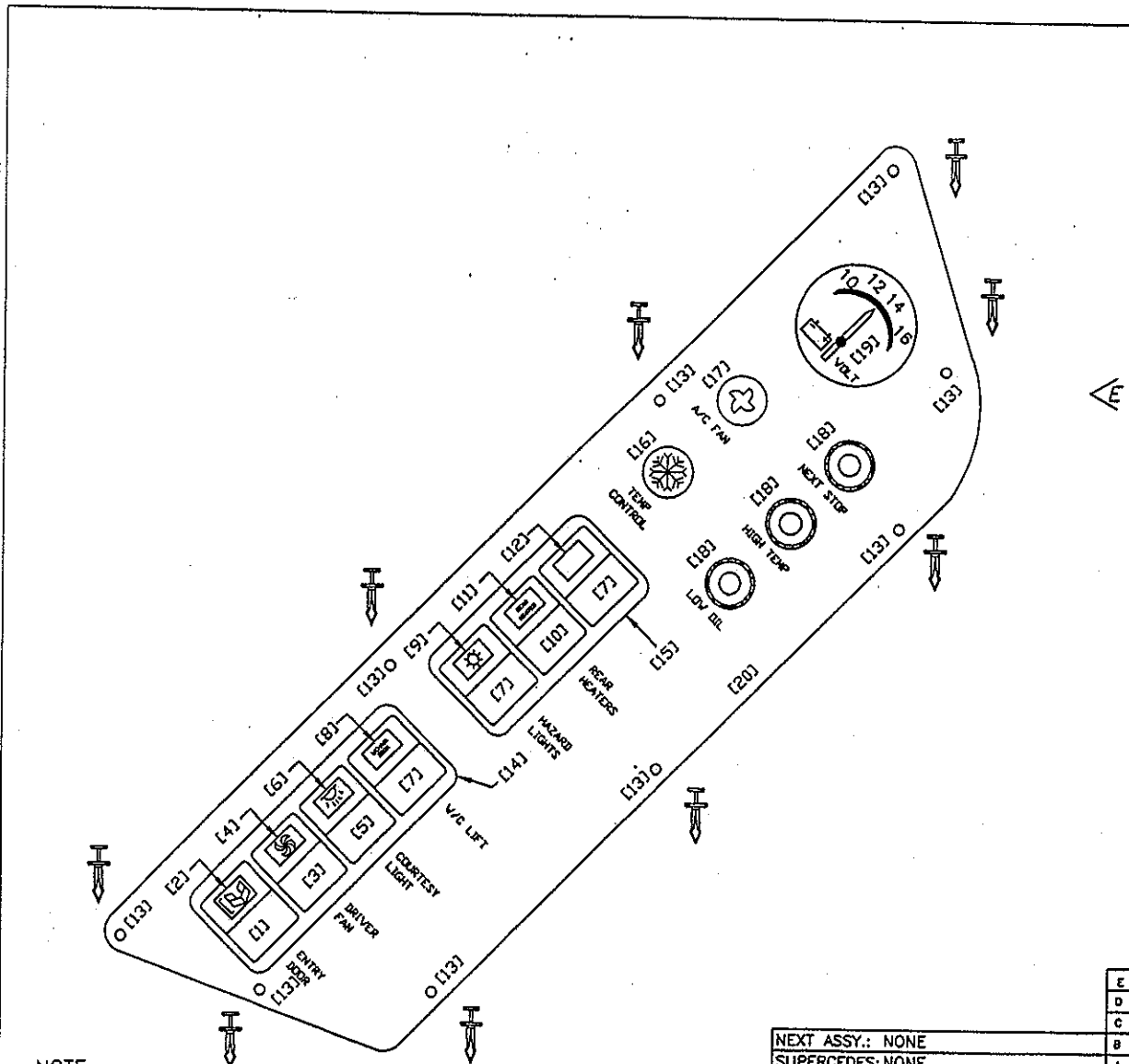
PART NUMBER
0023112

◁ B NS

ITEM	QTY.	PART NO.	DESCRIPTION
31	REF	0001343	SWITCH, DPDT ON/OFF/ON D-TOG
32	REF	68069	SWITCH, DPDT MOM ON/OFF/MOM ON BAT TOG
33	REF	68121	SWITCH, DPDT ON/ON D-TOG
34	1	75552	CONSOLE, 97 FORD ENGINE
35			

NOTE
1: NS-- NOT SHOWN ON THIS DRAWING

C DWR 04/02/87		DEL CHIPS AND ENGRAVED THESE LOCATIONS	01999	 304 AVENUE B 52 INDUSTRIAL AREA SALINA, KS 67401 ELDERADO NATIONAL CO. A THOR INDUSTRIES COMPANY
B JWW 1/3/87		CHG SCREWS TO LUG RIVETS	02227	
A DWR 01/28/87		ADD ALUM L1 FOR DRIVE AXLE AIR RIDE	02151	
- DWR 06/20/86		RELEASE TO PRODUCTION	01884	
NEXT ASSY.: NONE				
SUPERCEDES: 0020073 & 0019236				TITLE: PANEL, 97 AT/AL FRONT & REAR VIEW TOGGLE SWITCH
DO NOT SCALE DRAWING				MATL SPEC. SEE B.O.M.
MARK PART NUMBER AND REVISION ON ALL PARTS		REV. BY	DATE	DESCRIPTION
THIS DRAWING IS THE PROPERTY OF ELDERADO NATIONAL COMPANY, A THOR INDUSTRIES COMPANY AND IS NOT TO BE DUPLICATED OR USED IN ANY WAY DETRIMENTAL TO THEIR BEST INTEREST.		TOLERANCE UNLESS SPECIFIED		DRAWING INFORMATION
		FRACTIONS ± 1/16	DECIMALS .00 ± .06	ANGLES ± 1 DEG.
		DATE 09/18/88	SCALE 1=1	WT.
		DRAWN/FREED	CRD.	PART NUMBER
				0023112
				PAGE
				4 of 4



ITEM	QTY.	PART NO.	DESCRIPTION
1	1	68071	SWITCH, ROCKER DPDT MOMON/OFF/MOMON
2	1	68068-1	LENS, BLUE ELECTRIC DOOR
3	1	68072	SWITCH, ROCKER SPOT OFF/ON1/ON2
4	1	68068-6	LENS, BLUE FAN
5	1	68067	SWITCH, ROCKER SPST ON/ON
6	1	68068-2	LENS, BLUE COURTESY LIGHT
7	3	68073	SWITCH, ROCKER SPST ON/OFF
8	1	68068-11	LENS, BLUE WHEELCHAIR
9	1	68068-14	LENS BLUE LIGHT
10	1	68072	SWITCH, ROCKER SPST OFF/ON1/ON2
11	1	68068-4	LENS, BLUE REAR HEATER
12	1	68068-20	LENS, BLUE BLANK
13	9	0023527	CONSOLE MTG RIVET
14	1	39001	BEZEL, 4-GANG FLSTMNT W/CLIPS
15	1	39004	BEZEL, 3-GANG FLSTMNT W/CLIPS
16	REF	120427	SWITCH, THERMOSTAT
17	REF	124860	SWITCH, ROTARY 3-SPEED
18	REF	121710	BUZZER, BRAKE ALARM
19	REF	68313	METER, VOLT #9154073
20	REF	0019248	PANEL, INSTRUMENT W/ROCKER SWITCHES
21	-	-	-
22	-	-	-
23	-	-	-
24	-	-	-
25	-	-	-

NOTE:
 1. [Y] WHERE Y REFERS TO THE B.O.M. ITEM NUMBER.
 2. ALL ELECTRICAL CHASSIS GROUND CONNECTIONS WILL USE STAR WASHERS.

NEXT ASSY.: NONE
 SUPERCEDES: NONE
DO NOT SCALE DRAWING
 MARK PART NUMBER AND REVISION ON ALL PARTS

THIS DRAWING IS THE PROPERTY OF EL Dorado NATIONAL COMPANY, A THOR INDUSTRIES COMPANY AND IS NOT TO BE DUPLICATED OR USED IN ANY WAY DETRIMENTAL TO THEIR BEST INTEREST.

E	JNW	3/28/92	CHANGED SCREWS TO RIVETS	02227
D	DWR	04/25/93	CHG BOM FORMAT	00258
C	DWR	09/25/92	CHG B.O.M. #19	00101
B	DWR	04/21/92	CHG B.O.M. #10	00068
A	RS	04/20/92	CHANGE ITEM #10	00062
-	DWR	04/01/92	RELEASE TO PRODUCTION	00034
REV.	BY	DATE	DESCRIPTION	ER NUMBER

ENG

304 AVENUE B
 SO. INDUSTRIAL AREA
 SALINA, KS. 67401

EL DORADO NATIONAL CO. A THOR INDUSTRIES COMPANY

TITLE:
PANEL, VERT ROCKER SWITCHES #4601

MAFL SPEC.
 SEE B.O.M.

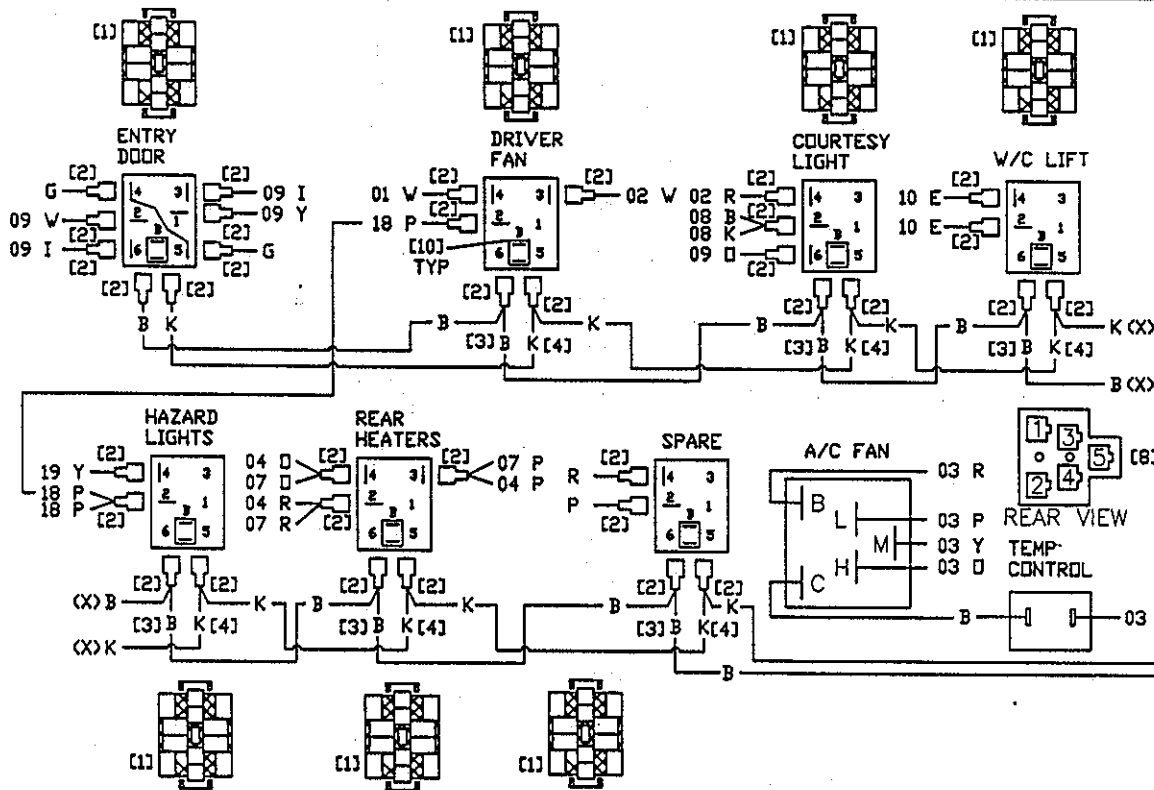
DRAWN: E.C.D. CKD: []
 DATE: 07/30/92 SIZE: B
 SCALE: 1=1 WT: []

PART NUMBER
0019289

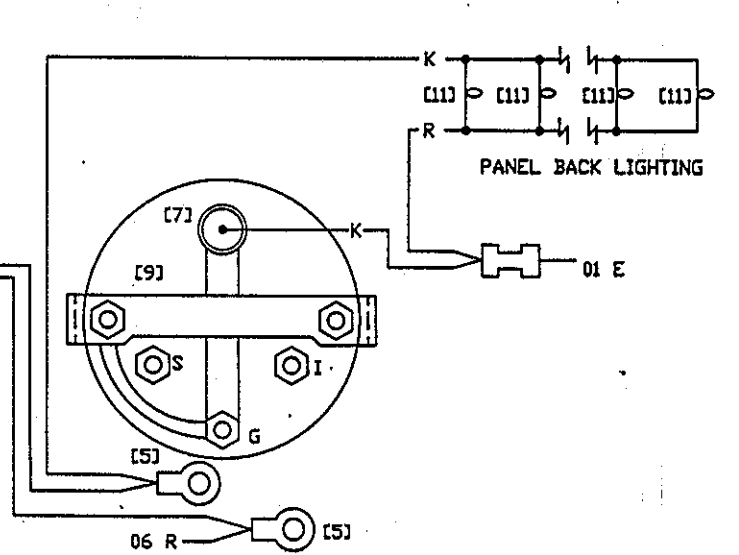
TOLERANCE UNLESS SPECIFIED

FRACTIONS ± 1/16
 DECIMALS .00 ± .04
 ANGLES ± 1 DEG.

THIRD ANGLE



ITEM	QTY.	PART NO.	DESCRIPTION
1	7	68077	CONN, EURAMTEC SWITCH
2	35	62055	CONN, 3/16" FEM PUSHON
3	3.50	69755	WIRE, GXL 16 AWG BLUE B 0.50'
4	3.50	69751	WIRE, GXL 16 AWG BLACK K 0.50'
5	2	62160	CONN, RING 10-12 AWG X #10 INS
6	1	61680	CONN, BUTT 10-12 AWG INS
7	REF	61197	BULB, #53X LIGHT
8	REF	62750	CONN, 5-CIRCUIT A/C
9	REF	68313	METER, VOLT #9154073
10	REF	61191	BULB, EURAMTEC REPLACEMENT
11	REF	61194	BULB, #74 LIGHT



NOTE:
 1. [Y] WHERE Y REFERS TO THE B.O.M. ITEM NUMBER.
 2. ALL ELECTRICAL CHASSIS GROUND CONNECTIONS WILL USE STAR WASHERS.

NEXT ASSY.: NONE
 SUPERCEDES: NONE
 DO NOT SCALE DRAWING
 MARK PART NUMBER AND REVISION ON ALL PARTS
 THIS DRAWING IS THE PROPERTY OF ELDORADO NATIONAL COMPANY, A THOR INDUSTRIES COMPANY AND IS NOT TO BE DUPLICATED OR USED IN ANY WAY DETRIMENTAL TO THEIR BEST INTEREST.

F	DWR	12/17/83	CHG WIRES ON MOTOGUARD & LOW OIL BUZZER/LIGHTS	00483
E	DWR	08/08/83	ADDED PAGE 2	00319
D	DWR	06/25/83	CHG BOW FORMAT	00258
C	DWR	10/08/82	CHG QTY B.O.M. #5 ADD B.O.M. #6 CHG B.O.M. #7 DEL B.O.M. #6 & 7	00107
B	DWR	09/25/82	RELEASE TO PRODUCTION	00101
-	DWR	08/03/82	RELEASE TO PRODUCTION	00034
REV.	BY	DATE	DESCRIPTION	ER NUMBER
TOLERANCE UNLESS SPECIFIED				
FRACTIONS ± 1/16				
DECIMALS .00 ± .06				
ANGLES ± 1 DEG.				
THIRD ANGLE				

ENC 304 AVENUE B
 SO. INDUSTRIAL AREA
 SALINA, KS. 67401

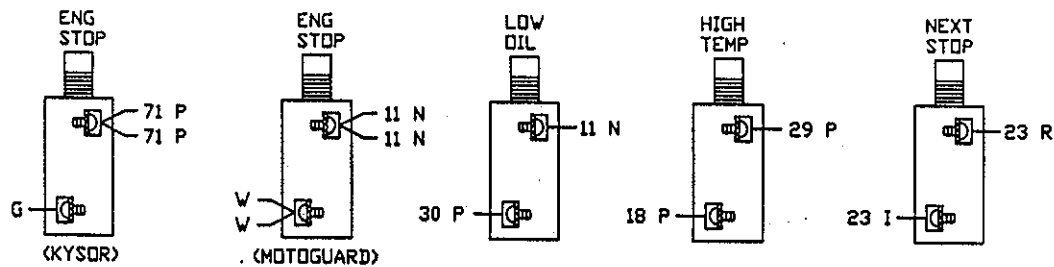
ELDORADO NATIONAL CO. A THOR INDUSTRIES COMPANY

TITLE:
 PANEL, REAR
 ROCKER SWITCHES #4601

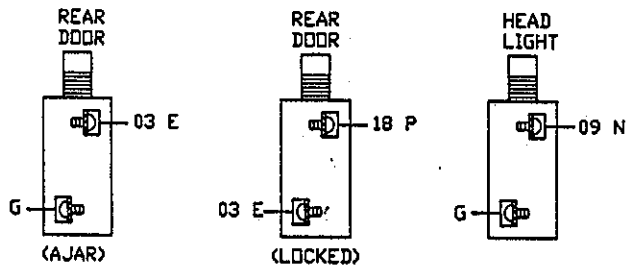
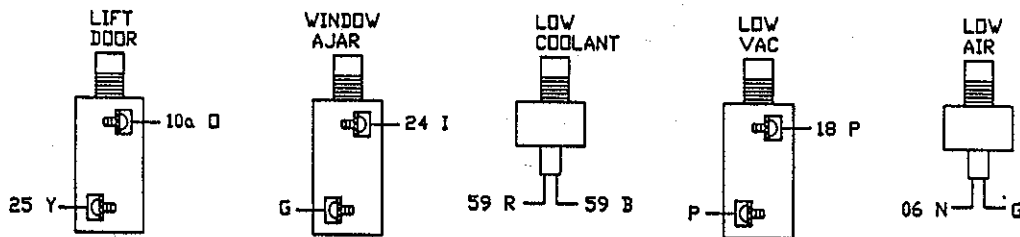
MAT'L SPEC.
 SEE B.O.M.

DRAWN: R E E CKD.:
 DATE: 07/31/82 SIZE: B
 SCALE: 1=1 WT:

PART NUMBER
0019304 1/2



ITEM	QTY.	PART NO.	DESCRIPTION
12	-	-	-
13	-	-	-
14	-	-	-
15	-	-	-
16	-	-	-
17	-	-	-
18	-	-	-
19	-	-	-
20	-	-	-



NOTE:
 1. [Y] WHERE Y REFERS TO THE B.O.M. ITEM NUMBER.
 2. ALL ELECTRICAL CHASSIS GROUND CONNECTIONS WILL USE STAR WASHERS.

NEXT ASSY.: NONE
 SUPERCEDES: NONE
DO NOT SCALE DRAWING
 MARK PART NUMBER AND REVISION ON ALL PARTS

THIS DRAWING IS THE PROPERTY OF ELDERADO NATIONAL COMPANY, A THOR INDUSTRIES COMPANY AND IS NOT TO BE DUPLICATED OR USED IN ANY WAY DETRIMENTAL TO THEIR BEST INTEREST.

REV.	BY	DATE	DESCRIPTION	ER NUMBER
F	DWR	12/17/83	CHG WIRES ON MOTOGUARD & LOW OIL BUZZER/LIGHTS ADDED PAGE 2	00483
E	DWR	08/08/83		00319
D	DWR	08/25/83	CHG BOM FORMAT	00258
C	DWR	10/06/82	CHG QTY B.O.M. #5 ADD B.O.M. #6	00107
B	DWR	08/25/82	CHG B.O.M. #5 DEL B.O.M. #6 & 7	00101
-	DWR	08/03/82	RELEASE TO PRODUCTION	00034

ENG

304 AVENUE B
 SO. INDUSTRIAL AREA
 SALINA, KS. 67401

ELDERADO NATIONAL CO. A THOR INDUSTRIES COMPANY

TITLE:
 PANEL, REAR
 ROCKER SWITCHES #4601

MAT'L SPEC.
 SEE B.O.M.

DRAWN: R.E.D. CKD:
 DATE: 07/31/82 SIZE: B PART NUMBER
 SCALE: 1=4 WT.: 0019304 2/2

TOLERANCE UNLESS SPECIFIED

FRACTIONS	± 1/16
DECIMALS	.00 ± .06
ANGLES	± 1 DEG.

THIRD ANGLE