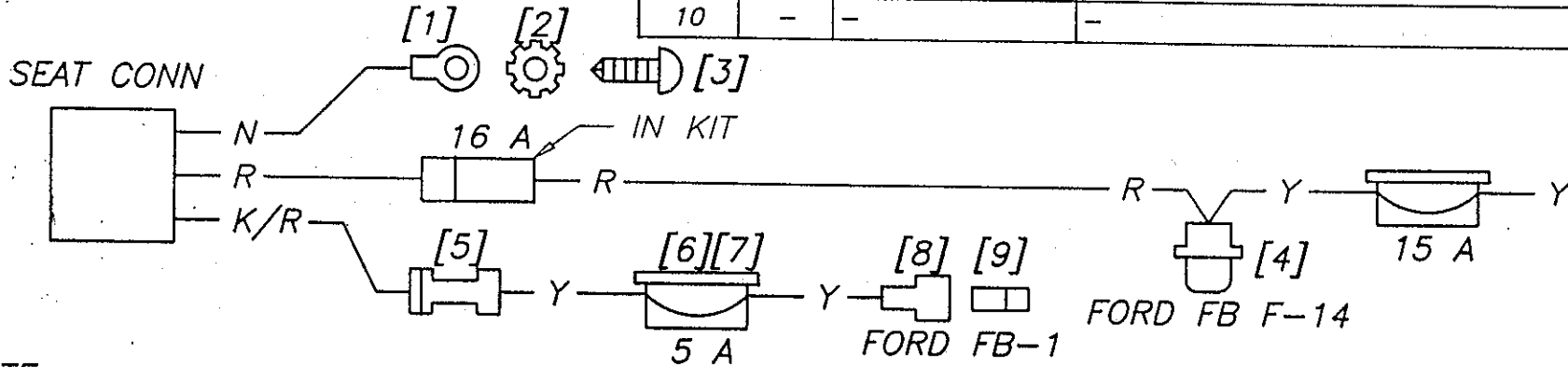


## **SECTION 29 - ELECTRIC SEAT**


0021874      SCHEMATIC, ELECTRIC SEAT (RECARO)

ITEM	QTY.	PART NO.	DESCRIPTION
1	1	62320	CONN, RING 14-16 AWG X #10 INS
2	1	0001305	WASHER, #8 EXT STAR
3	1	116920	SCREW, TEK #8 X 1/2 PH PHIL
4	1	62560	CONN, MAL PUSHON 10-12 AWG INS
5	1	61811	CONN, BUTT 14-16/18-22 AWG INS
6	1	63241	HOLDER, BLADE FUSE
7	1	63066	FUSE, 5A BLADE
8	1	62041	CONN, FEM PUSH ON 14-16 AWG ENC
9	1	61990	TERM, MAL BLADE FUSE DISCONNECT
10	-	-	-



**NOTE**

- [Y] WHERE Y REFERS TO THE B.O.M. ITEM NUMBER.
- ALL ELECTRICAL CHASSIS GROUND CONNECTIONS WILL USE STAR WASHERS.
- ALL EXTERIOR WIRING CONNECTIONS WILL BE COVERED WITH MASTIC LINED HEAT SHRINK TUBING.

NEXT ASSY.: NONE						 <p>304 AVENUE B SO. INDUSTRIAL AREA SALINA, KS. 67401</p>
SUPERCEDES: NONE						
DO NOT SCALE DRAWING	-	DWR	11/18/94	RELEASE TO PRODUCTION	00984	TITLE: SCHEMATIC, ELECTRIC SEAT (RECARO)
MARK PART NUMBER AND REVISION ON ALL PARTS	REV.	BY	DATE	DESCRIPTION	ER NUMBER	MAT'L SPEC. SEE B.O.M.
THIS DRAWING IS THE PROPERTY OF ELDORADO NATIONAL COMPANY, A THOR INDUSTRIES COMPANY AND IS NOT TO BE DUPLICATED OR USED IN ANY WAY DETRIMENTAL TO THEIR BEST INTEREST.	TOLERANCE UNLESS SPECIFIED			DRAWING INFORMATION		PART NUMBER
	FRACTIONS ± 1/16			DRAWN: REED	CKD.:	0021874
	DECIMALS .00 ± .06			DATE: 11/14/94	SIZE: A	
ANGLES ± 1 DEG.			SCALE: NTS	WT.:		
						PAGE
						1 OF 1