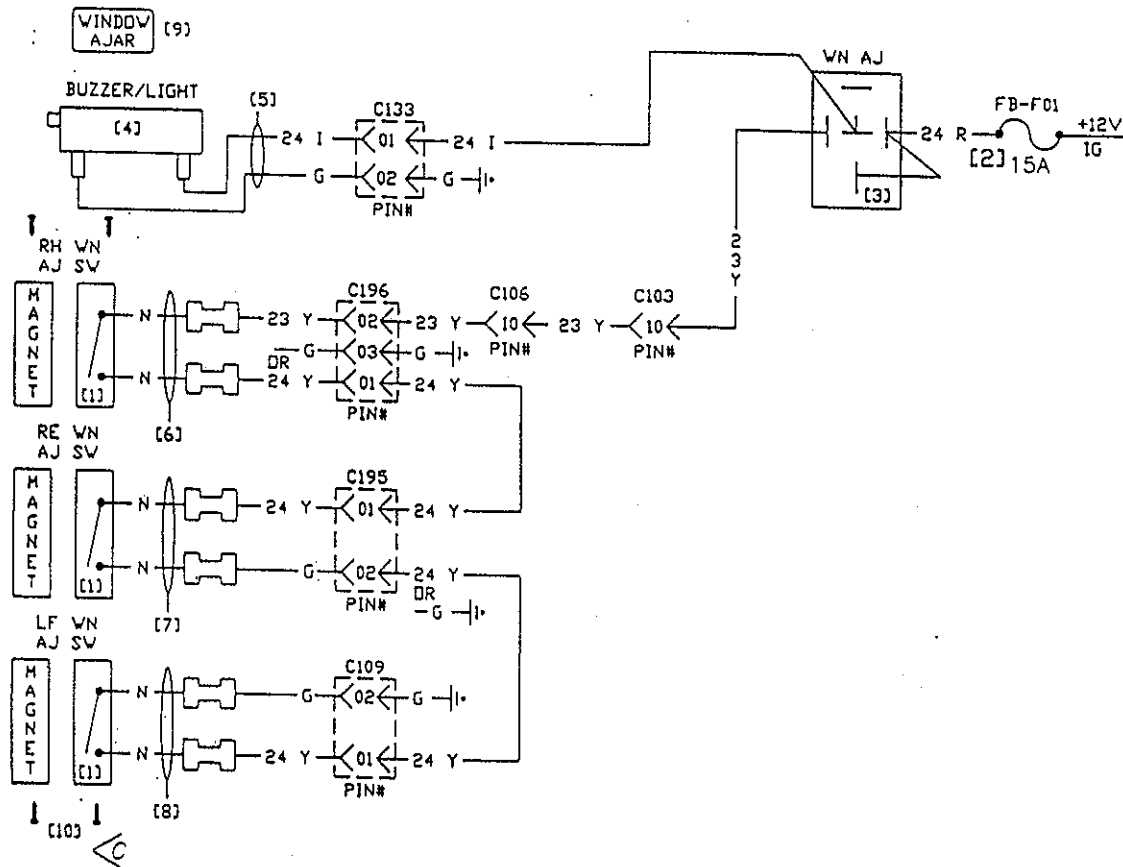


## SECTION 19 - DRIVER WARNING

0016770	SCHEMATIC, WINDOW AJAR WITH BUZZER/LIGHT
0016771	SCHEMATIC, WINDOW AJAR WITH BUZZER
0024718	BRAKE WARNING BUZZER (NY DOT)
0023225	SCHEMATIC, AUDIBLE SONIC REVERSE ALARM (OPTIC)
0019475	SCHEMATIC, '92 HEADLIGHT WARNING
0021518	SCHEM, 3-TONE AUDIBLE W/ LIGHTS SONIC REVERSE ALARM
0020166	SCHEMATIC, SONIC REVERSE ALARM
0020804	VACUUM, ASM GAS & DSL
0023955	SCHEMATIC, ROOF HATCH ALARM



ITEM	QTY.	PART NO.	DESCRIPTION
1	3	67685	SWITCH, SPST NO MAGNETIC
2	1	63069	FUSE, 15A BLADE
3	1	68323	RELAY, 12V SPST WITH MOUNT
4	1	121710	ALARM, BUZZER AND LIGHT
5	1	0019142	HARNESS, WINDOW AJAR BUZZER & LIGHT
6	1	0019143	HARNESS, RH WINDOW AJAR SWITCH
7	1	0019144	HARNESS, REAR WINDOW AJAR SWITCH
8	1	0019145	HARNESS, LH WINDOW AJAR SWITCH
9	1	70716	DECAL, 'WINDOW AJAR'
10	12	116040	SCREW, WOOD #5 1/2 OVH PHL ANT

NOTE:

1. [Y] WHERE Y REFERS TO THE B.O.M. ITEM NUMBER.
2. ALL ELECTRICAL CHASSIS GROUND CONNECTIONS WILL USE STAR WASHERS.
3. FB - FUSE BLOCK
4. THE LAST WINDOW AJAR SWITCH IS GROUNDED.

NEXT ASSY.: NONE

SUPERCEDES: NONE

DO NOT SCALE DRAWING

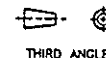
MARK PART NUMBER AND REVISION ON ALL PARTS

THIS DRAWING IS THE PROPERTY OF ELDERADO NATIONAL COMPANY, A THOR INDUSTRIES COMPANY AND IS NOT TO BE DUPLICATED OR USED IN ANY WAY DETRIMENTAL TO THEIR BEST INTEREST.

REV.	BY	DATE	DESCRIPTION	ER NUMBER
C	AJD	10/24/91	ADD ITEM #10	00264
B	DWR	07/20/91	CHG B.O.M. FORUM	00285
A	DWR	07/10/91	CHG B.O.M. #3	00007
-	DWR	06/14/91	RELEASE TO PRODUCTION	

TOLERANCE UNLESS SPECIFIED

FRACTIONS ± 1/16  
DECIMALS .00 ± .04  
ANGLES ± 1 DEG.



304 AVENUE B  
SO. INDUSTRIAL AREA  
SAUNA, KS. 67401

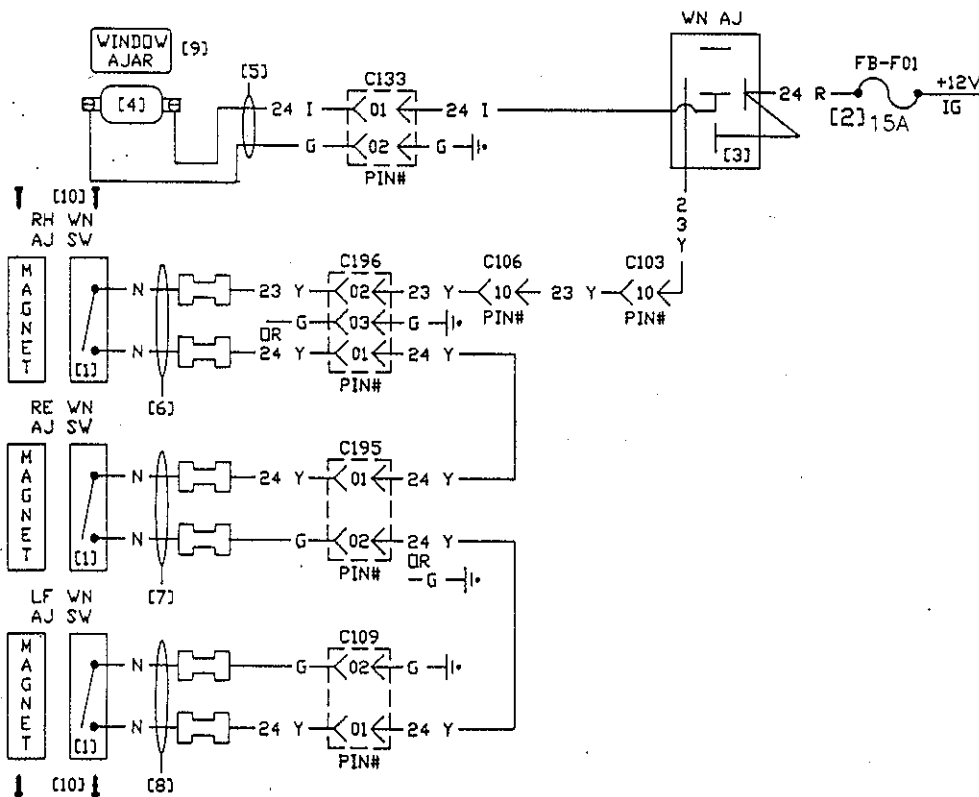
ELDERADO NATIONAL CO. A THOR INDUSTRIES COMPANY

TITLE:  
SCHEMATIC, WINDOW AJAR  
WITH BUZZER/LIGHT #7186

MATL. SPEC.  
SEE B. O. M.

DATE: 08/16/91  
SCALE: 1-4

PART NUMBER  
0016770 1/1



ITEM	QTY.	PART NO.	DESCRIPTION
1	3	67685	SWITCH, SPST NO MAGNETIC
2	1	63069	FUSE, 15A BLADE
3	1	68323	RELAY, 12V SPDT WITH MOUNT
4	1	61440	ALARM, PM BUZZER
5	1	0019142	HARNESS, WINDOW AJAR BUZZER & LIGHT
6	1	0019143	HARNESS, RH WINDOW AJAR SWITCH
7	1	0019144	HARNESS, REAR WINDOW AJAR SWITCH
8	1	0019145	HARNESS, LH WINDOW AJAR SWITCH
9	1	70716	DECAL, 'WINDOW AJAR'
10	12	116040	SCREW, WOOD #5 1/2 OVH PHL ANT

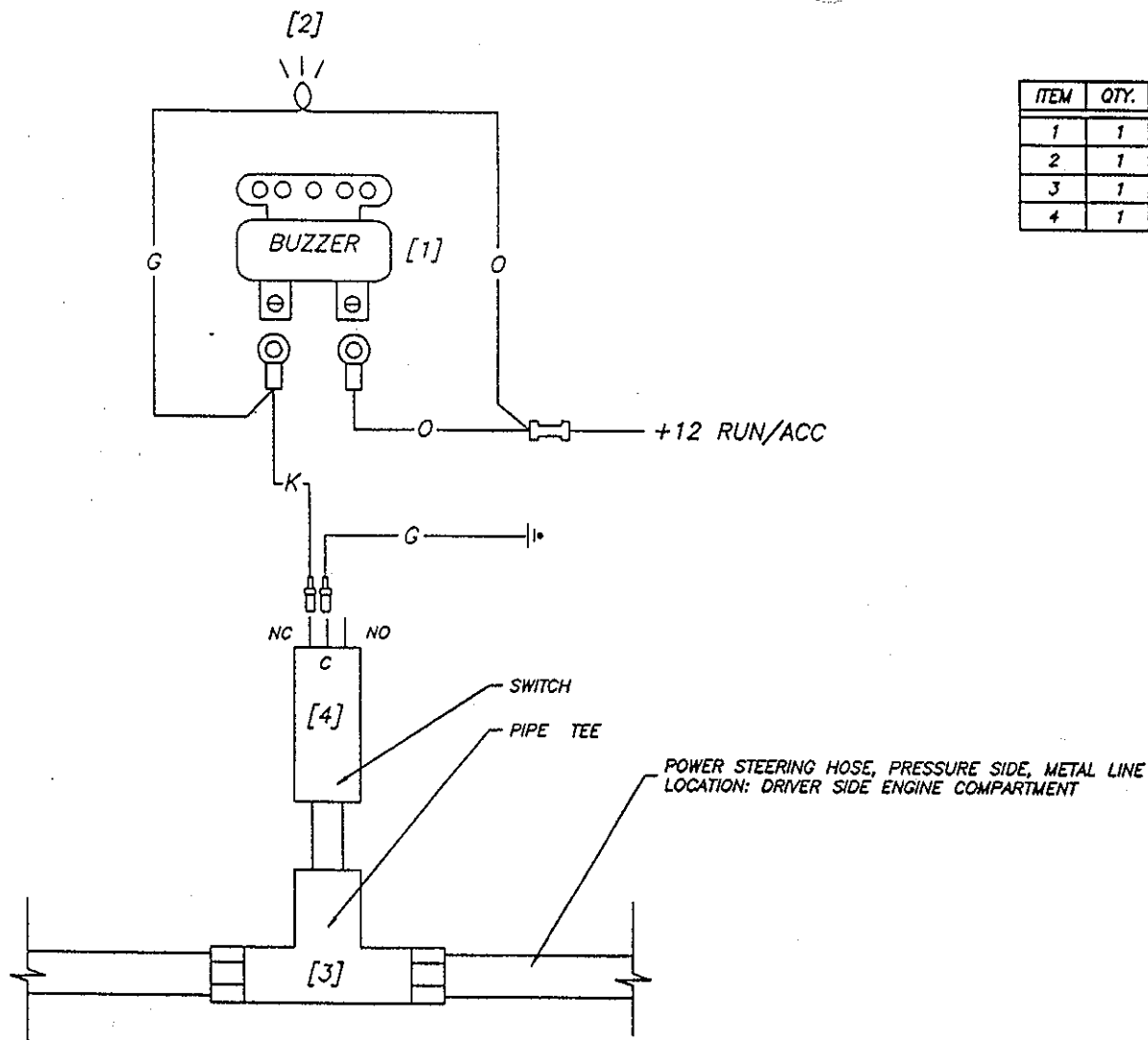
- NOTE:
- [Y] WHERE Y REFERS TO THE B.O.M. ITEM NUMBER.
  - ALL ELECTRICAL CHASSIS GROUND CONNECTIONS WILL USE STAR WASHERS.
  - FB - FUSE BLOCK
  - THE LAST WINDOW AJAR SWITCH IS GROUNDED.

REV.	BY	DATE	DESCRIPTION	ER NUMBER
C	AJD	11/1/94	ADD ITEM #10 UPDATE DWG	00984
B	DWR	07/26/93	CHG B.O.M. FORMAT	00285
A	DWR	07/10/92	CHG B.O.M. #3 ADDED B.O.M. #S 2,3 & 4	00007
-	DWR	6/15/91	RELEASE TO PRODUCTION	

NEXT ASSY.: NONE		SUPERCEDES: NONE	
DO NOT SCALE DRAWING			
MARK PART NUMBER AND REVISION ON ALL PARTS			
THIS DRAWING IS THE PROPERTY OF ELDORADO NATIONAL COMPANY, A THOR INDUSTRIES COMPANY AND IS NOT TO BE DUPLICATED OR USED IN ANY WAY DETRIMENTAL TO THEIR BEST INTEREST.		TOLERANCE UNLESS SPECIFIED	
FRACTIONS ± 1/16		DRAWING INFORMATION	
DECIMALS .00 ± .06		DATE: 6/15/91	
ANGLES ± 1 DEG.		SCALE: NTS	

		304 AVENUE B SO. INDUSTRIAL AREA SALINA, KS. 67401	
ELDORADO NATIONAL CO. A THOR INDUSTRIES COMPANY			
TITLE: SCHEMATIC, WINDOW AJAR WITH BUZZER #7185			
MATERIAL SPEC. SEE B.O.M.			
PART NUMBER		PAGE	
0016771		1 of 1	

0024718



ITEM	QTY.	PART NO.	DESCRIPTION
1	1	61441	BUZZER, 12V
2	1	65316	LIGHT, RED INDICATOR
3	1	122827	TEE, 3/8 TUBE X 3/8 TUBE X 1/4 NPTF
4	1	63449	SWITCH, BRAKE PRESSURE

NEXT ASSY.: NONE

SUPERCEDES: NONE

DO NOT SCALE DRAWING

MARK PART NUMBER AND REVISION ON ALL PARTS

THIS DRAWING IS THE PROPERTY OF ELDORADO NATIONAL COMPANY, A THOR INDUSTRIES COMPANY AND IS NOT TO BE DUPLICATED OR USED IN ANY WAY DETRIMENTAL TO THEIR BEST INTEREST.

REV.	BY	DATE	DESCRIPTION	ER NUMBER
-	JWW	6/1/98	RELEASE TO PRODUCTION	03453

TOLERANCE UNLESS SPECIFIED		DRAWING INFORMATION	
FRACTIONS	± 1/16	DRAWN: WARD	CKD.:
DECIMALS	.00 ± .06	DATE: 6/1/98	SIZE: A
ANGLES	± 1 DEG.	SCALE: 1/2	WT.:



304 AVENUE B  
SO. INDUSTRIAL AREA  
SALINA, KS. 67401

ELDORADO NATIONAL CO. A THOR INDUSTRIES COMPANY

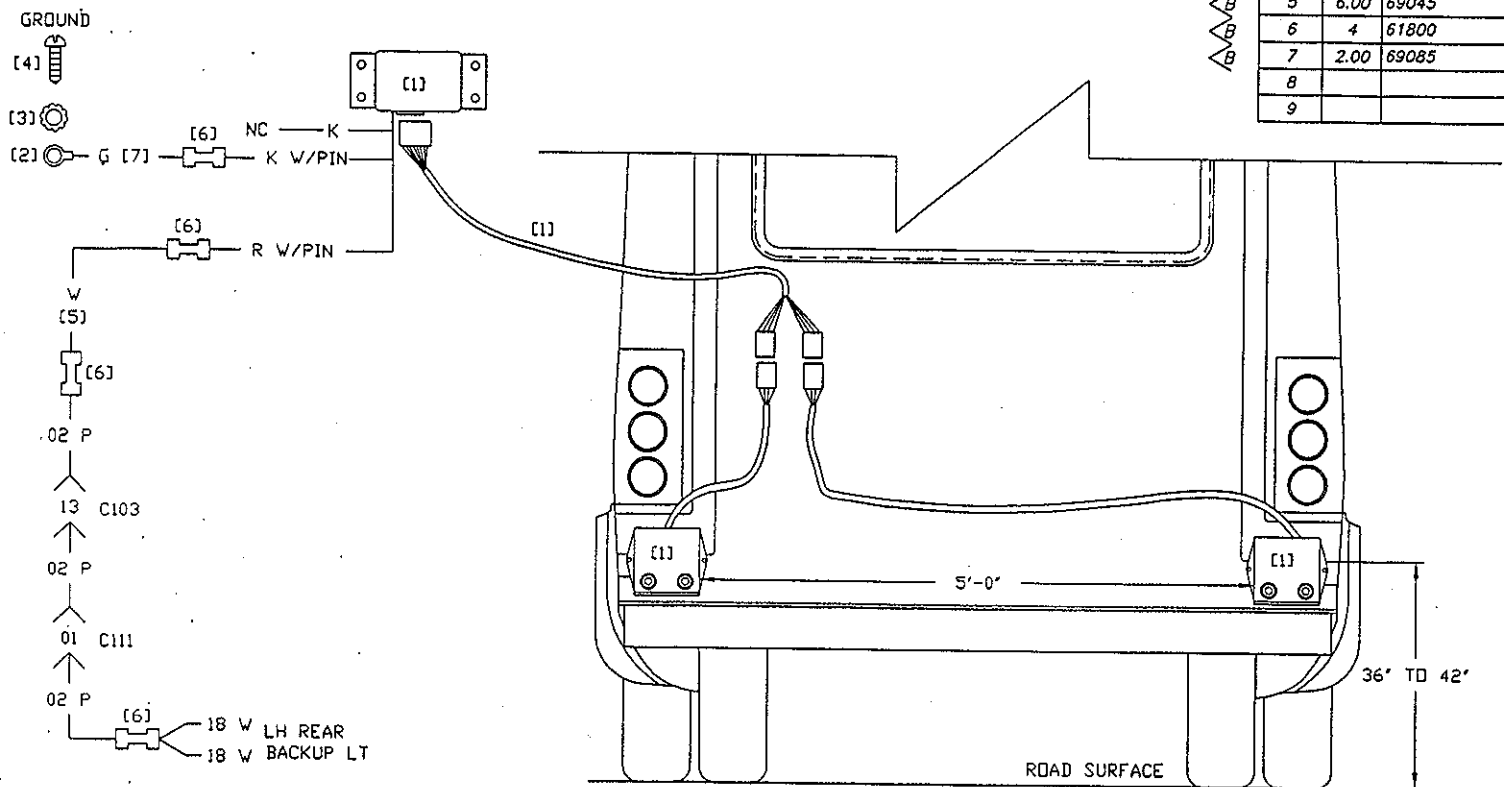
TITLE:  
BRAKE WARNING BUZZER  
NYDOT

MAT'L SPEC.

PART NUMBER  
0024718

PAGE  
1 of 1

ITEM	QTY.	PART NO.	DESCRIPTION
1	1	60022	KIT, AUDIBLE ALARM SONIC REVERSE
2	1	0001138	CONN, RING 14-16 AWG X #8 INS
3	1	0001305	WASHER, #8 EXT STAR
4	1	116920	SCREW, TEK #8 X 1/2 PH PHILLIPS
5	6.00	69045	WIRE, GXL 14 AWG WHITE W 1 Ø 72.00"
6	4	61800	CONN, BUTT 14-16 AWG INS
7	2.00	69085	WIRE, GXL 14 AWG GREEN G 1 Ø 24.00"
8			
9			

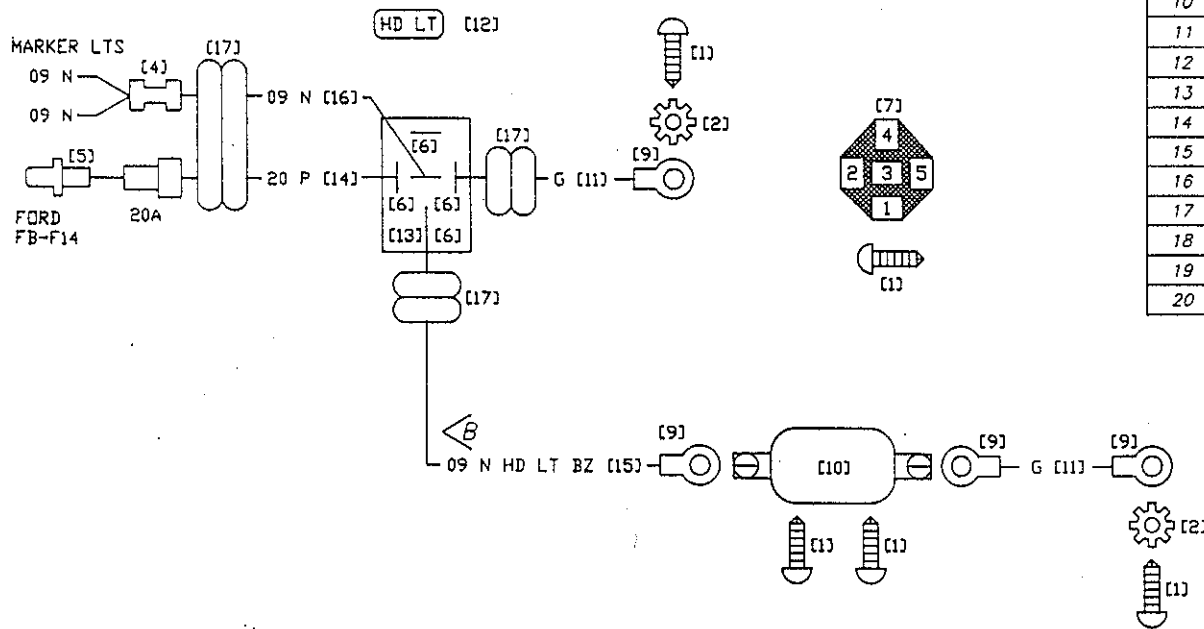


**NOTE**

- [Y] WHERE Y REFERS TO THE B.O.M. ITEM NUMBER.
- ALL ELECTRICAL CHASSIS GROUND CONNECTIONS WILL USE STAR WASHERS.
- ALL EXTERIOR WIRING CONNECTIONS WILL BE COVERED WITH MASTIC LINED HEAT SHRINK TUBING.
- NC = NO CONNECTION


NEXT ASSY.: NONE		B	DWR	05/09/91	USE 02P WIRE FOR ALARM ACTIVATION	02540	ELDORADO NATIONAL CO. A THOR INDUSTRIES COMPANY
SUPERCEDES: NONE		A	DWR	02/28/91	ADD OPTION # TO TITLE	02248	
DO NOT SCALE DRAWING		-	BJM	10/31/90	RELEASE TO PRODUCTION	01979	TITLE: SCHEMATIC, AUDIBLE SONIC REVERSE ALARM (OPTIC) #7108
MARK PART NUMBER AND REVISION ON ALL PARTS		REV.	BY	DATE	DESCRIPTION	QR NUMBER	MAT'L SPEC. SEE B.O.M.
THIS DRAWING IS THE PROPERTY OF ELDORADO NATIONAL COMPANY, A THOR INDUSTRIES COMPANY AND IS NOT TO BE DUPLICATED OR USED IN ANY WAY DETRIMENTAL TO THEIR BEST INTEREST.		TOLERANCE UNLESS SPECIFIED:		DRAWING INFORMATION			
		FRACTIONS ± 1/16		DRAWN: GULLAVI ERD.			
		DECIMALS .00 ± .05		DATE: 10/31/90			
		ANGLES ± 1 DEG.		SCALE: 1/4"			
				PART NUMBER 0023225			
				PAGE 1 of 1			



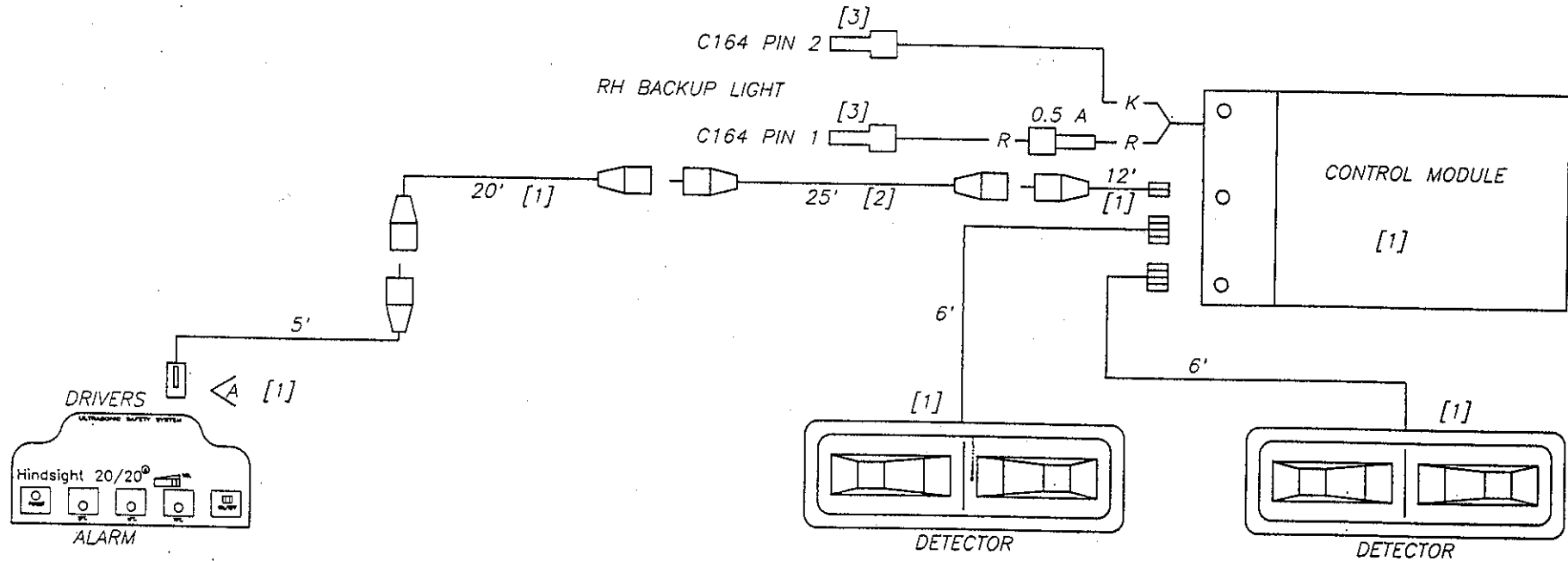


ITEM	QTY.	PART NO.	DESCRIPTION
1	5	116920	SCREW, TEK #8 X 1/2" PH PHIL
2	2	0001305	WASHER, #8 EXT STAR
3	-	-	-
4	1	61680	CONN, BUTT 10-12 AWG INS
5	1	62560	CONN, MALE PUSHON 10-12 AWG INS
6	4	68467	TERM, AMP 14-16 AWG RELAY CONN
7	1	69860	CONN, AMP RELAY SOCKET
8	-	-	-
9	4	62320	CONN, RING 14-16 AWG X #10 INS
10	1	61440	ALARM ,PM BUZZER
11	6.00	69785	WIRE, GXL 16 AWG GREEN G 2 @ 3.00'
12	0.007	E51398	EMBOSSING TAPE BLACK 3/8" W 'HD LT'
13	1	68323	RELAY, 12V SPDT WITH MOUNT
14	10.00	69075	WIRE, GXL 14 AWG PURPLE 20P 10.00'
15	3.00	69745	WIRE, GXL 16 AWG WHITE 04W 3.00'
16	10.00	69795	WIRE, GXL 16 AWG BROWN 09N 10.00'
17	16.00	69850	FLEXLOOM, 1/4" SLIT 16.00'
18	-	-	-
19	-	-	-
20	-	-	-

NOTE:  
 1. [Y] WHERE Y REFERS TO THE B.O.M. ITEM NUMBER.  
 2. ALL ELECTRICAL CHASSIS GROUND CONNECTIONS WILL USE STAR WASHERS.

NEXT ASSY.: NONE		B	AJD	11/1/94	CHG WIRE UPDATE DWG	00664	 304 AVENUE B SO. INDUSTRIAL AREA SALINA, KS. 67401 EL Dorado NATIONAL CO. A THOR INDUSTRIES COMPANY
SUPERCEDES: NONE		A	DWR	07/21/83	CHG BOM FORMAT DEL BOM # 3 & R: CHG BOM #6,7 & 13	00285	
DO NOT SCALE DRAWING		-	DWR	10/10/80	RELEASE TO PRODUCTION	00104	
MARK PART NUMBER AND REVISION ON ALL PARTS		REV.	BY	DATE	DESCRIPTION	REV NUMBER	
THIS DRAWING IS THE PROPERTY OF EL Dorado NATIONAL COMPANY, A THOR INDUSTRIES COMPANY AND IS NOT TO BE DUPLICATED OR USED IN ANY WAY DETRIMENTAL TO THEIR BEST INTEREST.		TOLERANCE UNLESS SPECIFIED		DRAWING INFORMATION		MATERIAL SPEC. SEE B.O.M.	
		FRACTIONS ± 1/16		DRAWN: F.E.E.D. CKD:		PART NUMBER	
		DECIMALS .00 ± .06		DATE: 10/10/92		0019475	
		ANGLES ± 1 DEG.		SCALE: NTS		PAGE 1 of 1	

ITEM	QTY.	PART NO.	DESCRIPTION
1	1	60021	ALARM, AUDIBLE SONIC REVERSE
2	1	60021-1	CABLE, EXT AUBIDLE SONIC REVERSE
3	2	62769	SOCKET, 10-12 AWG REEL
4	-	-	-
5	-	-	-

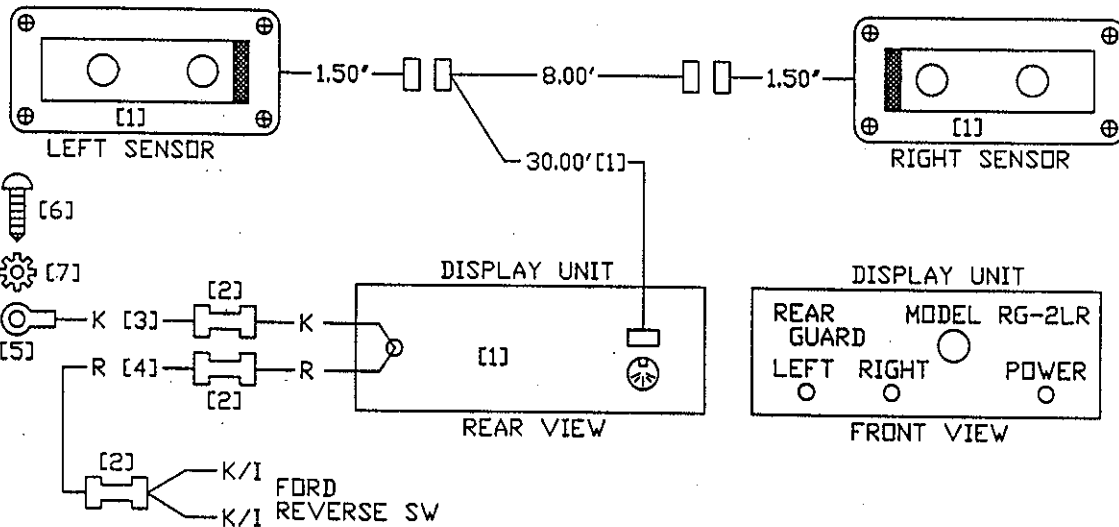


**NOTE**

1. [Y] WHERE Y REFERS TO THE B.O.M. ITEM NUMBER.
2. ALL ELECTRICAL CHASSIS GROUND CONNECTIONS WILL USE STAR WASHERS.
3. ALL EXTERIOR WIRING CONNECTIONS WILL BE COVERED WITH MASTIC LINED HEAT SHRINK TUBING.
4. 1st UNIT 7817.
5. 1st UNIT 8135 WITH DRIVERS ALARM.

NEXT ASSY.: NONE					
SUPERCEDES: NONE		A	AJD	5/22/94	SHOW MP'S CHGS. REPLACE ALARM
DO NOT SCALE DRAWING		-	DWR	06/01/94	RELEASE TO PRODUCTION
MARK PART NUMBER AND REVISION ON ALL PARTS		REV.	BY	DATE	DESCRIPTION
THIS DRAWING IS THE PROPERTY OF ELDERADO NATIONAL COMPANY, A THOR INDUSTRIES COMPANY AND IS NOT TO BE DUPLICATED OR USED IN ANY WAY DETRIMENTAL TO THEIR BEST INTEREST.		TOLERANCE UNLESS SPECIFIED		DRAWING INFORMATION	
		FRACTIONS ± 1/16		DRAWN: REED   CKD:	
		DECIMALS .00 ± .06		DATE: 06/01/94	
		ANGLES ± 1 DEG.		SCALE: NTS	
				ER NUMBER	
				MATERIAL SPEC.	
				SEE B.O.M.	
				PART NUMBER	
				0021518	
				PAGE	
				1 of 1	

**ENC**  
 304 AVENUE B  
 501 INDUSTRIAL AREA  
 SALINA, KS. 67401  
 ELDERADO NATIONAL CO. A THOR INDUSTRIES COMPANY



ITEM	QTY.	PART NO.	DESCRIPTION
1	1	60020	ALARM, AUDIBLE & VISUAL SONIC REVERSE
2	3	61800	CONN, BUTT 14-16 AWG INS
3	3.00	69050	WIRE, GXL 14 AWG BLACK K 3.00'
4	5.00	69065	WIRE, GXL 14 AWG RED R 5.00'
5	1	62320	CONN, RING 14-16 AWG X #10 INS
6	1	116920	SCREW, TEK #8 X 1/2" PH PHIL
7	1	0001305	WASHER, #8 EXT STAR
8	-	-	-
9	-	-	-
10	-	-	-

**OPERATION:**

1. THE UNIT IS POWERED WHEN THE GEAR SELECTOR IS PLACED IN 'R'.
2. THE YELLOW POWER LED ILLUMINATES AND A SINGLE 'BEEP' IS HEARD.
3. WHEN AN OBJECT IS WITH IN 8' TO 4' THE RIGHT AND/OR LEFT LED IS/ARE GREEN AND AN INTERMITTENT TONE IS HEARD.
4. WHEN AN OBJECT IS WITHIN 4' TO 1' THE RIGHT AND/OR LEFT LED IS/ARE RED AND A CONTINUOUS TONE IS HEARD.

**NOTE:**

1. [Y] WHERE Y REFERS TO THE B.O.M. ITEM NUMBER.
2. ALL ELECTRICAL CHASSIS GROUND CONNECTIONS WILL USE STAR WASHERS.

NEXT ASSY.: NONE  
 SUPERCEDES: NONE  
 DO NOT SCALE DRAWING  
 MARK PART NUMBER AND REVISION ON ALL PARTS

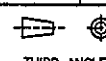
REV.	BY	DATE	DESCRIPTION	CR. NUMBER
A	DWR	07/21/93	CHG B.O.M. FORMAT	00285
-	DWR	01/08/93	RELEASE TO PRODUCTION	00158



304 AVENUE B  
 SO. INDUSTRIAL AREA  
 SALINA, KS. 67401

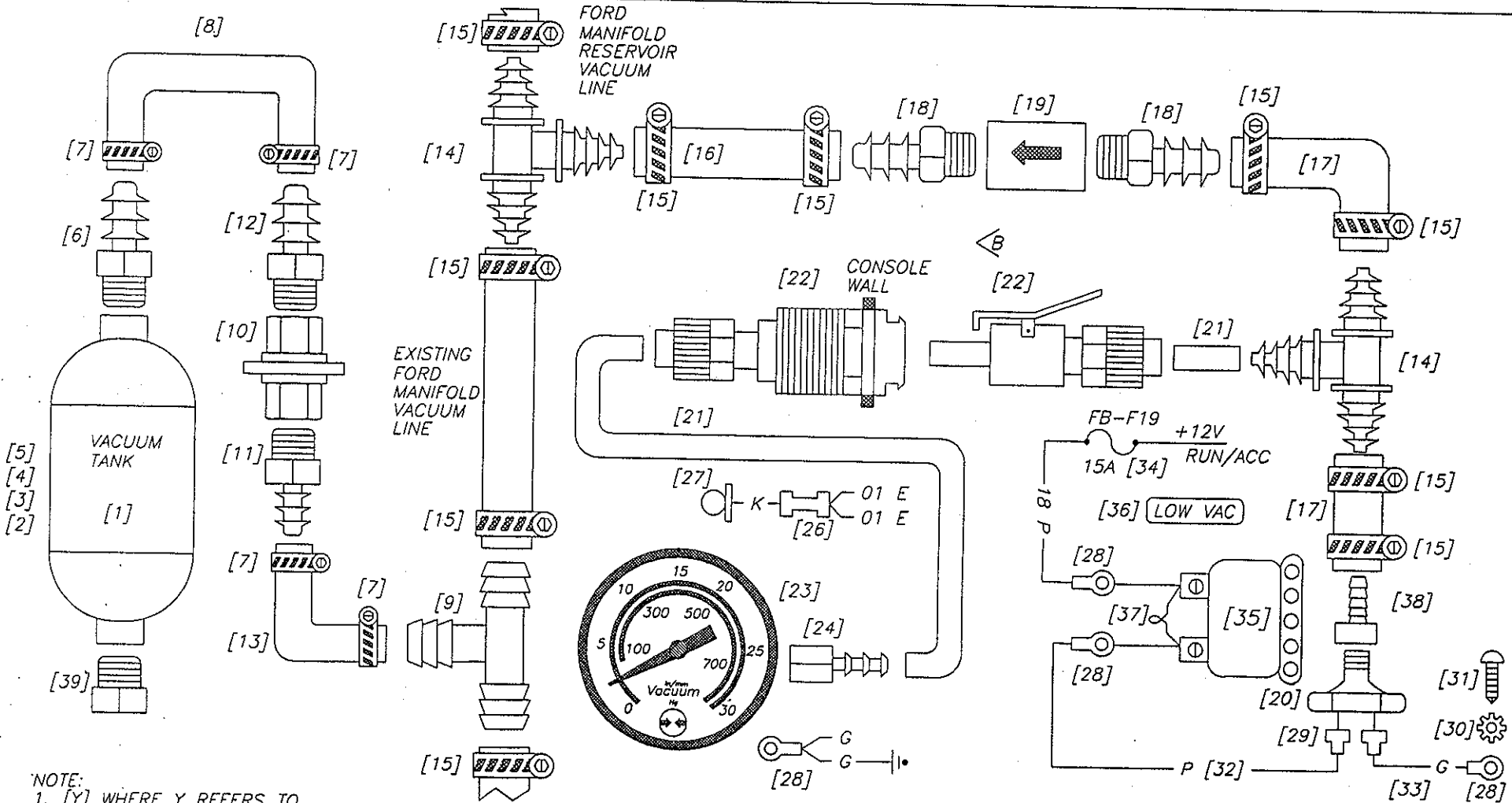
ELDORADO NATIONAL CO., A THOR INDUSTRIES COMPANY  
 TITLE: SCHEMATIC, SONIC REVERSE ALARM  
 MAT'L SPEC. SEE B.O.M.  
 DRAWN BY: [ ] CHKD: [ ]  
 DATE: 01/08/93 SIZE: B PART NUMBER: 0020166 1/1  
 SCALE: 1=1 WT: [ ]

TOLERANCE UNLESS SPECIFIED  
 FRACTIONS ± 1/16  
 DECIMALS .00 ± .06  
 ANGLES ± 1 DEG.



THIRD ANGLE





NOTE:  
 1. [Y] WHERE Y REFERS TO THE B.O.M. ITEM NUMBER.  
 2. ALL ELECTRICAL CHASSIS GROUND CONNECTIONS WILL USE STAR WASHERS.

NEXT ASSY.: NONE  
 SUPERCEDES: #001563, #0020262, #0012463  
 DO NOT SCALE DRAWING  
 MARK PART NUMBER AND REVISION ON ALL PARTS

THIS DRAWING IS THE PROPERTY OF ELDERADO NATIONAL COMPANY, A THOR INDUSTRIES COMPANY AND IS NOT TO BE DUPLICATED OR USED IN ANY WAY DETRIMENTAL TO THEIR BEST INTEREST.

REV.	BY	DATE	DESCRIPTION	ER NUMBER	MAT'L SPEC.
D	BJM	1/12/98	ADDED B.O.M. ITEM #39	03249	
C	BJM	4/01/97	CHG. MILEBLOCK B.O.M. ITEMS 2, 7, 11, 12	02457	
B	JWW	1/11/97	CHGD SHUTOFF COUPLER RESTRUCTURE B.O.M.	02287	
A	AJD	10/14/94	UPDATE B.O.M. RESTRUCTURE B.O.M.	00928	
-	DWR	01/31/93	RELEASE TO PRODUCTION	00296	

TOLERANCE UNLESS SPECIFIED		DRAWING INFORMATION	
FRACTIONS	± 1/16	DRAWN: REED	CHKD:
DECIMALS	.00 ± .06	DATE: 07/29/93	SIZE: B
ANGLES	± 1 DEG	SCALE: 1/1	WT:

DRAWING INFORMATION		PART NUMBER	
SEE B.O.M.		0020804	

304 AVENUE B  
 SO. INDUSTRIAL AREA  
 SALINA, KS 67401

ELDERADO NATIONAL CO. A THOR INDUSTRIES COMPANY  
 TITLE:  
 VACUUM, ASM GAS & DSL  
 #2230, #7715

PAGE 1 of 2

ITEM	QTY.	PART NO.	DESCRIPTION
1	1	121800	TANK, VACUUM 8 x 25
2	4	0020829	BRACKET, POCKET DOOR AIR TANK
3	4	110995	BOLT, HEX 3/8 x 1-1/4 x 16 UNC PLTD
4	4	0000480	WASHER, LOCK 3/8
5	4	0000319	NUT, HEX 3/8 x 16 UNC PLTD
6	1	121019	CONN, 3/8 NPT x 1/2 BARBED
7	4	0001218	CLAMP, HOSE-GEAR WORM #10
8	7.00	124980	HOSE, FREON 13/32 #53477013004
9	1	45441	TEE, NYLON 3/8x1/2x3/8 BARB
10	1	121022	VALVE, CHECK MANIFOLD VACUUM
11	1	01050203	FITTING, BRASS 1/2 MPT x 3/8 BARB
12	1	01050204	FITTING, BRASS 1/2 MPT x 1/2 BARB
13	6.00	124980	HOSE, FREON 13/32 #53477013004
14	2	0001914	TEE, PLASTIC BREAKAWAY
15	10	40560	CLAMP, HOSE 1/16 x 9/32
16	1.5	125310	HOSE, 3/8 x 12
17	.5	61960	HOSE, 2 @ 3/8 x 3
18	2	0001220	FITTING, BARB 1/4 MPT x 3/8 TBG
19	1	121005	VALVE, AIR CHECK
20	1	121770	SENDER, BRAKE ALARM NG
21	15.5	125432	HOSE, 7/64 VACUUM 15.5
22	1	121023	COUPLER, DOUBLE END SHUT OFF
23	1	121739	GAUGE, MANIFOLD VACUUM
24	1	121740-2	CONN, 1/8 FPT x 1/8 HOSE
25	REF	121739-1	LIGHT, VACUUM GAUGE #1827975
26	1	61680	CONN, BUTT 10-12 AWG INS
27	1	68306	LIGHT, KIT
28	4	62320	CONN, RING 14-16 x #10 INS
29	2	61960	CONN, FEM PUSHON 14-16 AWG ENC
30	1	0001305	WASHER, #8 EXT STAR
31	1	116920	SCREW, TEK #8 x 1/2 PH PHIL
32	14.00	69075	WIRE, GXL 14 AWG PURPLE P 14.00'
33	4.00	69085	WIRE, GXL 14 AWG GREEN G 4.00'
34	1	63069	FUSE, 15A BLADE
35	1	61441	ALARM, BUZZER
36	1	70756	DECAL, "LOW VAC"
37	1	65316	ALARM, LIGHT
38	1	46420	1/8 FPT X 3/8 HOSE BARB
39	1	46409	PLUG, BRASS 1/2 MPT

C  
 B  
 C  
 C  
 B  
 B  
 D

D	BJM	3/12/88	ADDED B.O.M. ITEM #39	01249
C	BJM	8/01/88	CHG. TITLE BLOCK B.O.M. ITEM #5 5.7.11.12	02457
B	JWW	3/14/88	CHRD SHUTOFF COUPLER RESTRUCTURE B.O.M.	02287
A	AJD	10/1/84	RESTRUCTURE B.O.M.	00928
-	DWR	02/01/81	RELEASE TO PRODUCTION	00298

NEXT ASSY.: NONE  
 SUPERCEDES: #001563, #0020262, #0012463  
 DO NOT SCALE DRAWING  
 MARK PART NUMBER AND REVISION ON ALL PARTS

REV.	BY	DATE	DESCRIPTION	ER NUMBER

THIS DRAWING IS THE PROPERTY OF ELORADO NATIONAL COMPANY, A THOR INDUSTRIES COMPANY AND IS NOT TO BE DUPLICATED OR USED IN ANY WAY DETRIMENTAL TO THEIR BEST INTEREST.

TOLERANCE UNLESS SPECIFIED	DRAWING INFORMATION
FRACTIONS ± 1/16	DRAWN BY E.C. CRD.
DECIMALS .00 ± .06	DATE: 07/29/83
ANGLES ± 1 DEG.	SCALE: 1/4"

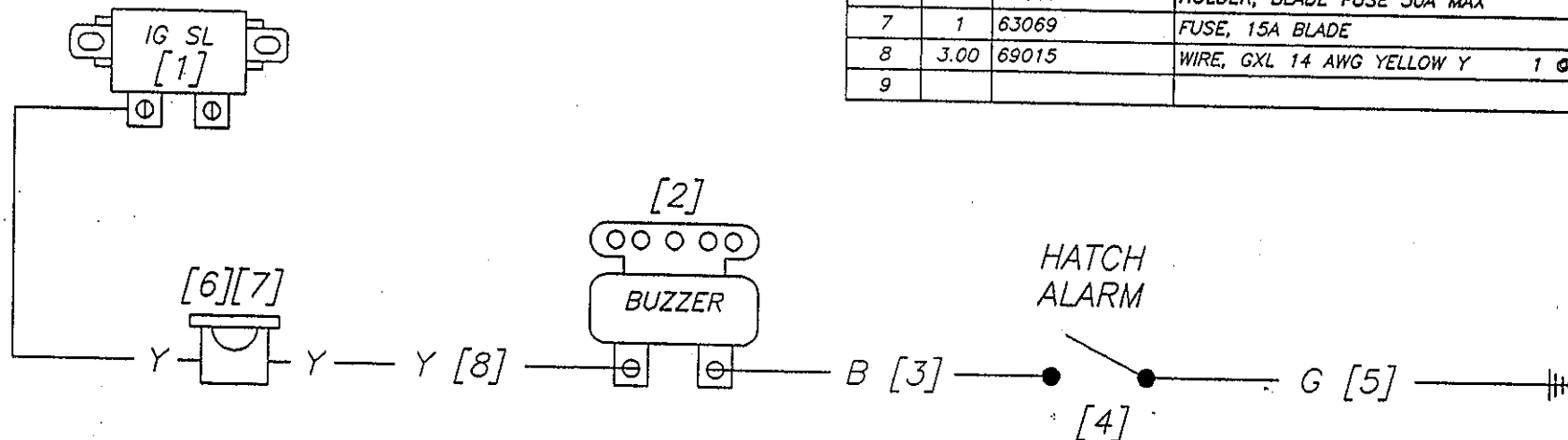
ELORADO NATIONAL CO. A THOR INDUSTRIES COMPANY  
 TITLE: VACUUM, ASM GAS & DSL #2230, #7715  
 MAT'L SPEC: SEE B.O.M.  
 PART NUMBER: 0020804

304 AVENUE B  
 SO. INDUSTRIAL AREA  
 SALINA, KS. 67401

PAGE 2 of 2


0023955

ITEM	QTY.	PART NO.	DESCRIPTION
1	REF	0002060	RELAY, 12V SPST W/ PRE-CONTACT
2	1	61440	BUZZER, DOOR AJAR
3	23.00	69755	WIRE, GXL 16 AWG BLUE B 1 @ 276.00"
4	1	0023940	HATCH, EMERGENCY W/ALARM & SCREEN
5	10.00	69785	WIRE, GXL 16 AWG GREEN 1 @ 120.00"
6	1	63241	HOLDER, BLADE FUSE 30A MAX
7	1	63069	FUSE, 15A BLADE
8	3.00	69015	WIRE, GXL 14 AWG YELLOW Y 1 @ 36.00"
9			



**NOTE**

- [Y] WHERE Y REFERS TO THE B.O.M. ITEM NUMBER.
- ALL ELECTRICAL CHASSIS GROUND CONNECTIONS WILL USE STAR WASHERS.
- ALL EXTERIOR WIRING CONNECTIONS WILL BE COVERED WITH MASTIC LINED HEAT SHRINK TUBING.

NEXT ASSY.: NONE					 <p>304 AVENUE B SO. INDUSTRIAL AREA SALINA, KS. 67401</p>	
SUPERCEDES: NONE						ELDORADO NATIONAL CO. A THOR INDUSTRIES COMPANY
DO NOT SCALE DRAWING	-	BJM	7/25/97	RELEASE TO PRODUCTION	02605	TITLE: SCHEMATIC, ROOF HATCH ALARM
MARK PART NUMBER AND REVISION ON ALL PARTS	REV.	BY	DATE	DESCRIPTION	ER NUMBER	MAT'L SPEC. SEE B.O.M.
THIS DRAWING IS THE PROPERTY OF ELDORADO NATIONAL COMPANY, A THOR INDUSTRIES COMPANY AND IS NOT TO BE DUPLICATED OR USED IN ANY WAY DETRIMENTAL TO THEIR BEST INTEREST.	TOLERANCE UNLESS SPECIFIED			DRAWING INFORMATION		PART NUMBER 0023955
	FRACTIONS ± 1/16			DRAWN: McQUILLAN	CKD.:	
	DECIMALS .00 ± .06			DATE: 7/25/97	SIZE: A	
ANGLES ± 1 DEG.			SCALE: 1/2	WT.:		PAGE 1 of 1