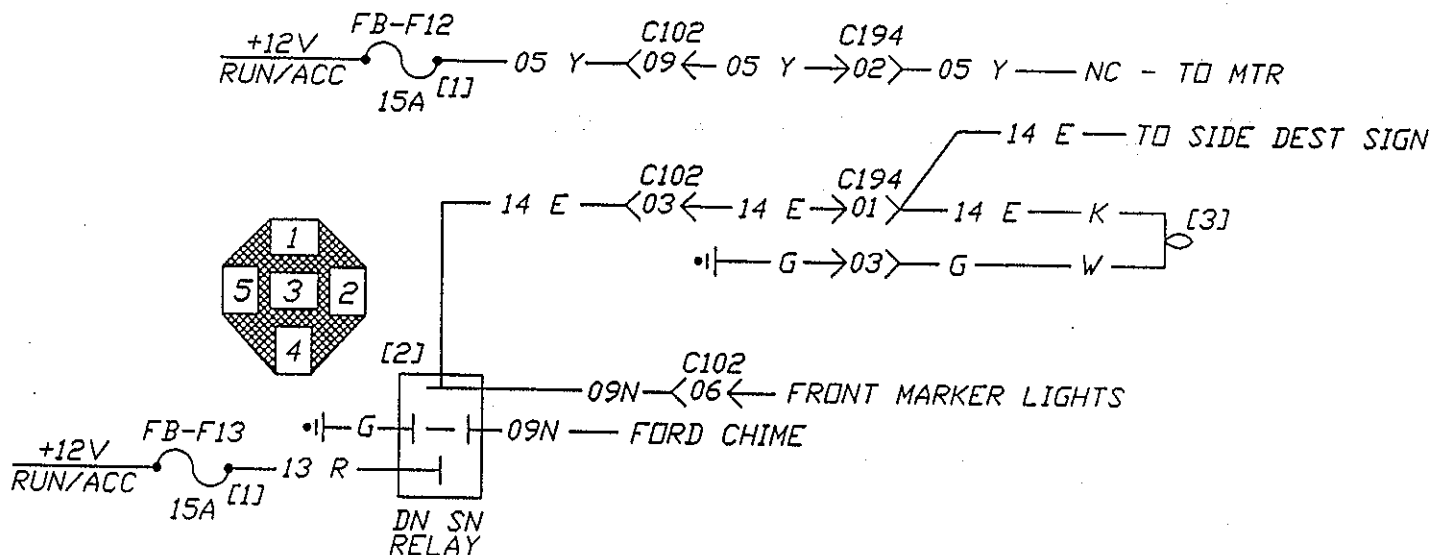


## **SECTION 21 - DESTINATION SIGN**


0024029	SCHEMATIC, '97 MYLAR/PLACARD DESTINATION SIGN
0024028	SCHEMATIC, '97 MYLAR/PLACARD SIDE DEST SIGN
0024031	SCHEMATIC, '97 DEST SIGN LIGHTED MANUAL ROLLER
0024032	SCHEMATIC, '97 DEST SIGN LIGHTED ELEC. ROLLER
0024320	SCHEMATIC, AT/AL FRONT & SIDE DESTINATION SIGN WITH 1/P SWITCHES
0024030	SCHEMATIC, '97 D3114 REVERSING ELEC. ROLLER SIGN
0019164	SCHEMATIC, DEST SIGN 6.1" LUMINATOR
0019165	SCHEMATIC, DESTINATION SIGN 6.1" LUMINATOR 90 COLUMN
0019166	SCHEMATIC, DESTINATION SIGN SLIMLINE LUMINATOR
0020054	SCHEMATIC, '92 VULTRON DESTINATION SIGN
0022157	SCHEMATIC, DW 8K VUL FRONT DESTINATION SIGN
0024086	DESTINATION SIGN, PREWIRE ONE FRONT & ONE SIDE

ITEM	QTY.	PART NO.	DESCRIPTION
1	2	63069	FUSE, 15A BLADE
2	REF	68323	RELAY, 12V SPDT WITH MOUNT
3	1	64523	LIGHT, FLUOR 36" DEST SIGN
4	-	-	-



NOTE:

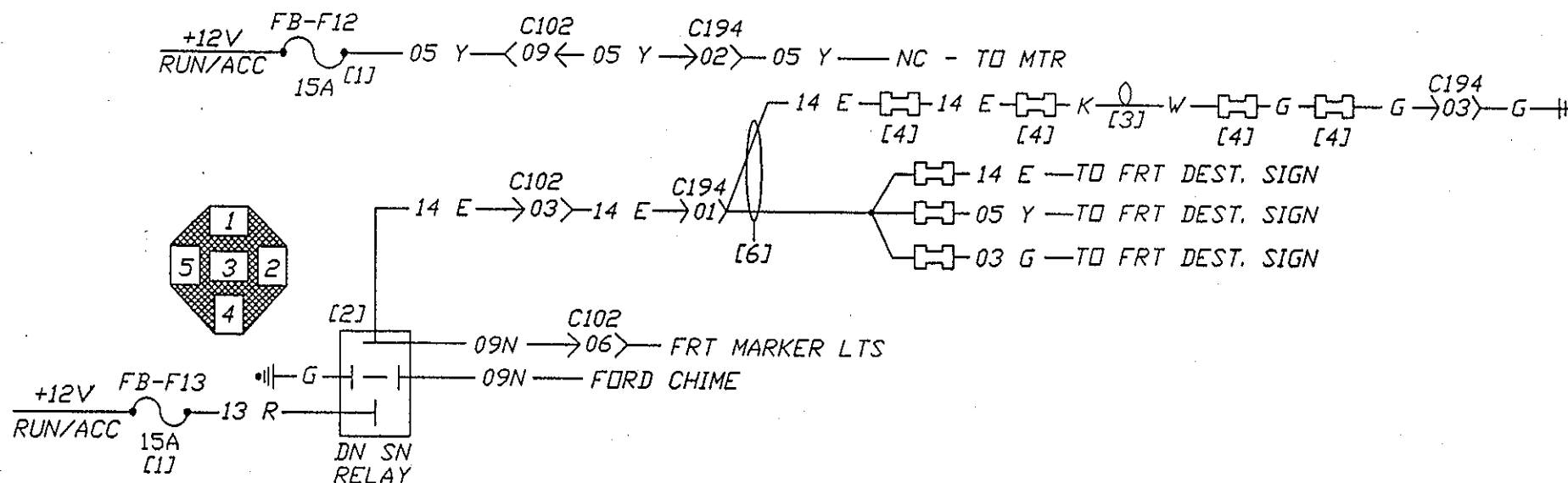
- [Y] WHERE Y REFERS TO THE B.O.M. ITEM NUMBER.
- ALL ELECTRICAL CHASSIS GROUND CONNECTIONS WILL USE STAR WASHERS.
- FB - FUSE BLOCK.
- NC - NO CONNECTION


NEXT ASSY.: NONE				 304 AVENUE B SO. INDUSTRIAL AREA SALINA, KS. 67401							
SUPERCEDES: 0021496						ELDORADO NATIONAL CO. A THOR INDUSTRIES COMPANY TITLE:					
DO NOT SCALE DRAWING				A	BJM	10/11/98	RELAYED MARKER LTS	03736	SCHEMATIC, 97 MYLAR/PLACARD		
MARK PART NUMBER AND REVISION ON ALL PARTS				-	BJM	8/18/97	RELEASE TO PRODUCTION	02377	DESTINATION SIGN #7510/7500		
THIS DRAWING IS THE PROPERTY OF ELDORADO NATIONAL COMPANY, A THOR INDUSTRIES COMPANY AND IS NOT TO BE DUPLICATED OR USED IN ANY WAY DETRIMENTAL TO THEIR BEST INTEREST.				REV.		DATE		DESCRIPTION		ER NUMBER	
				TOLERANCE UNLESS SPECIFIED				DRAWING INFORMATION			
FRACTIONS ± 1/16				DRAWN: MCGUILLAN				CKD.:			
DECIMALS .00 ± .06				DATE: 8/18/97				SIZE: A			
ANGLES ± 1 DEG.				SCALE: 1=2				WT.:			
MAT'L SPEC. SEE B.O.M.								PART NUMBER		PAGE	
								0024029		1 of 1	

NOTE:

1. [Y] WHERE Y REFERS TO THE B.O.M. ITEM NUMBER.
2. ALL ELECTRICAL CHASSIS GROUND CONNECTIONS WILL USE STAR WASHERS.
3. FB - FUSE BLOCK.
4. NC - NO CONNECTION

ITEM	QTY.	PART NO.	DESCRIPTION
1	2	63069	FUSE, 15A BLADE
2	REF	68323	RELAY, 12V SPDT WITH MOUNT
3	1	0019455	LIGHT, FLUOR 18"
4	4	61800	CONN, BUTT 14-16 AWG INS
5	15.00	69035	WIRE, GXL 14 AWG GREY 14E 1 @ 180.00"
6	REF	0024024	HARNESS, 97 DESTINATION SIGN
7	17.00	69850	FLEXLOOM, 1/4 SLIT
8	2.00	69085	WIRE, GXL 14 AWG GREEN G 1 @ 24.00"

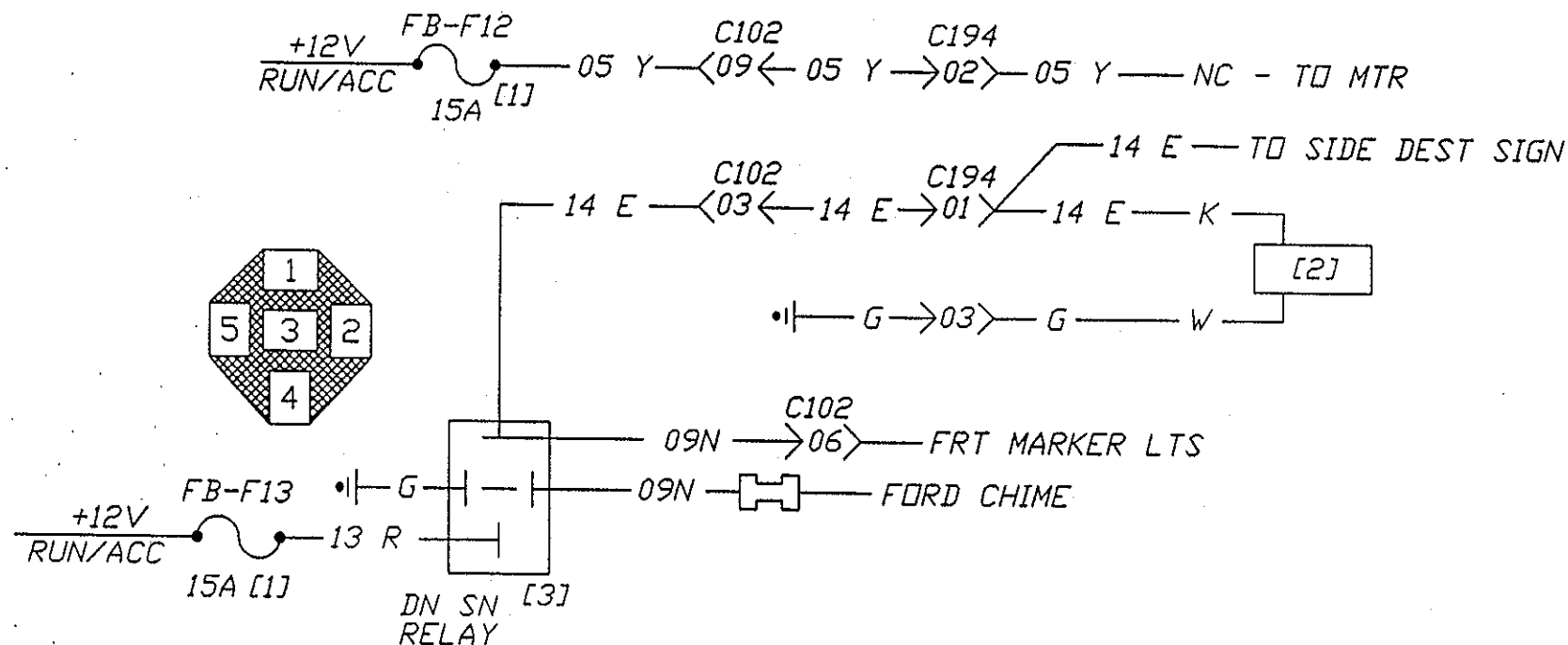



NEXT ASSY.: NONE						 <p>304 AVENUE B SO. INDUSTRIAL AREA SALINA, KS. 67401</p>					
SUPERCEDES: 0021497				A	BJM 10/11/98		ELDORADO NATIONAL CO. A THOR INDUSTRIES COMPANY				
DO NOT SCALE DRAWING				-	BJM 8/18/97	TITLE: SCHEMATIC, 97 MYLAR/PLACARD SIDE DEST SIGN #7511/7502					
MARK PART NUMBER AND REVISION ON ALL PARTS				REV.	BY	DATE	DESCRIPTION	ER NUMBER			
THIS DRAWING IS THE PROPERTY OF ELDORADO NATIONAL COMPANY, A THOR INDUSTRIES COMPANY AND IS NOT TO BE DUPLICATED OR USED IN ANY WAY DETRIMENTAL TO THEIR BEST INTEREST.				TOLERANCE UNLESS SPECIFIED			DRAWING INFORMATION				
				FRACTIONS ± 1/16			DRAWN: MCQUILLAN		CKD.:		
				DECIMALS .00 ± .06			DATE: 8/18/97		SIZE: A		
				ANGLES ± 1 DEG.			SCALE: 1=2		WT.:		
						MAT'L SPEC. SEE B.O.M.		PART NUMBER 0024028		PAGE 1 of 1	

NOTE:

- 1) [Y] WHERE Y REFERS TO THE B.O.M. ITEM NUMBER.
- 2) ALL ELECTRICAL CHASSIS GROUND CONNECTIONS WILL USE STAR WASHERS.
- 3) FB - FUSE BLOCK
- 4) NC - NO CONNECTION

ITEM	QTY.	PART NO.	DESCRIPTION
1	2	63069	FUSE, 15A BLADE
2	1	75910	SIGN, MANUAL DESTINATION
3	REF	68323	RELAY, 12V SPDT WITH MOUNT
4	-	-	-

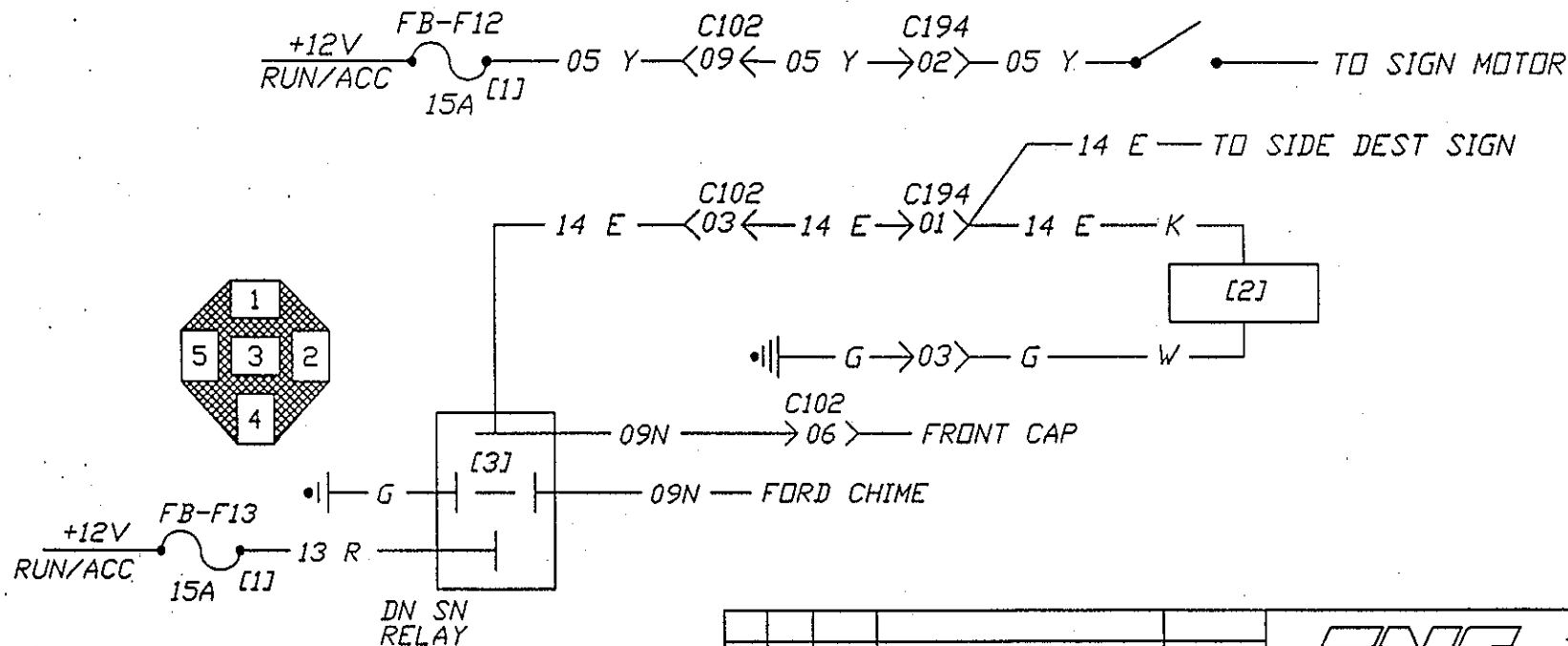


NEXT ASSY.: NONE								304 AVENUE B SO. INDUSTRIAL AREA SALINA, KS. 67401					
SUPERCEDES: 0021500						ELDORADO NATIONAL CO. A THOR INDUSTRIES COMPANY							
DO NOT SCALE DRAWING				A		BJM 10/11/98		RELAYED MARKER LTS					
MARK PART NUMBER AND REVISION ON ALL PARTS				-		BJM 8/19/97		RELEASE TO PRODUCTION					
				REV.		BY		DATE					
								DESCRIPTION					
								ER NUMBER					
THIS DRAWING IS THE PROPERTY OF ELDORADO NATIONAL COMPANY, A THOR INDUSTRIES COMPANY AND IS NOT TO BE DUPLICATED OR USED IN ANY WAY DETRIMENTAL TO THEIR BEST INTEREST.				TOLERANCE UNLESS SPECIFIED				DRAWING INFORMATION					
				FRACTIONS ± 1/16				DRAWN: MCGUILLAN				CKD.:	
				DECIMALS .00 ± .06				DATE: 8/19/97				SIZE: A	
				ANGLES ± 1 DEG.				SCALE: 1=6				WT.:	
								PART NUMBER		PAGE			
								0024031		1 of 1			

NOTE:

1. [Y] WHERE Y REFERS TO THE B.O.M. ITEM NUMBER.
2. ALL ELECTRICAL CHASSIS GROUND CONNECTIONS WILL USE STAR WASHERS.
3. FB - FUSE BLOCK.
4. NC - NO CONNECTION

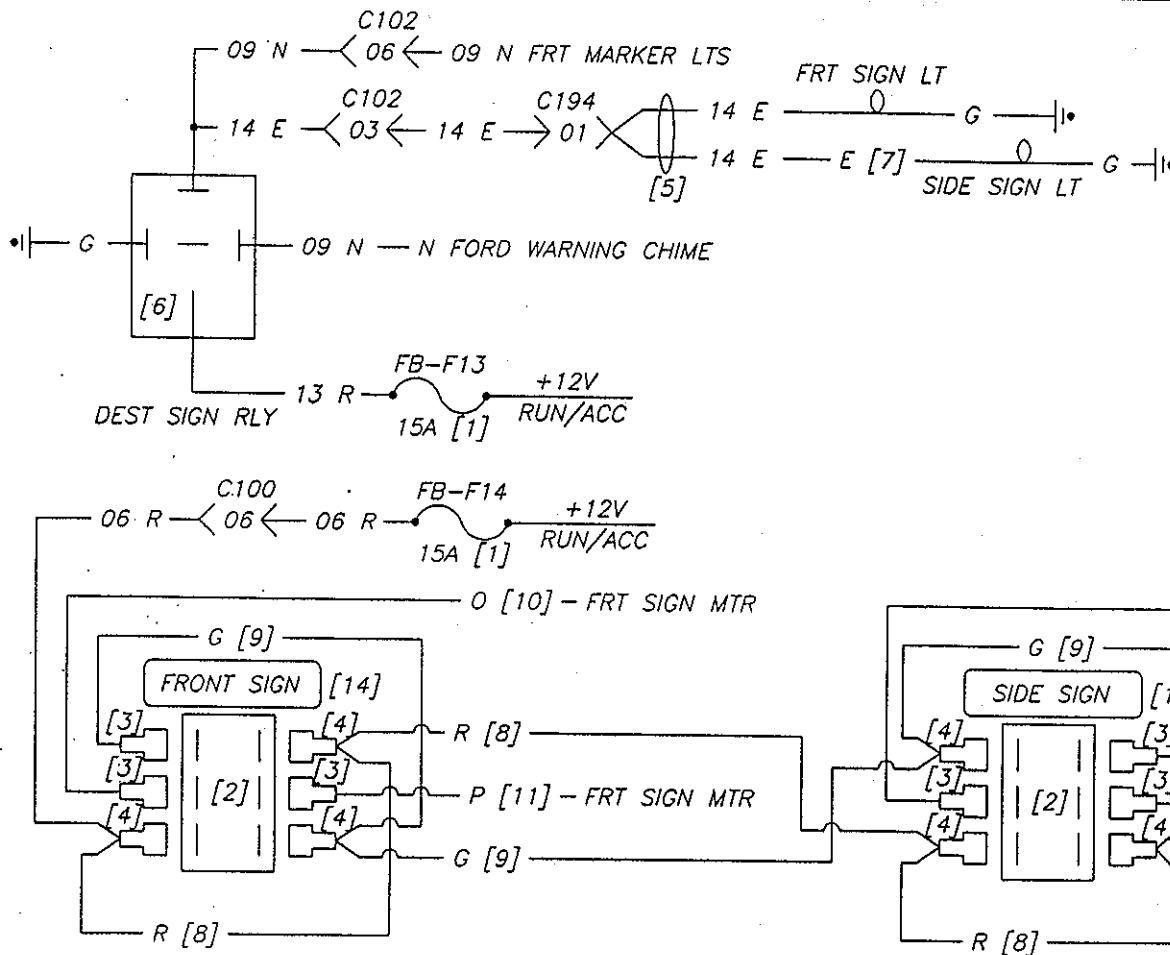
ITEM	QTY.	PART NO.	DESCRIPTION
1	2	63069	FUSE, 15A BLADE
2	1	75911	SIGN, ELEC. ROLLER DESTINATION
3	REF	68323	RELAY, 12V SPDT WITH MOUNT
4	-	-	-



NEXT ASSY.: NONE				ELDORADO NATIONAL CO. A THOR INDUSTRIES COMPANY	
SUPERCEDES: 0021501				A	BJM 10/11/98
DO NOT SCALE DRAWING				-	BJM 8/19/97
MARK PART NUMBER AND REVISION ON ALL PARTS				REV.	BY DATE
THIS DRAWING IS THE PROPERTY OF EL DORADO NATIONAL COMPANY, A THOR INDUSTRIES COMPANY AND IS NOT TO BE DUPLICATED OR USED IN ANY WAY DETRIMENTAL TO THEIR BEST INTEREST.				RELAYED MARKER LTS. 03736	
				RELEASE TO PRODUCTION 02377	
TOLERANCE UNLESS SPECIFIED				DRAWING INFORMATION	
FRACTIONS ± 1/16				DRAWN: MCQUILLAN CKD.:	
DECIMALS .00 ± .06				DATE: 8/19/97 SIZE: A	
ANGLES ± 1 DEG.				SCALE: 1=6 WT.:	
MATERIAL SPEC. SEE B.O.M.				PART NUMBER	
				0024032	
				PAGE	
				1 of 1	




304 AVENUE B  
SO. INDUSTRIAL AREA  
SALINA, KS. 67401



ITEM	QTY.	PART NO.	DESCRIPTION
1	2	63069	FUSE, 15A BLADE
2	2	68069	SWITCH, DPDT MOM ON/OFF/MOM ON BAT TOG
3	6	62041	CONN, FEM PUSHON 14-16 AWG ENC
4	6	62042	CONN, FEM PUSHON 10-12 AWG ENC
5	1	0024024	HARNESS, 97 DEST SIGN
6	REF	68323	RELAY, 12V SPDT 40A WITH MOUNTING TAB
7	15.00	69035	WIRE, GXL 14 AWG GREY E 1 @ 180.00"
8	3.00	69065	WIRE, GXL 14 AWG RED R 1 @ 36.00"
9	3.00	69085	WIRE, GXL 14 AWG GREEN G 1 @ 36.00"
10	15.00	69025	WIRE, GXL 14 AWG ORANGE O 1 @ 180.00"
11	15.00	69075	WIRE, GXL 14 AWG PURPLE P 1 @ 180.00"
12	20.00	69015	WIRE, GXL 14 AWG YELLOW Y 1 @ 240.00"
13	20.00	69045	WIRE, GXL 14 AWG WHITE W 1 @ 240.00"
14	1	70904	DECAL, 'FRONT SIGN'
15	1	70905	DECAL, 'SIDE SIGN'
16			
17			

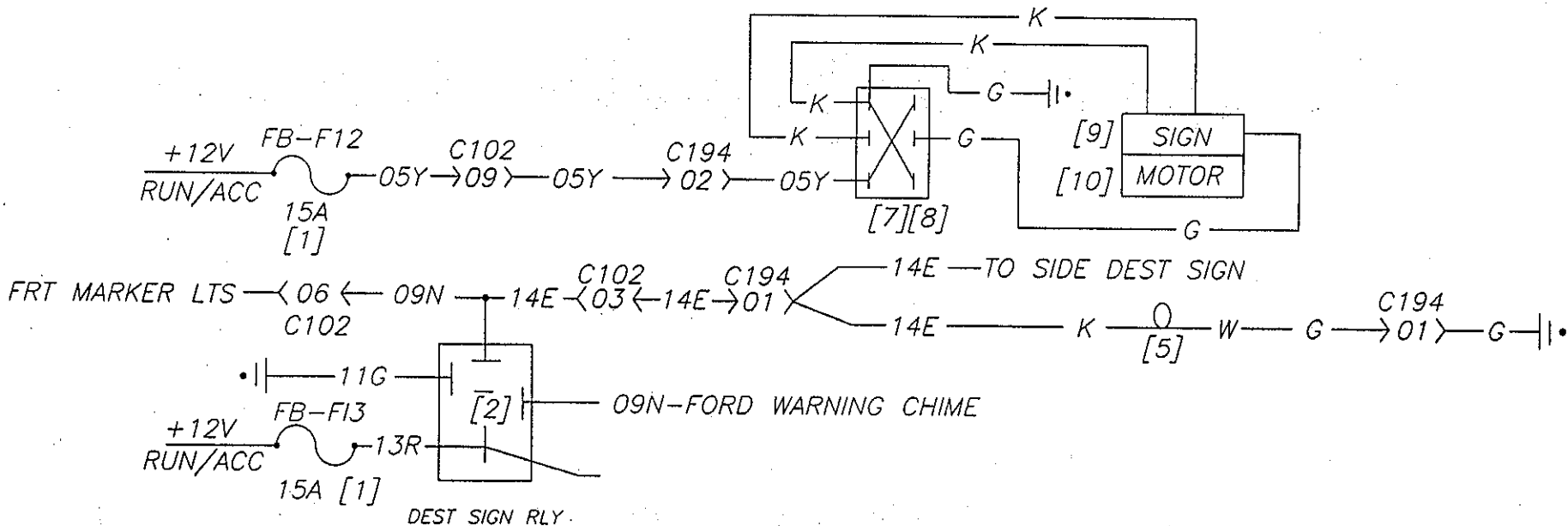
NOTE  
 1. [Y] WHERE Y REFERS TO THE B.O.M. ITEM NUMBER.  
 2. ALL ELECTRICAL CHASSIS GROUND CONNECTIONS WILL USE STAR WASHERS.  
 3. ALL EXTERIOR WIRING CONNECTIONS WILL BE COVERED WITH MASTIC LINED HEAT SHRINK TUBING.

NEXT ASSY.: NONE		A BJM 11/11/97 RELATED MARKER LTS.		03738	 304 AVENUE B SO. INDUSTRIAL AREA SALINA, KS. 67401 ELDERADO NATIONAL CO. A THOR INDUSTRIES COMPANY
SUPERCEDES: NONE		- DWR 11/24/97 RELEASE TO PRODUCTION		02984	
DO NOT SCALE DRAWING		REV. BY DATE DESCRIPTION		ER NUMBER	TITLE: SCHEMATIC, AT/AL FRONT & SIDE DESTINATION SIGN WITH I/P SWITCHES
MARK PART NUMBER AND REVISION ON ALL PARTS		TOLERANCE UNLESS SPECIFIED		DRAWING INFORMATION	
THIS DRAWING IS THE PROPERTY OF ELDERADO NATIONAL COMPANY, A THOR INDUSTRIES COMPANY AND IS NOT TO BE DUPLICATED OR USED IN ANY WAY DETRIMENTAL TO THEIR BEST INTEREST.		FRACTIONS ± 1/16 DECIMALS .00 ± .00 ANGLES ± 1 DEG.		DATE: 11/25/97 SCALE: 1=1 WT:	
		PART NUMBER		SEE B.O.M.	
		0024320		PAGE 1 of 1	

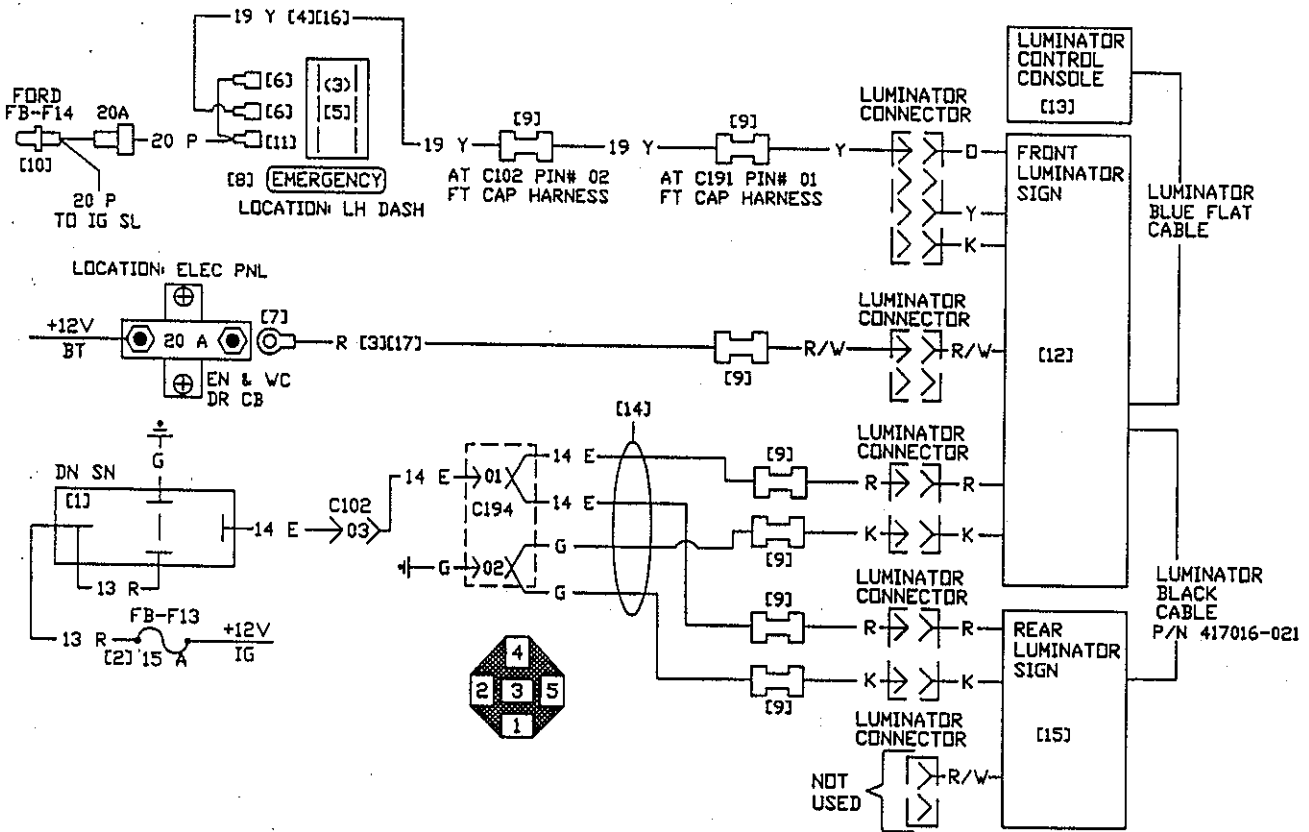
NOTE:

1. [Y] WHERE Y REFERS TO THE B.O.M ITEM NUMBER.
2. ALL ELECTRICAL CHASSIS GROUND CONNECTIONS WILL USE STAR WASHERS.
3. NS-NOT SHOWN ON THIS DRAWING

ITEM	QTY.	PART NO.	DESCRIPTION
1	2	63064	FUSE, 15A BLADE
2	REF	68323	RELAY, 12V SPDT W/MNT
3	-	-	-
4	-	-	-
5	1	64523	LIGHT, 36" FLOUR DEST SIGN
6	-	-	-
7	1	68069	SWITCH, DPDT MOM ON/OFF/ MOM ON BAT
NS	8	68081	COVER, ON/OFF
NS	9	0021568	SIGN
NS	10	0021592	CURTAIN



NEXT ASSY.: NONE								304 AVENUE B SO. INDUSTRIAL AREA SALINA, KS. 67401	
SUPERCEDES: 0021588		A BJM 10/11/96		RELAYED MARKER LYS.		03738		ELDERADO NATIONAL CO. A THOR INDUSTRIES COMPANY TITLE: SCHEMATIC, 97 D3114 REVERSING ELEC. ROLLER SIGN	
DO NOT SCALE DRAWING		- BJM 6/18/97		RELEASE TO PRODUCTION		02377			
MARK PART NUMBER AND REVISION ON ALL PARTS		REV. BY DATE		DESCRIPTION		SER NUMBER		MATERIAL SPEC. SEE B.O.M.	
THIS DRAWING IS THE PROPERTY OF ELDERADO NATIONAL COMPANY, A THOR INDUSTRIES COMPANY AND IS NOT TO BE DUPLICATED OR USED IN ANY WAY DETRIMENTAL TO THEIR BEST INTEREST.		TOLERANCE UNLESS SPECIFIED		DRAWING INFORMATION		PART NUMBER		PAGE	
		FRACTIONS ± 1/16		DRAWN: MCGILLIAN CKD:		0024030		1 of 1	
		DECIMALS .00 ± .06		DATE: 8/19/97		SIZE: B			
		ANGLES ± 1 DEG.		SCALE: 1=1		WTL:			




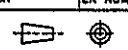
NOTE:  
 1. ALL ELECTRICAL CHASSIS GROUND CONNECTIONS WILL USE STAR WASHERS.  
 2. (Y) WHERE Y REFERS TO THE B.O.M. ITEM NUMBER.  
 3. FB - FUSE BLOCK

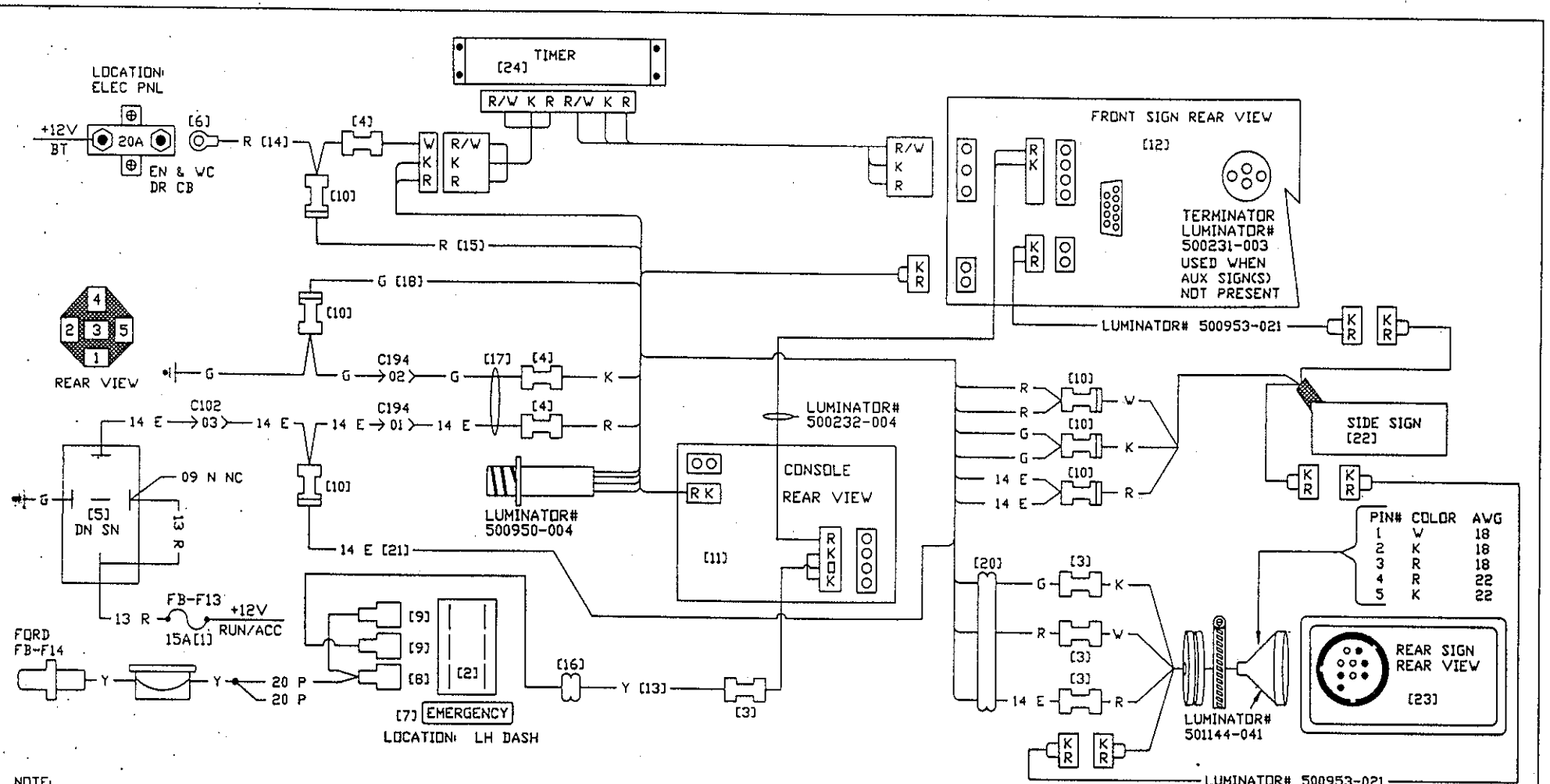
OPERATION:  
 1. THE IGNITION SWITCH MUST BE IN THE RUN OR ACCESSORY POSITION. THIS ACTION WILL ENERGIZE THE SIGN(S).  
 2. (X) WHERE X REFERS TO THE OPERATION NOTE NUMBER.  
 3. WHEN THIS SWITCH IS MOMENTARILY OPERATED, THE SIGN(S) WILL DISPLAY THE EMERGENCY MESSAGE IF IT IS PROGRAMMED.

NEXT ASSY.: NONE												304 AVENUE B S3 INDUSTRIAL AREA SALINA, KS. 67401	
SUPERCEDES: 0016846		A		DWR 07/21/83		CHG B.O.M. FORMAT CHG B.O.M. #1 & 5		00285		ELDORADO NATIONAL CO. A THOR INDUSTRIES COMPANY			
DO NOT SCALE DRAWING		-		DWR 07/17/82		RELEASE TO PRODUCTION		00013		SCHEMATIC, DEST SIGN 6.1"			
MARK PART NUMBER AND REVISION ON ALL PARTS		REV.		BY		DATE		DESCRIPTION		EX NUMBER		LUMINATOR #7495	
THIS DRAWING IS THE PROPERTY OF ELDERADO NATIONAL COMPANY, A THOR INDUSTRIES COMPANY AND IS NOT TO BE DUPLICATED OR USED IN ANY WAY DETRIMENTAL TO THEIR BEST INTEREST.		TOLERANCE UNLESS SPECIFIED		FRACTIONS ± 1/16		DECIMALS .00 ± .06		ANGLES ± 1 DEG.				MAT'L SPEC. SEE B. O. M.	
										DRAWN: R. E. C. CRD: J. DATE: 07/17/82 SIZE: B SCALE: 1=1		PART NUMBER 0019164 1/2	



ITEM	QTY.	PART NO.	DESCRIPTION
1	1	68323	RELAY, 12V SPDT WITH MOUNT
2	1	63069	FUSE, 15A BLADE
3	15.00	69065	WIRE, GXL 14 AWG RED R 15.00'
4	10.00	69015	WIRE, GXL 14 AWG YELLOW 19Y 10.00'
5	1	68069	SWITCH, DPDT MONON/OFF/MOMON BAT HANDLE
6	2	61960	CONN, FEM PUSHON 14-16 AWG ENC
7	1	62320	CONN, RING 14-16 AWG X #10 INS
8	1	70705	DECAL, 'EMERGENCY'
9	7	61800	CONN, BUTT 14-16 AWG INS
10	1	62560	CONN, MAL PUSHON 10-12 AWG INS
11	1	62042	CONN, FEM PUSHON 10-12 AWG ENC
12	1	0011725	SIGN, DEST LUMINATOR 6.1"
13	1	0011727	CONSOLE, CONTROL LUMINATOR DEST
14	1	0019163	HARNES, LIGHTED REAR DEST SIGN
15	1	0011726	SIGN, DEST LUMINATOR 2.7"
16	9.50	69850	FLEXLOOM, 1/4" SLIT 9.50'
17	14.50	69850	FLEXLOOM, 1/4" SLIT 14.50'
18	-	-	-
19	-	-	-
20	-	-	-

NEXT ASSY.: NONE										 304 AVENUE B SO. INDUSTRIAL AREA SALINA, KS. 67401		
SUPERCEDES: 0016846		A	DWR	07/21/93	CHG B.O.M. FORMAT CHG B.O.M. #1 & 5	00285	EL DORADO NATIONAL CO., A THOR INDUSTRIES COMPANY TITLE: SCHEMATIC, DEST SIGN 6.1" LUMINATOR #7495					
DO NOT SCALE DRAWING		-	DWR	07/17/92	RELEASE TO PRODUCTION	00013						
MARK PART NUMBER AND REVISION ON ALL PARTS		REV.	BY	DATE	DESCRIPTION	REV. NUMBER						
THIS DRAWING IS THE PROPERTY OF EL DORADO NATIONAL COMPANY, A THOR INDUSTRIES COMPANY AND IS NOT TO BE DUPLICATED OR USED IN ANY WAY DETRIMENTAL TO THEIR BEST INTEREST.		TOLERANCE UNLESS SPECIFIED				 THIRD ANGLE		MATERIAL SPEC.		SEE B. O. M.		
		FRACTIONS ± 1/16		DECIMALS ± .06				DRAWN BY	CD.	PART NUMBER		
		ANGLES ± 1 DEG.						DATE: 07/17/92	SIZE: B	0019164 2/2		
						SCALE: 1=4		WT.:				



NOTE:  
 1. ALL ELECTRICAL CHASSIS GROUND CONNECTIONS WILL USE STAR WASHERS.  
 2. [Y] WHERE Y REFERS TO THE B.O.M. ITEM NUMBER.  
 3. FB - FUSE BLOCK  
 4. NC - NO CONNECTION

OPERATION:  
 1. THE IGNITION SWITCH MUST IN THE RUN OR ACCESSORY POSITION. THIS ACTION WILL ENERGIZE THE SIGN(S).  
 2. (X) WHERE X REFERS TO THE OPERATION NOTE NUMBER.  
 3. WHEN THIS SWITCH IS MOMENTARILY OPERATED, THE SIGN(S) WILL DISPLAY THE EMERGENCY MESSAGE IF IT IS PROGRAMMED.

NEXT ASSY.: NONE  
 SUPERCEDES: 0017155  
**DO NOT SCALE DRAWING**  
 MARK PART NUMBER AND REVISION ON ALL PARTS

THIS DRAWING IS THE PROPERTY OF ELDERADO NATIONAL COMPANY, A THOR INDUSTRIES COMPANY AND IS NOT TO BE DUPLICATED OR USED IN ANY WAY DETRIMENTAL TO THEIR BEST INTEREST.

REV.	BY	DATE	DESCRIPTION	ER NUMBER
E	DWR	01/31/82	VENDOR ADDED TIMER	01074
D	DWR	10/16/81	CHG WIRE R/W-W/R-W/R-W/R W/K-RS DEL P 8 MOVE 0 TO Y	00953
C	DWR	11/23/81	INTERCHANGED ORANGE & YELLOW WIRES ON REAR OF CONSOLE	00443
B	DWR	11/02/81	ADDED REAR SIGN CHG OTY BOW	00421
A	DWR	04/23/81	CHG BOW ADD BOW # 15 & 20 17: CHG OTY BOW # 3, 14, 15	00221
-	DWR	01/17/81	RELEASE TO PRODUCTION	00013

**ENC** 304 AVENUE B  
 50 INDUSTRIAL AREA  
 SALINA, KS. 67401

ELDERADO NATIONAL CO. A THOR INDUSTRIES COMPANY

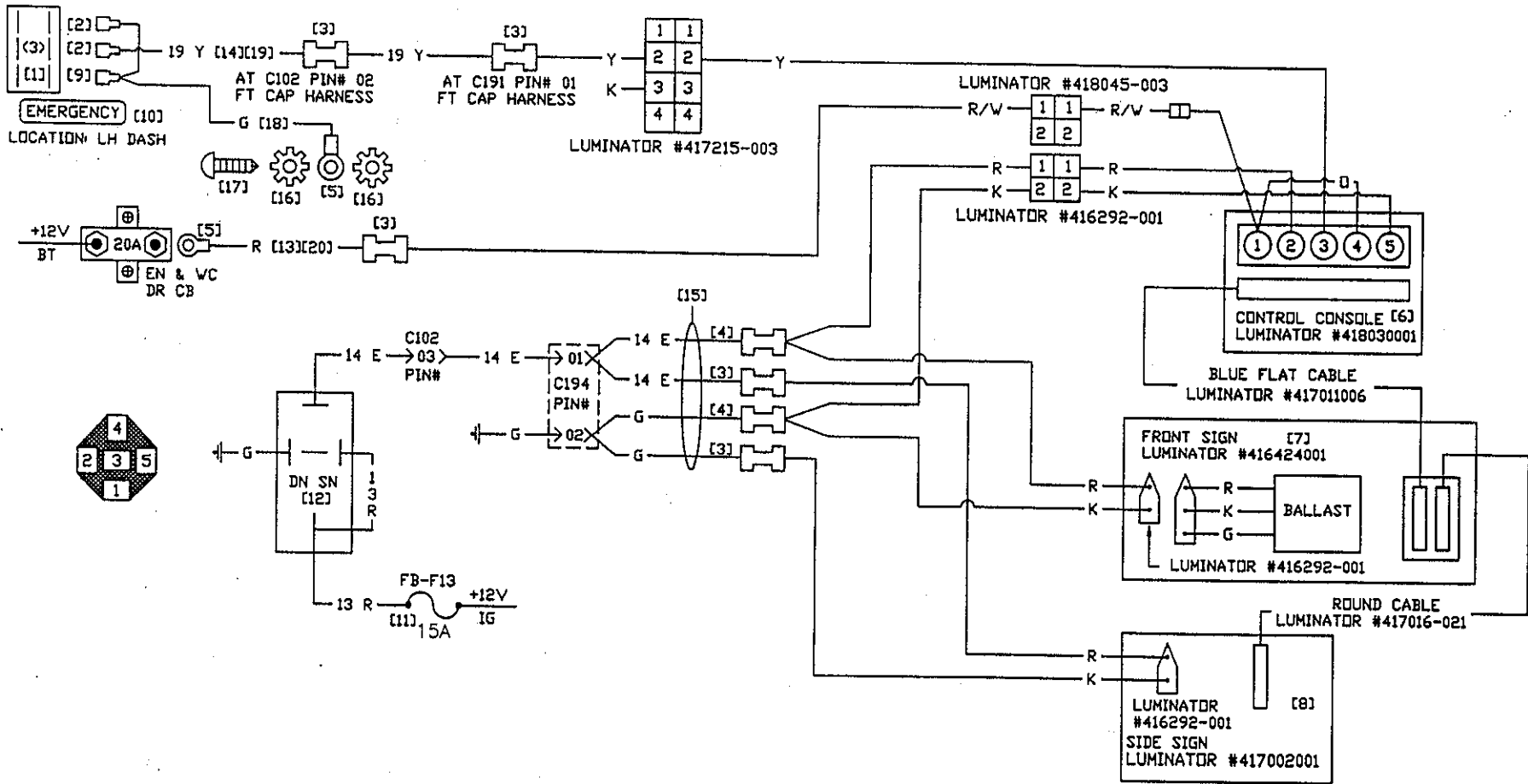
TITLE: SCHEMATIC, DESTINATION SIGN  
 6.1" LUMINATOR 90 COLUMN #7494

MATL SPEC. SEE B.O.M.

PART NUMBER: 0019165

PAGE: 1 of 2





- NOTE:
1. ALL ELECTRICAL CHASSIS GROUND CONNECTIONS WILL USE STAR WASHERS.
  2. [Y] WHERE Y REFERS TO THE B.O.M. ITEM NUMBER.
  3. FB - FUSE BLOCK


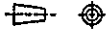
- OPERATION:
1. THE IGNITION SWITCH MUST BE IN THE RUN OR ACCESSORY POSITION. THIS ACTION WILL ENERGIZE THE SIGN(S).
  2. (X) WHERE X REFERS TO THE OPERATION NOTE NUMBER.
  3. WHEN THIS SWITCH IS MOMENTARILY OPERATED, THE SIGN(S) WILL DISPLAY THE EMERGENCY MESSAGE IF IT IS PROGRAMMED.

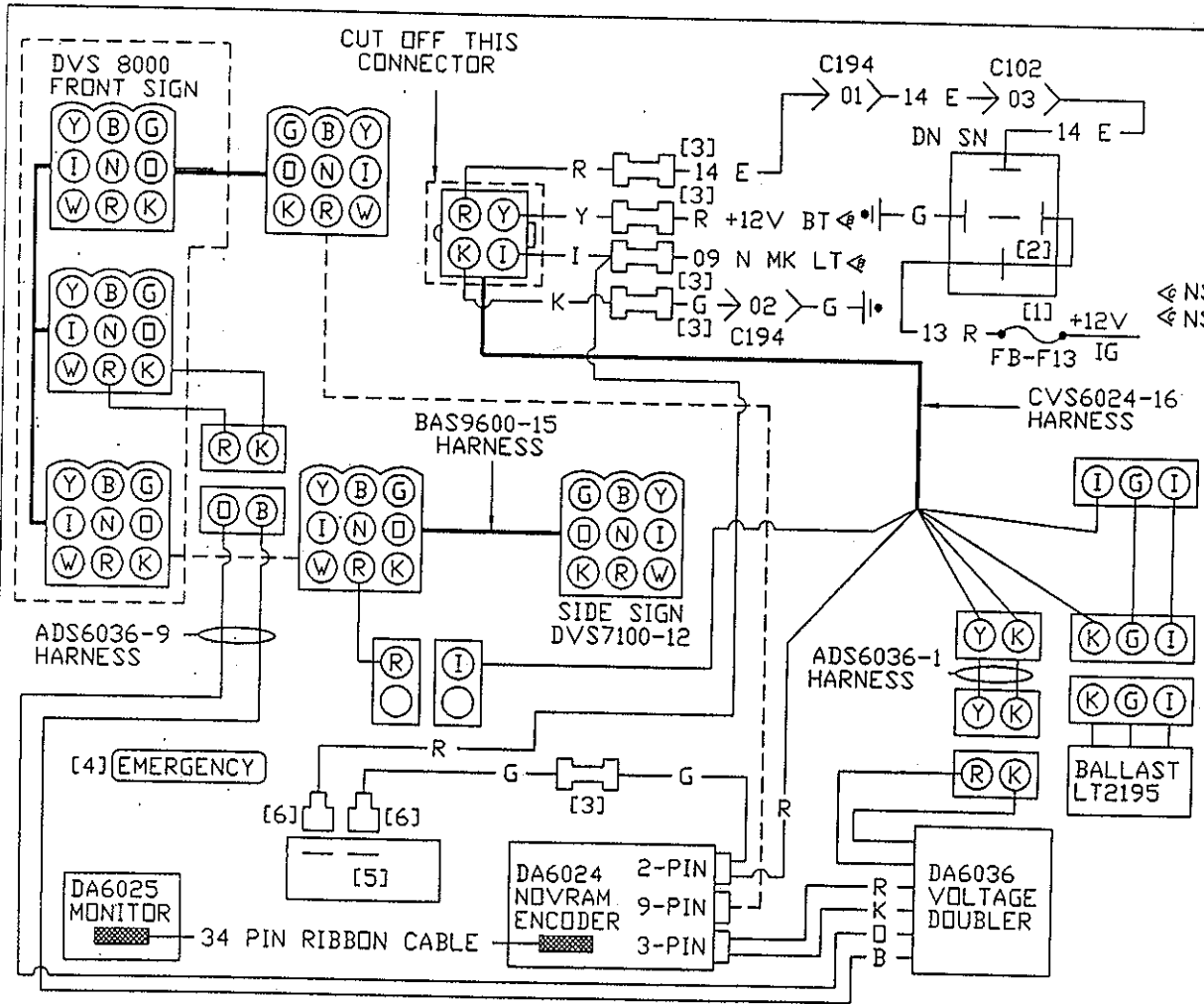
NEXT ASSY.: NONE					
SUPERCEDES: NONE					
DO NOT SCALE DRAWING					
MARK PART NUMBER AND REVISION ON ALL PARTS					
THIS DRAWING IS THE PROPERTY OF ELDORADO NATIONAL COMPANY, A THOR INDUSTRIES COMPANY AND IS NOT TO BE DUPLICATED OR USED IN ANY WAY DETRIMENTAL TO THEIR BEST INTEREST.		TOLERANCE UNLESS SPECIFIED		THIRD ANGLE	
		FRACTIONS ± 1/16		DRAWN BY: E. E. CRD.	
		DECIMALS .00 ± .06		DATE: 07/17/92	
		ANGLES ± 1 DEG.		SIZE: 9	
				WT.: 0019166 1/2	
				PART NUMBER	

**ENG**  
 304 AVENUE B  
 55 INDUSTRIAL AREA  
 SALINA, KS. 67401

ELDORADO NATIONAL CO. A THOR INDUSTRIES COMPANY  
 TITLE: SCHEMATIC, DESTINATION SIGN  
 SLIMLINE LUMINATOR #7493  
 EX NUMBER  
 MAT'L SPEC.  
 SEE B. O. M.  
 PART NUMBER  
 0019166 1/2

ITEM	QTY.	PART NO.	DESCRIPTION
1	1	68069	SWITCH, DPDT MOMON/OFF/MOMON BAT HANDLE
2	2	61960	CONN, FEM PUSHON 14-16 AWG ENC
3	5	61800	CONN, BUTT 14-16 AWG INS
4	2	61680	CONN, BUTT 10-12 AWG INS
5	2	62320	CONN, RING 14-16 AWG X #10 INS
6	1	75950	CONSOLE, CONTROL LUMINATOR SLIMLINE
7	1	75951	SIGN, DEST LUMINATOR 6.1" SLIMLINE
8	1	0011726	SIGN, DEST LUMINATOR 2.7"
9	1	62042	CONN, FEM PUSHON 10-12 AWG ENC
10	1	70705	DECAL, 'EMERGENCY'
11	1	63069	FUSE, 15A BLADE
12	1	68323	RELAY, 12V SPDT WITH MOUNT
13	15.00	69065	WIRE, GXL 14 AWG RED R 15.00'
14	10.00	69015	WIRE, GXL 14 AWG YELLOW 19Y 10.00'
15	1	0019163	HARNESS, LIGHTED REAR DEST SIGN
16	2	0001305	WASHER, #8 EXT STAR
17	1	116920	SCREW, TEK #8 X 1/2" PH PHIL
18	2.00	69085	WIRE, GXL 14 AWG GREEN G 2.00'
19	9.50	69850	FLEXLOOM, 1/4" SLIT 9.50'
20	14.50	69850	FLEXLOOM, 1/4" SLIT 14.50'
21	-	-	--
22	-	-	--
23	-	-	--
24	-	-	--
25	-	-	--

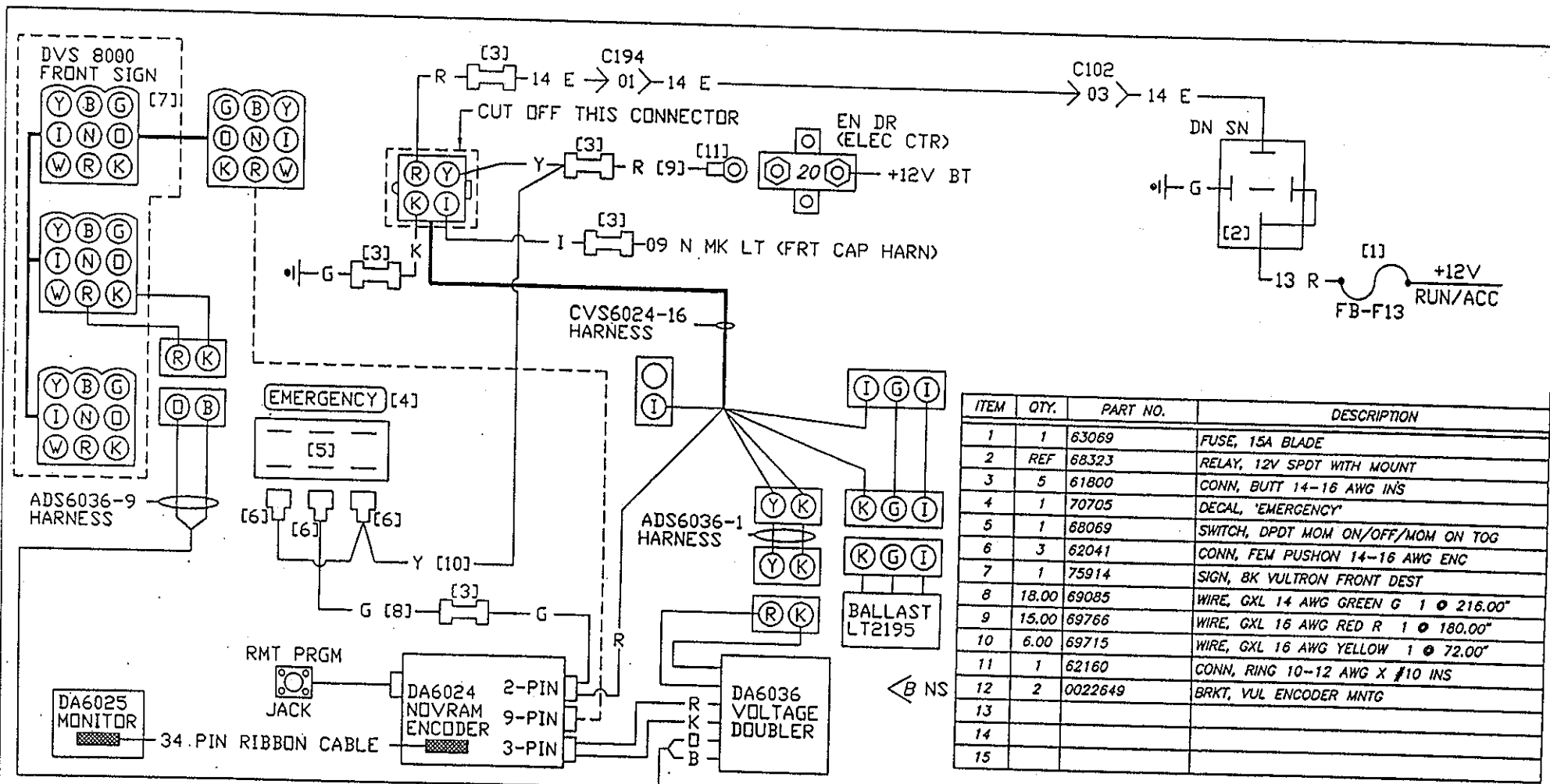
NEXT ASSY.: NONE										 304 AVENUE B SO. INDUSTRIAL AREA SALINA, KS. 67401	
SUPERCEDES: NONE		A DWR 07/22/93		ENC B.O.M. TONGAT CHG B.O.M. #1 & 12		00285		ELDORADO NATIONAL CO. A THOR INDUSTRIES COMPANY		TITLE:	
DO NOT SCALE DRAWING		- DWR 07/17/93		RELEASE TO PRODUCTION		00013		SCHEMATIC, DESTINATION SIGN		SLIMLINE LUMINATOR #7493	
MARK PART NUMBER AND REVISION ON ALL PARTS		REV.	BY	DATE	DESCRIPTION	ER	NUMBER	MATERIAL SPEC. SEE B. O. M.			
THIS DRAWING IS THE PROPERTY OF ELDORADO NATIONAL COMPANY, A THOR INDUSTRIES COMPANY AND IS NOT TO BE DUPLICATED OR USED IN ANY WAY DETRIMENTAL TO THEIR BEST INTEREST.		TOLERANCE UNLESS SPECIFIED		 THIRD ANGLE		FRACTIONS ± 1/16 DECIMALS .00 ± .04 ANGLES ± 1 DEG.		DRAWN: R.E. ECK DATE: 07/17/92 SCALE: 1=1		PART NUMBER 0019166 2/2	



ITEM	QTY.	PART NO.	DESCRIPTION
1	1	63069	FUSE, 15A BLADE
2	1	68323	RELAY, 12V SPDT WITH MOUNT
3	5	61800	CONN, BUTT 14-16 AWG INS
4	1	70705	DECAL, 'EMERGENCY'
5	1	0001086	SWITCH, SPST ON/OFF D-TOG
6	2	62041	CONN, FEM PUSHON 14-16 AWG ENC
7	1	75912	SIGN, VULTRON FRONT AND SIDE
8	2	0022649	BRKT, VUL ENCODER MNTG
9	2	0022636	BRKT, VUL SIDE SIGN
10			

- NOTE:
- [Y] WHERE Y REFERS TO THE B.O.M. ITEM NUMBER.
  - ALL ELECTRICAL CHASSIS GROUND CONNECTIONS WILL USE STAR WASHERS.
  - ALL CONNECTORS SHOWN - REAR VIEW.
  - FB - FUSEBLOCK
  - THE EMERGENCY MESSAGE WILL APPEAR 15-20 SECONDS AFTER THE EMERGENCY SWITCH IS OPERATED.
  - NS - NOT SHOWN ON THIS DRAWING.

NEXT ASSY.: NONE		SUPERCEDES: NONE		DO NOT SCALE DRAWING		MARK PART NUMBER AND REVISION ON ALL PARTS	
<p>THIS DRAWING IS THE PROPERTY OF ELDERADO NATIONAL COMPANY, A THOR INDUSTRIES COMPANY AND IS NOT TO BE DUPLICATED OR USED IN ANY WAY DETRIMENTAL TO THEIR BEST INTEREST.</p>							
<p>TOLERANCE UNLESS SPECIFIED</p> <p>FRACTIONS ± 1/16 DECIMALS .00 ± .06 ANGLES ± 1 DEG.</p>				<p>DRAWING INFORMATION</p> <p>DRAWN: [ ] ECD: [ ] DATE: 12/07/92 SIZE: B SCALE: 1=1 WT: [ ]</p>			
<p>REV. BY DATE DESCRIPTION</p> <p>C DWR 01/06/94 ADDED B.O.M. # 8 &amp; 9 01589</p> <p>B DWR 01/04/94 UPDATE TITLEBLOCK; INTERCHG SIGNALS ON I &amp; Y WIRES 01585</p> <p>A DWR 07/22/93 CHG B.O.M. FORMAT CHG B.O.M. #2 00285</p> <p>- DWR 12/12/92 RELEASE TO PRODUCTION 00148</p>		<p>ELDERADO NATIONAL CO. A THOR INDUSTRIES COMPANY</p> <p>TITLE: SCHEMATIC, '92 VULTRON DESTINATION SIGN</p> <p>HAT'L SPEC. SEE B.O.M.</p> <p>PART NUMBER 0020054</p>		<p>304 AVENUE B 801 INDUSTRIAL AREA SALINA, KS. 67401</p>		<p>PAGE 1 of 1</p>	



ITEM	QTY.	PART NO.	DESCRIPTION
1	1	63069	FUSE, 15A BLADE
2	REF	68323	RELAY, 12V SPDT WITH MOUNT
3	5	61800	CONN, BUTT 14-16 AWG INS
4	1	70705	DECAL, 'EMERGENCY'
5	1	88069	SWITCH, DPDT MOM ON/OFF/MOM ON TOG
6	3	62041	CONN, FEM PUSHON 14-16 AWG ENC
7	1	75914	SIGN, 8K VULTRON FRONT DEST
8	18.00	69085	WIRE, GXL 14 AWG GREEN G 1 @ 216.00"
9	15.00	69766	WIRE, GXL 15 AWG RED R 1 @ 180.00"
10	6.00	69715	WIRE, GXL 16 AWG YELLOW 1 @ 72.00"
11	1	62160	CONN, RING 10-12 AWG X #10 INS
12	2	0022649	BRKT, VUL ENCODER MNTG
13			
14			
15			

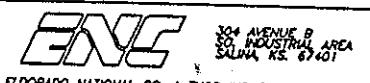
- NOTE:
- [Y] WHERE Y REFERS TO THE B.D.M. ITEM NUMBER.
  - ALL ELECTRICAL CHASSIS GROUND CONNECTIONS WILL USE STAR WASHERS.
  - ALL CONNECTORS SHOWN - REAR VIEW.
  - FB - FUSEBLOCK
  - THE EMERGENCY MESSAGE WILL APPEAR 15-20 SECONDS AFTER THE EMERGENCY SWITCH IS OPERATED.
  - 1st UNIT '9196
  - NS - NOT SHOWN ON THIS DRAWING.

NEXT ASSY.: NONE  
 SUPERCEDES: NONE  
 DO NOT SCALE DRAWING  
 MARK PART NUMBER AND REVISION ON ALL PARTS

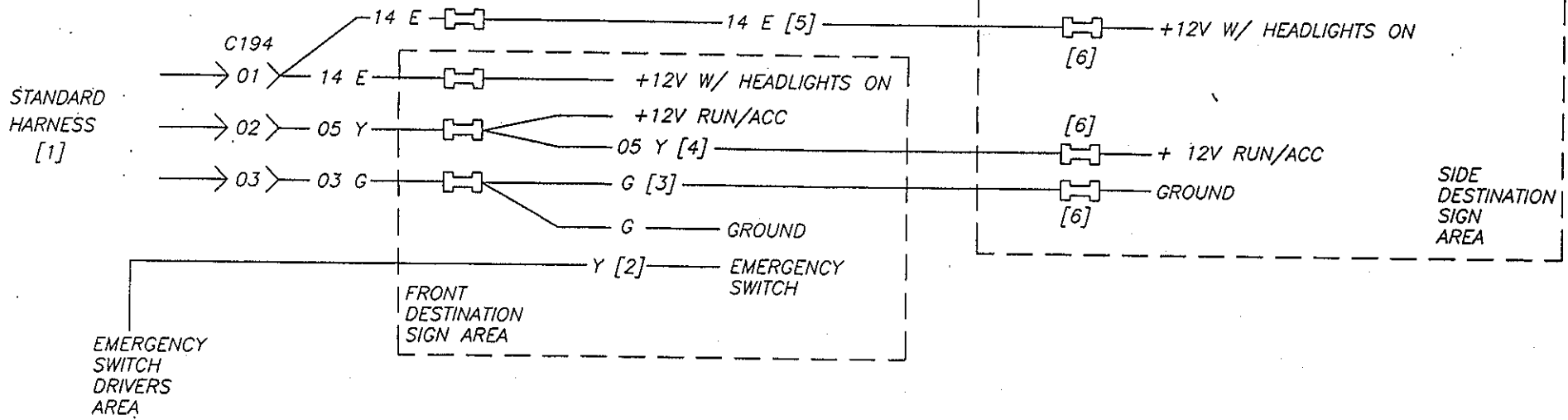
THIS DRAWING IS THE PROPERTY OF ELDERADO NATIONAL COMPANY, A THOR INDUSTRIES COMPANY AND IS NOT TO BE DUPLICATED OR USED IN ANY WAY DETRIMENTAL TO THEIR BEST INTEREST.


REV. BY	DATE	DESCRIPTION	DR NUMBER
B	01/06/74	ADD B.O.M. #12	01569
A	02/18/74	REWORK 1 & 2 Wires ON WIRE BLOCK	01320
-	04/21/75	RELEASE TO PRODUCTION	01195

TOLERANCE UNLESS SPECIFIED: FRACTIONS ± 1/16, DECIMALS .00 ± .06, ANGLES ± 1 DEG.  
 DRAWING INFORMATION: DRAWN BY E.E.D./G.R., DATE: 04/17/73, SUCB, SCALE: NTS, 1 W/L.  
 MAT'L SPEC. SEE B.O.M.  
 PART NUMBER: 0022157  
 PAGE 1 of 1



ITEM	QTY.	PART NO.	DESCRIPTION
1	1	0024024	HARNASS, DESTINATION SIGN
2	20.00	69715	WIRE, GXL 16 AWG YELLOW Y 10240.00"
3	12.00	69085	WIRE, GXL 14 AWG GREEN G 10144.00"
4	12.00	69015	WIRE, GXL 14 AWG YELLOW 05Y 10144.00"
5	12.00	69035	WIRE, GXL 14 AWG GREY 14E 10144.00"
6	3	61800	CONN., 14-16 AWG BUTT
-	1	-	-
-	1	-	-



NEXT ASSY.: NONE							
SUPERCEDES: NONE						304 AVENUE B SO. INDUSTRIAL AREA SALINA, KS. 67401	
DO NOT SCALE DRAWING		REV.	BY	DATE	DESCRIPTION	QTY	TITLE
MARK PART NUMBER AND REVISION ON ALL PARTS		-	JWW	9-12-97	RELEASE TO PRODUCTION	02720	DESTINATION SIGN, PREWIRE ONE FRONT & ONE SIDE
THIS DRAWING IS THE PROPERTY OF ELDOORADO NATIONAL COMPANY, A THOR INDUSTRIES COMPANY AND IS NOT TO BE DUPLICATED OR USED IN ANY WAY DETRIMENTAL TO THEIR BEST INTEREST.		TOLERANCE UNLESS SPECIFIED		DRAWING INFORMATION			
		FRACTIONS ± 1/16		DRAWN BY	CHKD.	MATERIAL SPEC.	
		DECIMALS .00 ± .06		DATE: 9-12-97	SIZE: B	SEE B.O.M.	
		ANGLES ± 1 DEG.		SCALE: FULL	WT.	PART NUMBER	
						0024086	
						PAGE	
						1 of 1	