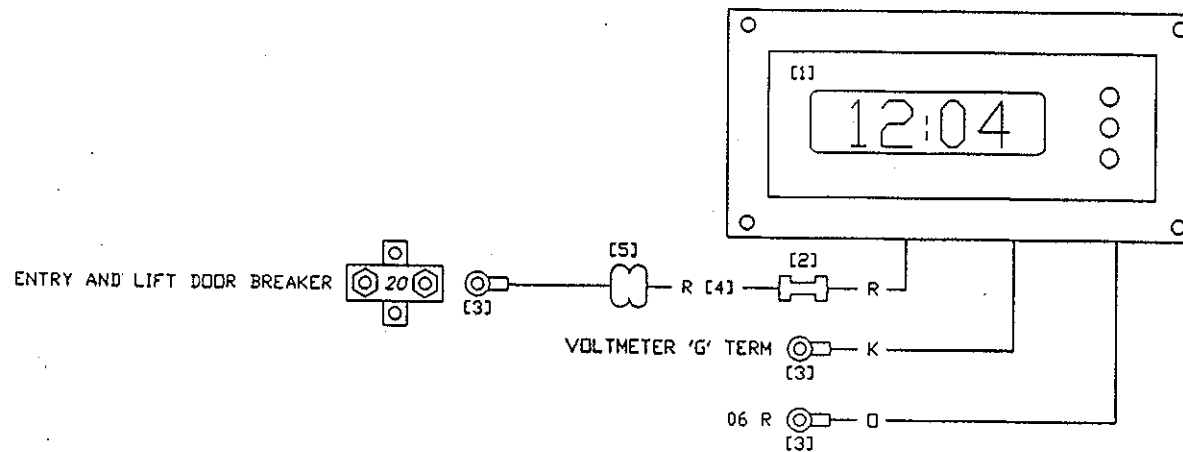


## **SECTION 24 - CLOCK & LIGHTER**

0024979      CLOCK SCHEMATIC, DIGITAL #7742000V  
0022904      SCHEMATIC, ADDED FORD CIGAR LIGHTER

0024979

ITEM	QTY.	PART NO.	DESCRIPTION
1	1	0024978	CLOCK MOUNTING ASM
2	1	61800	CONN, BUTT 14-16 AWG INS
3	3	62085	CONN, RING 16-22 AWG X #8 INS
4	4.00	69766	WIRE, GXL 16 AWG RED R 1 ⌀ 48.00"
5	4.00	69850	FLEXLOOM, 1/4 SLIT 1 ⌀ 48.00"



**NOTE**

- [Y] WHERE Y REFERS TO THE B.O.M. ITEM NUMBER.
- ALL ELECTRICAL CHASSIS GROUND CONNECTIONS WILL USE STAR WASHERS.
- ALL EXTERIOR WIRING CONNECTIONS WILL BE COVERED WITH MASTIC LINED HEAT SHRINK TUBING.

NEXT ASSY.: NONE

SUPERCEDES: 0016506

DO NOT SCALE DRAWING

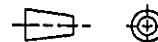
MARK PART NUMBER AND REVISION ON ALL PARTS

THIS DRAWING IS THE PROPERTY OF ELDORADO NATIONAL COMPANY, A THOR INDUSTRIES COMPANY AND IS NOT TO BE DUPLICATED OR USED IN ANY WAY DETRIMENTAL TO THEIR BEST INTEREST.

REV.	BY	DATE	DESCRIPTION	ER NUMBER
-	DWR	8/20/98	RELEASE TO PRODUCTION	03626

TOLERANCE UNLESS SPECIFIED

FRACTIONS ± 1/16  
 DECIMALS .00 ± .06  
 ANGLES ± 1 DEG.



THIRD ANGLE



304 AVENUE B  
 SO. INDUSTRIAL AREA  
 SALINA, KS. 67401

ELDORADO NATIONAL CO. A THOR INDUSTRIES COMPANY

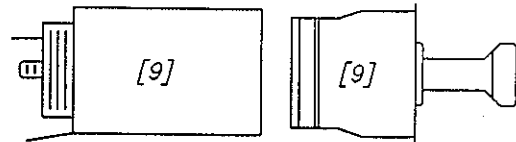
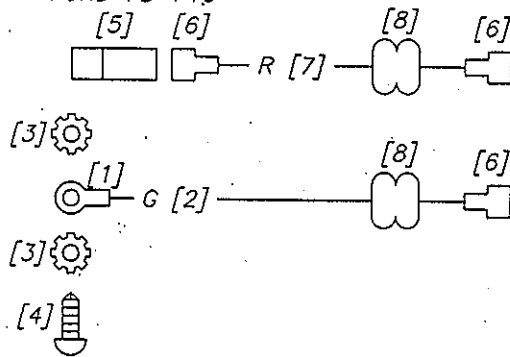
TITLE:  
 CLOCK SCHEMATIC, DIGITAL  
 #7742000V

MAT'L SPEC.  
 SEE B.O.M.

DRAWN: REED	CKD.:	PART NUMBER
DATE: 8/20/98	SIZE: A	0024979 1/1
SCALE: 1=4	WT.:	


ITEM	QTY.	PART NO.	DESCRIPTION
1	1	62160	CONN, RING 10-12 AWG X #10 INS
2	3.00	69285	WIRE, GXL 10 AWG GREEN G 1 @ 36.00"
3	2	0001305	WASHER, #8 EXT STAR
4	1	116920	SCREW, TEK #8 X 1/2 PH PHIL
5	1	61990	TERM, ATO TERM DISCONNECT
6	3	62042	CONN, FEM PUSHON 10-12 AWG ENC
7	3.00	69265	WIRE, GXL 10 AWG RED R 1 @ 36.00"
8	6.00	69850	FLEXLOOM, 1/4" SLIT 2 @ 36.00"
9	1	66760	RECEPTACLE & ELEMENT, LIGHTER 12V
10			

INTERIOR  
FORD FB-F10



NOTE

- [Y] WHERE Y REFERS TO THE B.O.M. ITEM NUMBER.
- ALL ELECTRICAL CHASSIS GROUND CONNECTIONS WILL USE STAR WASHERS.
- ALL EXTERIOR WIRING CONNECTIONS WILL BE COVERED WITH MASTIC LINED HEAT SHRINK TUBING.

NEXT ASSY.: NONE								304 AVENUE B SO. INDUSTRIAL AREA SALINA, KS. 67401	
SUPERCEDES: NONE		A		BJM 4/2/97		COMBINED LTR ELEMENT & RECEPTACLE		02333	
DO NOT SCALE DRAWING		-		DWR 04/21/98		RELEASE TO PRODUCTION		01734	
MARK PART NUMBER AND REVISION ON ALL PARTS		REV.		BY		DATE		DESCRIPTION	
THIS DRAWING IS THE PROPERTY OF ELDERADO NATIONAL COMPANY, A THOR INDUSTRIES COMPANY AND IS NOT TO BE DUPLICATED OR USED IN ANY WAY DETRIMENTAL TO THEIR BEST INTEREST.		TOLERANCE UNLESS SPECIFIED		DRAWING INFORMATION		DRAWN/FREED		CKD/	
		FRACTIONS ± 1/16		DATE 05/20/98		SIZE: B		PART NUMBER	
		DECIMALS .00 ± .06		SCALE: 1=1		WT.		0022904	
		ANGLES ± 1 DEG.						WATL SPEC. SEE B.O.M.	
								PAGE	
								1 of 1	