

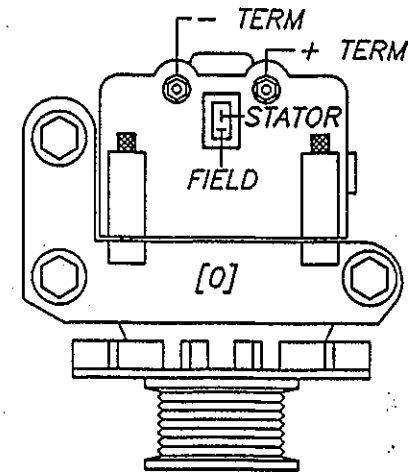
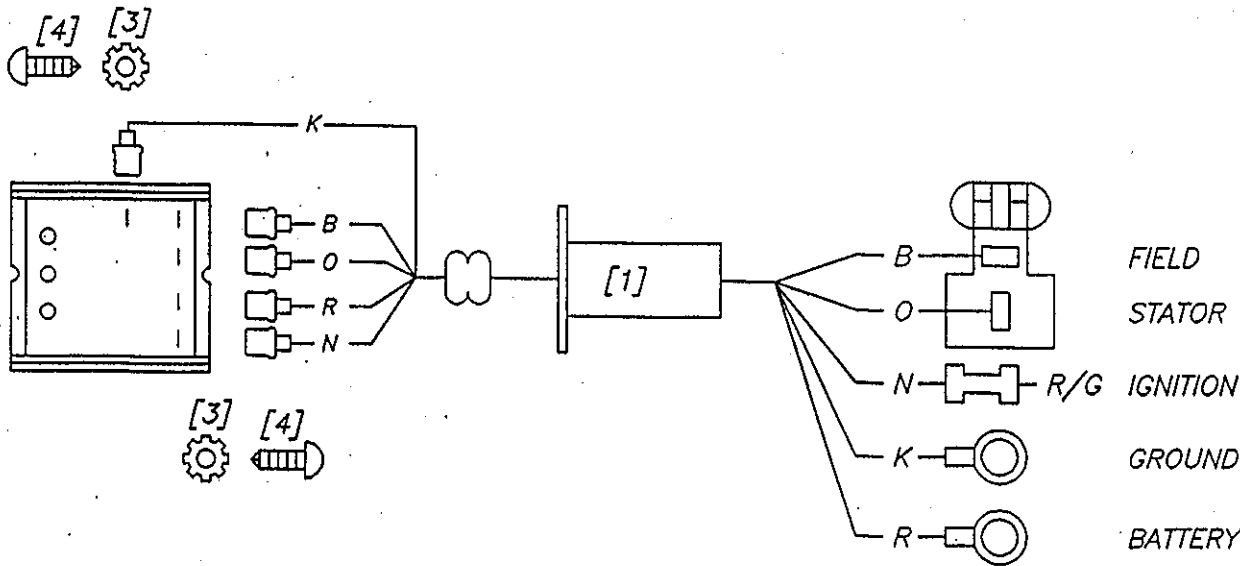
SECTION 27 - ALTERNATOR


0024349	ALTERNATOR ASM, 200A PX5 7.3L DSL FORD
0024348	ALTERNATOR ASM, 200A PX5 6.8L GAS FORD
0024424	ALTERNATOR ASM, 200A PX5 5.4L GAS FORD
0023443	SCHEMATIC, PX 6.8L & 5.4L GAS ALT
0022264	SCHEMATIC, PX 7.3L DSL ALT
0023885	ALT, PX 7.3L DSL SCHEMATIC
0023886	ALT, 190A EXT RECT AT/AL SCHEMATIC
0023525	SCHEMATIC, '97 AT/AL GAS 170A ALT EXT REG + EXT RECT
0023560	SCHEMATIC, '97 AT/AL DSL 170A ALT EXT REG + EXT RECT
0022632	SCHEMATIC, DSL LN 165A ALTERNATOR INT. REG & INT RECT
0023736	SCHEMATIC, '97 GAS AT/AL ALT 165A LN EXT RECT & EXT REG
0022519	SCHEMATIC, 200A LN ALT EXT REG & EXT RECT
0023732	SCHEMATIC, '97 GAS AT/AL 165A LN ALT INT REC & EXT REG
0024431	SCHEMATIC, '97 5.4L GAS AT/AL 165A LN ALT INT REC & EXT REG
0021972	SCHEMATIC, ALT 165A PWR LN EXT REC & EXT RECT (DSL)
0022443	SCHEMATIC, 200-0-200 A AMMETER CIRCUIT
0022615	SCHEMATIC, PWRLN VOLTAGE REGULATOR & HARNESS
0024109	MONITOR ASM, PENNTEX CHARGING

NOTE

1. [Y] WHERE Y REFERS TO THE B.O.M. ITEM NUMBER.
2. ALL ELECTRICAL CHASSIS GROUND CONNECTIONS WILL USE STAR WASHERS.
3. ALL EXTERIOR WIRING CONNECTIONS WILL BE COVERED WITH MASTIC LINED HEAT SHRINK TUBING.

ITEM	QTY.	PART NO.	DESCRIPTION
0	1	121396	ALT, PX5 200A 7.3L DSL
1	1	121300	HARNES, AT/AL PX VOLT REG
2	1	126123	REG, PX VOLT
3	2	0001305	WASHER, #8 EXT STAR
4	2	1.16920	SCREW, TEK #8 X 1/2 PH PHIL

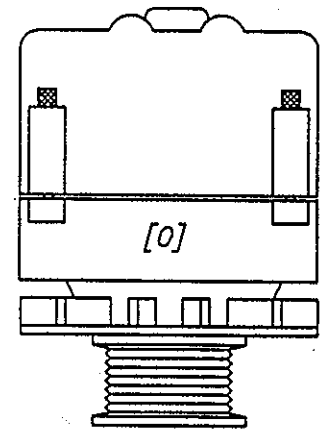
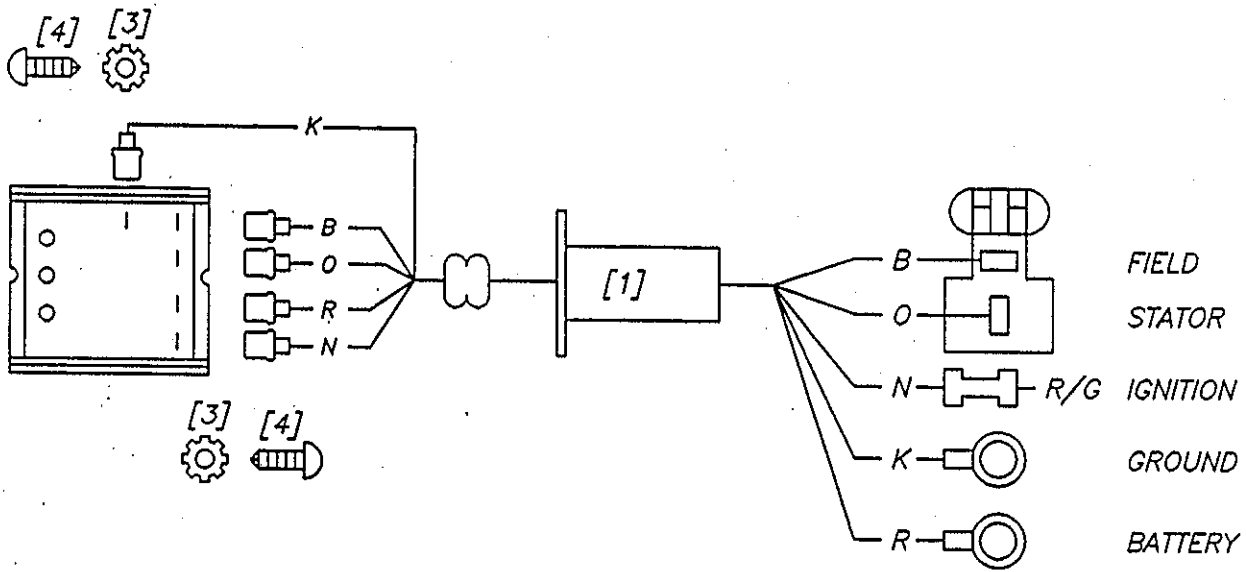



NEXT ASSY.: NONE				 304 AVENUE B SO. INDUSTRIAL AREA SALINA, KS. 67401							
SUPERCEDES: NONE											
DO NOT SCALE DRAWING				-	JWW 12/9/97	RELEASE TO PRODUCTION	03021	ELDORADO NATIONAL CO. A THOR INDUSTRIES COMPANY TITLE: ALTERNATOR ASM, 200A PX5 7.3L DSL FORD #4372			
MARK PART NUMBER AND REVISION ON ALL PARTS				REV.	BY	DATE	DESCRIPTION	ER NUMBER	MAT'L SPEC. SEE B.O.M.		
THIS DRAWING IS THE PROPERTY OF ELDORADO NATIONAL COMPANY, A THOR INDUSTRIES COMPANY AND IS NOT TO BE DUPLICATED OR USED IN ANY WAY DETRIMENTAL TO THEIR BEST INTEREST.				TOLERANCE UNLESS SPECIFIED			DRAWING INFORMATION				
				FRACTIONS ± 1/16			DRAWN: WARD	CKD.:		PART NUMBER	
				DECIMALS .00 ± .06			DATE: 12/9/97	SIZE: A		0024349	
ANGLES ± 1 DEG.			SCALE: 1=1			WT.:					
								PAGE 1 of 1			

NOTE

1. [Y] WHERE Y REFERS TO THE B.O.M. ITEM NUMBER.
2. ALL ELECTRICAL CHASSIS GROUND CONNECTIONS WILL USE STAR WASHERS.
3. ALL EXTERIOR WIRING CONNECTIONS WILL BE COVERED WITH MASTIC LINED HEAT SHRINK TUBING.

ITEM	QTY.	PART NO.	DESCRIPTION
0	1	121395	ALT. PX5 200A 6.8L GAS
1	1	121300	HARNESS, AT/AL PX VOLT REG
2	1	126123	REG, PX VOLT
3	2	0001305	WASHER, #8 EXT STAR
4	2	116920	SCREW, TEK #8 X 1/2 PH PHIL
5	1	121397	ALT. BRACKET, PX5 6.8L GAS

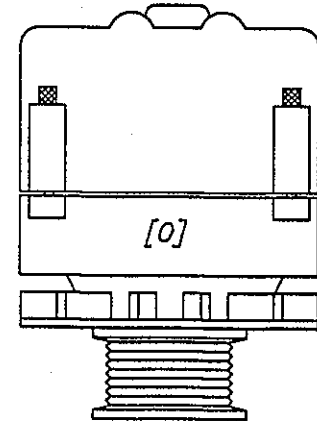
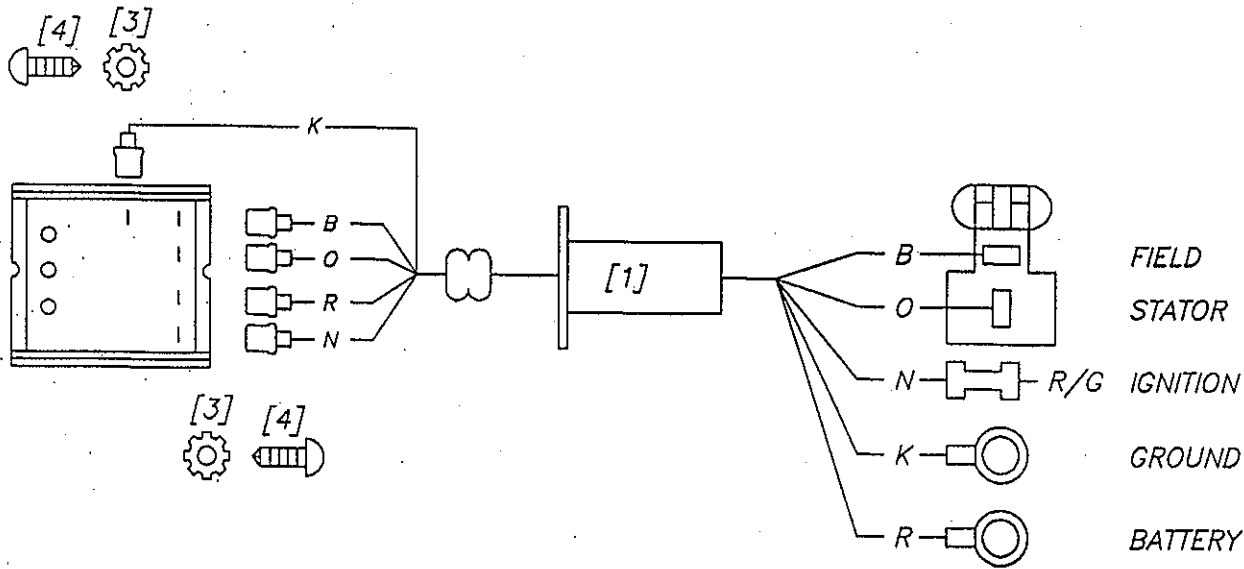



NEXT ASSY.: NONE						 304 AVENUE B SO. INDUSTRIAL AREA SALINA, KS. 67401	
SUPERCEDES: NONE							ELDORADO NATIONAL CO. A THOR INDUSTRIES COMPANY
DO NOT SCALE DRAWING		-	JWW	12/9/97	RELEASE TO PRODUCTION	03021	TITLE: ALTERNATOR ASM, 200A PX5 6.8L GAS FORD #4372
MARK PART NUMBER AND REVISION ON ALL PARTS		REV.	BY	DATE	DESCRIPTION	ER NUMBER	MAT'L SPEC. SEE B.O.M.
THIS DRAWING IS THE PROPERTY OF ELDORADO NATIONAL COMPANY, A THOR INDUSTRIES COMPANY AND IS NOT TO BE DUPLICATED OR USED IN ANY WAY DETRIMENTAL TO THEIR BEST INTEREST.		TOLERANCE UNLESS SPECIFIED			DRAWING INFORMATION		
		FRACTIONS ± 1/16			DRAWN: WARD CKD.:		
		DECIMALS .00 ± .08			DATE: 12/9/97 SIZE: A		
ANGLES ± 1 DEG.			SCALE: 1=1			WT.:	
						PART NUMBER	PAGE
						0024348	1 of 1

NOTE

1. [Y] WHERE Y REFERS TO THE B.O.M. ITEM NUMBER.
2. ALL ELECTRICAL CHASSIS GROUND CONNECTIONS WILL USE STAR WASHERS.
3. ALL EXTERIOR WIRING CONNECTIONS WILL BE COVERED WITH MASTIC LINED HEAT SHRINK TUBING.
4. ALT BRKT. ONLY FITS WITH A\C TIE-IN SYSTEMS

ITEM	QTY.	PART NO.	DESCRIPTION
0	1	121395	ALT, PX5 200A 6.8L GAS
1	1	121300	HARNESS, AT/AL PX VOLT REG
2	1	126123	REG, PX VOLT
3	2	0001305	WASHER, #8 EXT STAR
4	2	116920	SCREW, TEK #8 X 1/2 PH PHIL
5	1	121398	ALT. BRACKET, PX5 5.4L GAS

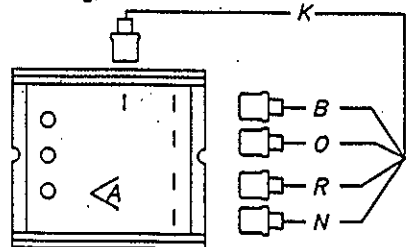
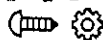


NEXT ASSY.: NONE						 <p>304 AVENUE B SO. INDUSTRIAL AREA SALINA, KS. 67401</p>	
SUPERCEDES: NONE							
DO NOT SCALE DRAWING		-	BJM	1/14/98	RELEASE TO PRODUCTION	03104	
MARK PART NUMBER AND REVISION ON ALL PARTS		REV.	BY	DATE	DESCRIPTION	ER NUMBER	
THIS DRAWING IS THE PROPERTY OF ELDORADO NATIONAL COMPANY, A THOR INDUSTRIES COMPANY AND IS NOT TO BE DUPLICATED OR USED IN ANY WAY DETRIMENTAL TO THEIR BEST INTEREST.		TOLERANCE UNLESS SPECIFIED			DRAWING INFORMATION		
		FRACTIONS ± 1/16			DRAWN: VARD	CKD.:	
		DECIMALS .00 ± .06			DATE: 1/14/98	SIZE: A	
		ANGLES ± 1 DEG.			SCALE: NTS	WT.:	
MAT'L SPEC. SEE B.O.M.						PART NUMBER	PAGE
						0024424	1 of 1

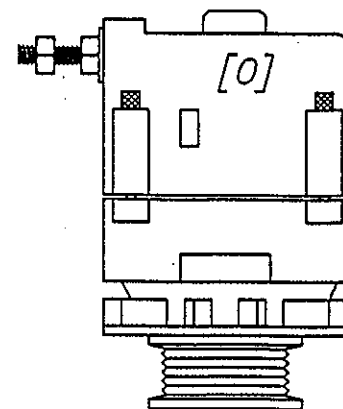
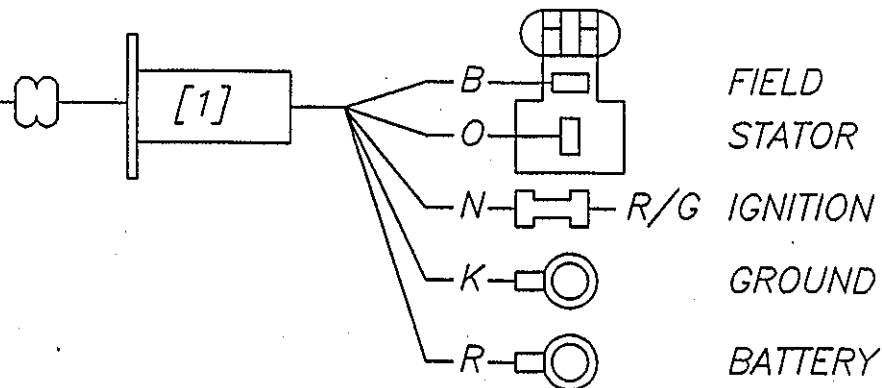
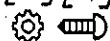
0023443

ITEM	QTY.	PART NO.	DESCRIPTION
0	1	121309	ALT, PX 170A 6.8L & 5.4L
1	1	121300	HARNESS, AT/AL PX VOLT REG
2	1	126123	REG, PX VOLT
3	2	0001305	WASHER, #8 EXT STAR
4	2	116920	SCREW, TEK #8 X 1/2 PH PHIL
5	-	-	-

[4][3]




[3][4]



NOTE

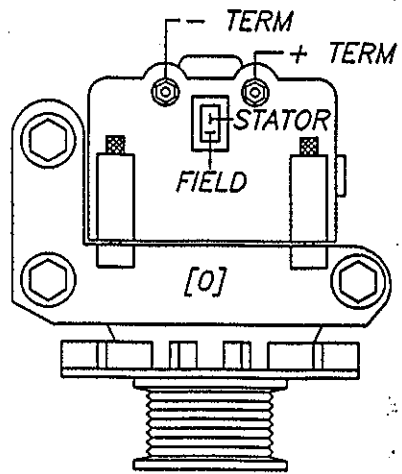
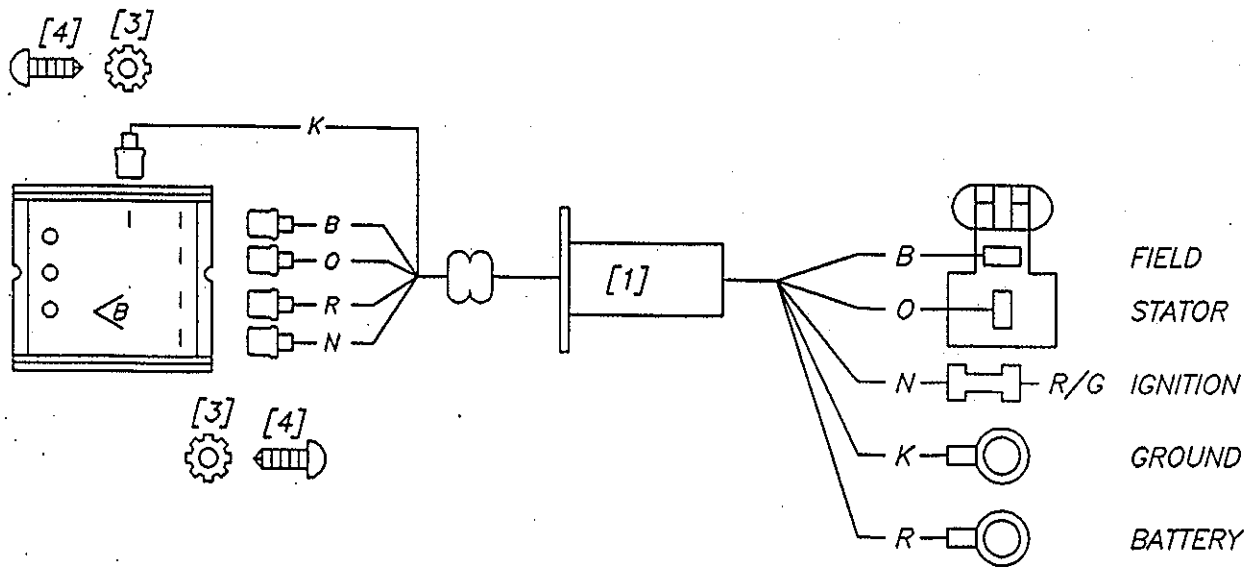
- [Y] WHERE Y REFERS TO THE B.O.M. ITEM NUMBER.
- ALL ELECTRICAL CHASSIS GROUND CONNECTIONS WILL USE STAR WASHERS.
- ALL EXTERIOR WIRING CONNECTIONS WILL BE COVERED WITH MASTIC LINED HEAT SHRINK TUBING.


NEXT ASSY.: NONE				 304 AVENUE B SO. INDUSTRIAL AREA SALINA, KS. 67401 ELDORADO NATIONAL CO. A THOR INDUSTRIES COMPANY			
SUPERCEDES: 0022262 & 0022263		A	JWW 12/9/97			CHANGED REGULATOR	03021
DO NOT SCALE DRAWING		-	BJM 2/5/97	RELEASE TO PRODUCTION	02158		
MARK PART NUMBER AND REVISION ON ALL PARTS		REV.	BY	DATE	DESCRIPTION	ER NUMBER	
THIS DRAWING IS THE PROPERTY OF ELDORADO NATIONAL COMPANY, A THOR INDUSTRIES COMPANY AND IS NOT TO BE DUPLICATED OR USED IN ANY WAY DETRIMENTAL TO THEIR BEST INTEREST.		TOLERANCE UNLESS SPECIFIED			DRAWING INFORMATION		
		FRACTIONS ± 1/16			DRAWN: MCGUILLAN	CKD.:	
		DECIMALS .00 ± .06			DATE: 2/5/97	SIZE: A	
		ANGLES ± 1 DEG.			SCALE: 1/4	WT.:	
					PART NUMBER	PAGE	
					0023443	1 of 1	

NOTE

1. [Y] WHERE Y REFERS TO THE B.O.M. ITEM NUMBER.
2. ALL ELECTRICAL CHASSIS GROUND CONNECTIONS WILL USE STAR WASHERS.
3. ALL EXTERIOR WIRING CONNECTIONS WILL BE COVERED WITH MASTIC LINED HEAT SHRINK TUBING.

ITEM	QTY.	PART NO.	DESCRIPTION
0	1	121305	ALT, PX 170A TMNT 7.3L DSL
1	1	121300	HARNESS, AT/AL PX VOLT REG
2	1	126123	REG, PX VOLT
3	2	0001305	WASHER, #8 EXT STAR
4	2	116920	SCREW, TEK #8 X 1/2 PH PHIL
5			



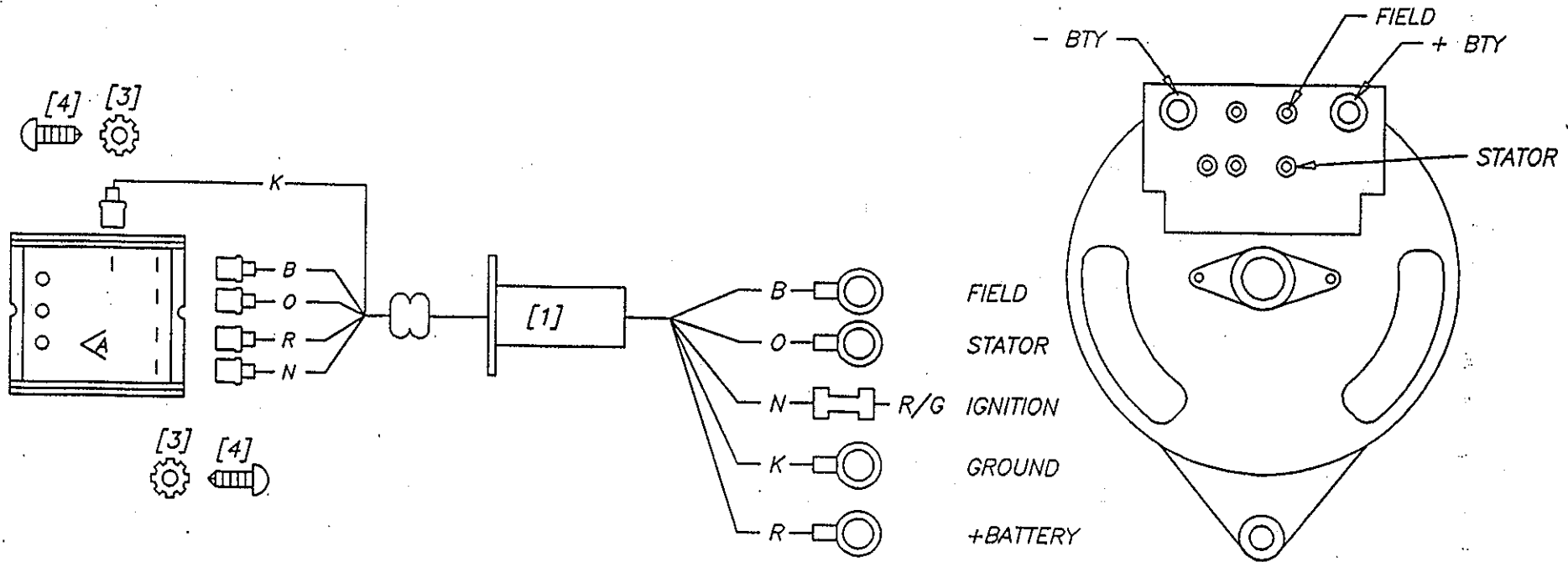
NEXT ASSY.: NONE		B	JWW	12/9/97	CHANGED REGULATOR	03021	 <p>304 AVENUE B SO. INDUSTRIAL AREA SALINA, KS. 67401</p> <p>ELDORADO NATIONAL CO. A THOR INDUSTRIES COMPANY</p>
SUPERCEDES: NONE		A	DWR	08/25/95	VENDOR DELETED YELLOW WIRES	01410	
DO NOT SCALE DRAWING		-	DWR	06/30/95	RELEASE TO PRODUCTION	01295	
MARK PART NUMBER AND REVISION ON ALL PARTS		REV.	BY	DATE	DESCRIPTION	ER NUMBER	
<p>THIS DRAWING IS THE PROPERTY OF ELDORADO NATIONAL COMPANY, A THOR INDUSTRIES COMPANY AND IS NOT TO BE DUPLICATED OR USED IN ANY WAY DETRIMENTAL TO THEIR BEST INTEREST.</p>		TOLERANCE UNLESS SPECIFIED			DRAWING INFORMATION		<p>MAT'L SPEC. SEE B.O.M.</p> <p>PART NUMBER 0022264</p> <p>PAGE 1 of 1</p>
		FRACTIONS ± 1/16			DRAWN: REED CKD.:		
		DECIMALS .00 ± .08			DATE: 06/27/95 SIZE: A		
		ANGLES ± 1 DEG.			SCALE: 1=1 WT.:		


NOTE

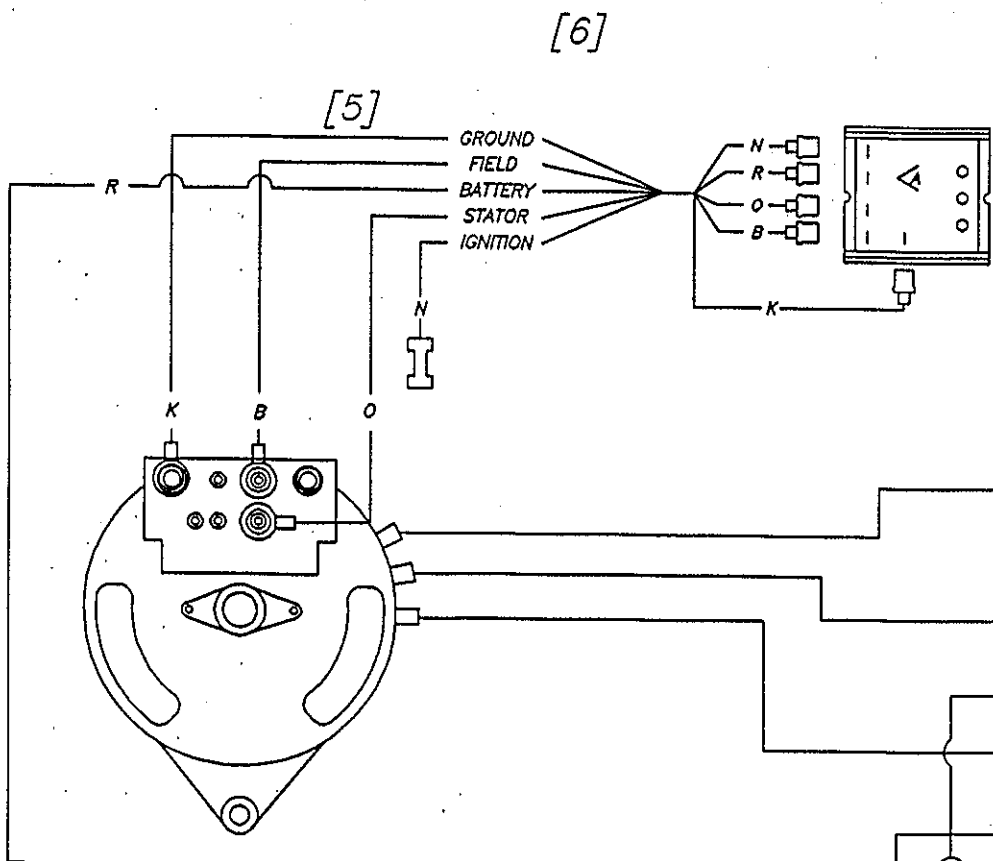
1. [Y] WHERE Y REFERS TO THE B.O.M. ITEM NUMBER.
2. ALL ELECTRICAL CHASSIS GROUND CONNECTIONS WILL USE STAR WASHERS.
3. ALL EXTERIOR WIRING CONNECTIONS WILL BE COVERED WITH MASTIC LINED HEAT SHRINK TUBING.
4. NS - NOT SHOWN ON THIS DRAWING

ITEM	QTY.	PART NO.	DESCRIPTION
0	1	121392	ALT. PX 190A TMNT 7.3L DSL
1	1	121303	HARNES, AT/AL PX VOLT REG
2	1	126123	REG, PX VOLT
3	2	0001305	WASHER, #8 EXT STAR
4	2	116920	SCREW, TEK #8 X 1/2 PH PHIL
5	1	0023870	HARNES, 97 ALT GROUND
6	1	0023562	HARNES, 97 STD ALT TO RH BTY

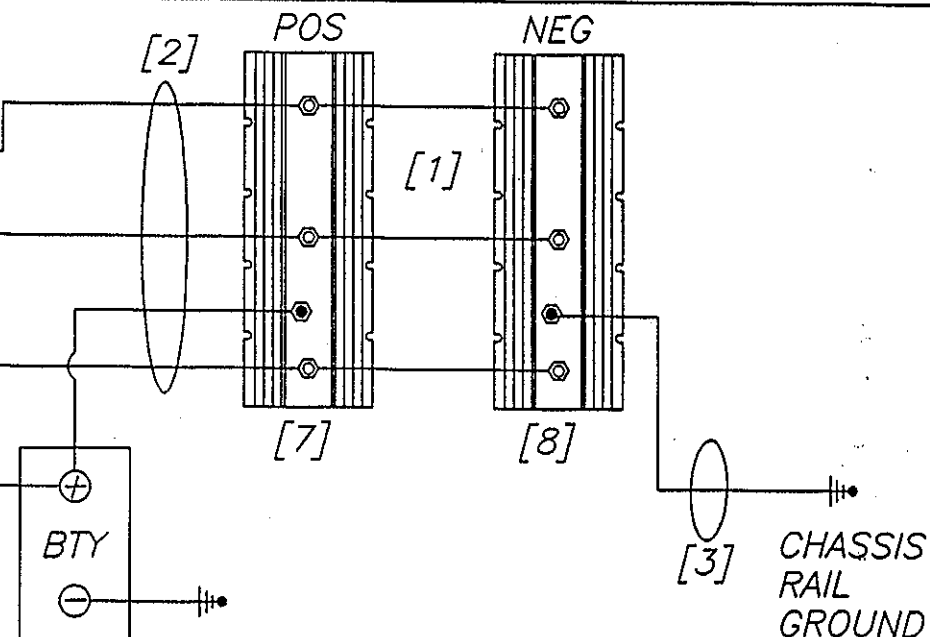
NS
NS



NEXT ASSY.: NONE						 304 AVENUE B SO. INDUSTRIAL AREA SALINA, KS. 67401		
SUPERCEDES: NONE							ELDORADO NATIONAL CO. A THOR INDUSTRIES COMPANY	
DO NOT SCALE DRAWING		A	JWW	12/9/97	CHANGED REGULATOR	03021	TITLE: ALT, PX 7.3L DSL SCHEMATIC	
MARK PART NUMBER AND REVISION ON ALL PARTS		-	JWW	6/30/97	RELEASE TO PRODUCTION	02537	121303	
THIS DRAWING IS THE PROPERTY OF ELDERADO NATIONAL COMPANY, A THOR INDUSTRIES COMPANY AND IS NOT TO BE DUPLICATED OR USED IN ANY WAY DETRIMENTAL TO THEIR BEST INTEREST.		TOLERANCE UNLESS SPECIFIED		DRAWING INFORMATION				
		FRACTIONS ± 1/16		DRAWN: WARD		CKD.:		PART NUMBER
		DECIMALS .00 ± .06		DATE: 6/30/97		SIZE: A		0023885
		ANGLES ± 1 DEG.		SCALE: 1=1		WT.:		
							PAGE 1 OF 1	



ITEM	QTY.	PART NO.	DESCRIPTION
1	1	0023523	ASM, EXT PX RECT.
2	1	0023117	HARNES, EXT LN RECT.
3	1	0023160	HARNES, BATTERY NEG.
4	1	121393	ALT, PX 190A 7.3L EXT REC
5	1	121303	HARNES, AT/AL PX VOLT REG.
6	1	126123	VOLTAGE REGULATOR, PENNTEX
7	REF	121314	RECT., 200A POS BRIDGE
8	REF	121315	RECT., 200A NEG. BRIDGE



NOTE

1. [Y] WHERE Y REFERS TO THE B.O.M. ITEM NUMBER.
2. ALL ELECTRICAL CHASSIS GROUND CONNECTIONS WILL USE STAR WASHERS.
3. ALL EXTERIOR WIRING CONNECTIONS WILL BE COVERED WITH MASTIC LINED HEAT SHRINK TUBING.
4. NS = NOT SHOWN

NEXT ASSY.: NONE
 SUPERCEDES: NONE
DO NOT SCALE DRAWING
 MARK PART NUMBER AND REVISION ON ALL PARTS

REV.	BY	DATE	DESCRIPTION	ER NUMBER
A	JWW	12/9/97	CHANGED REGULATOR	03021
-	JWW	6/30/97	RELEASE TO PRODUCTION	02537



304 AVENUE B
 SO. INDUSTRIAL AREA
 SALINA, KS. 67401

ELDORADO NATIONAL CO. A THOR INDUSTRIES COMPANY

TITLE:
 ALT, 190A EXT RECT AT/AL SCHEMATIC

THIS DRAWING IS THE PROPERTY OF ELDORADO NATIONAL COMPANY, A THOR INDUSTRIES COMPANY AND IS NOT TO BE DUPLICATED OR USED IN ANY WAY DETRIMENTAL TO THEIR BEST INTEREST.

TOLERANCE UNLESS SPECIFIED
 FRACTIONS ± 1/16
 DECIMALS .00 ± .06
 ANGLES ± 1 DEG.

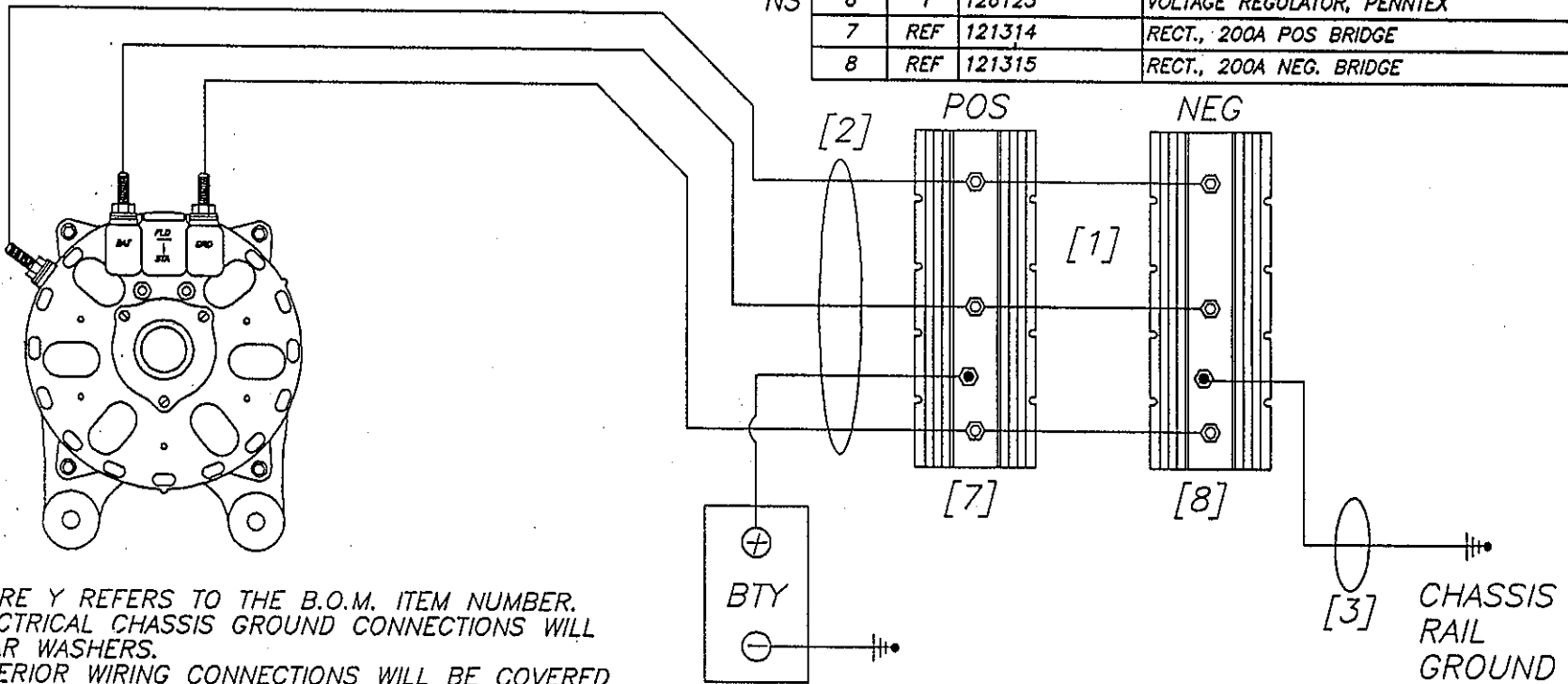
DRAWING INFORMATION
 DRAWN: WARD CKD.:
 DATE: 6/30/97 SIZE: A
 SCALE: 1/4 WT.:

MAT'L SPEC.
 SEE BOM

PART NUMBER
 0023886


0023525

ITEM	QTY.	PART NO.	DESCRIPTION
1	1	0023523	ASM, EXT PX RECT.
2	1	0023117	HARNES, EXT LN RECT.
3	1	0023160	HARNES, BATTERY NEG.
4	1	121450	ALT, PX 200A 6.BL + 5.4L EXT REC
NS	5	121300	HARNES, AT\AL PX VOLT REG.
NS	6	126123	VOLTAGE REGULATOR, PENNTEX
7	REF	121314	RECT., 200A POS BRIDGE
8	REF	121315	RECT., 200A NEG. BRIDGE



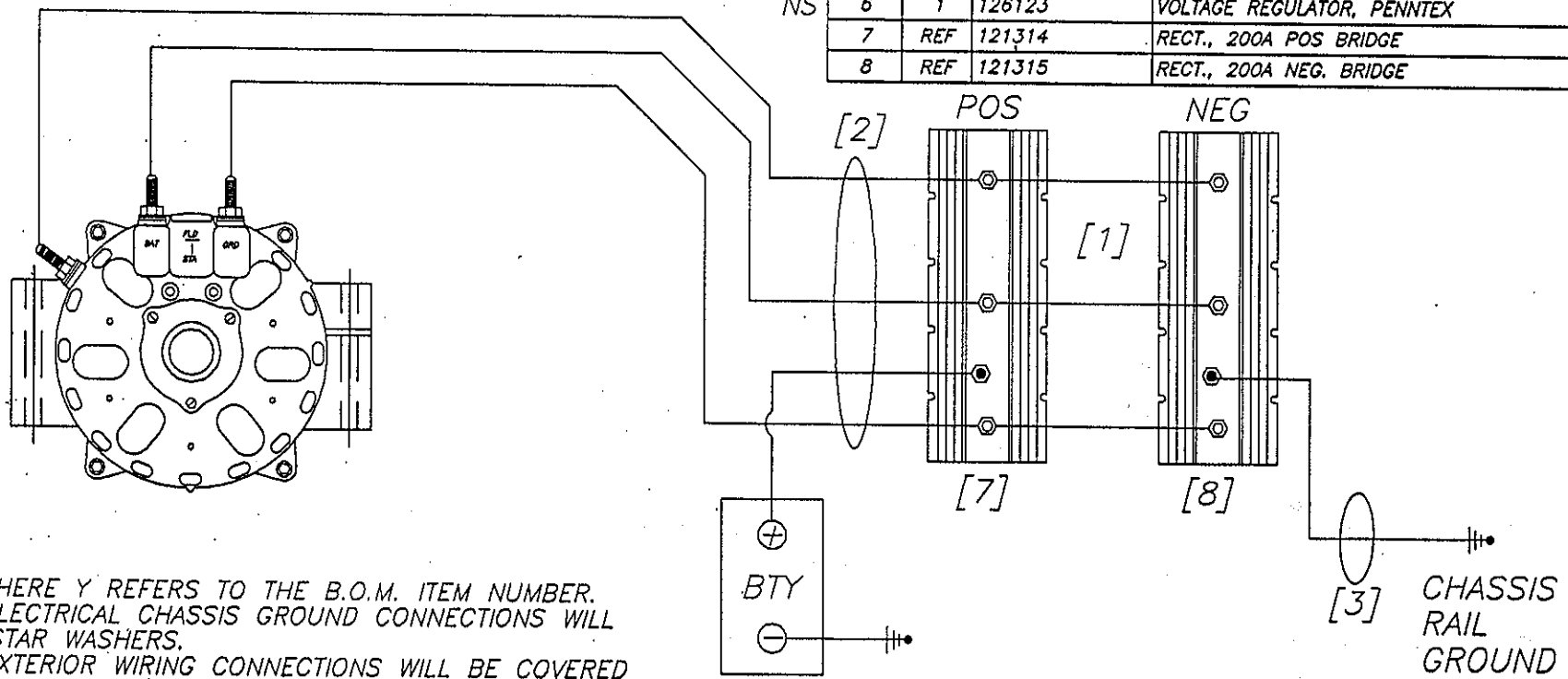
NOTE

1. [Y] WHERE Y REFERS TO THE B.O.M. ITEM NUMBER.
2. ALL ELECTRICAL CHASSIS GROUND CONNECTIONS WILL USE STAR WASHERS.
3. ALL EXTERIOR WIRING CONNECTIONS WILL BE COVERED WITH MASTIC LINED HEAT SHRINK TUBING.
4. NS = NOT SHOWN


NEXT ASSY.: NONE						 304 AVENUE B SO. INDUSTRIAL AREA SALINA, KS. 67401		
SUPERCEDES: 0021057							ELDORADO NATIONAL CO. A THOR INDUSTRIES COMPANY	
DO NOT SCALE DRAWING		-	BJM	2/24/97	RELEASE TO PRODUCTION	02209	TITLE: SCHEMATIC, 97 AT/AL GAS 170A ALT EXT REG + EXT RECT #4313	
MARK PART NUMBER AND REVISION ON ALL PARTS		REV.	BY	DATE	DESCRIPTION	ER NUMBER	MAT'L SPEC.	
THIS DRAWING IS THE PROPERTY OF ELDORADO NATIONAL COMPANY, A THOR INDUSTRIES COMPANY AND IS NOT TO BE DUPLICATED OR USED IN ANY WAY DETRIMENTAL TO THEIR BEST INTEREST.		TOLERANCE UNLESS SPECIFIED			DRAWING INFORMATION			
		FRACTIONS ± 1/16			DRAWN: McQUILLAN	CKD.:		PART NUMBER
		DECIMALS .00 ± .06			DATE: 2/24/97	SIZE: A		0023525
		ANGLES ± 1 DEG.			SCALE: 1/4	WT.:	PAGE 1 of 1	

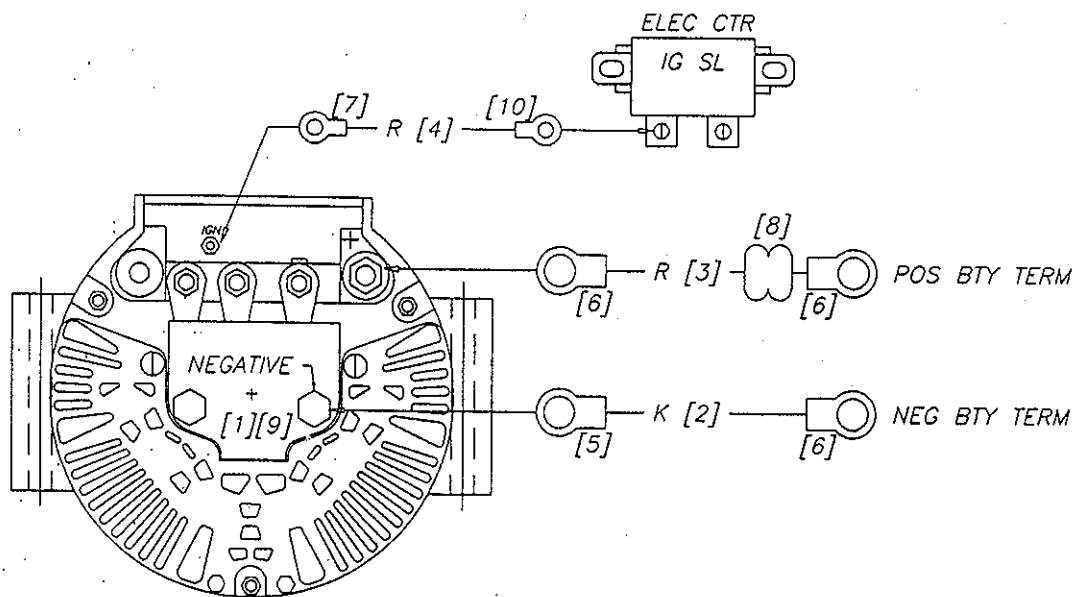
0023525

ITEM	QTY.	PART NO.	DESCRIPTION
1	1	0023523	ASM, EXT PX RECT.
2	1	0023117	HARNESS, EXT LN RECT.
3	1	0023160	HARNESS, BATTERY NEG.
4	1	121451	ALT, PX 200A 7.3L EXT REC
NS	1	121300	HARNESS, AT\AL PX VOLT REG.
NS	1	126123	VOLTAGE REGULATOR, PENNTEX
7	REF	121314	RECT., 200A POS BRIDGE
8	REF	121315	RECT., 200A NEG. BRIDGE



- NOTE
- [Y] WHERE Y REFERS TO THE B.O.M. ITEM NUMBER.
 - ALL ELECTRICAL CHASSIS GROUND CONNECTIONS WILL USE STAR WASHERS.
 - ALL EXTERIOR WIRING CONNECTIONS WILL BE COVERED WITH MASTIC LINED HEAT SHRINK TUBING.
 - NS = NOT SHOWN

NEXT ASSY.: NONE						 304 AVENUE B SO. INDUSTRIAL AREA SALINA, KS. 67401		
SUPERCEDES: 0021972								ELDORADO NATIONAL CO. A THOR INDUSTRIES COMPANY
DO NOT SCALE DRAWING		-	BJM	3/5/97	RELEASE TO PRODUCTION	02261	TITLE:	
MARK PART NUMBER AND REVISION ON ALL PARTS		REV.	BY	DATE	DESCRIPTION	ER NUMBER	SCHEMATIC, 97 AT\AL DSL 170A ALT EXT REG + EXT RECT #4335	
THIS DRAWING IS THE PROPERTY OF ELDORADO NATIONAL COMPANY, A THOR INDUSTRIES COMPANY AND IS NOT TO BE DUPLICATED OR USED IN ANY WAY DETRIMENTAL TO THEIR BEST INTEREST.		TOLERANCE UNLESS SPECIFIED			DRAWING INFORMATION			
		FRACTIONS ± 1/16			DRAWN: McQUILLAN	CKD.:		PART NUMBER
		DECIMALS .00 ± .06			DATE: 3/5/97	SIZE: A		0023560
ANGLES ± 1 DEG.			SCALE: 1/4	WT.:			PAGE	
							1 of 1	



NS

ITEM	QTY.	PART NO.	DESCRIPTION
1	1	121400	ALTERNATOR, LN 165A INT REG AND INT RECT
2	3.00	69750	WIRE, SGX 4 AWG BLACK K 1 @ 36.00"
3	3.00	69765	WIRE, SGX 4 AWG RED R 1 @ 36.00"
4	6.00	69065	WIRE, GXL 14 AWG RED R 1 @ 72.00"
5	1	62201	CONN, RING 4 AWG X 3/8 INS
6	3	62202	CONN, RING 4 AWG X 5/16 INS
7	1	62320	CONN, RING 14-16 AWG X #10 INS
8	3.00	69851	FLEXLOOM, 1/2 SLIT 1 @ 36.00"
9	1	0021845	PULLEY, ALTERNATOR 8 GROOVE
10	1	62325	CONN, RING 14-16 AWG X 1/4 INS
11			
12			

NOTE

- [Y] WHERE Y REFERS TO THE B.O.M. ITEM NUMBER.
- ALL ELECTRICAL CHASSIS GROUND CONNECTIONS WILL USE STAR WASHERS.
- ALL EXTERIOR WIRING CONNECTIONS WILL BE COVERED WITH MASTIC LINED HEAT SHRINK TUBING.
- NS - NOT SHOWN ON THIS DRAWING.

NEXT ASSY.: NONE

SUPERCEDES: NONE

DO NOT SCALE DRAWING

MARK PART NUMBER AND REVISION ON ALL PARTS

THIS DRAWING IS THE PROPERTY OF ELDORADO NATIONAL COMPANY, A THOR INDUSTRIES COMPANY AND IS NOT TO BE DUPLICATED OR USED IN ANY WAY DETRIMENTAL TO THEIR BEST INTEREST.

REV.	BY	DATE	DESCRIPTION	ER NUMBER
-	DWR	02/24/96	RELEASE TO PRODUCTION	01566



304 AVENUE B
SO. INDUSTRIAL AREA
SALINA, KS. 67401

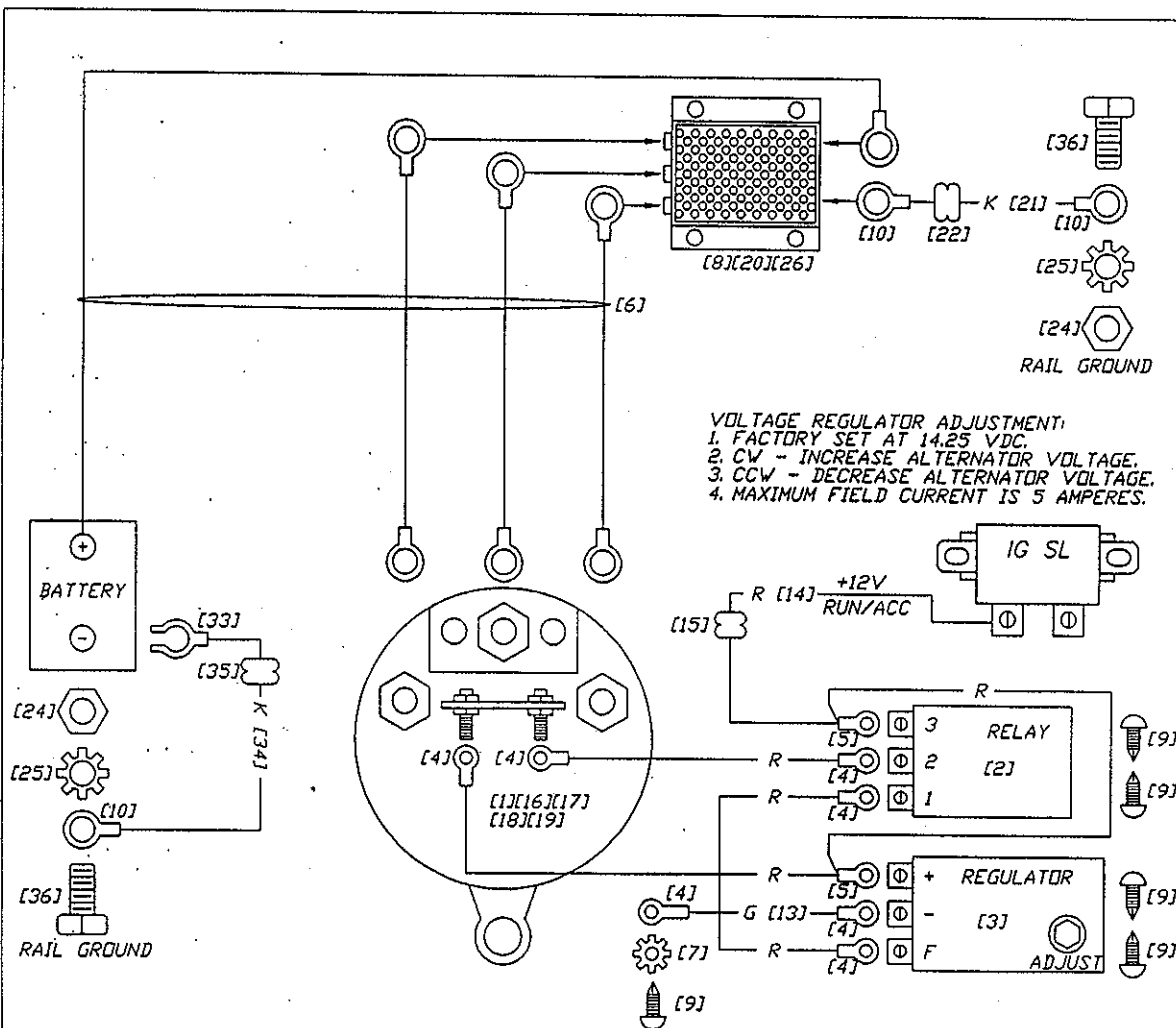
ELDORADO NATIONAL CO. A THOR INDUSTRIES COMPANY

TITLE:
SCHEMATIC, DSL LN 165A ALTERNATOR
INT. REG AND INT RECT #4305

MAT'L SPEC.
SEE B.O.M.

PART NUMBER
0022632

PAGE
1 of 1




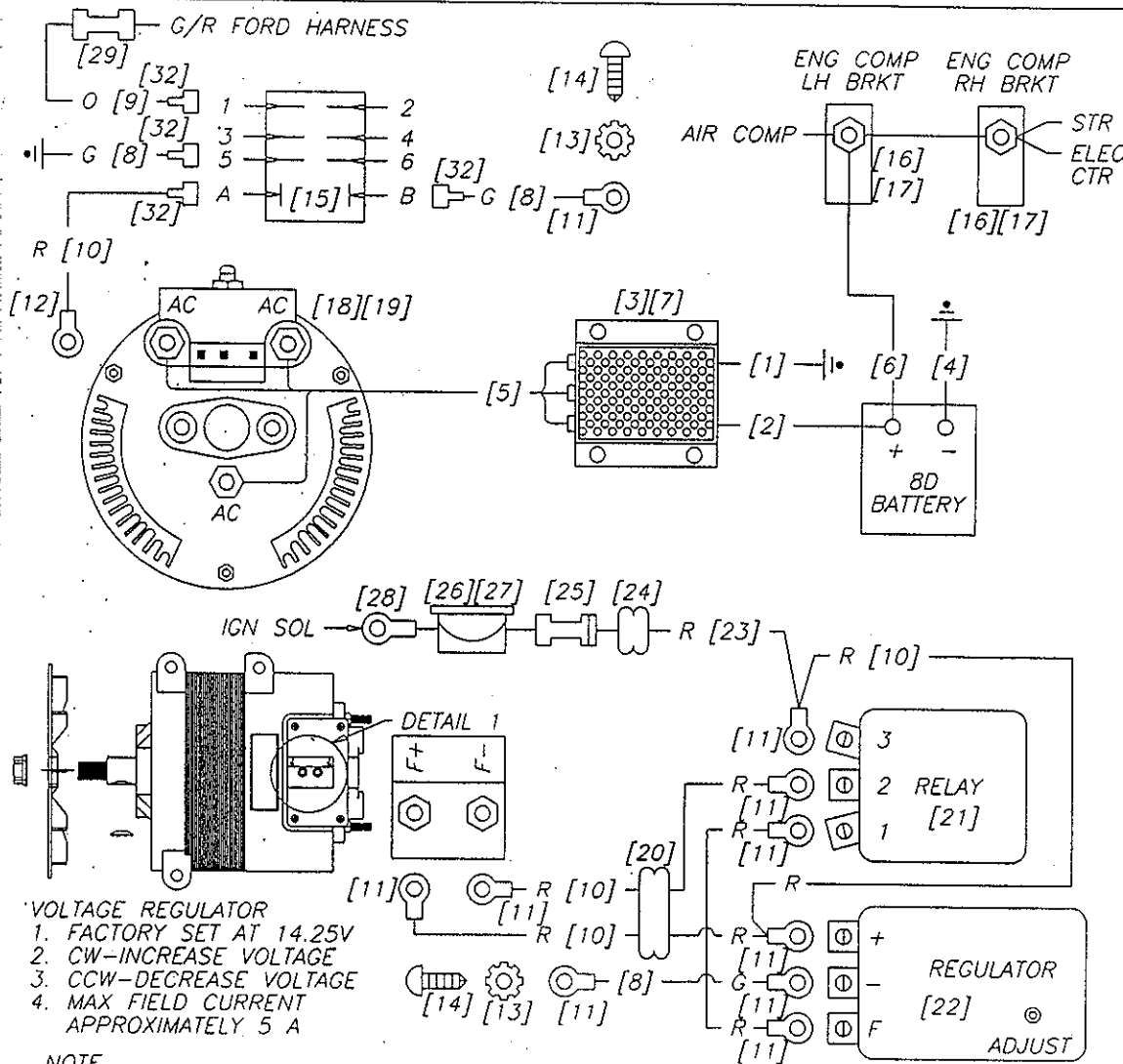
ITEM	QTY.	PART NO.	DESCRIPTION
1	1	121367	ALT, 165A LN EXT RECT & EXT REG
2	1	126140	RELAY, LN 6014R
3	1	126040	REG, VOLT LN 5078R
4	7	62320	CONN, RING 14-16 AWG X #10 INS
5	2	62160	CONN, RING 10-12 AWG X #10 INS
6	1	0023117	HARNES, EXTERNAL LN RECTIFIER
7	1	0001305	WASHER, #8 EXT STAR
8	REF	121368	RECTIFIER, LN 1111 CA
9	5	116920	SCREW, TEK #8 X 1/2" PH PHIL
10	3	62241	CONN, RING 1/0 AWG X 1/4" BARE
11			
12			
13	0.50	69085	WIRE, GXL 14 AWG GREEN G 1 @ 6.00"
14	20.00	69065	WIRE, GXL 14 AWG RED R 20.00'
15	20.00	69850	FLEXLOOM, 1/4" SLIT 20.00'
NS	1	62500	BELT, 6-GROOVE SERPENTINE 53 1/4" L
NS	1	0023704	ALT. MOUNTING BRACKET, LN V10
18			
19			
NS	1	0021841	ASM, EXTERNAL LN RECTIFIER
21	1.00	69653	WIRE, SGX 1/0 AWG BLACK K 1 @ 12.00"
22	1.00	69855	FLEXLOOM, 5/8" SLIT 1 @ 12.00"
NS	1	0022255	BRACKET, LN VOLT REG & RELAY MNTG
24	2	0000782	NUT, HEX 1/4-20 PLTD
25	2	119062	WASHER, 1/4" EXT STAR
NS	1	0022221	LOC, LN EXT RECT MNTG
27	1	60443	TERM, BATTERY 1/0 AWG NEGATIVE
28	4.00	69653	WIRE, SGX 1/0 AWG BLACK K 1 @ 48.00"
29	4.00	69855	FLEXLOOM, 5/8" SLIT 1 @ 48.00"
30	2	0000731	BOLT, HEX 1/4-20 X 1" PLTD
31			
32			

- NOTE
- [Y] WHERE Y REFERS TO THE B.O.M. ITEM NUMBER.
 - ALL ELECTRICAL CHASSIS GROUND CONNECTIONS WILL USE STAR WASHERS.
 - ALL EXTERIOR WIRING CONNECTIONS WILL BE COVERED WITH MASTIC LINED HEAT SHRINK TUBING.
 - NS - NOT SHOWN
 - THIS OPTION WILL NOT FIT WITH A MAX A/C SYSTEM.

NEXT ASSY.: NONE
 SUPERCEDES: 0021057
 DO NOT SCALE DRAWING - BJM 1/29/97 RELEASE TO PRODUCTION 02401
 MARK PART NUMBER AND REVISION ON ALL PARTS REV. BY DATE DESCRIPTION EX NUMBER
 THIS DRAWING IS THE PROPERTY OF ELDOORADO NATIONAL COMPANY, A THOR INDUSTRIES COMPANY AND IS NOT TO BE DUPLICATED OR USED IN ANY WAY DETRIMENTAL TO THEIR BEST INTEREST.

TOLERANCE UNLESS SPECIFIED		DRAWING INFORMATION	
FRACTIONS ± 1/16	DECIMALS .00 ± .06	DATE: 5/29/97	SCALE: NTS
ANGLES ± 1 DEG.		DRAWING/CULLAN CKD:	PART NUMBER
		WT.:	0023736


 304 AVENUE B
 501 INDUSTRIAL AREA
 SALINA, KS. 67401
 ELDOORADO NATIONAL CO. A THOR INDUSTRIES COMPANY
 TITLE: SCHEMATIC, 97 GAS AT/AL ALT 165A LN EXT RECT & EXT REG #4313
 MAT'L SPEC. SEE B.O.M.
 PAGE 1 of 1



VOLTAGE REGULATOR
 1. FACTORY SET AT 14.25V
 2. CW-INCREASE VOLTAGE
 3. CCW-DECREASE VOLTAGE
 4. MAX FIELD CURRENT APPROXIMATELY 5 A

NOTE

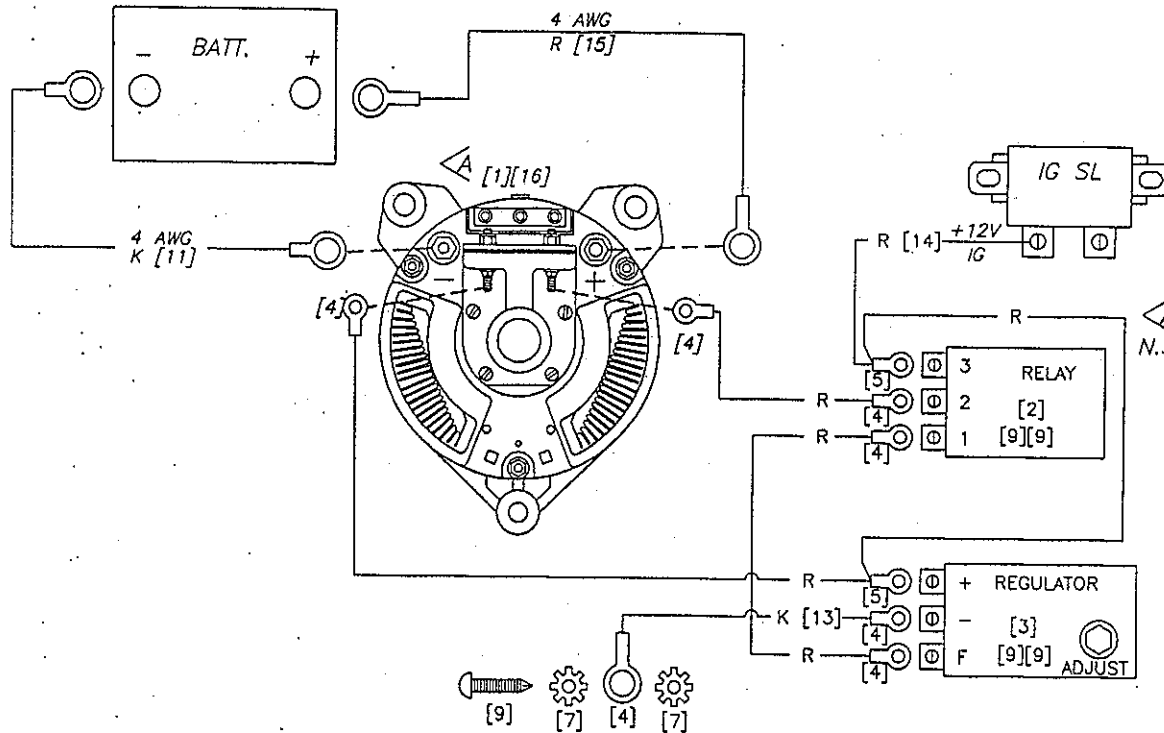
1. [Y] WHERE Y REFERS TO THE B.O.M. ITEM NUMBER.
2. ALL ELECTRICAL CHASSIS GROUND CONNECTIONS WILL USE STAR WASHERS.
3. ALL EXTERIOR WIRING CONNECTIONS WILL BE COVERED WITH MASTIC LINED HEAT SHRINK TUBING.
4. NS - NOT SHOWN

ITEM	QTY.	PART NO.	DESCRIPTION
1	1	0021836	HARNES, EXTERNAL LN RECTIFIER GROUND
2	1	0021837	HARNES, EXTERNAL LN RECTIFIER POWER
3	REF	121368	RECTIFIER, LN EXTERNAL
4	1	0021839	HARNES, 8D BATTERY GROUND
5	1	0021829	HARNES, EXTERNAL LN RECTIFIER ALTERNATOR
6	1	0021838	HARNES, 8D BTY TO ENG COMP POWER
7	1	0021841	EXTERNAL LN RECTIFIER ASM
8	3.00	69785	WIRE, GXL 16 AWG GREEN G 3 @ 12.00"
9	2.00	69725	WIRE, GXL 16 AWG ORANGE O 1 @ 24.00"
10	24.00	69766	WIRE, GXL 16 AWG RED R 4 @ 72.00"
11	10	62320	CONN, RING 14-16 AWG X #10 INS
12	1	62283	CONN, RING 14-16 AWG X 5/16 .INS
13	2	0001305	WASHER, #8 EXT STAR
14	2	116920	SCREW, TEK #8 X 1/2 PH PHIL
15	1	68317	RELAY, 6VAC DPDT WITH 3/16" SPADE TERMS
16	1	0021826	INSTALL, BATTERY STUD BRACKETS
17	1	0021815	DIAGRAM, BTY ISO STUD TORQUE & BRKT
18	REF	0021846	ALTERNATOR, 200A LN EXT REG & EXT RECT
19	1	0021844	ALT ASM, 200A LN EXT REG AND EXT RECT
20	6.00	69850	FLEXLOOM, 1/4 SLIT 1 @ 72.00"
21	1	126140	RELAY, LN 6014R
22	1	126040	REG, VOLT LN 5078R
23	10.00	69766	WIRE, GXL 16 AWG RED R 1 @ 120.00"
24	10.00	69850	FLEXLOOM, 1/4 SLIT 1 @ 120.00"
25	1	61810	CONN, BUTT 10-12/14-16 AWG INS
26	1	63241	HOLDER, BLADE FUSE
27	1	63072	FUSE, 10A BLADE
28	1	0001954	CONN, RING 14-16 AWG X 1/4 BARE
29	1	61800	CONN, BUTT 14-16 AWG INS
30	1	0022221	LOCATION, LN EXT RECT MNTG
31	1	0022255	BRACKET, LN VOLT REG & RELAY MNTG
32	4	62054	TERM, FEM 14-16 AWG 3/16" PUSH-ON ENC
33			

NS
NS
NS
NS

NEXT ASSY.: NONE
 SUPERCEDES: 0021840
 DO NOT SCALE DRAWING
 MARK PART NUMBER AND REVISION ON ALL PARTS
 THIS DRAWING IS THE PROPERTY OF ELDORADO NATIONAL COMPANY, A THOR INDUSTRIES COMPANY AND IS NOT TO BE DUPLICATED OR USED IN ANY WAY DETRIMENTAL TO THEIR BEST INTEREST.

TOLERANCE UNLESS SPECIFIED		DRAWING INFORMATION	
FRACTIONS ± 1/16	DECIMALS .00 ± .06	DATE: 12/22/95	SCALE: 1=1
ANGLES ± 1 DEG.		DRW: FREED	CKD:
		DATE: 12/22/95	SIZE: B
		SCALE: 1=1	WT:
GNC		304 AVENUE B 50. INDUSTRIAL AREA SALINA, KS 67401	
ELDORADO NATIONAL CO. A THOR INDUSTRIES COMPANY		TITLE: SCHEMATIC, 200A LN ALT EXT REG AND EXT RECT (HARNES) 4315	
REV. BY DATE DESCRIPTION		ER NUMBER	MAT'L SPEC. SEE B.O.M.
PART NUMBER		0022519	
PAGE		1 of 1	



VOLTAGE REGULATOR ADJUSTMENT:
 1. FACTORY SET AT 14.25 VDC.
 2. CW - INCREASE ALTERNATOR VOLTAGE.
 3. CCW - DECREASE ALTERNATOR VOLTAGE.
 4. MAXIMUM FIELD CURRENT IS 5 AMPERES.

NOTE

- [Y] WHERE Y REFERS TO THE B.O.M. ITEM NUMBER.
- ALL ELECTRICAL CHASSIS GROUND CONNECTIONS WILL USE STAR WASHERS.
- ALL EXTERIOR WIRING CONNECTIONS WILL BE COVERED WITH MASTIC LINED HEAT SHRINK TUBING.
- NS - NOT SHOWN ON THIS DRAWING
- THIS OPTION WILL NOT FIT WITH A MAX A/C SYSTEM.

ITEM	QTY.	PART NO.	DESCRIPTION
1	1	121363	ALT, 165A LN INT RECT & EXT REG
2	1	126140	RELAY, LN 6014R
3	1	126040	REG, VOLT LN 5078R
4	7	62320	CONN, RING 14-16 AWG X #10 INS
5	2	62160	CONN, RING 10-12 AWG X #10 INS
6			
7	2	0001305	WASHER, #8 EXT STAR
8			
9	5	116920	SCREW, TEK #8 X 1/2" PH PHIL
10			
11	1	0023870	HARNES, 97 ALT. GROUND
12	1	0023704	ALT. MOUNTING BRACKET, LN V10
13	0.50	69050	WIRE, GXL 14 AWG BLACK K 0.50'
14	20.00	69065	WIRE, GXL 14 AWG RED R 20.00'
15	1	0023562	HARNES, 97 STD ALT TO RH BTY
16	1	0022255	BRKT, LN VOLT REG. & RELAY MNTG. W/BD
17			
18			

NEXT ASSY.: NONE

SUPERCEDES: 0017105

DO NOT SCALE DRAWING

MARK PART NUMBER AND REVISION ON ALL PARTS

THIS DRAWING IS THE PROPERTY OF EL Dorado NATIONAL COMPANY, A THOR INDUSTRIES COMPANY AND IS NOT TO BE DUPLICATED OR USED IN ANY WAY DETRIMENTAL TO THEIR BEST INTEREST.


REV.	BY	DATE	DESCRIPTION	REV. NUMBER
A	BJM	1/15/98	CHG ITEM #11 CHG SIZE OF ALT.	03007
-	BJM	4/28/97	RELEASE TO PRODUCTION	02401

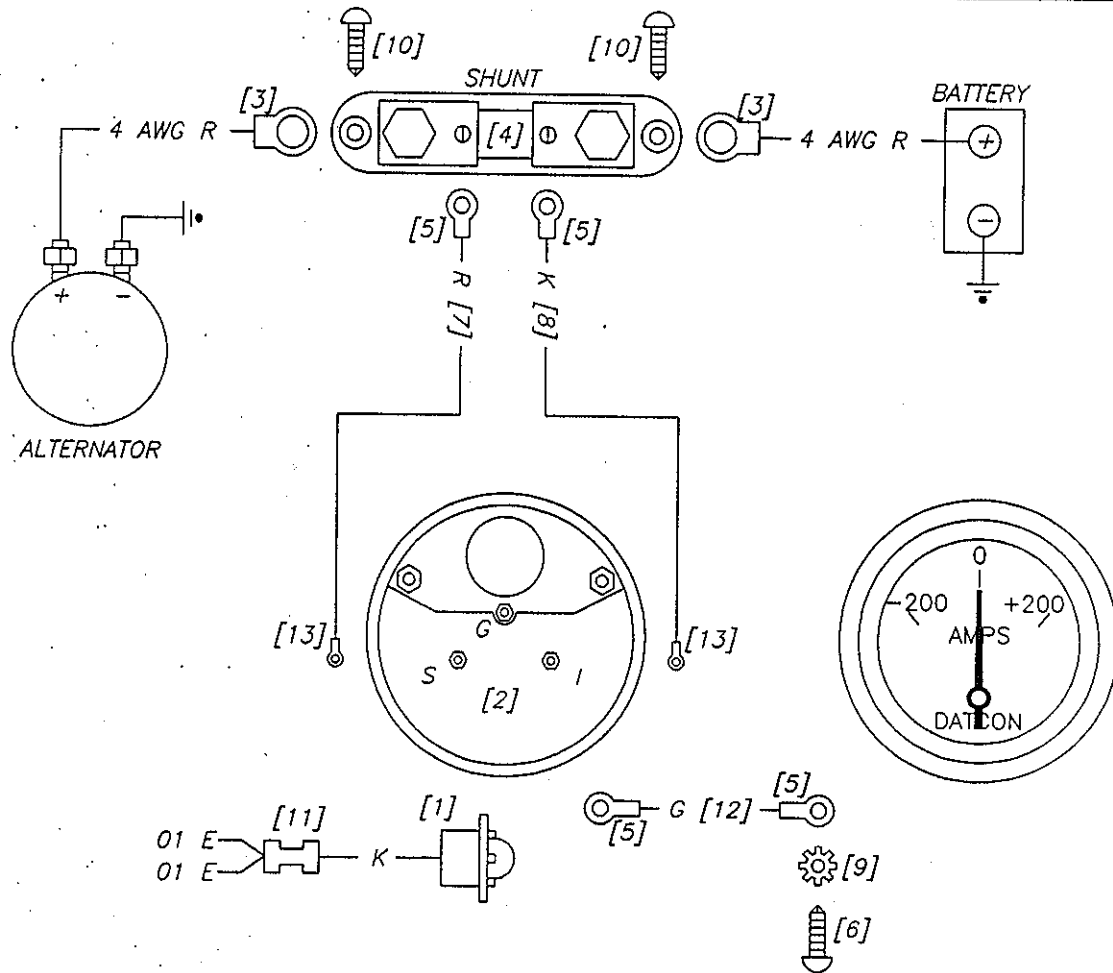
TOLERANCE UNLESS SPECIFIED		DRAWING INFORMATION	
FRACTIONS	± 1/16	DRAWN	MCQUILLAN
DECIMALS	.00 ± .06	DATE	4/28/97
ANGLES	± 1 DEG.	SIZE	B
		SCALE	1/1

		304 AVENUE B SO. INDUSTRIAL AREA SALINA, KS. 67401
EL DORADO NATIONAL CO. A THOR INDUSTRIES COMPANY		
TITLE: SCHEMATIC, 97 CAS AT/AL 165A LN ALT INT REC & EXT REG #4310		MAT'L SPEC. SEE B.O.M.
PART NUMBER 0023732		PAGE 1 of 1

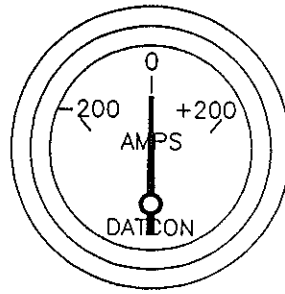
ITEM	QTY.	PART NO.	DESCRIPTION
31			
32			
33	1	60443	TERM, BATTERY 1/0 AWG NEGATIVE
34	4.00	69653	WIRE, SGX 1/0 AWG BLACK K 1 @ 48.00"
35	4.00	69855	FLEXLOOM, 5/8" SLIT 1 @ 48.00"
36	1	111240	BOLT, HEX 5/16-18 X 1" PLTD
37	2	119046	WASHER, 5/16" EXT STAR
38	1	113280	NUT, HEX 5/16-18 PLTD
39			
40			

NOTE:
1. NS - NOT SHOWN ON THIS DRAWING.


NEXT ASSY.: NONE		B	DWR	02/21/95	ADDED EXTERNAL RECTIFIER HARNES; GIG VOLT REG	01893	 304 AVENUE B SO. INDUSTRIAL AREA SALINA, KS. 67401 ELDORADO NATIONAL CO. A THOR INDUSTRIES COMPANY	
SUPERCEDES: NONE		A	DWR	01/24/95	CHG LEN BOM # 21 & 22	01087		
DO NOT SCALE DRAWING		-	DWR	01/11/95	RELEASE TO PRODUCTION	01054	TITLE: SCHEMATIC, ALT 165A PWR LN EXT REC WITH EXT RECT (DSL) #4335	
MARK PART NUMBER AND REVISION ON ALL PARTS		REV.	BY	DATE	DESCRIPTION	REV NUMBER	MAT'L SPEC. SEE B.O.M.	
THIS DRAWING IS THE PROPERTY OF ELDORADO NATIONAL COMPANY, A THOR INDUSTRIES COMPANY AND IS NOT TO BE DUPLICATED OR USED IN ANY WAY DETRIMENTAL TO THEIR BEST INTEREST.		TOLERANCE UNLESS SPECIFIED			DRAWING INFORMATION			
		FRACTIONS ± 1/16			DRAWN: F.R.E.C.D	CKD:	PART NUMBER	PAGE
		DECIMALS .00 ± .06			DATE: 07/10/95	SIZE: B	0021972	2 of 2
ANGLES ± 1 DEG.			SCALE: NTS	WT:				



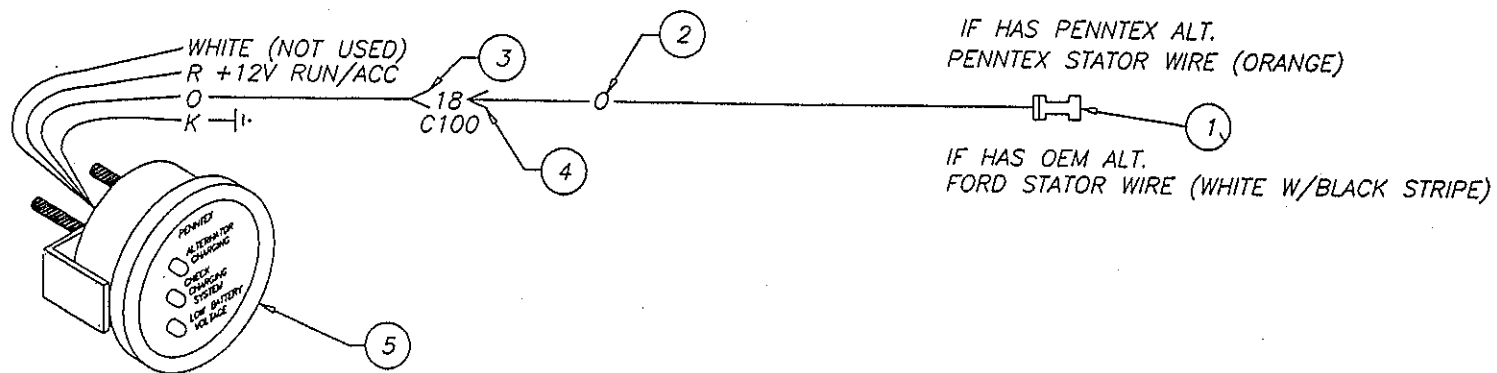
ITEM	QTY.	PART NO.	DESCRIPTION
1	1	68306	KIT, LIGHT
2	1	68383	METER, AMP 200-0-200 (DAT)
3	2	62201	CONN, RING 4 AWG X 3/8" INS
4	1	68384	SHUNT, 200A METER (DAT)
5	4	62320	CONN, RING 14-16 AWG X #10 INS
6	1	116920	SCREW, TEK #8 X 1/2" PH PHIL
7	10.75	69766	WIRE, GXL 16 AWG RED R 1 @ 129.00"
8	10.75	69751	WIRE, GXL 16 AWG BLACK K 1 @ 129.00"
9	1	0001305	WASHER, #8 EXT STAR
10	2	116960	SCREW, TEK #8 X 3/4 PH PHIL
11	1	61800	CONN, BUTT 14-16 AWG INS
12	3.00	69785	WIRE, GXL 16 AWG GREEN G 1 @ 36.00"
13	2	62322	CONN, RING 14-16 AWG X #6 INS
14			
15			



- NOTE
- [Y] WHERE Y REFERS TO THE B.O.M. ITEM NUMBER.
 - ALL ELECTRICAL CHASSIS GROUND CONNECTIONS WILL USE STAR WASHERS.
 - ALL EXTERIOR WIRING CONNECTIONS WILL BE COVERED WITH MASTIC LINED HEAT SHRINK TUBING.
 - THE SUM OF B.O.M. #S [7] & [8] MUST EQUAL 21 1/2 ft. OR 258 in.

NEXT ASSY.: NONE				 304 AVENUE B SO. INDUSTRIAL AREA SALINA, KS. 67401	
SUPERCEDES: 0020847					
DO NOT SCALE DRAWING		REV. BY	DATE	RELEASE TO PRODUCTION	01443
MARK PART NUMBER AND REVISION ON ALL PARTS		DESCRIPTION		DR NUMBER	
THIS DRAWING IS THE PROPERTY OF ELDORADO NATIONAL COMPANY, A THOR INDUSTRIES COMPANY AND IS NOT TO BE DUPLICATED OR USED IN ANY WAY DETRIMENTAL TO THEIR BEST INTEREST.		TOLERANCE UNLESS SPECIFIED		DRAWING INFORMATION	
		FRACTIONS ± 1/16		DRAWN: FREED	
		DECIMALS .00 ± .06		DATE: 10/25/95	
		ANGLES ± 1 DEG.		SCALE: 1=4	
				MATERIAL SPEC. SEE B.O.M.	
				PART NUMBER 0022443	
				PAGE 1 of 1	

ITEM	QTY.	PART NO.	DESCRIPTION
1	1	61810	CONN., 10-12/14-16 AWG INS BUTT
2	10.00	69025	WIRE, GXL 14 AWG ORANGE 0 10120.00"
3	1	69866	SOCKET, 14-18 AWG TIN PLTD
4	1	69865	PIN, 14-18 AWG TIN PLTD
5	1	121394	MONITOR, PENNTEX CHARGING
-	1	-	-
-	1	-	-
-	1	-	-



MOUNTING LOCATION:
CONSOLE (VOLTMETER LOCATION)

NEXT ASSY.: NONE		ELDERADO NATIONAL CO. A THOR INDUSTRIES COMPANY	
SUPERCEDES: NONE		TITLE: MONITOR ASM, PENNTEX CHARGING	
DO NOT SCALE DRAWING		REV. BY DATE	DESCRIPTION
MARK PART NUMBER AND REVISION ON ALL PARTS		REV. BY DATE	DESCRIPTION
THIS DRAWING IS THE PROPERTY OF ELDERADO NATIONAL COMPANY, A THOR INDUSTRIES COMPANY AND IS NOT TO BE DUPLICATED OR USED IN ANY WAY DETRIMENTAL TO THEIR BEST INTEREST.		TOLERANCE UNLESS SPECIFIED	
FRACTIONS ± 1/16		DRAWING INFORMATION	
DECIMALS .00 ± .06		DATE: 9/23/97	SIZE: B
ANGLES ± 1 DEG.		SCALE: FULL	WT.:
MATERIAL SPEC. SEE B.O.M.		PART NUMBER	
0024109		PAGE	
1 of 1			

ENC
304 AVENUE B
SOL INDUSTRIAL AREA
SALINA, KS. 67401