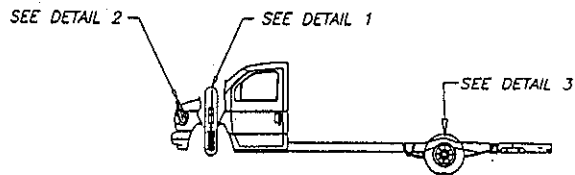
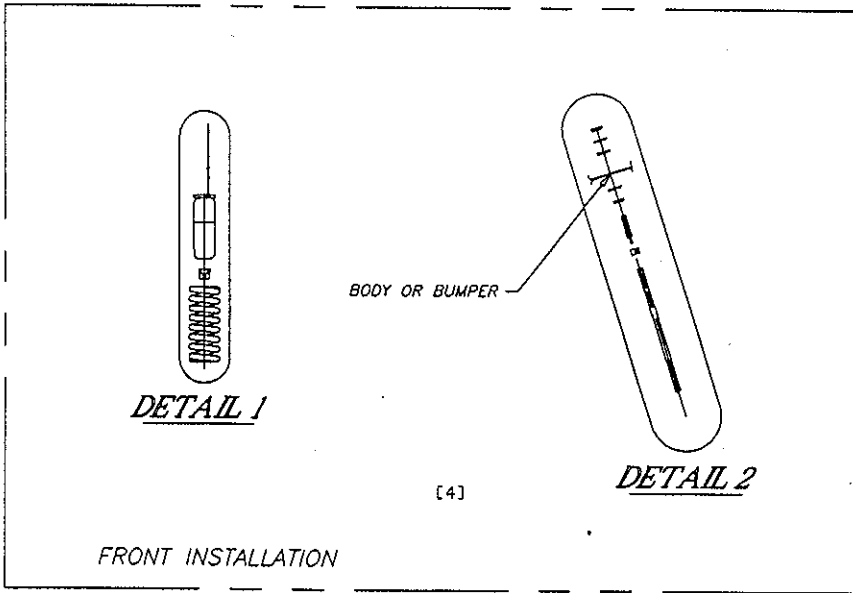
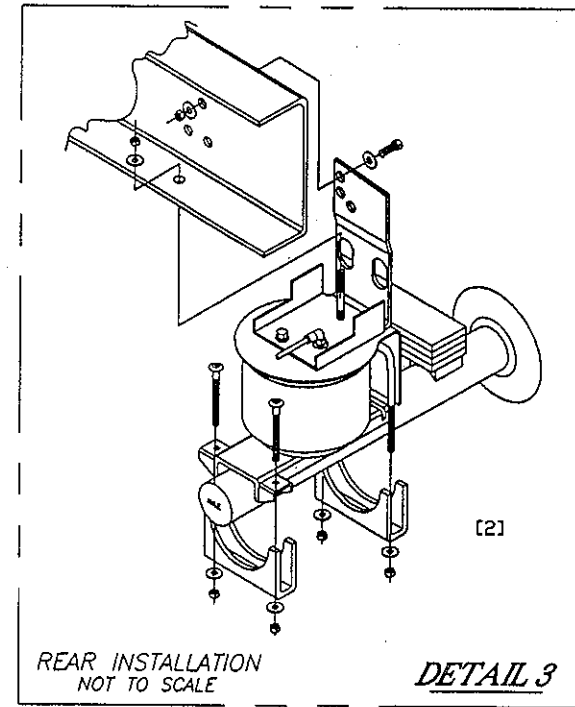


SECTION 8 - AIR RIDE AIR SYSTEM


0023774	AIR BAGS, FRONT & REAR DRIVER CONTROLLED (AIRLIFT)
0021299	ASM, FS AIR COMPRESSOR
0016025	SCHEMATIC, FAH FIRESTONE AIR BAGS
0024698	AIR SUPPLY SCHEMATIC, WARNING LIGHT & BUZZER W/ OPTIONAL GAUGE AT/AL
0020211	SCHEMATIC, 0 - 150 LBS AIR PRESSURE GAUGE

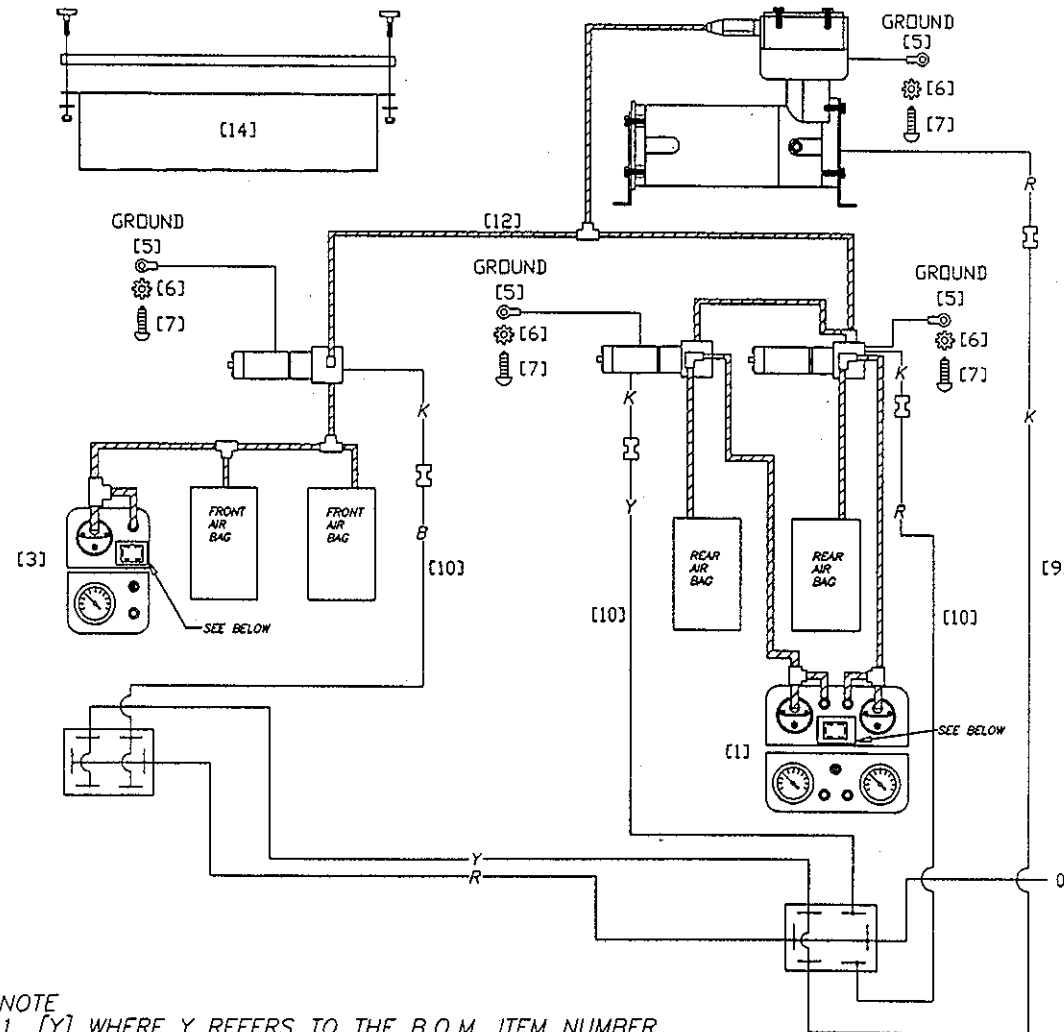


ITEM	QTY.	PART NO.	DESCRIPTION
1	1	120123	COMPRESSOR, (AIRLIFT)
2	1	120122	AIR BAGS, REAR
3	1	120124	CONTROL KIT, FRONT DRIVER
4	1	120105	AIR BAGS, FRONT



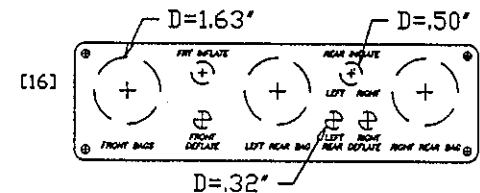
NOTE: 1. FOR INSTALLATION REFER TO AIR LIFT INSTRUCTIONS INCLUDED WITH EACH KIT IN B.O.M.

NEXT ASSY.: NONE		B	JHW	9/2/97	CHGD WIRE COLORS ADDED CONSOLE	02695	 304 AVENUE B SO. INDUSTRIAL AREA SALINA, KS. 67401 EL Dorado NATIONAL CO. A THOR INDUSTRIES COMPANY TITLE: AIR BAGS, FRONT & REAR DRIVER CONTROLLED (AIRLIFT)	
SUPERCEDES: NONE		A	JHW	8/26/97	ENLARGED SWITCH	02681		
DO NOT SCALE DRAWING		-	JHW	5/11/97	RELEASE TO PRODUCTION	02298		
MARK PART NUMBER AND REVISION ON ALL PARTS		REV.	BY	DATE	DESCRIPTION	ER NUMBER		
THIS DRAWING IS THE PROPERTY OF EL DORADO NATIONAL COMPANY, A THOR INDUSTRIES COMPANY AND IS NOT TO BE DUPLICATED OR USED IN ANY WAY DETRIMENTAL TO THEIR BEST INTEREST.		TOLERANCE UNLESS SPECIFIED			DRAWING INFORMATION		MAT'L SPEC. SEE B.O.M. PART NUMBER 0023774	
		FRACTIONS ± 1/16			DRAWN: VJA/FRD	CRD:		DATE: 3/15/97
		DECIMALS .00 ± .06			SCALE: B	WT:		SCALE: FULL
ANGLES ± 1 DEG.							PAGE	
							1 OF 2	

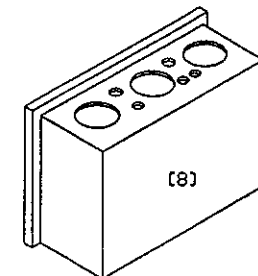
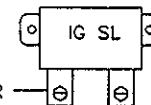


ITEM	QTY.	PART NO.	DESCRIPTION	
5	4	62320	CONN, RING 14-16 AWG X #10 INS	
6	4	0001305	WASHER, #8 EXT STAR	
7	4	116920	SCREW, TEK #8 X 1/2" PH PHIL	
8	1	0024201	AIR BAG CONSOLE, AIRLIFT DRIVER CONTROL	
9	25.00	69015	WIRE, 14 AWG GXL YELLOW Y 1 @ 300.00"	
10	25.00	69055	WIRE, 14 AWG GXL BLUE B 3 @ 300.00"	
N.S.	11	62041	CONN., FEM PUSHON 14-16 AWG ENC	
N.S.	12	20.00	TUBING, 1/4 OD AIR BRAKE LINE 1 @ 240.00"	
N.S.	13	69850	FLEXLOOM, 1/4 SLIT 1 @ 300.00"	
N.S.	14	1	0020712	COMPRESSOR BOX ASM, MICO BRAKE INTERLOCK
N.S.	15	6	62042	CONN, FEM PUSHON 10-12 AWG ENC
N.S.	16	1	0024081	PANEL, DRIVER CONTROLLED AIRBAG

ONLY DRILL HOLES NEEDED PER WORK ORDER FOR FRONT, REAR, OR BOTH.



MOUNT TO FRONT OF ENC CONSOLE

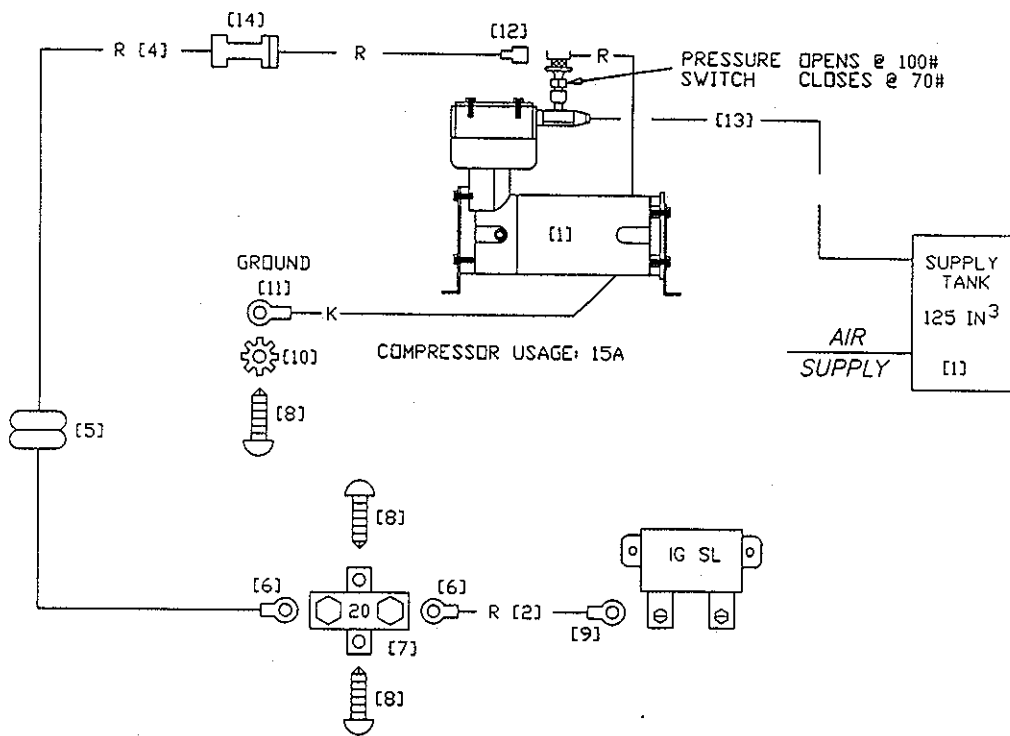


NOTE

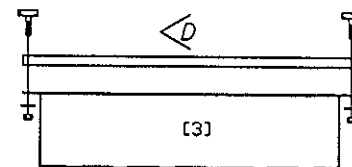
- [Y] WHERE Y REFERS TO THE B.O.M. ITEM NUMBER.
- ALL ELECTRICAL CHASSIS GROUND CONNECTIONS WILL USE STAR WASHERS.
- ALL EXTERIOR WIRING CONNECTIONS WILL BE COVERED WITH MASTIC LINED HEAT SHRINK TUBING.
- AIR COMPRESSOR & AIR TANK ARE MOUNTED IN COMPRESSOR BOX
- N.S.=NOT SHOWN

NEXT ASSY.: NONE		B	JWW	5/2/97	CHGD WIRE COLORS	02695	ELDORADO NATIONAL CO. A THOR INDUSTRIES COMPANY
SUPERCEDES: NONE		A	JWW	8/26/97	ADDED CONSOLE ENLARGED SWITCH	02681	
DO NOT SCALE DRAWING				RELEASE TO PRODUCTION		02298	TITLE:
MARK PART NUMBER AND REVISION ON ALL PARTS		REV.	BY	DATE	DESCRIPTION	ER NUMBER	AIR BAGS, FRONT & REAR DRIVER CONTROLLED (AIRLIFT)
THIS DRAWING IS THE PROPERTY OF ELDORADO NATIONAL COMPANY, A THOR INDUSTRIES COMPANY AND IS NOT TO BE DUPLICATED OR USED IN ANY WAY DETRIMENTAL TO THEIR BEST INTEREST.		TOLERANCE UNLESS SPECIFIED		DRAWING INFORMATION		MATERIAL SPEC. SEE B.O.M.	
		FRACTIONS ± 1/16		DRAWN BY: VAD		PART NUMBER	
		DECIMALS .00 ± .06		DATE: 5/14/97		0023774	
		ANGLES ± 1 DEG.		SCALE: FULL		PAGE 2 of 2	

ENC 304 AVENUE B
SO. INDUSTRIAL AREA
SALINA, KS 67401



ITEM	QTY.	PART NO.	DESCRIPTION
1	REF	120948	AIR COMPRESSOR KIT WITH TANK
2	1.00	69265	WIRE, GXL 10 AWG RED R 1 @ 12.00"
3	1	0020712	COMPRESSOR BOX ASM, MICO BRAKE INTERLOCK
4	25.00	69265	WIRE, GXL 10 AWG RED R 1 @ 300.00"
5	25.00	69850	FLEXLOOM, 1/4 SLIT 1 @ 300.00"
6	2	62160	CONN, RING 10-12 AWG X #10 INS
7	1	0000612	BREAKER, 20A AUTORESET CROSS MOUNT
8	3	116920	SCREW, TEK #8 X 1/2" PH PHIL
9	1	62161	CONN, RING 10-12 AWG X 1/4" INS
10	1	0001305	WASHER, #8 EXT STAR
11	1	62320	CONN, RING 14-16 AWG X #10 INS
12	1	62042	CONN, FEM PUSHON 10-12 AWG ENC
13	20.00	0000621	TUBING, 1/4 OD AIR BRAKE LINE 1 @ 240.00"
14	1	61810	TERM, BUTT 10-12/14-16 AWG INS
15			



NOTE

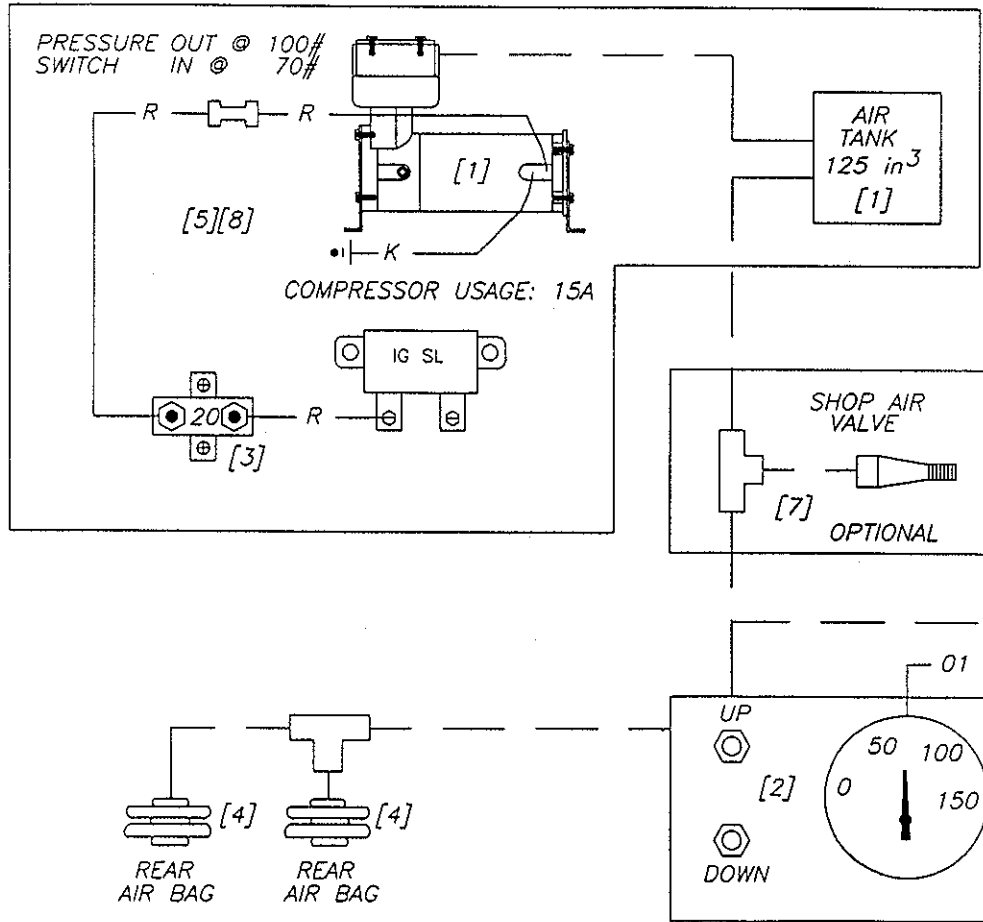
1. [Y] WHERE Y REFERS TO THE B.O.M. ITEM NUMBER.
2. ALL ELECTRICAL CHASSIS GROUND CONNECTIONS WILL USE STAR WASHERS.
3. ALL EXTERIOR WIRING CONNECTIONS WILL BE COVERED WITH MASTIC LINED HEAT SHRINK TUBING.
4. AIR COMPRESSOR & AIR TANK ARE MOUNTED IN COMPRESSOR BOX

REV.	BY	DATE	DESCRIPTION	ITER NUMBER
D	BJM	2/28/94	ADDED COMPRESSOR BOX ASM	02238
C	CEM	4/11/96	ADD ITEMS 21	01645
B	AJD	12/19/94	ADD ITEMS 3,18,19,20	01032
A	DWR	2/20/94	CHK B.O.M. 13 & 14 FROM LOOSE PIECE TO BILL	00655
-	DWR	10/24/94	RELEASE TO PRODUCTION	00564

NEXT ASSY.: NONE
 SUPERCEDES: NONE
 DO NOT SCALE DRAWING
 MARK PART NUMBER AND REVISION ON ALL PARTS

TOLERANCE UNLESS SPECIFIED		DRAWING INFORMATION	
FRACTIONS	± 1/16	DRAWN BY	SEE B.O.M.
DECIMALS	.00 ± .06	DATE	02/21/94
ANGLES	± 1 DEG.	SCALE	N.T.S.
		WT.	

ELDORADO NATIONAL CO. A THOR INDUSTRIES COMPANY
 TITLE: ASM, FS AIR COMPRESSOR
 # 2225
 PART NUMBER: 0021299
 PAGE: 1 of 1



ITEM	QTY.	PART NO.	DESCRIPTION
1	REF	120948	COMPRESSOR, KIT WITH AIR TANK
2	REF	120949	COMPRESSOR, CONTROL AIR KIT
3	REF	0000612	BREAKER, 20A AUTORESET CROSSMNT
4	REF	0017448	AIR BAG, FS REAR
5	REF	0020712	COMPRESSOR, BOX ASM, MICO BRAKE INTRLCK
6	REF	120105	AIR BAG, FS FRONT
7	REF	120947	VALVE, AIR BAG INFLATION
8	1	0021299	ASM, FS AIR COMPRESSOR
9			
10			

NS ← E

- NOTE:
- [Y] WHERE Y REFERS TO THE B.O.M. ITEM NUMBER.
 - ALL ELECTRICAL CHASSIS GROUND CONNECTIONS WILL USE STAR WASHERS.
 - AIR LINE
 - AIR COMPRESSOR & AIR TANK ARE MOUNTED IN B.O.M. #5.
 - NS - NOT SHOWN ON THIS DRAWING

NEXT ASSY.: NONE
 SUPERCEDES: NONE
DO NOT SCALE DRAWING
 MARK PART NUMBER AND REVISION ON ALL PARTS

THIS DRAWING IS THE PROPERTY OF ELDORADO NATIONAL COMPANY, A THOR INDUSTRIES COMPANY AND IS NOT TO BE DUPLICATED OR USED IN ANY WAY DETRIMENTAL TO THEIR BEST INTEREST.

REV.	BY	DATE	DESCRIPTION	DR NUMBER
E	BUM	2/28/97	ADDED COMP BOX ASM	02238
D	CDM	4/11/96	ADDED NOTE #4	01645
C	AJD	12/19/94	ADDED ITEMS 13, 14, 15 & 18	01032
B	DWR	7/14/93	VENDOR CHG COMPRESSOR	00274
A	DWR	5/12/93	ADD BOX # 5 - 8 & 10 - 12	00197
-	DWR	6/21/93	RELEASE TO PRODUCTION	

TOLERANCE UNLESS SPECIFIED	DRAWING INFORMATION
FRACTIONS ± 1/16	DRAWN: FRED
DECIMALS .00 ± .08	DATE: 6/21/93
ANGLES ± 1 DEG.	SIZE: B
	WT:

ENC

304 AVENUE B
 SO. INDUSTRIAL AREA
 SALINA, KS. 67401

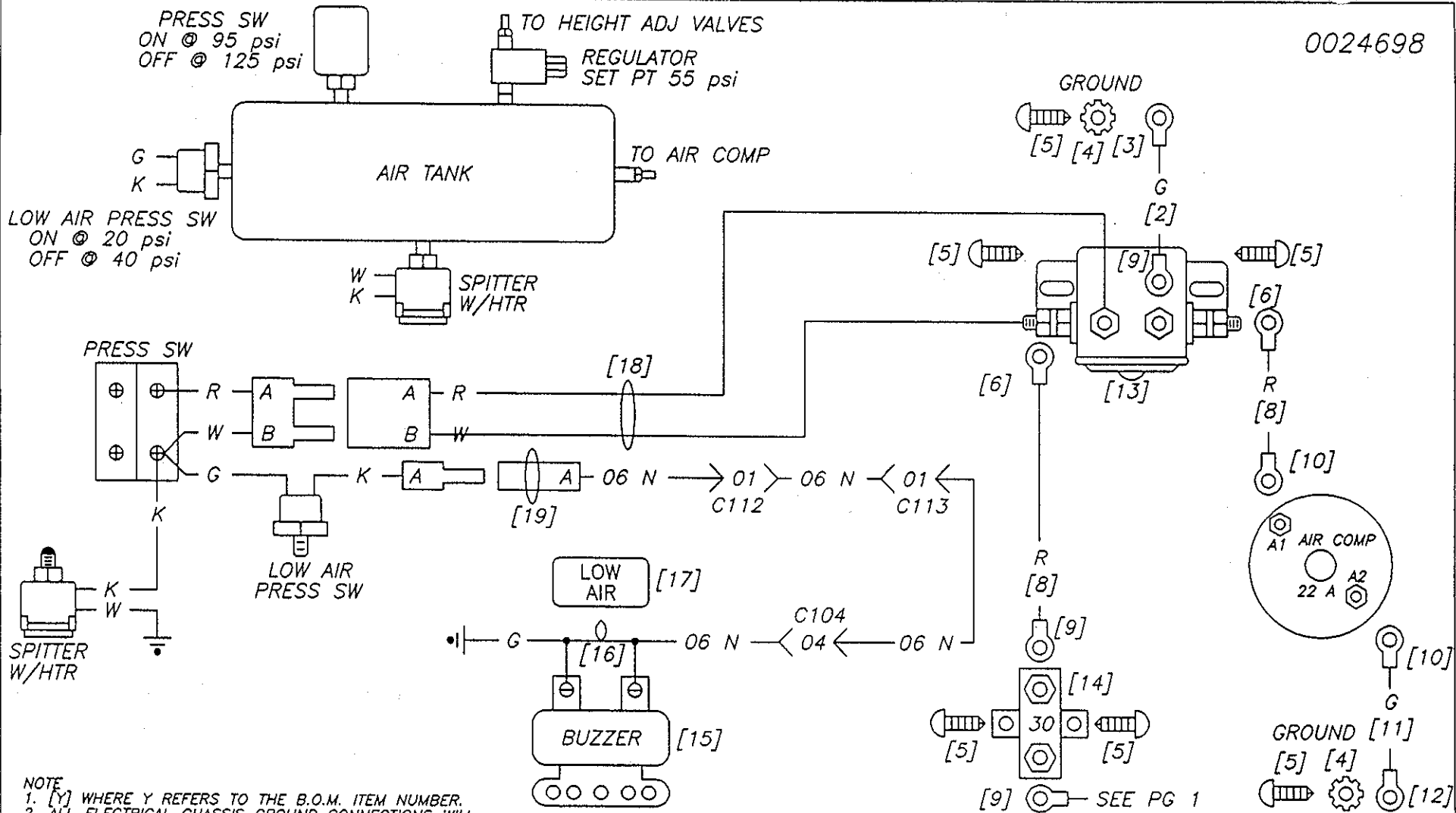
ELDORADO NATIONAL CO. A THOR INDUSTRIES COMPANY

TITLE:
 SCHEMATIC, FAH FIRESTONE
 AIR BAGS #2212


MAT'L SPEC.
 SEE B.O.M.

PART NUMBER
0016025

PAGE
 1 of 1

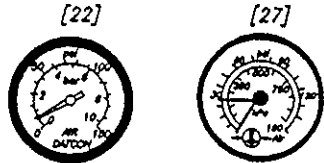
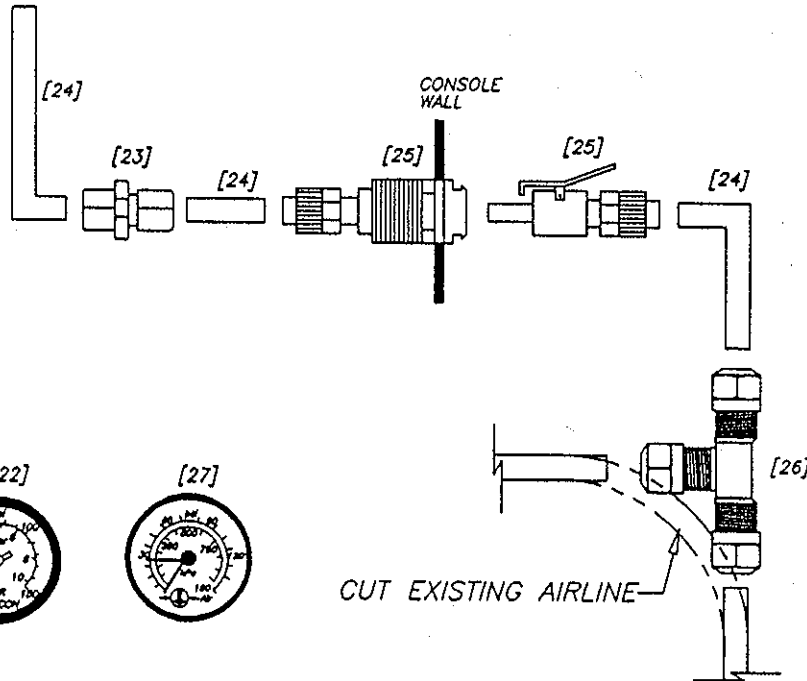
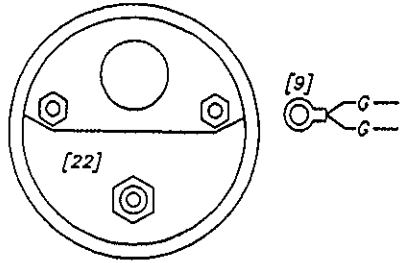
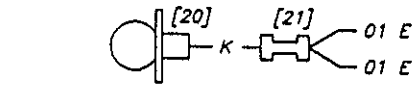


- NOTE
1. [Y] WHERE Y REFERS TO THE B.O.M. ITEM NUMBER.
 2. ALL ELECTRICAL CHASSIS GROUND CONNECTIONS WILL USE STAR WASHERS.
 3. ALL EXTERIOR WIRING CONNECTIONS WILL BE COVERED WITH MASTIC LINED HEAT SHRINK TUBING.

NEXT ASSY.: NONE				 <p>304 AVENUE B SO. INDUSTRIAL AREA SALINA, KS. 67401</p>							
SUPERCEDES: NONE											
DO NOT SCALE DRAWING				-	JWW 5/26/98	RELEASE TO PRODUCTION	03438	ELDERADO NATIONAL CO. A THOR INDUSTRIES COMPANY TITLE: AIR SUPPLY SCHEMATIC, WARNING LIGHT AND BUZZER W/ OPTIONAL GAUGE AT/AL			
MARK PART NUMBER AND REVISION ON ALL PARTS				REV.	BY	DATE	DESCRIPTION	ER NUMBER	MAT'L SPEC. SEE B.O.M.		
THIS DRAWING IS THE PROPERTY OF ELDERADO NATIONAL COMPANY, A THOR INDUSTRIES COMPANY AND IS NOT TO BE DUPLICATED OR USED IN ANY WAY DETRIMENTAL TO THEIR BEST INTEREST.				TOLERANCE UNLESS SPECIFIED			DRAWING INFORMATION				
				FRACTIONS ± 1/16			DRAWN: WARD	CKD.:	PART NUMBER		PAGE
				DECIMALS .00 ± .06			DATE: 5/26/98	SIZE: A	0024698		1 of 2
ANGLES ± 1 DEG.			SCALE: 1=1	WT.:							

OPTIONAL GUAGE

0024698



ITEM	QTY.	PART NO.	DESCRIPTION
NS 1	1	62041	CONN, FEM PUSHON 14-16 AWG ENC
2	1.00	69085	WIRE, GXL 14 AWG GREEN G 1 @ 12.00"
3	1	0001138	TERM, RING 14-16 AWG X #8 INS
4	2	0001305	WASHER, #8 EXT STAR
5	6	116920	SCREW, TEK #8 X 1/2 PH PHIL
6	2	62282	TERM, RING 10-12 AWG X 5/16 INS
NS 7	1	0023880	COMPRESSOR BOX, DEEP WELL
8	2.00	69265	WIRE, GXL 10 AWG RED R 2 @ 12.00"
9	3	62160	TERM, RING 10-12 AWG X #10 INS
10	2	62161	TERM, RING 10-12 AWG X 1/4 INS
11	1.00	69285	WIRE, GXL 10 AWG GREEN G 1 @ 12.00"
12	1	62281	TERM, RING 10-12 AWG X #8 INS
13	1	0000835	SOLENOID, SPNO 12 VDC
14	1	60920	BREAKER, 30A AUTORESET CROSSMNT
15	1	61440	BUZZER, DOOR AJAR
16	1	65316	LIGHT, RED INDICATOR
17	1	70155	CHIP, 1/P 'LOW AIR' ENG
18	1	0023897	HARNESS, GMT TAG AXLE PRESS SW
19	1	0023898	HARNESS, GMT TAG AXLE ALARM
20	1	68306	LIGHT, KIT
21	1	61680	CONN., BUTT 10-12 AWG INS.
22	1	68331	METER, AIR PRESSURE 0-150# & 1-10 BAR
23	1	01050127	FITTING, BRASS 1/8 FPT X 1/4 TBG
24	30	0000621	TUBING, 1/4 OD AIR BRAKE LINE
25	1	121023	COUPLER, DOUBLE END SHUTOFF
26	1	121009	TEE, 1/4 AIR FITTING
27	REF	68330	METER, AIR PRESSURE 0-150#

NOTE
1. NS - NOT SHOWN ON THIS DRAWING

NEXT ASSY.: NONE
SUPERCEDES: NONE
DO NOT SCALE DRAWING
MARK PART NUMBER AND REVISION ON ALL PARTS

REV.	BY	DATE	DESCRIPTION	ER NUMBER
-	JWW	5/26/98	RELEASE TO PRODUCTION	03438

THIS DRAWING IS THE PROPERTY OF ELDERADO NATIONAL COMPANY, A THOR INDUSTRIES COMPANY AND IS NOT TO BE DUPLICATED OR USED IN ANY WAY DETRIMENTAL TO THEIR BEST INTEREST.

TOLERANCE UNLESS SPECIFIED		DRAWING INFORMATION	
FRACTIONS	± 1/16	DRAWN: WARD	CKD.:
DECIMALS	.00 ± .06	DATE: 5/26/98	SIZE: A
ANGLES	± 1 DEG.	SCALE: 1=1	WT.:

ENC
304 AVENUE B
SO. INDUSTRIAL AREA
SALINA, KS. 67401

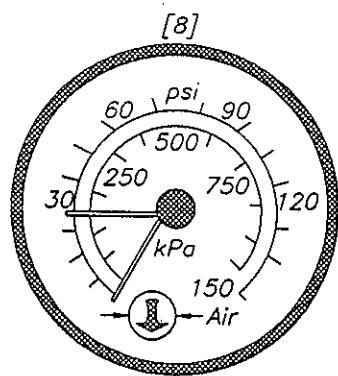
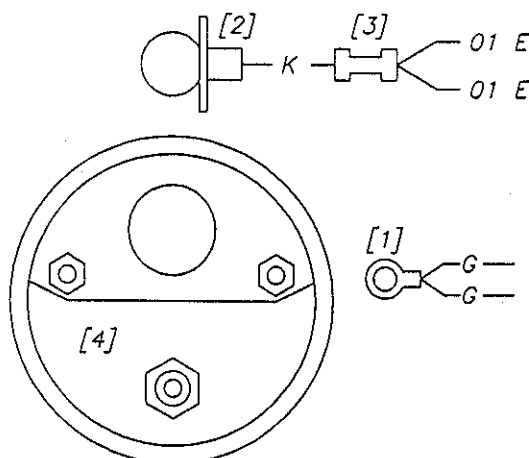
ELDERADO NATIONAL CO. A THOR INDUSTRIES COMPANY

TITLE:
AIR SUPPLY SCHEMATIC, WARNING LIGHT AND BUZZER W/ OPTIONAL GUAGE AT/AL

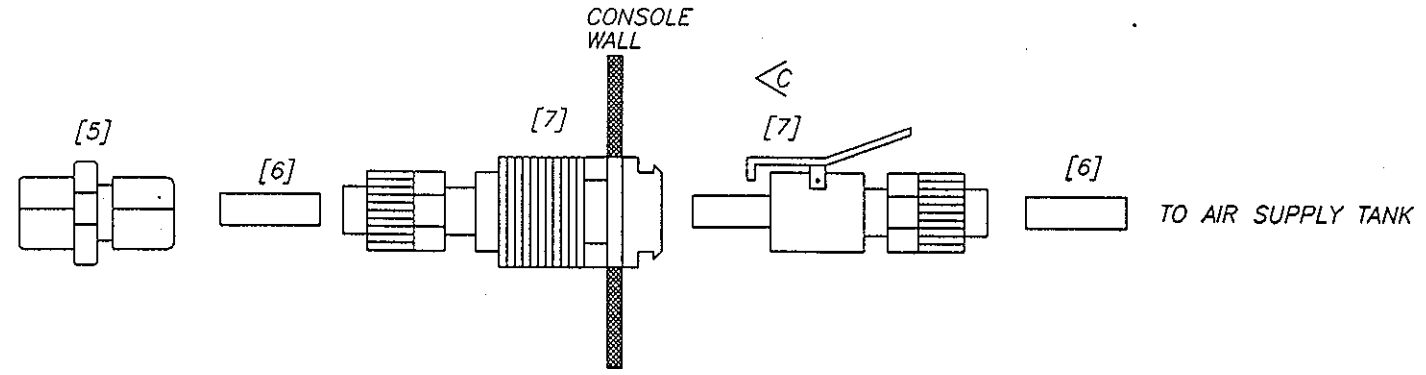
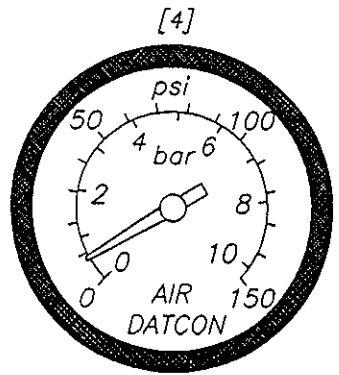
MAT'L SPEC.
SEE B.O.M.

PART NUMBER
0024698

PAGE
2 of 2



ITEM	QTY.	PART NO.	DESCRIPTION
1	1	62160	CONN, RING 10-12 AWG X #10 INS
2	1	68306	LIGHT, KIT
3	1	61680	CONN, BUTT 10-12 AWG INS.
4	1	68331	METER, AIR PRESSURE 0-150# & 1-10 BAR
5	1	01050127	FITTING, BRASS 1/8 FPT X 1/4 TBG
6	30	0000621	TUBING, 1/4 OD AIR BRAKE LINE
7	1	121023	COUPLER, DOUBLE END SHUTOFF
8	REF	68330	METER, AIR PRESSURE 0 - 150 #
9	--	--	--
10	--	--	--



NOTE:
 1. [Y] WHERE Y REFERS TO THE B.O.M. ITEM NUMBER.
 2. ALL ELECTRICAL GROUND CONNECTIONS WILL USE STAR WASHERS.

NEXT ASSY.: NONE		SUPERCEDES: NONE		DO NOT SCALE DRAWING		MARK PART NUMBER AND REVISION ON ALL PARTS		THIS DRAWING IS THE PROPERTY OF ELDERADO NATIONAL COMPANY, A THOR INDUSTRIES COMPANY AND IS NOT TO BE DUPLICATED OR USED IN ANY WAY DETRIMENTAL TO THEIR BEST INTEREST.	
REV.	BY	DATE	DESCRIPTION	ER NUMBER					
C	JWW	3/13/97	CHOD SHUTOFF VALVE	02287					
B	DWR	03/21/94	CHG B.O.M. # 4	00605					
A	DWR	01/28/93	CHG B.O.M. # 5	00189					
-	DWR	01/23/93	RELEASE TO PRODUCTION	00167					
TOLERANCE UNLESS SPECIFIED				 THIRD ANGLE					
FRACTIONS ± 1/16		DECIMALS .00 ± .06		ANGLES ± 1 DEG.		 ELDERADO NATIONAL CO., A THOR INDUSTRIES COMPANY			
DRAWN BY EEC		CHKD BY		DATE: 01/19/93		SCALE: 1:1		PART NUMBER: 0020211	
DATE: 01/19/93		SCALE: 1:1		WT:					