


SECTION 15 - A/C CIRCUITS - TRANS/AIR

0024131	SCHEMATIC, AT/AL TA 700 A/C TIE-IN
0024094	SCHEMATIC, AT/AL TA A/C TIE-IN
0024095	SCHEMATIC, AT/AL TA A/C SUPER
0024147	SCHEMATIC, '98 TA 774 SUPER A/C
0024148	SCHEMATIC, '98 TA 776 SUPER A/C

ITEM	QTY.	PART NO.	DESCRIPTION
1	10	68467	TERM, AMP 14-16 AWG RELAY CONN
2	6	68468	TERM, AMP 10-12 AWG RELAY CONN
3			
4	4	61680	CONN, BUTT 10-12 AWG INS
5	7	62320	CONN, RING 14-16 AWG X #10 INS
6	9	62160	CONN, RING 10-12 AWG X #10 INS
7			
8	1	68450	BLOCK, TERMINAL 12-POS 1-ROW #10
9	6	112927	NUT, #10-32 KEP PLTD HEX
10	2	116960	SCREW, TEK #8 X 3/4" PH PHIL
11	2	0001305	WASHER, #8 EXT STAR
12			
13	4	116920	SCREW, TEK #8 X 1/2" PH PHIL
14	2	60800	DIODE, 6A RECTIFIER
15	4	69860	CONN, AMP RELAY SOCKET
16	4	68323	RELAY, 12 VDC SPDT WITH MOUNT
17			
18	1	63069	FUSE, BLADE 15A
19	1	60920	BREAKER, 30A AUTORESET CROSSMOUNT CKT
20			
21			
22			
23	35.00	69773	WIRE, 7-COND EM-3 EVAP. 35.00'
24			
25	1	124860	SWITCH, ROTARY 3-SPEED
26			
27	1	120427	SWITCH, THERMOSTAT
28	1	120428	KNOB, SWITCH THERMOSTAT
29	1	120425	SWITCH, CONNECTOR WITH HARNESS

A
 A
 A
 A

NEXT ASSY: NONE						 304 AVENUE B SO. INDUSTRIAL AREA SALINA, KS. 67401	
SUPERCEDES: 0021955		A		B/M 5/1/98		ELDERADO NATIONAL CO: A THOR INDUSTRIES COMPANY TITLE:	
DO NOT SCALE DRAWING		-		B/M 10/1/97		03372 02728 SCHEMATIC, AT/AL TA 700 A/C TIE-IN	
MARK PART NUMBER AND REVISION ON ALL PARTS		REV.	BY	DATE	DESCRIPTION	QR NUMBER	MAT'L SPEC.
THIS DRAWING IS THE PROPERTY OF ELDERADO NATIONAL COMPANY, A THOR INDUSTRIES COMPANY AND IS NOT TO BE DUPLICATED OR USED IN ANY WAY DETRIMENTAL TO THEIR BEST INTEREST.		TOLERANCE UNLESS SPECIFIED		DRAWING INFORMATION			
		FRACTIONS ± 1/16		DRAWN: COULLAN		CRD:	
		DECIMALS .00 ± .08		DATE: 10/1/97		SIZE: B	
		ANGLES ± 1 DEG.		SCALE: NTS		PART NUMBER	
						0024131	
						PAGE 2 of 3	

ITEM	QTY.	PART NO.	DESCRIPTION
30	4	129214	TERM, FEM PUSHON 14-16 AWG
31	4.00	69085	WIRE, GXL 14 AWG GREEN G 4 @ 12.00"
32	0.50	69065	WIRE, GXL 14 AWG RED R 1 @ 6.00"
33	1.00	69095	WIRE, GXL 14 AWG BROWN 20N 1 @ 12.00"
34			
35			
36	1.50	69250	WIRE, GXL 10 AWG BLACK K 3 @ 6.00"
37	1.00	69225	WIRE, GXL 10 AWG ORANGE O 1 @ 12.00"
38	1.00	69215	WIRE, GXL 10 AWG YELLOW Y 1 @ 12.00"
39	1	62282	CONN, RING 10-12 AWG X 5/16" INS
40	1	119046	WASHER, 5/16" EXT STAR
41	1	120426	KNOB, ROTARY 3-SPEED SWITCH
42	1.00	69065	WIRE, GXL 14 AWG RED R 1 @ 12.00"
43			
44			
45			


NEXT ASSY.: NONE

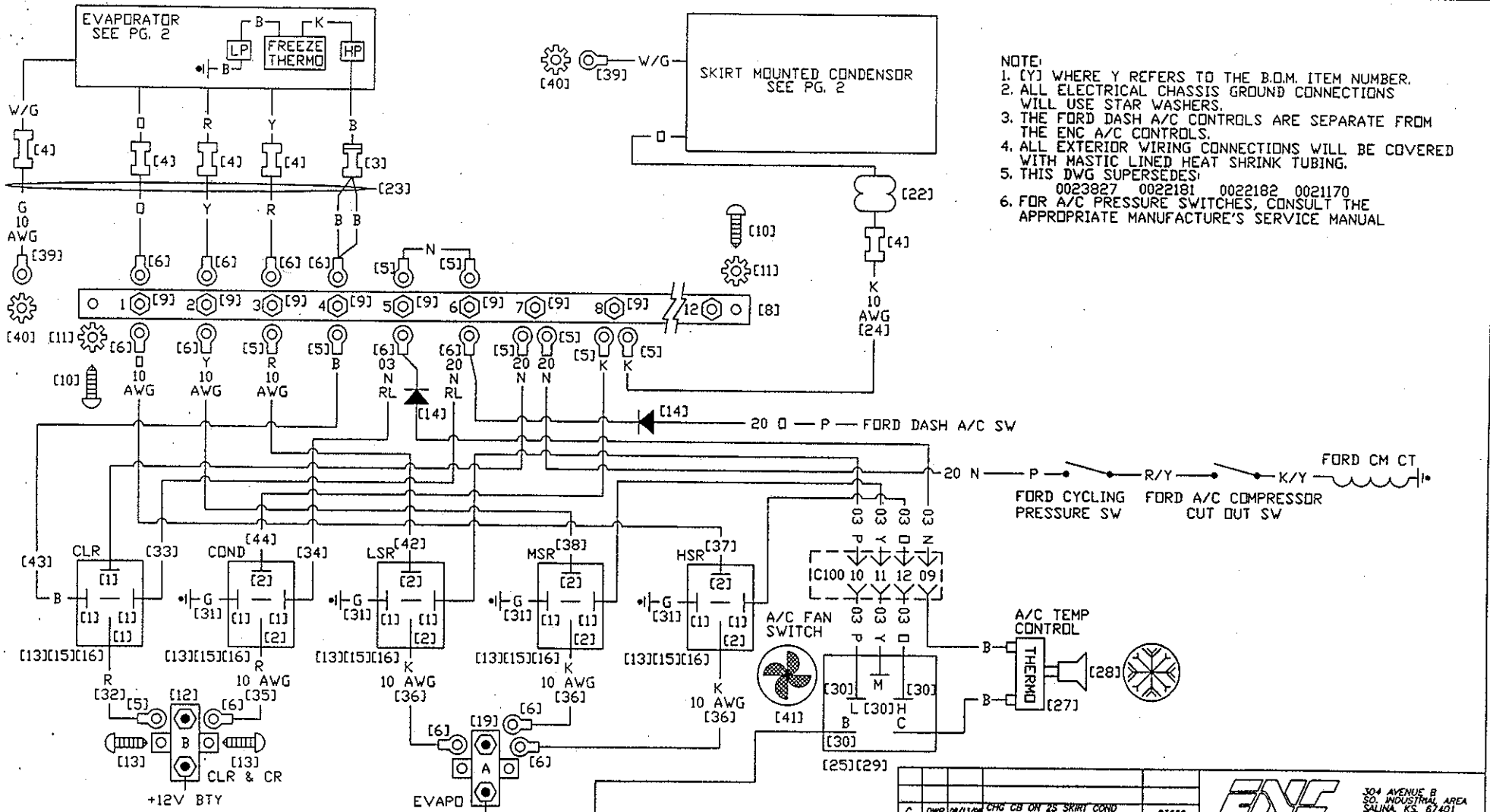
SUPERCEDES: 0021955

DO NOT SCALE DRAWING

MARK PART NUMBER AND REVISION ON ALL PARTS

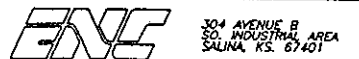
THIS DRAWING IS THE PROPERTY OF ELDORADO NATIONAL COMPANY, A THOR INDUSTRIES COMPANY AND IS NOT TO BE DUPLICATED OR USED IN ANY WAY DETRIMENTAL TO THEIR BEST INTEREST.

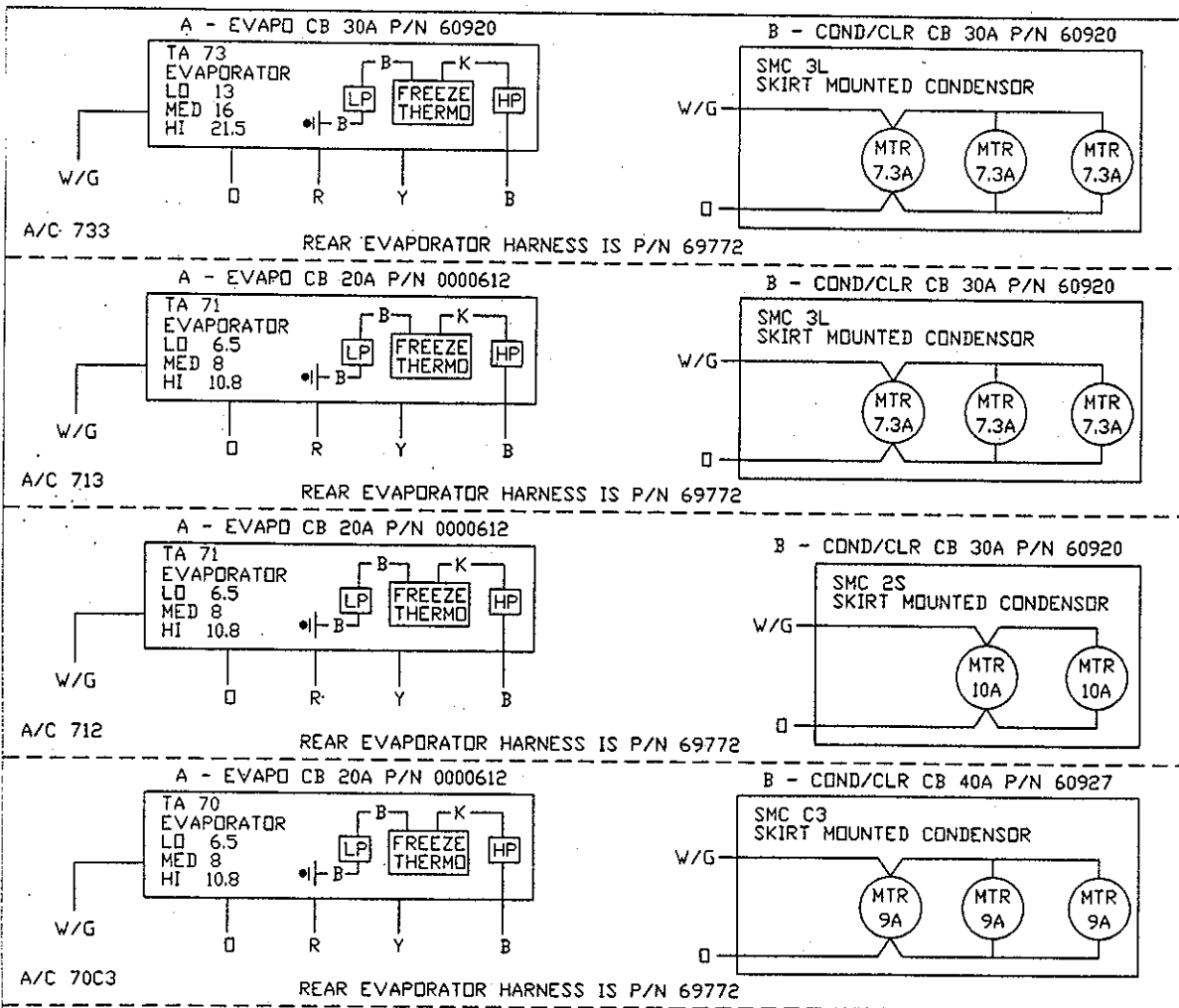
								304 AVENUE B SQ. INDUSTRIAL AREA SALINA, KS. 67401	
						ELDORADO NATIONAL CO.-A THOR INDUSTRIES COMPANY			
		A BJM 5/1/88		ADDED 1-231, DEL. 1-243-88055 1-25, 1-26, 1-27-81810, 1-28		03372		TITLE:	
		- BJM 10/1/87		RELEASE TO PRODUCTION		02728		SCHEMATIC, AT/AL TA 700 A/C TIE-IN	
REV.	BY	DATE	DESCRIPTION		ER NUMBER		MTRL SPEC.		
								SEE B.O.M.	
				TOLERANCE UNLESS SPECIFIED		DRAWING INFORMATION		PART NUMBER	
				FRACTIONS ± 1/16		DRAWN: COULLAN, CKD.		0024131	
				DECIMALS .00 ± .06		DATE: 10/1/87		PAGE	
				ANGLES ± 1 DEG.		SCALE: NTS		3 of 3	



- NOTE:
- [Y] WHERE Y REFERS TO THE B.O.M. ITEM NUMBER.
 - ALL ELECTRICAL CHASSIS GROUND CONNECTIONS WILL USE STAR WASHERS.
 - THE FORD DASH A/C CONTROLS ARE SEPARATE FROM THE ENC A/C CONTROLS.
 - ALL EXTERIOR WIRING CONNECTIONS WILL BE COVERED WITH MASTIC LINED HEAT SHRINK TUBING.
 - THIS DWG SUPERSEDES:
 - 0023827
 - 0022181
 - 0022182
 - 0021170
 - FOR A/C PRESSURE SWITCHES, CONSULT THE APPROPRIATE MANUFACTURE'S SERVICE MANUAL

NEXT ASSY.: NONE		C DWR 08/13/98 CHG CB ON 25 SKIRT COND TO 38		03686	
SUPERCEDES: SEE NOTES		B BJM 1/22/98 ADDED SWC 25		03130	
DO NOT SCALE DRAWING		A BJM 10/7/97 ADDED 712 TIE-IN		02833	
MARK PART NUMBER AND REVISION ON ALL PARTS		- BJM 9/16/97 RELEASE TO PRODUCTION		02726	
REV.	BY	DATE	DESCRIPTION	ER NUMBER	
THIS DRAWING IS THE PROPERTY OF ELDERADO NATIONAL COMPANY, A THOR INDUSTRIES COMPANY AND IS NOT TO BE DUPLICATED OR USED IN ANY WAY DETRIMENTAL TO THEIR BEST INTEREST.			TOLERANCE UNLESS SPECIFIED		DRAWING INFORMATION
FRACTIONS ± 1/16			DRAWN: MCCOULLAN		CRD:
DECIMALS .00 ± .06			DATE: 9/16/97		SIZE: B
ANGLES ± 1 DEG.			SCALE: 1=1		WT:
MATERIAL SPEC. SEE B.O.M.				PART NUMBER	
				0024094	
					PAGE
					1 OF 3



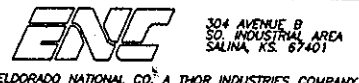


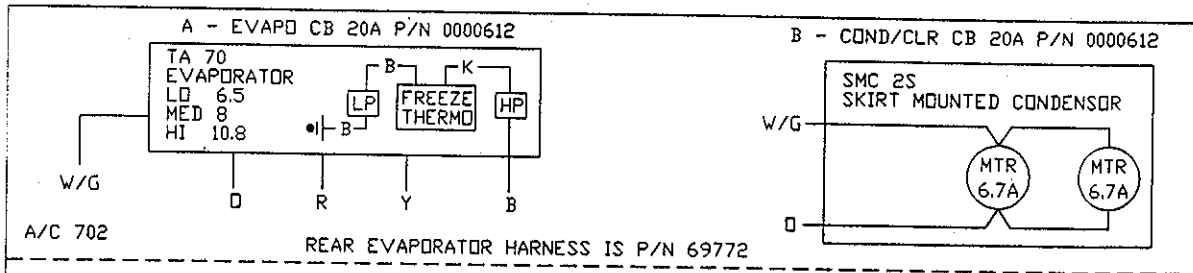
ITEM	QTY.	PART NO.	DESCRIPTION
1	12	68467	TERM, AMP 14-16 AWG RELAY CONN
2	8	68468	TERM, AMP 10-12 AWG RELAY CONN
3	1	61810	CONN, BUTT 10-12/14-16 AWG INS
4	5	61680	CONN, BUTT 10-12 AWG INS
5	9	62320	CONN, RING 14-16 AWG X #10 INS
6	12	62160	CONN, RING 10-12 AWG X #10 INS
7			
8	1	68450	BLOCK, TERMINAL 12-POS 1-ROW #10
9	8	112927	NUT, #10-32 KEP PLTD HEX
10	2	116960	SCREW, TEK #8 X 3/4" PH PHIL
11	2	0001305	WASHER, #8 EXT STAR
12	1	60920	BREAKER, 30A AUTORESET CROSSMOUNT CKT
13	7	116920	SCREW, TEK #8 X 1/2" PH PHIL
14	2	60800	DIODE, 6A RECTIFIER
15	5	69860	CONN, AMP RELAY SOCKET
16	5	68323	RELAY, 12 VDC SPDT WITH MOUNT
17			
18	1	63069	FUSE, BLADE 15A
19	1	0000612	BREAKER, 20A AUTORESET CROSSMOUNT CKT
20			
21			
22	25.00	69850	FLEXLOOM, 1/4 SLIT 1 @ 300.00"
23	35.00	69773	WIRE, 7-COND EM-3 EVAP. 35.00'
24	25.00	69250	WIRE, GXL 10 AWG BLACK K 1 @ 300.00"
25	1	124860	SWITCH, ROTARY 3-SPEED
26			
27	1	120427	SWITCH, THERMOSTAT
28	1	120428	KNOB, SWITCH THERMOSTAT
29	1	120425	SWITCH, CONNECTOR WITH HARNESS

NEXT ASSY.: NONE
 SUPERCEDES: SEE NOTES
 DO NOT SCALE DRAWING
 MARK PART NUMBER AND REVISION ON ALL PARTS


REV. BY	DATE	DESCRIPTION	REV. NO.
C	DWR 08/13/94	CHG CB ON 25' SKIRT COND TO 30A	03666
B	BUM 1/22/96	ADDED SMC 2S	03130
A	BUM 10/7/97	ADDED 712 TIE-IN	02833
-	BUM 9/16/97	RELEASE TO PRODUCTION	02726

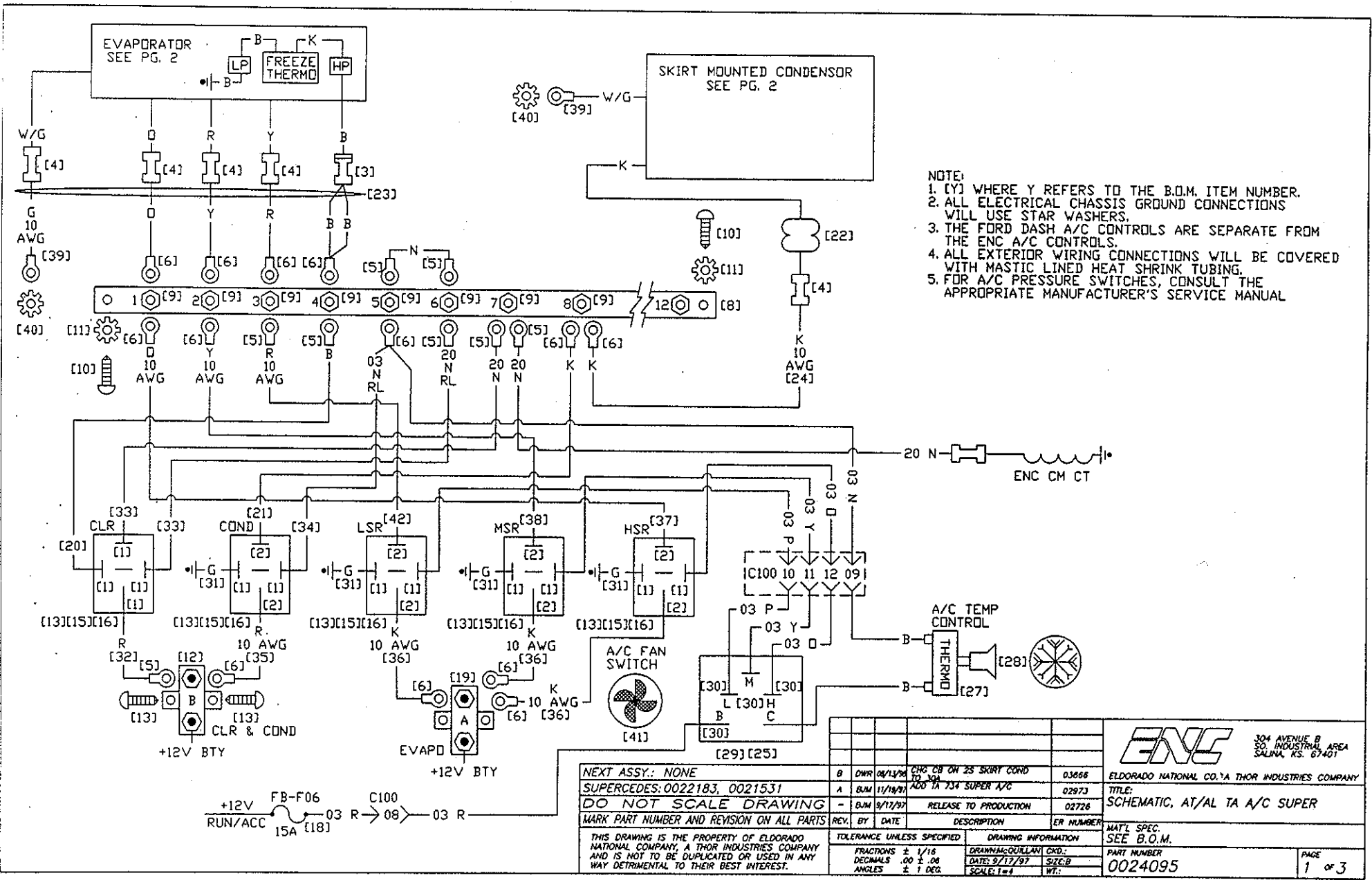
THIS DRAWING IS THE PROPERTY OF ELDORADO NATIONAL COMPANY, A THOR INDUSTRIES COMPANY AND IS NOT TO BE DUPLICATED OR USED IN ANY WAY DETRIMENTAL TO THEIR BEST INTEREST.
 TOLERANCE UNLESS SPECIFIED: FRACTIONS ± 1/16, DECIMALS .00 ± .06, ANGLES ± 1 DEG.
 DRAWING INFORMATION: DRAWN/MC/CULLAN/CXD, DATE: 9/16/97, SIZE: B, SCALE: 1=1, WT.
 MAT'L SPEC. SEE B.O.M.
 PART NUMBER: 0024094
 PAGE 2 of 3





ITEM	QTY.	PART NO.	DESCRIPTION
30	4	129214	TERM, FEM PUSHON 14-16 AWG
31	4.00	69085	WIRE, GXL 14 AWG GREEN G 4 @ 12.00"
32	0.50	69065	WIRE, GXL 14 AWG RED R 1 @ 6.00"
33	1.00	69095	WIRE, GXL 14 AWG BROWN 20N 1 @ 12.00"
34	1.00	69095	WIRE, GXL 14 AWG BROWN 03N 1 @ 12.00"
35	0.50	69265	WIRE, GXL 10 AWG RED R 1 @ 6.00"
36	1.50	69250	WIRE, GXL 10 AWG BLACK K 3 @ 6.00"
37	1.00	69225	WIRE, GXL 10 AWG ORANGE O 1 @ 12.00"
38	1.00	69215	WIRE, GXL 10 AWG YELLOW Y 1 @ 12.00"
39	2	62282	CONN, RING 10-12 AWG X 5/16" INS
40	2	119046	WASHER, 5/16" EXT STAR
41	1	120426	KNOB, ROTARY 3-SPEED SWITCH
42	1.00	69065	WIRE, GXL 14 AWG RED R 1 @ 12.00"
43	1.00	69055	WIRE, GXL 14 AWG BLUE B 1 @ 12.00"
44	1.00	69250	WIRE, GXL 10 AWG BLACK K 1 @ 12.00"
45			

C		DWR	08/13/96	CHG CB ON 2S SKIRT COND TO 30A	03666	 304 AVENUE B 50 INDUSTRIAL AREA SALINA, KS. 67401 ELDORADO NATIONAL CO. A THOR INDUSTRIES COMPANY
B		BUN	1/22/98	ADDED SMC 2S	03130	
A		BUN	10/7/97	ADDED 712 TIE-IN	02833	
-		BUN	9/16/97	RELEASE TO PRODUCTION	02728	TITLE: SCHEMATIC, AT/AL TA A/C TIE-IN
REV.		BY	DATE	DESCRIPTION	ER NUMBER	MAT'L SPEC. SEE B.O.M.
THIS DRAWING IS THE PROPERTY OF ELDORADO NATIONAL COMPANY, A THOR INDUSTRIES COMPANY AND IS NOT TO BE DUPLICATED OR USED IN ANY WAY DETRIMENTAL TO THEIR BEST INTEREST.				TOLERANCE UNLESS SPECIFIED FRACTIONS ± 1/16 DECIMALS .00 ± .08 ANGLES ± 1 DEG.		DRAWING INFORMATION DRAWN: JAC/CULLAN DATE: 9/16/97 SCALE: 1=1 CKD: SIZE: B WT:
					PART NUMBER	PAGE
					0024094	3 of 3



- NOTE:
1. (Y) WHERE Y REFERS TO THE B.O.M. ITEM NUMBER.
 2. ALL ELECTRICAL CHASSIS GROUND CONNECTIONS WILL USE STAR WASHERS.
 3. THE FORD DASH A/C CONTROLS ARE SEPARATE FROM THE ENC A/C CONTROLS.
 4. ALL EXTERIOR WIRING CONNECTIONS WILL BE COVERED WITH MASTIC LINED HEAT SHRINK TUBING.
 5. FOR A/C PRESSURE SWITCHES, CONSULT THE APPROPRIATE MANUFACTURER'S SERVICE MANUAL

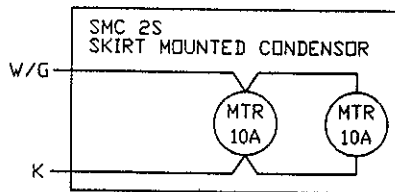
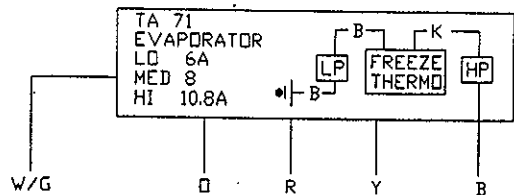
NEXT ASSY.: NONE		B	DWR	06/13/96	CHG DB ON 25 SKIRT COND TO 30A	03668
SUPERCEDES: 0022183, 0021531		A	BJM	11/14/97	ADD TA 734 SUPER A/C	02973
DO NOT SCALE DRAWING		-	BJM	9/17/97	RELEASE TO PRODUCTION	02726
MARK PART NUMBER AND REVISION ON ALL PARTS		REV.	BY	DATE	DESCRIPTION	ER NUMBER
THIS DRAWING IS THE PROPERTY OF ELDORADO NATIONAL COMPANY, A THOR INDUSTRIES COMPANY AND IS NOT TO BE DUPLICATED OR USED IN ANY WAY DETRIMENTAL TO THEIR BEST INTEREST.		TOLERANCE UNLESS SPECIFIED		DRAWING INFORMATION		
		FRACTIONS ± 1/16	DRAWN: CULLAN		CHKD:	PART NUMBER
		DECIMALS .00 ± .08	DATE: 9/17/97	SIZE: B	0024095	
		ANGLES ± 1 DEG.		SCALE: 1=1	WT:	

ENC
 304 AVENUE B
 501 INDUSTRIAL AREA
 SALINA, KS. 67401

ELDORADO NATIONAL CO. A THOR INDUSTRIES COMPANY
 TITLE: SCHEMATIC, AT/AL TA A/C SUPER
 MAT'L SPEC. SEE B.O.M.
 PART NUMBER 0024095
 PAGE 1 of 3

A = EVAPO CB 20A P/N 0000612

B = CLR/COND CB 30A P/N 60920

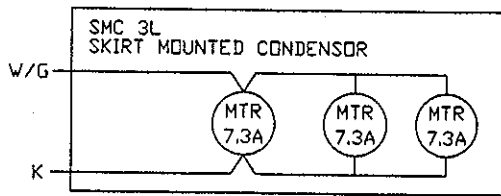
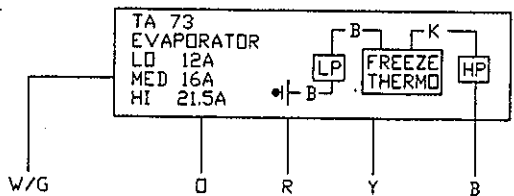


A/C 712

REAR EVAPORATOR HARNESS IS P/N 69772

A = EVAPO CB 30A P/N 60920

B = CLR/COND CB 30A P/N 60920



A/C 733

ITEM	QTY.	PART NO.	DESCRIPTION
1	12	68467	TERM, AMP 14-16 AWG RELAY CONN
2	8	68468	TERM, AMP 10-12 AWG RELAY CONN
3	1	61810	CONN, BUTT 10-12/14-16 AWG INS
4	5	61680	CONN, BUTT 10-12 AWG INS
5	8	62320	CONN, RING 14-16 AWG X #10 INS
6	13	62160	CONN, RING 10-12 AWG X #10 INS
7			
8	1	68450	BLOCK, TERMINAL 12-POS 1-ROW #10
9	8	112927	NUT, #10-32 KEP PLTD HEX
10	2	116960	SCREW, TEK #8 X 3/4" PH PHIL
11	2	0001305	WASHER, #8 EXT STAR
12	1	60920	BREAKER, 30A AUTORESET CROSSMOUNT CKT
13	7	116920	SCREW, TEK #8 X 1/2" PH PHIL
14			
15	5	69860	CONN, AMP RELAY SOCKET
16	5	68323	RELAY, 12 VDC SPDT WITH MOUNT
17			
18	1	63069	FUSE, BLADE 15A
19	1	0000612	BREAKER, 20A AUTORESET CROSSMOUNT CKT
20	1.00	69055	WIRE, GXL 14 AWG BLUE B 1 @ 12.00"
21	1.00	69250	WIRE, GXL 10 AWG BLACK K 1 @ 12.00"
22	25.00	69850	FLEXLOOM, 1/4 SLIT 1 @ 300.00"
23	35.00	69773	WIRE, 7-COND EM-3 EVAPO 35.00'
24	25.00	69250	WIRE, GXL 10 AWG BLACK K 1 @ 300.00"
25	1	124860	SWITCH, ROTARY 3-SPEED
26			
27	1	120427	SWITCH, THERMOSTAT
28	1	120428	KNOB, SWITCH THERMOSTAT
29	1	120425	SWITCH, CONNECTOR WITH HARNESS

NEXT ASSY.: NONE
 SUPERCEDES: NONE
 DO NOT SCALE DRAWING
 MARK PART NUMBER AND REVISION ON ALL PARTS

REV.	BY	DATE	DESCRIPTION	ER NUMBER
B	DWR	08/11/98	CHG CB ON 25 SKIRT COND TO 30A	03688
A	B/M	11/18/97	ADD TA 734 SUPER A/C	02973
-	B/M	9/11/97	RELEASE TO PRODUCTION	02726

ENC
 304 AVENUE B
 SO. INDUSTRIAL AREA
 SALINA, KS. 67401

ELDORADO NATIONAL CO. A THOR INDUSTRIES COMPANY

TITLE:
 SCHEMATIC, AT/AL TA A/C SUPER

TOLERANCE UNLESS SPECIFIED
 FRACTIONS ± 1/16
 DECIMALS .00 ± .06
 ANGLES ± 1 DEG.

DRAWING INFORMATION
 DRAWN/JACOUILLANI CKD:
 DATE: 9/17/97 SIZE: B
 SCALE: 1=1 WT:

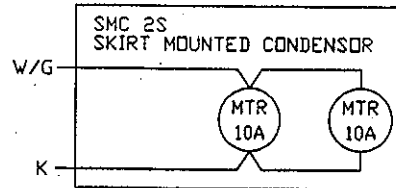
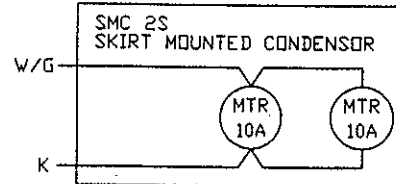
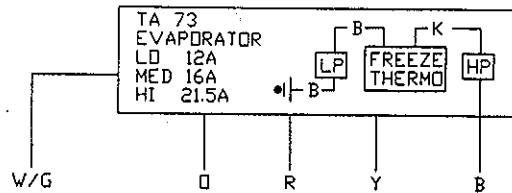
MAT'L SPEC.
 SEE B.O.M.
 PART NUMBER
 0024095

PAGE
 2 of 3

THIS DRAWING IS THE PROPERTY OF ELDORADO NATIONAL COMPANY, A THOR INDUSTRIES COMPANY AND IS NOT TO BE DUPLICATED OR USED IN ANY WAY DETRIMENTAL TO THEIR BEST INTEREST.

A = EVAPD CB 30A P/N 60920

B = CLR/COND CB 50A P/N 61160



A/C 734

ITEM	QTY.	PART NO.	DESCRIPTION
30	4	129214	TERM, FEM PUSHON 14-16 AWG
31	4.00	69085	WIRE, GXL 14 AWG GREEN G 4 @ 12.00"
32	0.50	69065	WIRE, GXL 14 AWG RED R 1 @ 6.00"
33	2.00	69095	WIRE, GXL 14 AWG BROWN 20N 2 @ 12.00"
34	1.00	69095	WIRE, GXL 14 AWG BROWN 03N 1 @ 12.00"
35	0.50	69265	WIRE, GXL 10 AWG RED R 1 @ 6.00"
36	1.50	69250	WIRE, GXL 10 AWG BLACK K 3 @ 6.00"
37	1.00	69225	WIRE, GXL 10 AWG ORANGE O 1 @ 12.00"
38	1.00	69215	WIRE, GXL 10 AWG YELLOW Y 1 @ 12.00"
39	2	62282	CONN, RING 10-12 AWG X 5/16" INS
40	2	119046	WASHER, 5/16" EXT STAR
41	1	120426	KNOB, ROTARY 3-SPEED SWITCH
42	1.00	69265	WIRE, GXL 10 AWG RED R 1 @ 12.00"
43			
44			
45			

NEXT ASSY.: NONE

SUPERCEDES: NONE

DO NOT SCALE DRAWING

MARK PART NUMBER AND REVISION ON ALL PARTS

THIS DRAWING IS THE PROPERTY OF ELDORADO NATIONAL COMPANY, A THOR INDUSTRIES COMPANY AND IS NOT TO BE DUPLICATED OR USED IN ANY WAY DETRIMENTAL TO THEIR BEST INTEREST.

REV.	BY	DATE	DESCRIPTION	ER NUMBER
B	DWR	08/13/96	CHG CB ON 2S SKIRT COND TO 50A	03666
A	BJM	11/19/93	ADD TA 734 SUPER A/C	02973
-	BJM	9/17/91	RELEASE TO PRODUCTION	02726



304 AVENUE B
SO. INDUSTRIAL AREA
SALINA, KS. 67401

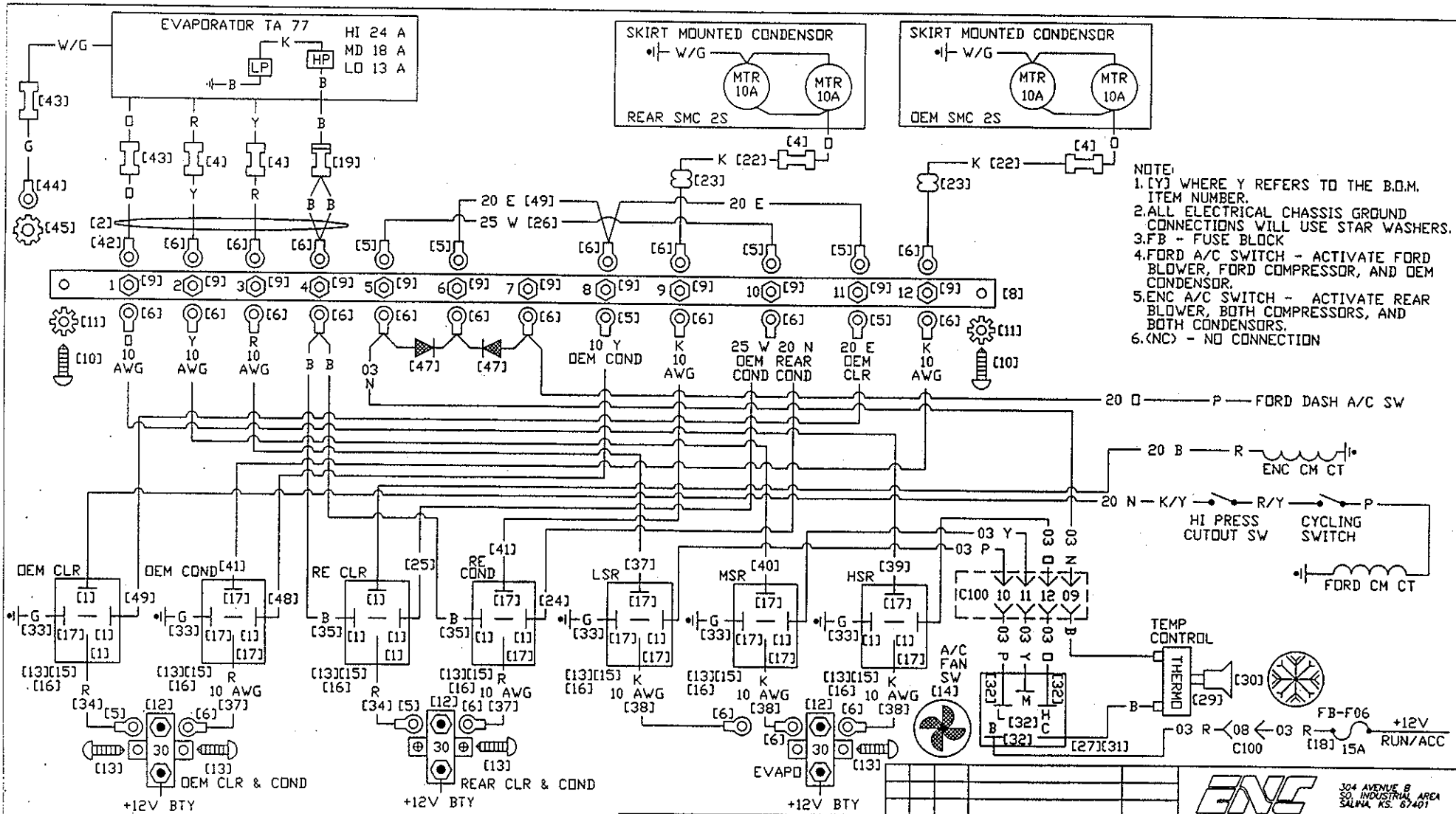
ELDORADO NATIONAL CO. A THOR INDUSTRIES COMPANY

TITLE:
SCHEMATIC, AT/AL TA A/C SUPER

MAT'L SPEC.
SEE B.O.M.

PART NUMBER
0024095

PAGE
3 of 3



NEXT ASSY.: NONE					
SUPERCEDES: 0022304		A DWR 08/13/88		CHG AMPERAGE ON 25 SKIRT COND.	
DO NOT SCALE DRAWING		- BJM 10/3/97		RELEASE TO PRODUCTION	
MARK PART NUMBER AND REVISION ON ALL PARTS		REV. BY		DATE	
THIS DRAWING IS THE PROPERTY OF ELDORADO NATIONAL COMPANY, A THOR INDUSTRIES COMPANY AND IS NOT TO BE DUPLICATED OR USED IN ANY WAY DETRIMENTAL TO THEIR BEST INTEREST.		TOLERANCE UNLESS SPECIFIED		DRAWING INFORMATION	
		FRACTIONS ± 1/16		DRAWN: MCDURRAN	
		DECIMALS .00 ± .06		DATE: 10/3/97	
		ANGLES ± 1 DEG.		SCALE: 1/1	
				MATERIAL SPEC. SEE B.O.M.	
				PART NUMBER	
				0024147	
				PAGE	
				1 of 3	

ENC 304 AVENUE B
 SO. INDUSTRIAL AREA
 SALINA, KS. 67401


ELDORADO NATIONAL CO., A THOR INDUSTRIES COMPANY
 TITLE: SCHEMATIC, 98 TA 774 SUPER A/C

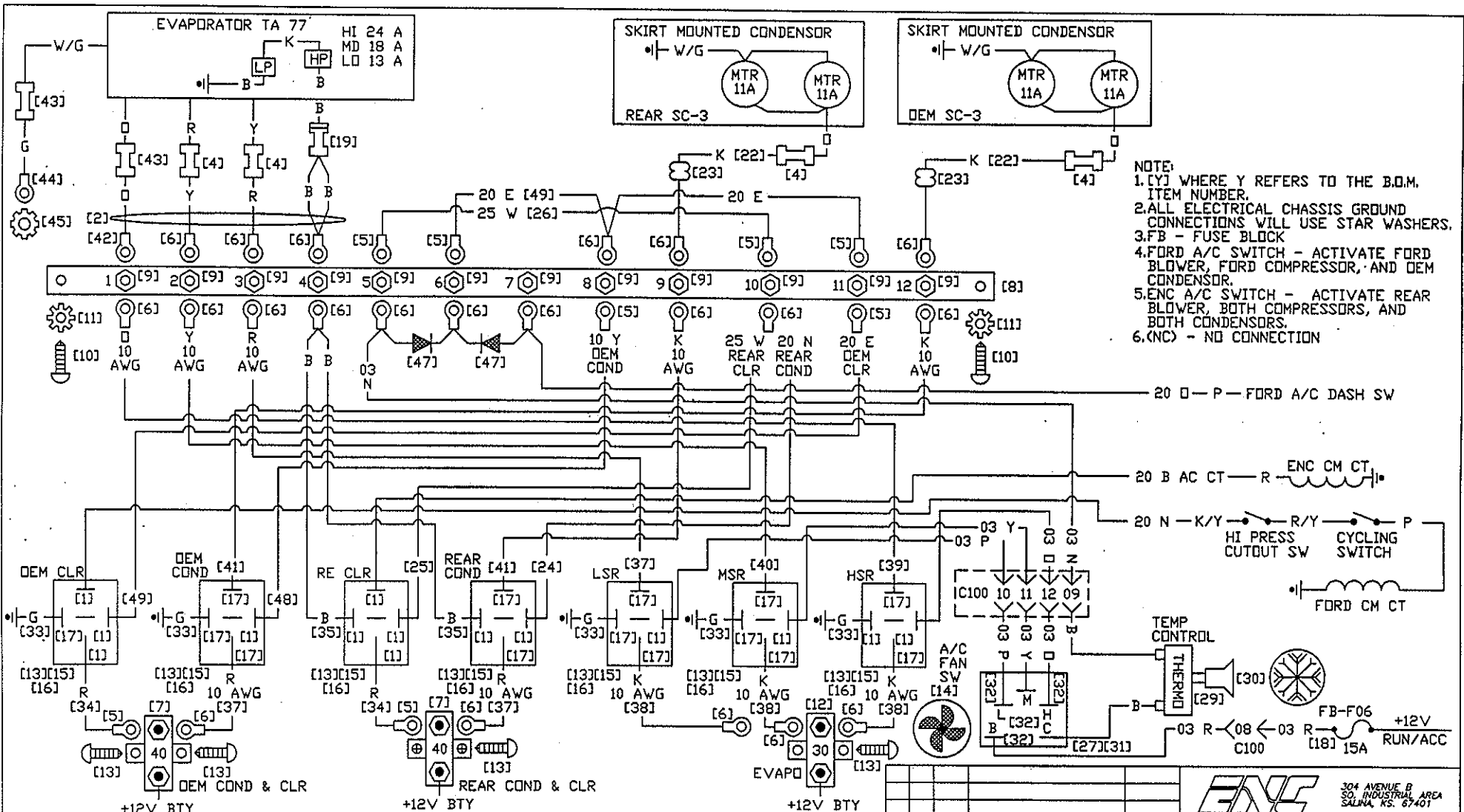
DATE: 10/3/97
 SIZE: B
 WT:

NS

ITEM	QTY.	PART NO.	DESCRIPTION
31	1	120425	SWITCH, CONNECTOR WITH HARNESS
32	4	129214	TERM, FEM PUSHON 14-16 AWG BARE
33	5.00	69085	WIRE, GXL 14 AWG GREEN G 5 @ 12.00"
34	3.00	69065	WIRE, GXL 14 AWG RED R 2 @ 18.00"
35	2.00	69055	WIRE, GLX 14 AWG BLUE B 2 @ 12.00"
36			
37	3.00	69285	WIRE, GXL 10 AWG RED R 3 @ 12.00"
38	3.00	69250	WIRE, GXL 10 AWG BLACK K 3 @ 12.00"
39	1.00	69225	WIRE, GXL 10 AWG ORANGE O 1 @ 12.00"
40	1.00	69215	WIRE, GXL 10 AWG YELLOW Y 1 @ 12.00"
41	2.00	69250	WIRE, GXL 10 AWG BLACK K 2 @ 12.00"
42	1	0000917	CONN, RING 8 AWG X #10 INS
43	2	61701	CONN, BUTT 8 AWG INS
44	1	0000916	CONN, RING 8 AWG X 5/16" INS
45	1	119046	WASHER, 5/16" EXT STAR
46			
47	2	60800	DIODE, 6A RECTIFIER
48	1.00	69015	WIRE, GXL 14 AWG YELLOW 10Y 1 @ 12.00"
49	2.00	69035	WIRE, GXL 14 AWG GRAY 20E 2 @ 12.00"
50			
51			
52			
53			
54			
55			

NOTE
1. NS - NOT SHOWN

NEXT ASSY.: NONE						 304 AVENUE B SO. INDUSTRIAL AREA SALINA, KS. 67401	
SUPERCEDES: 0022304		A	DWR 08/13/96	CHK AMPERAGE ON 25 SKIRT	03886	ELDORADO NATIONAL CO. A THOR INDUSTRIES COMPANY TITLE:	
DO NOT SCALE DRAWING		-	BJM 10/3/97	RELEASE TO PRODUCTION	02726	SCHEMATIC, 98 TA 774 SUPER A/C	
MARK PART NUMBER AND REVISION ON ALL PARTS		REV.	BY	DATE	DESCRIPTION	ER NUMBER	NAT'L SPEC. SEE B.O.M.
THIS DRAWING IS THE PROPERTY OF ELDORADO NATIONAL COMPANY, A THOR INDUSTRIES COMPANY AND IS NOT TO BE DUPLICATED OR USED IN ANY WAY DETRIMENTAL TO THEIR BEST INTEREST.		TOLERANCE UNLESS SPECIFIED			DRAWING INFORMATION		
		FRACTIONS ± 1/16			DRAWING: GULLAWY CRD.		
		DECIMALS .00 ± .04			DATE: 10/3/97		
ANGLES ± 1 DEG.			SCALE: 1/1"			PART NUMBER 0024147	
							PAGE 3 of 3



- NOTE:
1. [Y] WHERE Y REFERS TO THE B.O.M. ITEM NUMBER.
 2. ALL ELECTRICAL CHASSIS GROUND CONNECTIONS WILL USE STAR WASHERS.
 3. FB - FUSE BLOCK
 4. FORD A/C SWITCH - ACTIVATE FORD BLOWER, FORD COMPRESSOR, AND DEM CONDENSOR.
 5. ENC A/C SWITCH - ACTIVATE REAR BLOWER, BOTH COMPRESSORS, AND BOTH CONDENSORS.
 6. (NC) - NO CONNECTION

NEXT ASSY.: NONE		ELDORADO NATIONAL CO. A THOR INDUSTRIES COMPANY	
SUPERCEDES: 0022305		TITLE: SCHEMATIC, 98 TA 776 SUPER A/C	
DO NOT SCALE DRAWING		REV. BY DATE	DESCRIPTION
MARK PART NUMBER AND REVISION ON ALL PARTS		REV. BY DATE	DESCRIPTION
THIS DRAWING IS THE PROPERTY OF ELDERADO NATIONAL COMPANY, A THOR INDUSTRIES COMPANY AND IS NOT TO BE DUPLICATED OR USED IN ANY WAY DETRIMENTAL TO THEIR BEST INTEREST.		TOLERANCE UNLESS SPECIFIED	DRAWING INFORMATION
		FRACTIONS ± 1/16	DATE: 10/3/97
		DECIMALS .00 ± .06	SCALE: 1/4"
		ANGLES ± 1 DEG	W/L:
		MAT'L SPEC. SEE B.O.M.	PART NUMBER
			0024148
			PAGE 1 OF 3

ENG 304 AVENUE B
50 INDUSTRIAL AREA
SALINA, KS. 67401

ELDORADO NATIONAL CO. A THOR INDUSTRIES COMPANY
TITLE: SCHEMATIC, 98 TA 776 SUPER A/C

PART NUMBER: 0024148
PAGE: 1 OF 3

ITEM	QTY.	PART NO.	DESCRIPTION
1	14	68467	TERM, AMP 14-16 AWG RELAY CONN
2	35.00	69773	WIRE, 7-COND EM-3 1 @ 420.00"
3	-	-	-
4	4	61680	CONN, BUTT 10-12 AWG INS
5	8	62320	CONN, RING 14-16 AWG X #10 INS
6	21	62160	CONN, RING 10-12 AWG X #10 INS
7	2	60927	BREAKER, 40A AUTORESET CROSSMOUNT CKT
8	1	68450	BLOCK, TERM 12-POS 1-ROW #10
9	12	112927	NUT, #10-32 KEP PLTD HEX
10	2	116960	SCREW, TEK #8 X 3/4" PH PHIL
11	2	0001305	WASHER, #8 EXT STAR
12	1	60920	BREAKER, 30A AUTORESET CROSSMOUNT CKT
13	11	116920	SCREW, TEK #8 X 1/2" PH PHIL
14	1	120426	KNOB, ROTARY 3-SPEED SWITCH
15	7	69860	CONN, AMP RELAY SOCKET
16	7	68323	RELAY, SPDT WITH MOUNT
17	14	68468	TERM, AMP 10-12 AWG RELAY CONN
18	1	63069	FUSE, BLADE 15A
19	1	61810	CONN, BUTT 10-12/14-16 AWG INS
20	-	-	-
21	-	-	-
22	60.00	69250	WIRE, GXL 10 AWG BLACK K 2 @ 360.00"
23	60.00	69850	FLEXLOOM, 1/4 SLIT 2 @ 360.00"
24	1.00	69095	WIRE, GXL 14 AWG BROWN 20N 1 @ 12.00"
25	1.00	69045	WIRE, GXL 14 AWG WHITE 25W 1 @ 12.00"
26	0.50	69045	WIRE, GXL 14 AWG WHITE 25W 12 @ 6.00"
27	1	124860	SWITCH, ROTARY 3-SPEED
28	-	-	-
29	1	120427	SWITCH, THERMOSTAT
30	1	120428	SWITCH, KNOB THERMOSTAT

NOTE
1. NS - NOT SHOWN

NEXT ASSY.: NONE
 SUPERCEDES: 0022305
 DO NOT SCALE DRAWING
 MARK PART NUMBER AND REVISION ON ALL PARTS

REV.	BY	DATE	DESCRIPTION	ITER NUMBER
-	BUM	10/3/97	RELEASE TO PRODUCTION	02726

ENC
 304 AVENUE B
 50 INDUSTRIAL AREA
 SALINA, KS. 67401

ELDORADO NATIONAL CO. A THOR INDUSTRIES COMPANY

TITLE: SCHEMATIC, 98 TA 776 SUPER A/C

MAT'L SPEC. SEE B.O.M.
 PART NUMBER 0024148

PAGE 2 of 3

THIS DRAWING IS THE PROPERTY OF ELDORADO NATIONAL COMPANY, A THOR INDUSTRIES COMPANY AND IS NOT TO BE DUPLICATED OR USED IN ANY WAY DETRIMENTAL TO THEIR BEST INTEREST.

TOLERANCE UNLESS SPECIFIED
 FRACTIONS ± 1/16
 DECIMALS .00 ± .05
 ANGLES ± 1 DEG.

DRAWING INFORMATION
 DRAWN: JACQUELLE
 DATE: 10/3/97
 SCALE: 1/1

NS

ITEM	QTY.	PART NO.	DESCRIPTION
31	1	120425	SWITCH, CONNECTOR WITH HARNESS
32	4	129214	TERM, FEM PUSHON 14-16 AWG BARE
33	5.00	69085	WIRE, GXL 14 AWG GREEN G 5 @ 12.00"
34	3.00	69065	WIRE, GXL 14 AWG RED R 2 @ 18.00"
35	2.00	69055	WIRE, GLX 14 AWG BLUE B 2 @ 12.00"
36	-	-	-
37	3.00	69265	WIRE, GXL 10 AWG RED R 3 @ 12.00"
38	3.00	69250	WIRE, GXL 10 AWG BLACK K 3 @ 12.00"
39	1.00	69225	WIRE, GXL 10 AWG ORANGE O 1 @ 12.00"
40	1.00	69215	WIRE, GXL 10 AWG YELLOW Y 1 @ 12.00"
41	2.00	69250	WIRE, GXL 10 AWG BLACK K 2 @ 12.00"
42	1	0000917	CONN, RING 8 AWG X #10 INS
43	2	61701	CONN, BUTT 8 AWG INS
44	1	0000916	CONN, RING 8 AWG X 5/16" INS
45	1	119046	WASHER, 5/16" EXT STAR
46	-	-	-
47	2	60800	DIODE, 6A RECTIFIER
48	1.00	69015	WIRE, GXL 14 AWG YELLOW 10Y 1 @ 12.00"
49	2.00	69035	WIRE, GXL 14 AWG GRAY 20E 2 @ 12.00"
50	-	-	-
51	-	-	-
52	-	-	-
53	-	-	-
54	-	-	-
55	-	-	-

NOTE
1. NS - NOT SHOWN

NEXT ASSY.: NONE

SUPERCEDES: 0022305

DO NOT SCALE DRAWING

MARK PART NUMBER AND REVISION ON ALL PARTS

THIS DRAWING IS THE PROPERTY OF ELDERADO NATIONAL COMPANY, A THOR INDUSTRIES COMPANY AND IS NOT TO BE DUPLICATED OR USED IN ANY WAY DETRIMENTAL TO THEIR BEST INTEREST.

REV.	BY	DATE	DESCRIPTION	ER NUMBER
-	BJM	10/3/97	RELEASE TO PRODUCTION	02728



304 AVENUE B
SO. INDUSTRIAL AREA
SALINA, KS. 67401

ELDERADO NATIONAL CO. A THOR INDUSTRIES COMPANY

TITLE:
SCHEMATIC, 98 TA 776 SUPER A/C

MATL SPEC.
SEE B.O.M.

PART NUMBER
0024148