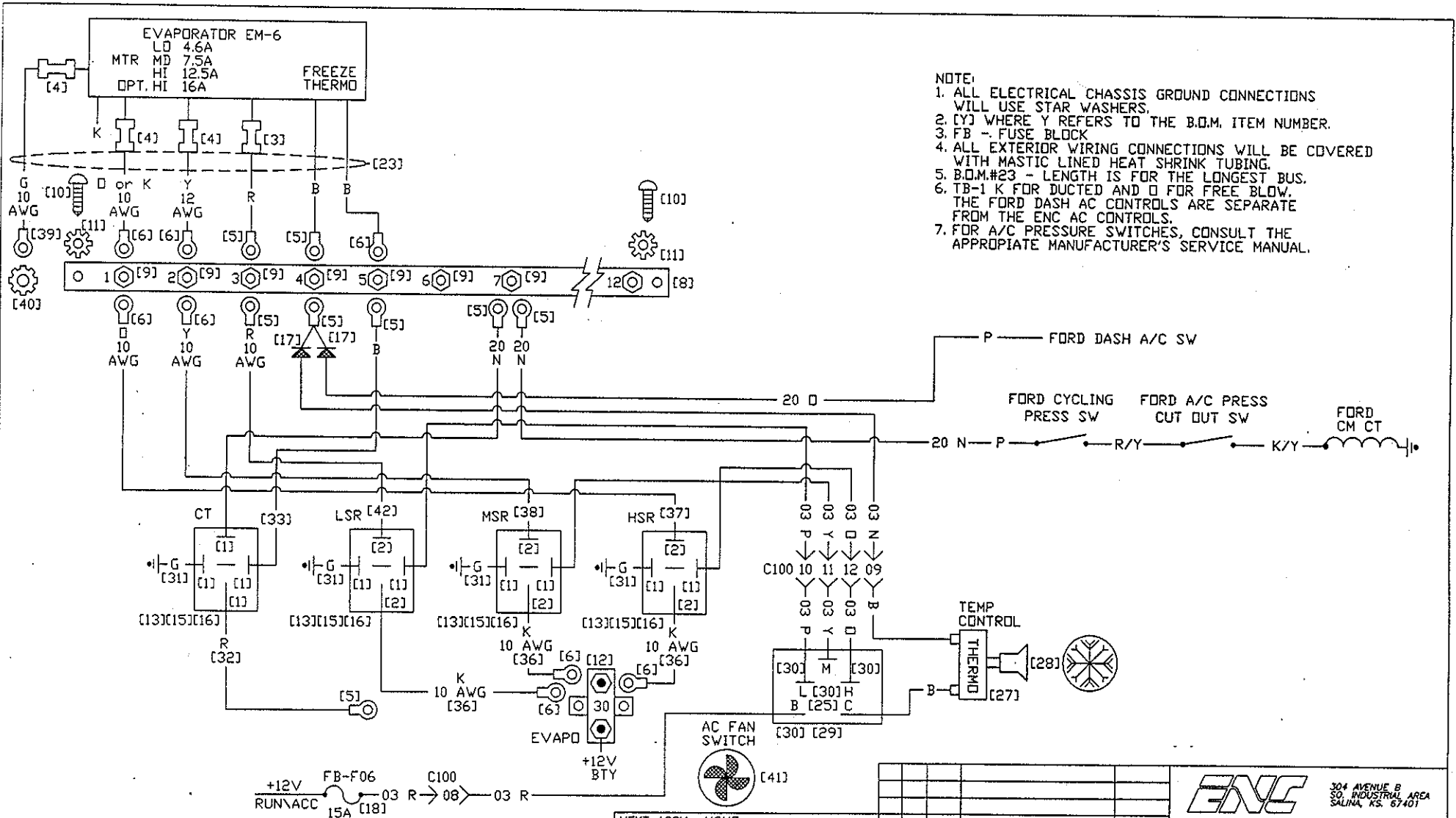


## **SECTION 14 - A/C CIRCUITS - CARRIER A/C**

0024124	SCHEMATIC, '98 AT/AL 340 A/C TIE-IN
0024075	SCHEMATIC, AT/AL CAC A/C TIE-IN
0024076	SCHEMATIC, AT/AL/ATC CAC A/C MAX
0024077	SCHEMATIC, AT/AL CAC 862
0024565	SCHEMATIC, AT/AL/ATC CAC MAX A/C
0024078	SCHEMATIC, AT/AL CAC



- NOTE:
1. ALL ELECTRICAL CHASSIS GROUND CONNECTIONS WILL USE STAR WASHERS.
  2. (Y) WHERE Y REFERS TO THE B.O.M. ITEM NUMBER.
  3. FB - FUSE BLOCK
  4. ALL EXTERIOR WIRING CONNECTIONS WILL BE COVERED WITH MASTIC LINED HEAT SHRINK TUBING.
  5. B.O.M.#23 - LENGTH IS FOR THE LONGEST BUS.
  6. TB-1 K FOR DUCTED AND D FOR FREE BLOW. THE FORD DASH AC CONTROLS ARE SEPARATE FROM THE ENC AC CONTROLS.
  7. FOR A/C PRESSURE SWITCHES, CONSULT THE APPROPRIATE MANUFACTURER'S SERVICE MANUAL.

NEXT ASSY.: NONE									
SUPERCEDES: 0019000									
DO NOT SCALE DRAWING		- JUN 19/87		RELEASE TO PRODUCTION		02710			
MARK PART NUMBER AND REVISION ON ALL PARTS		REV. BY DATE		DESCRIPTION		ER NUMBER		MAT'L SPEC. SEE B.O.M.	
THIS DRAWING IS THE PROPERTY OF ELDORADO NATIONAL COMPANY, A THOR INDUSTRIES COMPANY AND IS NOT TO BE DUPLICATED OR USED IN ANY WAY DETRIMENTAL TO THEIR BEST INTEREST.		TOLERANCE UNLESS SPECIFIED		DRAWING INFORMATION		DRAWING/CULLAN		PART NUMBER	
		FRACTIONS ± 1/16		DATE: 9/30/87		SCALE: 1=1		0024124	
		DECIMALS .00 ± .06							
		ANGLES ± 1 DEG.						PAGE 1 of 3	

**ENC**  
 304 AVENUE B  
 SO. INDUSTRIAL AREA  
 SALINA, KS. 67401

ELDORADO NATIONAL CO., A THOR INDUSTRIES COMPANY

TITLE:  
 SCHEMATIC, 98 AT/AL 340 A/C TIE-IN

MAT'L SPEC. SEE B.O.M.

PART NUMBER  
 0024124

ITEM	QTY.	PART NO.	DESCRIPTION
1	10	68467	TERM, AMP 14-16 AWG RELAY CONN
2	6	68468	TERM, AMP 10-12 AWG RELAY CONN
3	1	61800	CONN, BUTT 14-16 AWG INS
4	3	61680	CONN, BUTT 10-12 AWG INS
5	7	62320	CONN, RING 14-16 AWG X #10 INS
6	9	62160	CONN, RING 10-12 AWG X #10 INS
7			
8	1	68450	BLOCK, TERMINAL #4721-P12
9	7	112927	NUT, #10-32 KEP PLTD HEX
10	2	116960	SCREW, TEK #8 X 3/4" PH PHIL
11	2	0001305	WASHER, #8 EXT STAR
12	1	60920	BREAKER, 30A AUTORESET MOUNTABLE
13	4	116920	SCREW, TEK #8 X 1/2" PH PHIL
14			
15	4	69860	CONN, AMP RELAY SOCKET
16	4	68323	RELAY, SPDT WITH MOUNT
17	2	60800	DIODE, 6A RECTIFIER
18	1	63069	FUSE, ATC 15A
19			
20			
21			
22			
23	35.00	69773	WIRE, 7-COND EM-3 EVAPORATOR
24			
25	1	124860	SWITCH, ROTARY 3-SPEED
26			
27	1	120427	SWITCH, THERMOSTAT
28	1	120428	KNOB, THERMOSTAT SWITCH
29	1	120425	SWITCH, CONNECTOR WITH HARNESS
30	4	129214	TERM, FEM PUSHON 14-16 AWG

NEXT ASSY.: NONE

SUPERCEDES: 0019000

DO NOT SCALE DRAWING

MARK PART NUMBER AND REVISION ON ALL PARTS

THIS DRAWING IS THE PROPERTY OF EL Dorado NATIONAL COMPANY, A THOR INDUSTRIES COMPANY AND IS NOT TO BE DUPLICATED OR USED IN ANY WAY DETRIMENTAL TO THEIR BEST INTEREST.

REV.	BY	DATE	DESCRIPTION	ER NUMBER	MAT'L SPEC.
-	BJM	9/30/97	RELEASE TO PRODUCTION	02710	SEE B.O.M.




304 AVENUE B  
SO. INDUSTRIAL AREA  
SALINA, KS. 67401

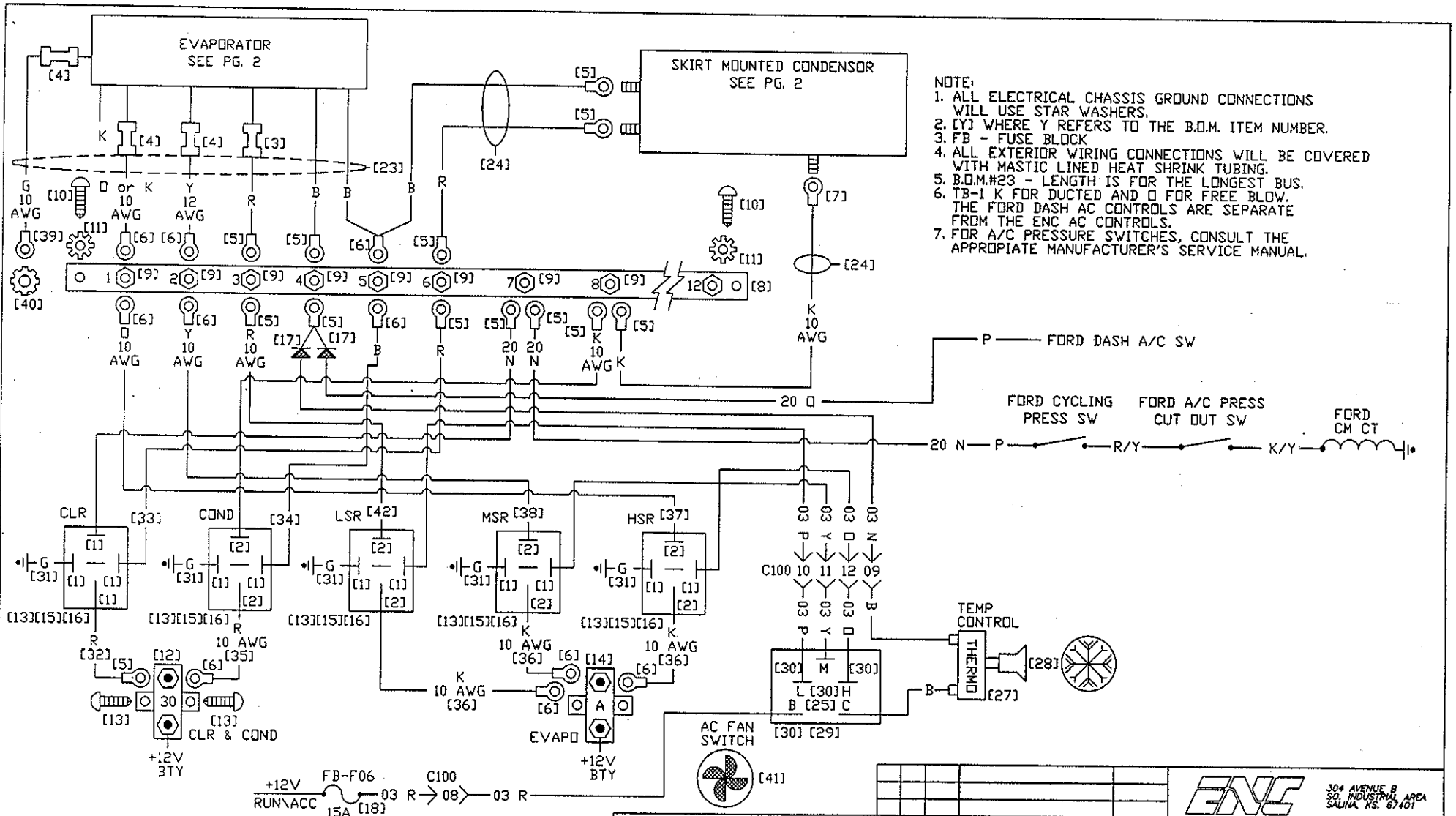
ELDORADO NATIONAL CO. A THOR INDUSTRIES COMPANY

TITLE:  
SCHEMATIC, 98 AT/AL 340 A/C TIE-IN

PART NUMBER  
0024124

ITEM	QTY.	PART NO.	DESCRIPTION
31	4.00	69085	WIRE, GXL 14 AWG GREEN G 4 @ 12.00"
32	0.50	69065	WIRE, GXL 14 AWG RED R 1 @ 0.50"
33	1.00	69055	WIRE, GXL 14 AWG BLUE BR 1 @ 12.00"
34			
35			
36	1.50	69250	WIRE, GXL 10 AWG BLACK K 1 @ 0.50"
37	1.00	69225	WIRE, GXL 10 AWG ORANGE O 1 @ 12.00"
38	1.00	69215	WIRE, GXL 10 AWG YELLOW Y 1 @ 12.00"
39	1	62282	CONN, RING 10-12 AWG X 5/16"
40	1	119046	WASHER, 5/16" EXT STAR
41	1	120426	KNOB, ROTARY 3-SPEED SWITCH
42	1.00	69265	WIRE, GXL 10 AWG RED R 1 @ 12.00"
43			
44			
45			

NEXT ASSY.: NONE						 304 AVENUE B SO. INDUSTRIAL AREA SALINA, KS. 67401								
SUPERCEDES: 0019000														
DO NOT SCALE DRAWING				REV.	BY	DATE	DESCRIPTION	ER NUMBER	ELDORADO NATIONAL CO. A THOR INDUSTRIES COMPANY TITLE: SCHEMATIC, 98 AT/AL 340 A/C TIE-IN					
MARK PART NUMBER AND REVISION ON ALL PARTS									MAT'L SPEC. SEE B.O.M.					
THIS DRAWING IS THE PROPERTY OF ELDORADO NATIONAL COMPANY, A THOR INDUSTRIES COMPANY AND IS NOT TO BE DUPLICATED OR USED IN ANY WAY DETRIMENTAL TO THEIR BEST INTEREST.				TOLERANCE UNLESS SPECIFIED			DRAWING INFORMATION			PART NUMBER				
				FRACTIONS ± 1/16			DRAWN: MCOULLAN			CKD.:			0024124	
				DECIMALS .00 ± .06			DATE: 9/30/97			SIZE: B			PAGE	
				ANGLES ± 1 DEG.			SCALE: 1=1			WT.:			3 of 3	

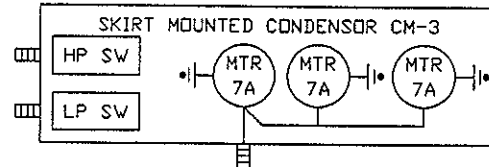
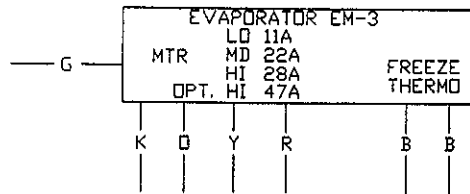


- NOTE:
1. ALL ELECTRICAL CHASSIS GROUND CONNECTIONS WILL USE STAR WASHERS.
  2. (Y) WHERE Y REFERS TO THE B.O.M. ITEM NUMBER.
  3. FB - FUSE BLOCK
  4. ALL EXTERIOR WIRING CONNECTIONS WILL BE COVERED WITH MASTIC LINED HEAT SHRINK TUBING.
  5. B.O.M.#23 - LENGTH IS FOR THE LONGEST BUS.
  6. TB-1 K FOR DUCTED AND O FOR FREE BLOW. THE FORD DASH AC CONTROLS ARE SEPARATE FROM THE ENC AC CONTROLS.
  7. FOR A/C PRESSURE SWITCHES, CONSULT THE APPROPRIATE MANUFACTURER'S SERVICE MANUAL.

NEXT ASSY.: NONE		ELDORADO NATIONAL CO. A THOR INDUSTRIES COMPANY	
SUPERCEDES: 0019001,0019002,0020220,0022179		TITLE: SCHEMATIC, AT/AL CAC A/C TIE-IN	
DO NOT SCALE DRAWING		REV. BY DATE	DESCRIPTION
MARK PART NUMBER AND REVISION ON ALL PARTS		02710	ER NUMBER
THIS DRAWING IS THE PROPERTY OF ELDERADO NATIONAL COMPANY, A THOR INDUSTRIES COMPANY AND IS NOT TO BE DUPLICATED OR USED IN ANY WAY DETRIMENTAL TO THEIR BEST INTEREST.		MATERIAL SPEC. SEE B.O.M.	
TOLERANCE UNLESS SPECIFIED		DRAWING INFORMATION	
FRACTIONS ± 1/16		DRAWING/CHECKED	
DECIMALS .00 ± .08		DATE: 9/9/97	
ANGLES ± 1 DEG.		SIZE: B	
		SCALE: 1=1	
		WT:	
		PART NUMBER	
		0024075	
		PAGE	
		1 of 3	

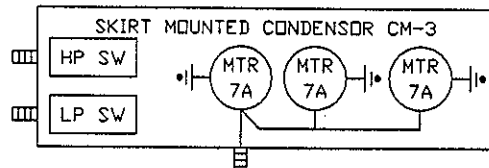
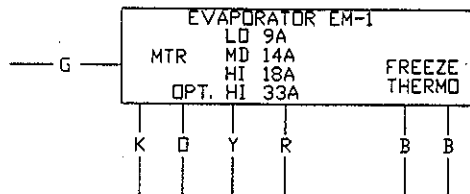
**ENC**  
304 AVENUE B  
S.O. INDUSTRIAL AREA  
SALINA, KS. 67401

A/C 663



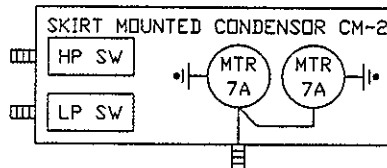
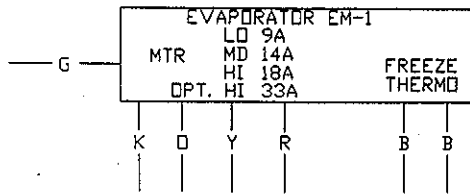
A = EVAPD CB 50A P/N 61160

A/C 553



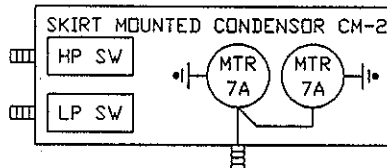
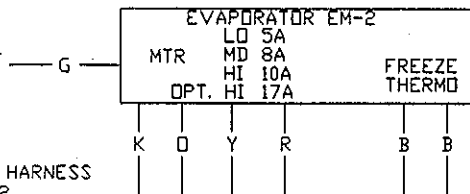
A = EVAPD CB 40A P/N 60927

A/C 552



A = EVAPD CB 40A P/N 60927

A/C 442



A = EVAPD CB 20A P/N 0000612

REAR EVAPD HARNESS IS P/N 69772

ITEM	QTY.	PART NO.	DESCRIPTION
1	12	68467	TERM, AMP 14-16 AWG RELAY CONN
2	8	68468	TERM, AMP 10-12 AWG RELAY CONN
3	1	61800	CONN, BUTT 14-16 AWG INS
4	3	61680	CONN, BUTT 10-12 AWG INS
5	13	62320	CONN, RING 14-16 AWG X #10 INS
6	10	62160	CONN, RING 10-12 AWG X #10 INS
7	1	62161	CONN, RING 10-12 AWG X 1/4" INS
8	1	68450	BLOCK, TERMINAL #4721-P12
9	8	112927	NUT, #10-32 KEP PLTD HEX
10	2	116960	SCREW, TEK #8 X 3/4" PH PHIL
11	2	0001305	WASHER, #8 EXT STAR
12	1	60920	BREAKER, 30A AUTORESET MOUNTABLE
13	7	116920	SCREW, TEK #8 X 1/2" PH PHIL
14	1	0000612	BREAKER, 20A AUTORESET MOUNTABLE
15	5	69860	CONN, AMP RELAY SOCKET
16	5	68323	RELAY, SPDT WITH MOUNT
17	2	60800	DIODE, 6A RECTIFIER
18	1	63069	FUSE, ATC 15A
19			
20			
21			
22			
23	35.00	69773	WIRE, 7-COND EM-3 EVAPORATOR
24	25.00	69771	WIRE, 3-COND AC COND 25.00'
25	1	124860	SWITCH, ROTARY 3-SPEED
26			
27	1	120427	SWITCH, THERMOSTAT
28	1	120428	KNOB, THERMOSTAT SWITCH
29	1	120425	SWITCH, CONNECTOR WITH HARNESS
30	4	129214	TERM, FEM PUSHON 14-16 AWG

NEXT ASSY.: NONE  
 SUPERCEDES: 0019001,0019002,0020220,0022179  
**DO NOT SCALE DRAWING**  
 MARK PART NUMBER AND REVISION ON ALL PARTS  
 THIS DRAWING IS THE PROPERTY OF ELDERADO NATIONAL COMPANY, A THOR INDUSTRIES COMPANY AND IS NOT TO BE DUPLICATED OR USED IN ANY WAY DETRIMENTAL TO THEIR BEST INTEREST.

REV. BY	DATE	DESCRIPTION	ER NUMBER
BJM	9/9/97	RELEASE TO PRODUCTION	02710
TOLERANCE UNLESS SPECIFIED		DRAWING INFORMATION	
FRACTIONS ± 1/16 DECIMALS .00 ± .06 ANGLES ± 1 DEG.		DRAWN/MCCOILLAN CKD: DATE: 9/9/97 SCALE: 1=4	PART NUMBER 0024075

ELDORADO NATIONAL CO., A THOR INDUSTRIES COMPANY  
 TITLE: SCHEMATIC, AT/AL CAC A/C TE-IN  
 MAT'L SPEC. SEE B.O.M.  
 304 AVENUE B  
 SO. INDUSTRIAL AREA  
 SALINA, KS. 67401  
 PAGE 2 of 3

ITEM	QTY.	PART NO.	DESCRIPTION
31	5.00	69085	WIRE, GXL 14 AWG GREEN G 1.00'
32	0.50	69065	WIRE, GXL 14 AWG RED R 0.50'
33	1.00	69065	WIRE, GXL 14 AWG RED 20R 1.00'
34	1.00	69055	WIRE, GXL 14 AWG BLUE B 1.00'
35	0.50	69265	WIRE, GXL 10 AWG RED R 0.50'
36	1.50	69250	WIRE, GXL 10 AWG BLACK K 0.50'
37	1.00	69225	WIRE, GXL 10 AWG ORANGE O 1.00'
38	1.00	69215	WIRE, GXL 10 AWG YELLOW Y 1.00'
39	1	62282	CONN, RING 10-12 AWG X 5/16"
40	1	119046	WASHER, 5/16" EXT STAR
41	1	120426	KNOB, ROTARY 3-SPEED SWITCH
42	1.00	69265	WIRE, GXL 10 AWG RED R 1.00'
43			
44			
45			

NEXT ASSY.: NONE

SUPERCEDES: 0019001,0019002,0020220,0022179


DO NOT SCALE DRAWING

MARK PART NUMBER AND REVISION ON ALL PARTS

THIS DRAWING IS THE PROPERTY OF ELDORADO NATIONAL COMPANY, A THOR INDUSTRIES COMPANY AND IS NOT TO BE DUPLICATED OR USED IN ANY WAY DETRIMENTAL TO THEIR BEST INTEREST.

REV.	BY	DATE	DESCRIPTION	QR NUMBER
-	BJM	9/9/97	RELEASE TO PRODUCTION	02710

TOLERANCE UNLESS SPECIFIED		DRAWING INFORMATION	
FRACTIONS	± 1/16	DRAWN/MCQUILLAN	CKD.
DECIMALS	.00 ± .06	DATE: 9/9/97	SIZE: B
ANGLES	± 1 DEG.	SCALE: 1=4	WT.



304 AVENUE B  
SO. INDUSTRIAL AREA  
SALINA, KS. 67401

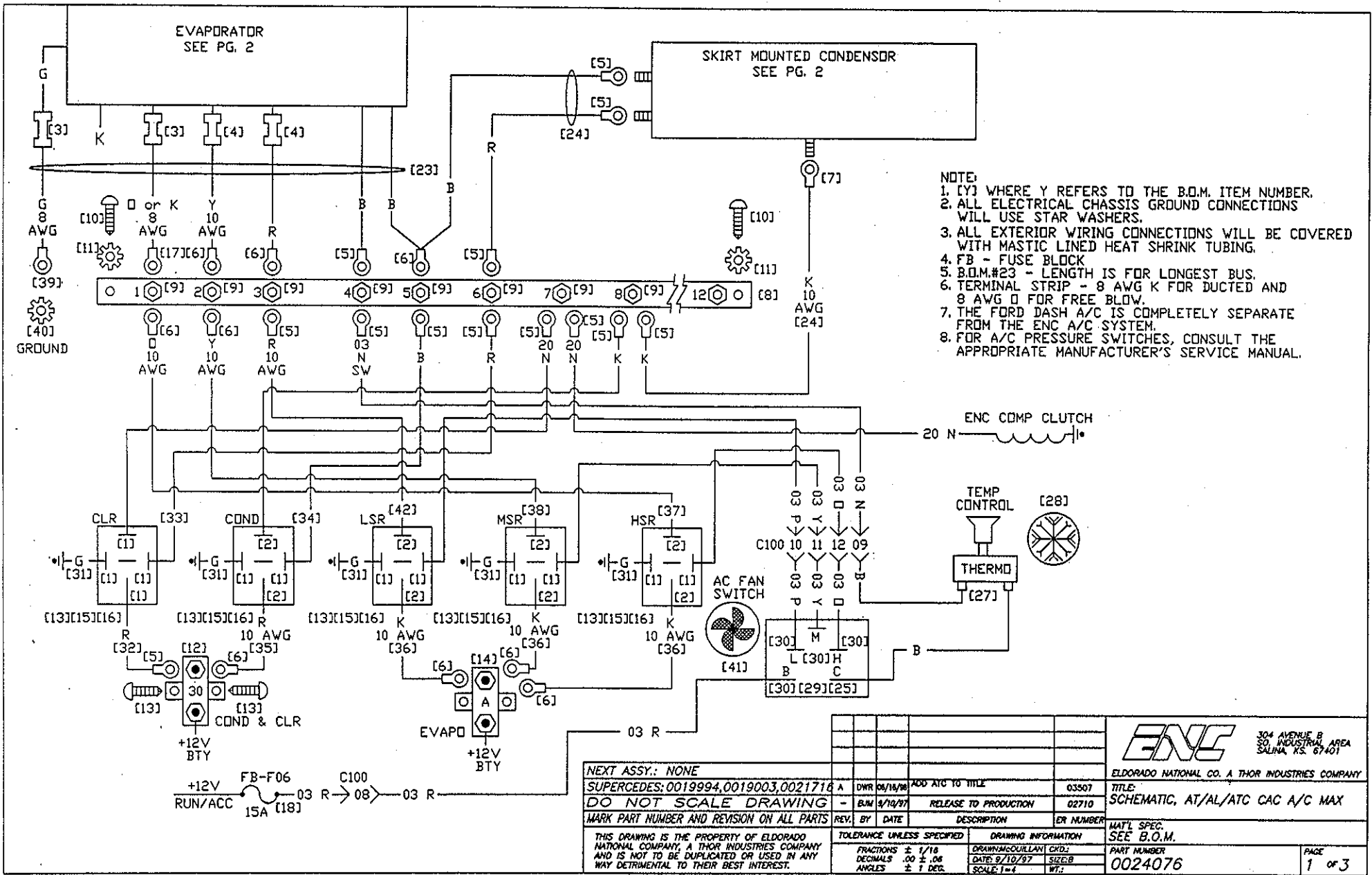
ELDORADO NATIONAL CO. A THOR INDUSTRIES COMPANY

TITLE:  
SCHEMATIC, AT/AL CAC A/C TIE-IN

MAT'L SPEC.  
SEE B.O.M.

PART NUMBER  
0024075

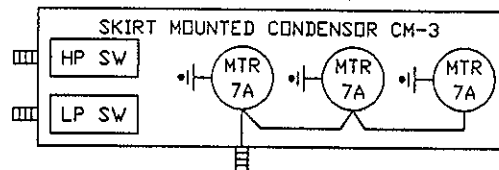
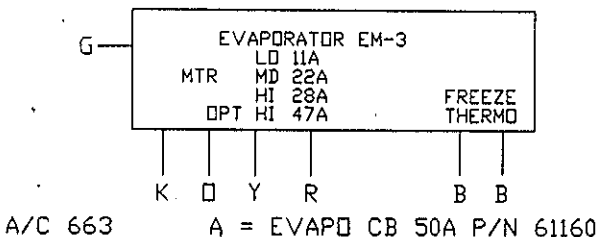
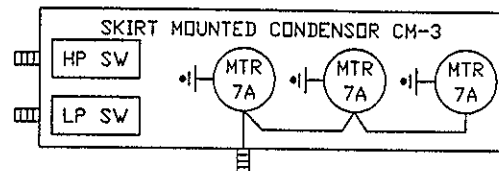
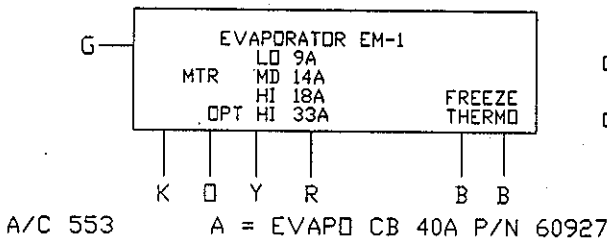
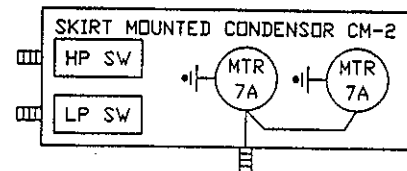
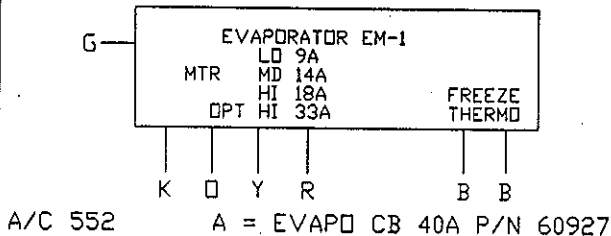
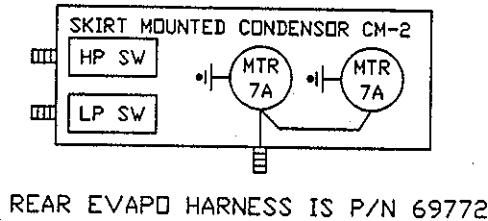
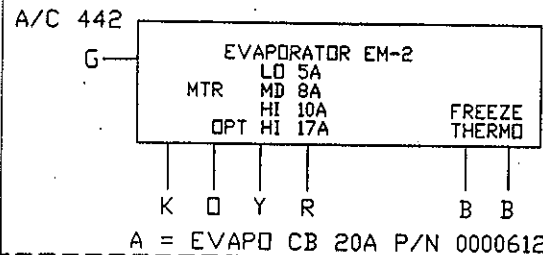
PAGE  
3 OF 3



- NOTE:
1. (Y) WHERE Y REFERS TO THE B.O.M. ITEM NUMBER.
  2. ALL ELECTRICAL CHASSIS GROUND CONNECTIONS WILL USE STAR WASHERS.
  3. ALL EXTERIOR WIRING CONNECTIONS WILL BE COVERED WITH MASTIC LINED HEAT SHRINK TUBING.
  4. FB - FUSE BLOCK
  5. B.O.M.#23 - LENGTH IS FOR LONGEST BUS.
  6. TERMINAL STRIP - 8 AWG K FOR DUCTED AND 8 AWG D FOR FREE BLOW.
  7. THE FORD DASH A/C IS COMPLETELY SEPARATE FROM THE ENC A/C SYSTEM.
  8. FOR A/C PRESSURE SWITCHES, CONSULT THE APPROPRIATE MANUFACTURER'S SERVICE MANUAL.

NEXT ASSY.: NONE										304 AVENUE B 20 INDUSTRIAL AREA SALINA, KS. 67401	
SUPERCEDES: 0019994, 0019003, 0021718		DWR	06/18/98	ADD A/C TO TITLE		03507	ELDORADO NATIONAL CO. A THOR INDUSTRIES COMPANY TITLE:		304 AVENUE B 20 INDUSTRIAL AREA SALINA, KS. 67401		
DO NOT SCALE DRAWING		BUM	8/10/97	RELEASE TO PRODUCTION		02710	SCHEMATIC, AT/AL/ATC CAC A/C MAX				
MARK PART NUMBER AND REVISION ON ALL PARTS		REV.	BY	DATE	DESCRIPTION	ER NUMBER	MAT'L SPEC SEE B.O.M.				
THIS DRAWING IS THE PROPERTY OF ELDORADO NATIONAL COMPANY, A THOR INDUSTRIES COMPANY AND IS NOT TO BE DUPLICATED OR USED IN ANY WAY DETRIMENTAL TO THEIR BEST INTEREST.		TOLERANCE UNLESS SPECIFIED: FRACTIONS ± 1/16 DECIMALS .00 ± .04 ANGLES ± 1 DEG.		DRAWING INFORMATION DRAWN: MCGILLIAY DATE: 9/10/97 SCALE: 1=1		PART NUMBER 0024076		PAGE 1 of 3			






ITEM	QTY.	PART NO.	DESCRIPTION
1	12	68467	TERM, AMP 14-16 AWG RELAY CONN
2	8	68468	TERM, AMP 10-12 AWG RELAY CONN
3	2	61701	CONN, BUTT 8 AWG INS
4	2	61680	CONN, BUTT 10-12 AWG INS
5	13	62320	CONN, RING 14-16 AWG X #10 INS
6	9	62160	CONN, RING 10-12 AWG X #10 INS
7	1	62161	CONN, RING 10-12 AWG X 1/4" INS
8	1	68450	BLOCK, TERMINAL #4721-P12
9	8	112927	NUT, #10-32 KEP PLTD HEX
10	2	116960	SCREW, TEK #8 X 3/4" PH PHIL
11	2	0001305	WASHER, #8 EXT STAR
12	1	60920	BREAKER, 30A AUTORESET MOUNTABLE
13	7	116920	SCREW, TEK #8 X 1/2" PH PHIL
14	1	60927	BREAKER, 40A AUTORESET CROSSMNT
15	5	69860	CONN, AMP RELAY MODULE
16	5	68323	RELAY, SPDT WITH MOUNT
17	1	0000917	CONN, RING 8 AWG X #10 INS
18	1	63069	FUSE, 15A BLADE
19			
20			
21			
22			
23	35.00	69773	WIRE, 7-COND EM-3 EVAPD 35.00'
24	25.00	69771	WIRE, 3-COND AC COND 25.00'
25	1	124860	SWITCH, ROTARY 3-SPEED
26			
27	1	120427	SWITCH, THERMOSTAT
28	1	120428	KNOB, THERMOSTAT SWITCH
29	1	120425	CONN, SWITCH WITH HARNESS
30	4	129214	TERM, FEM PUSHON 14-16 AWG


NS  
NS

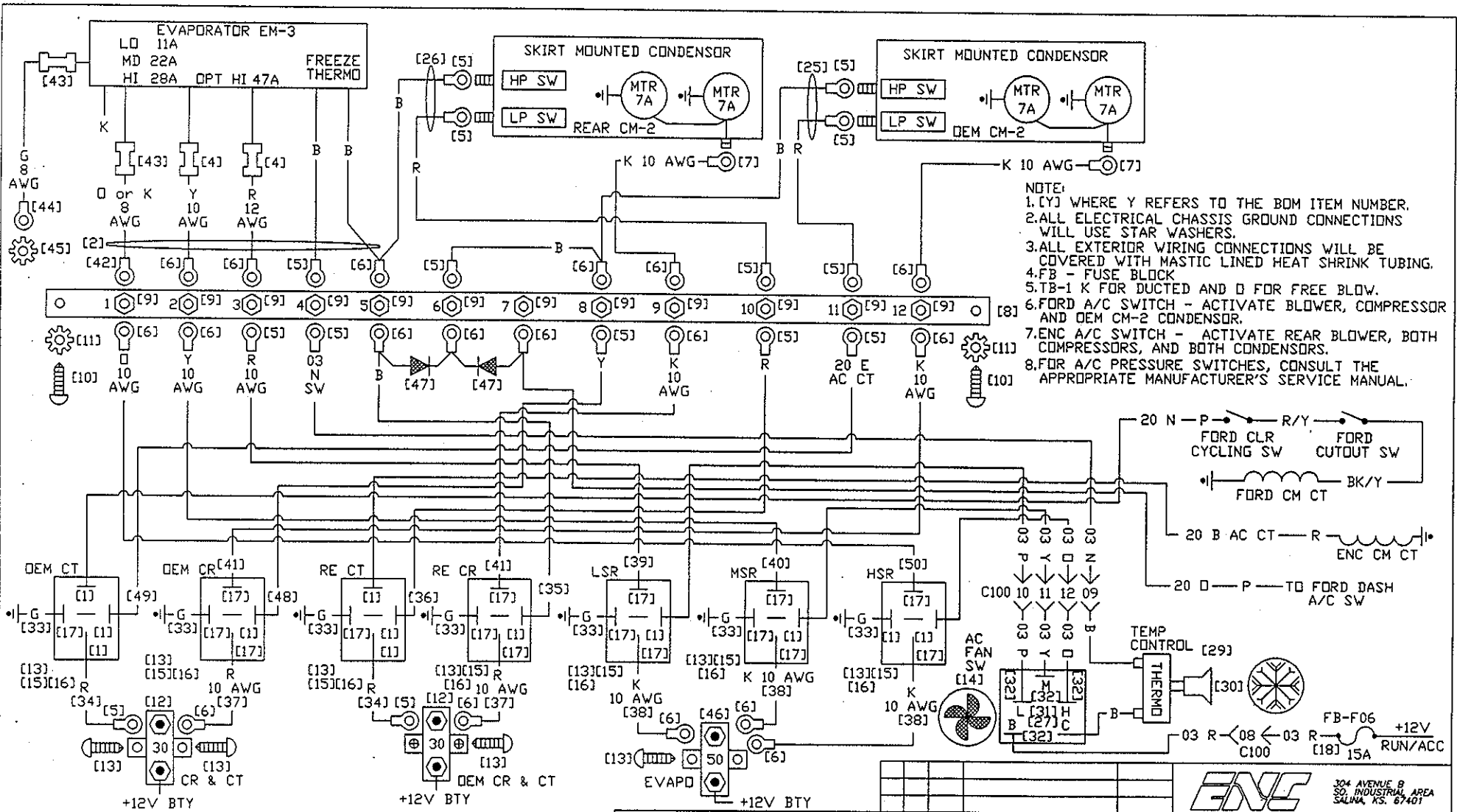
NOTE  
1. NS - NOT SHOWN ON THIS DRAWING

NEXT ASSY.: NONE		SUPERCEDES: 0019994, 0019003, 0021716 A		DWR 08/18/99	ADD ATC TO TITLE	03507	 304 AVENUE B 800 INDUSTRIAL AREA SALINA, KS 67401 EL Dorado NATIONAL CO. A THOR INDUSTRIES COMPANY	
DO NOT SCALE DRAWING		MARK PART NUMBER AND REVISION ON ALL PARTS		BJM 9/10/97	RELEASE TO PRODUCTION	02710		
THIS DRAWING IS THE PROPERTY OF EL DORADO NATIONAL COMPANY, A THOR INDUSTRIES COMPANY AND IS NOT TO BE DUPLICATED OR USED IN ANY WAY DETRIMENTAL TO THEIR BEST INTEREST.				REV.	BY	DATE	DESCRIPTION	ER NUMBER
TOLERANCE UNLESS SPECIFIED				DRAWING INFORMATION				MAT'L SPEC. SEE B.O.M.
FRACTIONS ± 1/16				DRAWN: MCOULLAN				CKD.
DECIMALS .00 ± .08				DATE: 9/10/97				SIZE: B
ANGLES ± 1 DEG.				SCALE: 1=1				WT:
							PART NUMBER	PAGE
							0024076	2 of 3

ITEM	QTY.	PART NO.	DESCRIPTION
31	5.00	69085	WIRE, GXL 14 AWG GREEN G 5 @ 12.00"
32	0.50	69065	WIRE, GXL 14 AWG RED R 1 @ 6.00"
33	1.00	69065	WIRE, GXL 14 AWG RED 20R 1 @ 12.00"
34	1.00	69055	WIRE, GXL 14 AWG BLUE B 1 @ 12.00"
35	0.50	69265	WIRE, GXL 10 AWG RED R 1 @ 6.00"
36	1.50	69250	WIRE, GXL 10 AWG BLACK K 3 @ 6.00"
37	1.00	69225	WIRE, GXL 10 AWG ORANGE O 1 @ 12.00"
38	1.00	69215	WIRE, GXL 10 AWG YELLOW Y 1 @ 12.00"
39	1	0000916	CONN, RING 8 AWG X 5/16" INS
40	1	119046	WASHER, 5/16" EXT STAR
41	1	120426	KNOB, ROTARY 3-SPEED SWITCH
42	1.00	69265	WIRE, GXL 10 AWG RED R 1 @ 12.00"
43			
44			

NOTE  
1. NS - NOT SHOWN ON THIS DRAWING

NEXT ASSY.: NONE								304 AVENUE B SO. INDUSTRIAL AREA SALINA, KS. 67401				
SUPERCEDES: 0019994, 0019003, 0021716 A				DWR 06/18/98		ADD A/C TO TITLE		03507		TITLE: SCHEMATIC, AT/AL/ATC CAC A/C MAX		
DO NOT SCALE DRAWING				BJM 9/10/97		RELEASE TO PRODUCTION		02710				
MARK PART NUMBER AND REVISION ON ALL PARTS				REV.	BY	DATE	DESCRIPTION	ER NUMBER	MATERIAL SPEC. SEE B.O.M.			
THIS DRAWING IS THE PROPERTY OF ELDORADO NATIONAL COMPANY, A THOR INDUSTRIES COMPANY AND IS NOT TO BE DUPLICATED OR USED IN ANY WAY DETRIMENTAL TO THEIR BEST INTEREST.				TOLERANCE UNLESS SPECIFIED			DRAWING INFORMATION			PART NUMBER		
				FRACTIONS ± 1/16			DRAWN: MCGUILLAN			CHKD.:		
				DECIMALS .00 ± .08			DATE: 9/10/97			SIZE: B		
ANGLES ± 1 DEG.			SCALE: 1=1			WT.:			0024076			
										PAGE 3 of 3		




- NOTE:
1. [Y] WHERE Y REFERS TO THE BOM ITEM NUMBER.
  2. ALL ELECTRICAL CHASSIS GROUND CONNECTIONS WILL USE STAR WASHERS.
  3. ALL EXTERIOR WIRING CONNECTIONS WILL BE COVERED WITH MASTIC LINED HEAT SHRINK TUBING.
  4. FB - FUSE BLOCK
  5. TB-1 K FOR DUCTED AND D FOR FREE BLOW.
  6. FORD A/C SWITCH - ACTIVATE BLOWER, COMPRESSOR AND DEM CM-2 CONDENSOR.
  7. ENC A/C SWITCH - ACTIVATE REAR BLOWER, BOTH COMPRESSORS, AND BOTH CONDENSORS.
  8. FOR A/C PRESSURE SWITCHES, CONSULT THE APPROPRIATE MANUFACTURER'S SERVICE MANUAL.

NEXT ASSY.: NONE		ELDORADO NATIONAL CO., A THOR INDUSTRIES COMPANY	
SUPERCEDES: 0020005		TITLE: SCHEMATIC, AT/AL CAC 862	
DO NOT SCALE DRAWING		REV. BY: BJA 8/10/97	RELEASE TO PRODUCTION: 02710
MARK PART NUMBER AND REVISION ON ALL PARTS		REV. BY: DATE	DESCRIPTION
THIS DRAWING IS THE PROPERTY OF ELDERADO NATIONAL COMPANY, A THOR INDUSTRIES COMPANY AND IS NOT TO BE DUPLICATED OR USED IN ANY WAY DETRIMENTAL TO THEIR BEST INTEREST.		TOLERANCE UNLESS SPECIFIED	DRAWING INFORMATION
		FRACTIONS ± 1/16	DRW: JAC/LLAN
		DECIMALS .00 ± .06	DATE: 9/10/97
		ANGLES ± 1 DEG.	SIZE: B
			SCALE: 1=1
			PART NUMBER: 0024077
			PAGE: 1 of 3




ITEM	QTY.	PART NO.	DESCRIPTION
1	12	68467	TERM, AMP 14-16 AWG RELAY CONN
2	35.00	69773	WIRE, 7-COND EM-3 35.00'
3			
4	2	61680	CONN, BUTT 10-12 AWG INS
5	15	62320	CONN, RING 14-16 AWG X #10 INS
6	18	62160	CONN, RING 10-12 AWG X #10 INS
7	2	62161	CONN, RING 10-12 AWG X 1/4" INS
8	1	68450	BLOCK, TERM 12-POS 1-ROW #10
9	12	112927	NUT, #10-32 KEP PLTD HEX
10	2	116960	SCREW, TEK #8 X 3/4" PH PHIL
11	2	0001305	WASHER, #8 EXT STAR
12	2	60920	BREAKER, 30A AUTORESET MOUNTABLE
13	11	116920	SCREW, TEK #8 X 1/2" PH PHIL
14	1	120426	KNOB, ROTARY 3-SPEED SWITCH
15	7	69860	CONN, AMP RELAY SOCKET
16	7	68323	RELAY, SPOT WITH MOUNT
17	16	68468	TERM, AMP 10-12 AWG RELAY CONN
18	1	63069	FUSE, 15A BLADE
19			
20			
21			
22			
23			
24			
25	25.00	69771	WIRE, 3-COND AC COND
26	22.00	69771	WIRE, 3-COND AC COND
27	1	124860	SWITCH, ROTARY 3-SPEED
28			
29	1	120427	SWITCH, THERMOSTAT
30	1	120428	SWITCH, KNOB THERMOSTAT

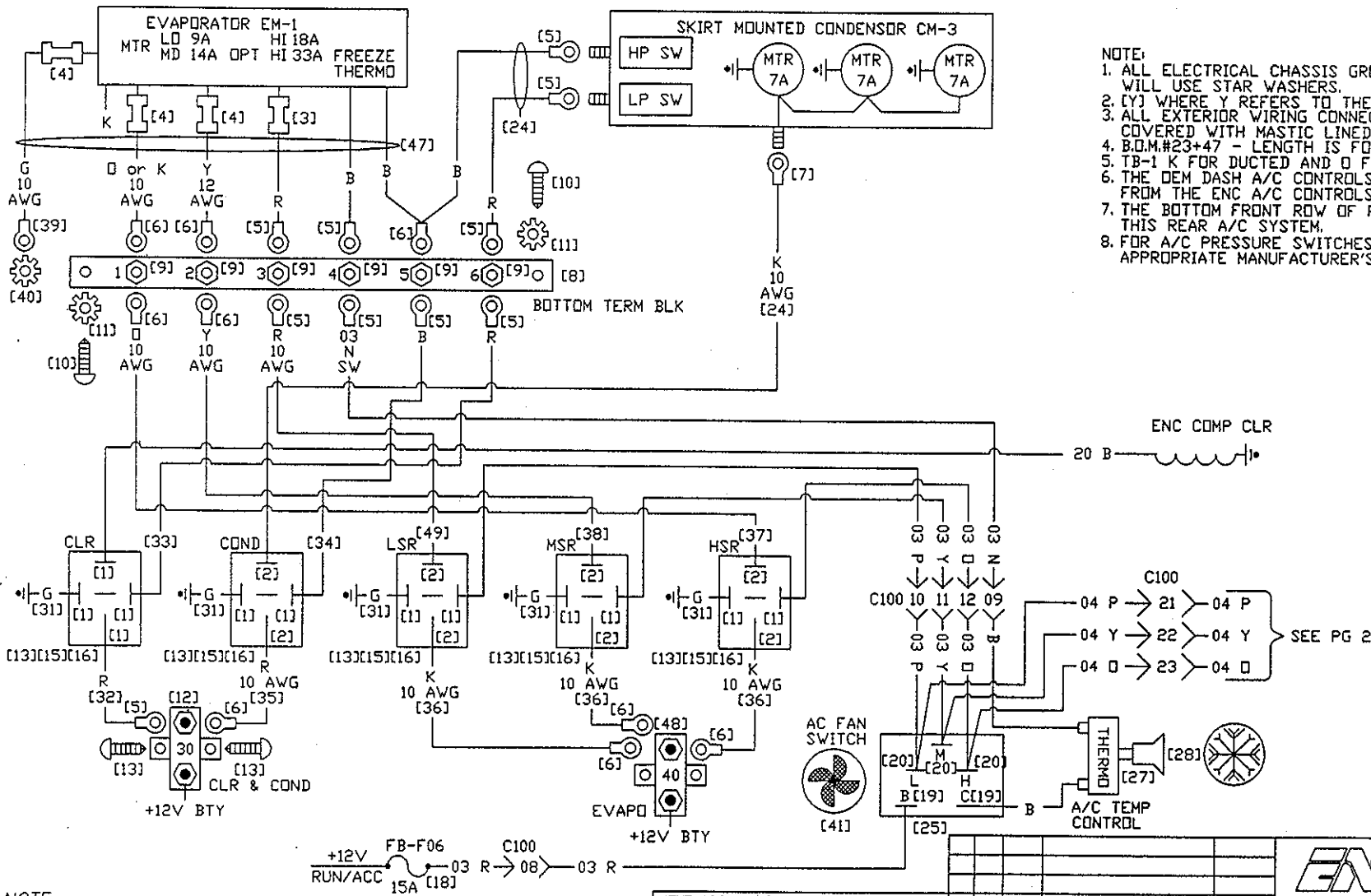
NEXT ASSY.: NONE				 304 AVENUE B 30 INDUSTRIAL AREA SALINA, KS. 67401		
SUPERCEDES: 0020005						
DO NOT SCALE DRAWING		- B/M	9/10/97	RELEASE TO PRODUCTION	02710	
MARK PART NUMBER AND REVISION ON ALL PARTS		REV.	BY	DATE	DESCRIPTION	ER NUMBER
THIS DRAWING IS THE PROPERTY OF EL Dorado NATIONAL COMPANY, A THOR INDUSTRIES COMPANY AND IS NOT TO BE DUPLICATED OR USED IN ANY WAY DETRIMENTAL TO THEIR BEST INTEREST.		TOLERANCE UNLESS SPECIFIED		DRAWING INFORMATION		
		FRACTIONS ± 1/16		DRAWN: JACQUILLAN		CKD:
		DECIMALS .00 ± .06		DATE: 9/10/97		SIZE: B
		ANGLES ± 1 DEG.		SCALE: 1=1		WT:
				EL Dorado NATIONAL CO. A THOR INDUSTRIES COMPANY TITLE: SCHEMATIC, AT/AL CAC 862		
				MAT'L SPEC. SEE B.O.M. PART NUMBER 0024077		
				PAGE 2 of 3		

NS

ITEM	QTY.	PART NO.	DESCRIPTION
31	1	120425	SWITCH, CONNECTOR WITH HARNESS
32	4	129214	TERM, FEM PUSHON 14-16 AWG BARE
33	7.00	69085	WIRE, GXL 14 AWG GREEN G 7 @ 12.00"
34	3.00	69065	WIRE, GXL 14 AWG RED R 2 @ 18.00"
35	1.00	69055	WIRE, GXL 14 AWG BLUE B 1 @ 12.00"
36	1.00	69065	WIRE, GXL 14 AWG RED R 1 @ 12.00"
37	2.00	69265	WIRE, GXL 10 AWG RED R 2 @ 12.00"
38	1.50	69250	WIRE, GXL 10 AWG BLACK K 3 @ 6.00"
39	1.00	69265	WIRE, GXL 10 AWG RED R 1 @ 12.00"
40	1.00	69215	WIRE, GXL 10 AWG YELLOW Y 1 @ 12.00"
41	2.00	69250	WIRE, GXL 10 AWG BLACK K 2 @ 12.00"
42	1	0000917	CONN, RING 8 AWG X #10 INS
43	2	61701	CONN, BUTT 8 AWG INS
44	1	0000916	CONN, RING 8 AWG X 5/16" INS
45	1	119046	WASHER, 5/16" EXT STAR
46	1	61160	BREAKER, 50A AUTORESET CIRCUIT
47	2	60800	DIODE, 6A RECTIFIER
48	1.00	69015	WIRE, GXL 14 AWG YELLOW 10Y 1 @ 12.00"
49	1.00	69035	WIRE, GXL 14 AWG GRAY 20E 1 @ 12.00"
50	1.00	69225	WIRE, GXL 10 AWG ORANGE.O 1 @ 12.00"

NOTE  
1. NS - NOT SHOWN ON THIS DRAWING

NEXT ASSY.: NONE				 304 AVENUE B 3D INDUSTRIAL AREA SALINA, KS. 67401	
SUPERCEDES: 0020005					
DO NOT SCALE DRAWING		REV. BY	DATE	DESCRIPTION	ER NUMBER
MARK PART NUMBER AND REVISION ON ALL PARTS		BJM	9/10/97	RELEASE TO PRODUCTION	02710
THIS DRAWING IS THE PROPERTY OF ELDORADO NATIONAL COMPANY, A THOR INDUSTRIES COMPANY AND IS NOT TO BE DUPLICATED OR USED IN ANY WAY DETRIMENTAL TO THEIR BEST INTEREST.		TOLERANCE UNLESS SPECIFIED		DRAWING INFORMATION	
		FRACTIONS ± 1/16 DECIMALS .00 ± .06 ANGLES ± 1 DEG.	DRAWN: MCGUILLAN DATE: 9/10/97 SCALE: 1=1	CKD.: SIZE: B WT.:	PART NUMBER 0024077
					ELDORADO NATIONAL CO. A THOR INDUSTRIES COMPANY TITLE: SCHEMATIC, AT/AL CAC 862
					PAGE 3 of 3



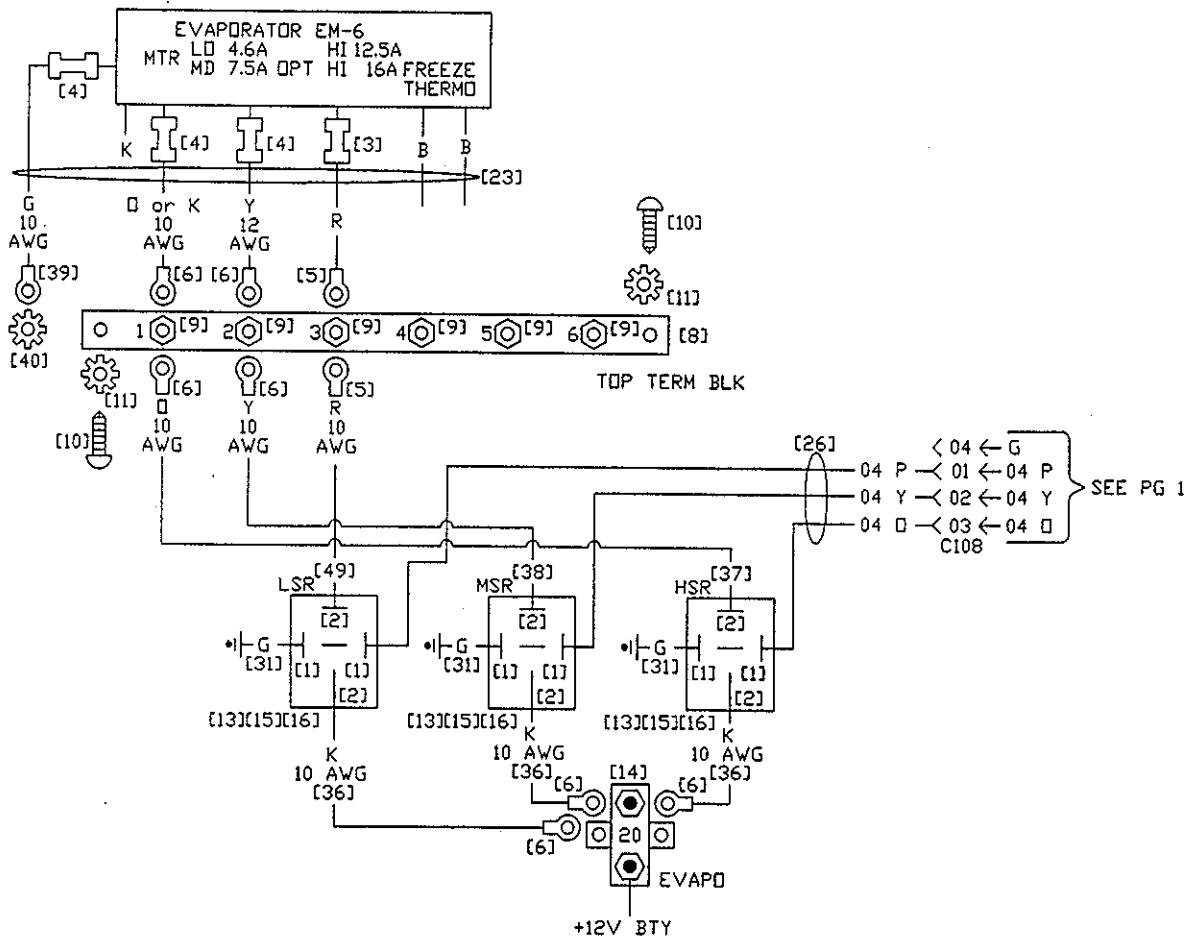
- NOTE:
1. ALL ELECTRICAL CHASSIS GROUND CONNECTIONS WILL USE STAR WASHERS.
  2. [Y] WHERE Y REFERS TO THE B.O.M. ITEM NUMBER.
  3. ALL EXTERIOR WIRING CONNECTIONS WILL BE COVERED WITH MASTIC LINED HEAT SHRINK TUBING.
  4. B.O.M.#23+47 - LENGTH IS FOR LONGEST BUS.
  5. TB-1 K FOR DUCTED AND O FOR FREE BLOW.
  6. THE DEM DASH A/C CONTROLS ARE SEPARATE FROM THE ENC A/C CONTROLS.
  7. THE BOTTOM FRONT ROW OF RELAYS ARE FOR THIS REAR A/C SYSTEM.
  8. FOR A/C PRESSURE SWITCHES, CONSULT THE APPROPRIATE MANUFACTURER'S SERVICE MANUAL.

- NOTE
1. [Y] WHERE Y REFERS TO THE B.O.M. ITEM NUMBER.
  2. ALL ELECTRICAL CHASSIS GROUND CONNECTIONS WILL USE STAR WASHERS.
  3. ALL EXTERIOR WIRING CONNECTIONS WILL BE COVERED WITH MASTIC LINED HEAT SHRINK TUBING.

NEXT ASSY.: NONE					
SUPERCEDES: NONE					
DO NOT SCALE DRAWING					
MARK PART NUMBER AND REVISION ON ALL PARTS					
THIS DRAWING IS THE PROPERTY OF ELDOURADO NATIONAL COMPANY, A THOR INDUSTRIES COMPANY AND IS NOT TO BE DUPLICATED OR USED IN ANY WAY DETRIMENTAL TO THEIR BEST INTEREST.		TOLERANCE UNLESS SPECIFIED		DRAWING INFORMATION	
		FRACTIONS ± 1/16		DRAWING OR LAYOUT NO.:	
		DECIMALS .00 ± .08		DATE: 3/19/88	
		ANGLES ± 1 DEG.		SCALE: 1" = 1"	
				PART NUMBER	
				0024565	
				PAGE	
				1 OF 4	

**ENC**  
 304 AVENUE B  
 501 INDUSTRIAL AREA  
 SALINA, KS. 67401  
 ELDOURADO NATIONAL CO. A THOR INDUSTRIES COMPANY


TITLE: SCHEMATIC, AT/AL/ATC CAC 7563  
 MAX A/C  
 MATL SPEC: SEE B.O.M.  
 PART NUMBER: 0024565



- NOTE:
1. ALL ELECTRICAL CHASSIS GROUND CONNECTIONS WILL USE STAR WASHERS.
  2. [Y] WHERE Y REFERS TO THE B.O.M. ITEM NUMBER.
  3. ALL EXTERIOR WIRING CONNECTIONS WILL BE COVERED WITH MASTIC LINED HEAT SHRINK TUBING.
  4. B.O.M.#23+47 - LENGTH IS FOR LONGEST BUS.
  5. TB-1 K FOR DUCTED AND O FOR FREE BLOW.
  6. THE OEM DASH AC CONTROLS ARE SEPARATE FROM THE ENC AC CONTROLS.
  7. USE HEATER #2 WIRES FOR FRONT A/C SYSTEM.
  8. THE MID-FRONT ROW OF RELAYS ARE FOR THIS FRONT A/C SYSTEM.
  9. FOR A/C PRESSURE SWITCHES, CONSULT THE APPROPRIATE MANUFACTURER'S SERVICE MANUAL.

NOTE

1. [Y] WHERE Y REFERS TO THE B.O.M. ITEM NUMBER.
2. ALL ELECTRICAL CHASSIS GROUND CONNECTIONS WILL USE STAR WASHERS.
3. ALL EXTERIOR WIRING CONNECTIONS WILL BE COVERED WITH MASTIC LINED HEAT SHRINK TUBING.

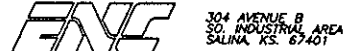
NEXT ASSY.: NONE					
SUPERCEDES: NONE					
A	DWR	06/10/98	DEL 1 FAN SPD SW	03491	TITLE:
-	BJM	3/19/98	RELEASE TO PRODUCTION	03267	SCHMATIC, AT/AL/ATC CAC 7563
MARK PART NUMBER AND REVISION ON ALL PARTS			REV. BY DATE	DESCRIPTION	ER NUMBER
THIS DRAWING IS THE PROPERTY OF EL Dorado NATIONAL COMPANY, A THOR INDUSTRIES COMPANY AND IS NOT TO BE DUPLICATED OR USED IN ANY WAY DETRIMENTAL TO THEIR BEST INTEREST.			TOLERANCE UNLESS SPECIFIED		DRAWING INFORMATION
			FRACTIONS ± 1/16	DECIMALS .00 ± .08	ANGLES ± 1 DEG.
			SCALE: 1=1	WT:	
					
				304 AVENUE B SO. INDUSTRIAL AREA SALINA, KS. 67401	
				EL DORADO NATIONAL CO. A THOR INDUSTRIES COMPANY	
				MAT'L SPEC. SEE B.O.M.	
				PART NUMBER 0024565	
				PAGE 2 of 4	

ITEM	QTY.	PART NO.	DESCRIPTION
1	18	68467	TERM, AMP 14-16 AWG RELAY CONN
2	14	68468	TERM, AMP 10-12 AWG RELAY CONN
3	2	61800	CONN, BUTT 14-16 AWG INS
4	6	61680	CONN, BUTT 10-12 AWG INS
5	10	62320	CONN, RING 14-16 AWG X #10 INS
6	16	62160	CONN, RING 10-12 AWG X #10 INS
7	1	62161	CONN, RING 10-12 AWG X 1/4" INS
8	2	68451	BLOCK, 6-POS 1-ROW #10 TERMINAL
9	12	112927	NUT, #10-32 KEP PLTD HEX
10	4	116960	SCREW, TEK #8 X 3/4" PH PHIL
11	4	0001305	WASHER, #8 EXT STAR
12	1	60920	BREAKER, 30A AUTORESET MOUNTABLE
13	10	116920	SCREW, TEK #8 X 1/2" PH PHIL
14	1	0000612	BREAKER, 20A AUTORESET MOUNTABLE
15	8	69860	CONN, AMP RELAY SOCKET
16	8	68323	RELAY, SPDT WITH MOUNT
17			
18	1	63069	FUSE, 15A BLADE
19	2	62041	CONN, FEM PUSHON 14-16 AWG ENC
20	3	62042	CONN, FEM PUSHON 10-12 AWG ENC
21			
22			
23	20.00	69772	WIRE, 7-COND AC#1 EVAPO 1 @ 240.00"
24			
25	1	124860	SWITCH, ROTARY 3-SPEED
26	1	0016960	HARNES, HTR EXT.
27	1	120427	SWITCH, THERMOSTAT
28	1	120428	KNOB, THERMOSTAT SWITCH
29			
30			
31	8.00	69085	WIRE, GXL 14 AWG GREEN G 8 @ 12.00"
32	.50	69065	WIRE, GXL 14 AWG RED R 1 @ 6.00"

A  
 A  
 A  
 A  
 A  
 A  
 A  
 A  
 A  
 A  
 A

NOTE  
1. NS - NOT SHOWN ON THIS DRAWING

NEXT ASSY.: NONE					
SUPERCEDES: NONE		A	DWR	08/10/98	DEL 1 FAX SPD SW
DO NOT SCALE DRAWING		-	BUM	3/19/98	RELEASE TO PRODUCTION
MARK PART NUMBER AND REVISION ON ALL PARTS		REV.	BY	DATE	DESCRIPTION
THIS DRAWING IS THE PROPERTY OF ELDOORADO NATIONAL COMPANY, A THOR INDUSTRIES COMPANY AND IS NOT TO BE DUPLICATED OR USED IN ANY WAY DETRIMENTAL TO THEIR BEST INTEREST.		TOLERANCE UNLESS SPECIFIED		DRAWING INFORMATION	
		FRACTIONS ± 1/16		DRAWN: COULLAN	
		DECIMALS .00 ± .08		DATE: 3/19/98	
		ANGLES ± 1 DEG.		SCALE: 1=1	
				PART NUMBER	
				SEE B.O.M.	
				0024565	
				PAGE	
				3 of 4	



ELDOORADO NATIONAL CO. A THOR INDUSTRIES COMPANY  
 TITLE: SCHEMATIC, AT/AL/ATC CAC 7563  
 MAX A/C  
 MATL SPEC.  
 PART NUMBER  
 SEE B.O.M.  
 0024565

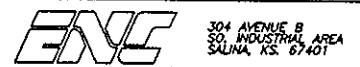


ITEM	QTY.	PART NO.	DESCRIPTION
33	1.00	69065	WIRE, GXL 14 AWG RED R 1 @ 12.00"
34	1.00	69055	WIRE, GXL 14 AWG BLUE B 1 @ 12.00"
35	.50	69265	WIRE, GXL 10 AWG RED R 1 @ 6.00"
36	3.00	69250	WIRE, GXL 10 AWG BLACK K 6 @ 6.00"
37	2.00	69225	WIRE, GXL 10 AWG ORANGE O 2 @ 12.00"
38	2.00	69215	WIRE, GXL 10 AWG YELLOW Y 2 @ 12.00"
39	2	62282	CONN, RING 10-12 AWG X 5/16"
40	2	119046	WASHER, 5/16" EXT STAR
41	1	120426	KNOB, ROTARY 3-SPEED SWITCH
42			
43			
44			
45			
46			
47	35.00	69773	WIRE, 7-COND EM-3 EVAPO
48	1	60927	BREAKER, 40A AUTORESET CROSSMNT
49	2.00	69265	WIRE, GXL 10 AWG RED R 2 @ 12.00"
50			

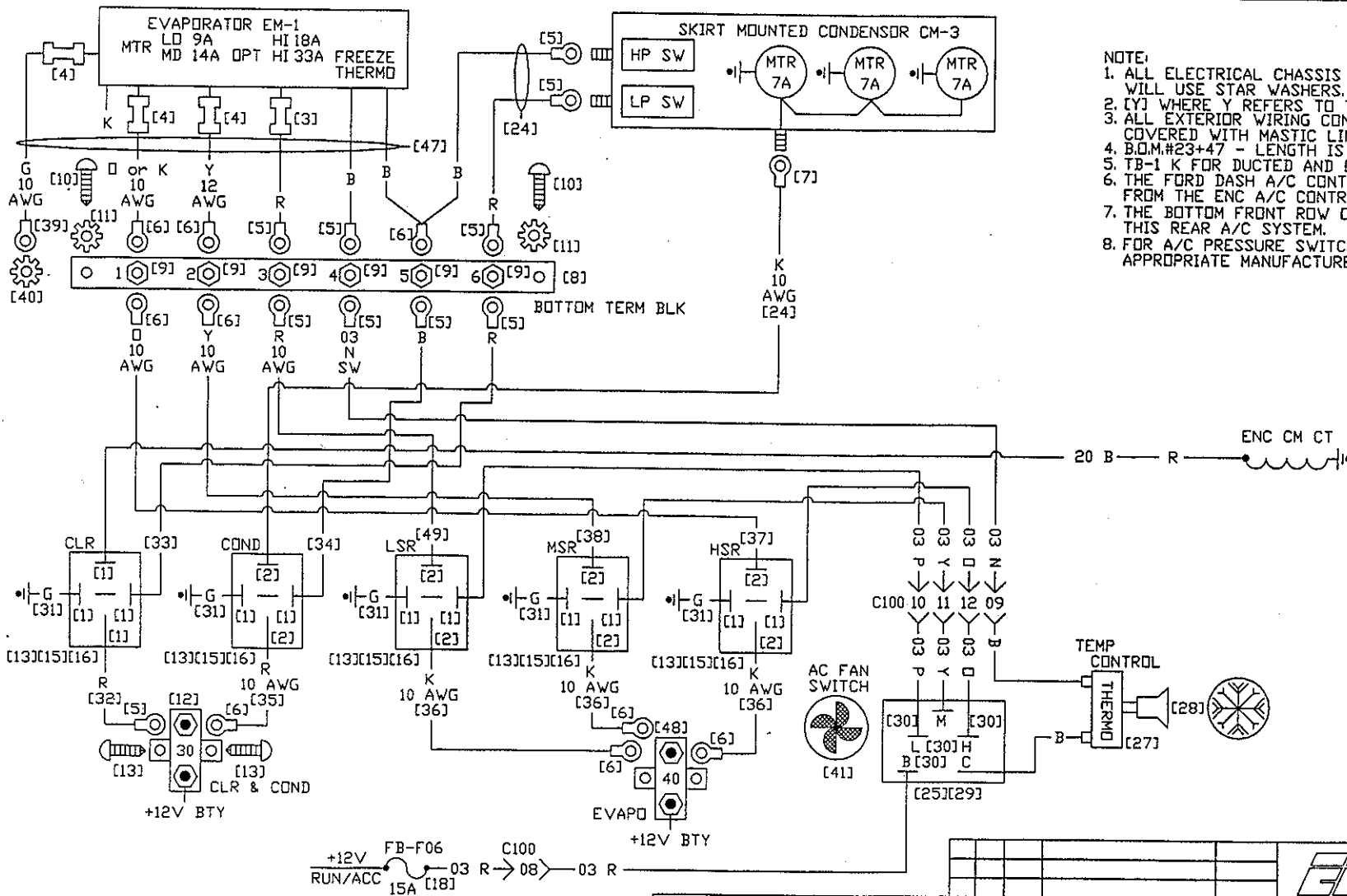
△

NOTE  
1. NS - NOT SHOWN ON THIS DRAWING

NEXT ASSY.: NONE									
SUPERCEDES: NONE		A DWR 06/19/96 DEL 1 FAN SPD SW		03491		TITLE:		SCHEMATIC, AT/AL/ATC CAC 7563	
DO NOT SCALE DRAWING		- BJM 3/13/98 RELEASE TO PRODUCTION		03267		MAX A/C			
MARK PART NUMBER AND REVISION ON ALL PARTS		REV.	BY	DATE	DESCRIPTION	REV. NUMBER	MATERIAL SPEC. SEE B.O.M.		
THIS DRAWING IS THE PROPERTY OF ELDERADO NATIONAL COMPANY, A THOR INDUSTRIES COMPANY AND IS NOT TO BE DUPLICATED OR USED IN ANY WAY DETRIMENTAL TO THEIR BEST INTEREST.		TOLERANCE UNLESS SPECIFIED			DRAWING INFORMATION				
		FRACTIONS ± 1/16			DRAWN BY GULLAV		CHKD.		
		DECIMALS .00 ± .06			DATE 3/13/98		SIZE B		
		ANGLES ± 1 DEG.			SCALE 1=1		WT.		
						PART NUMBER		PAGE	
						0024565		4 of 4	

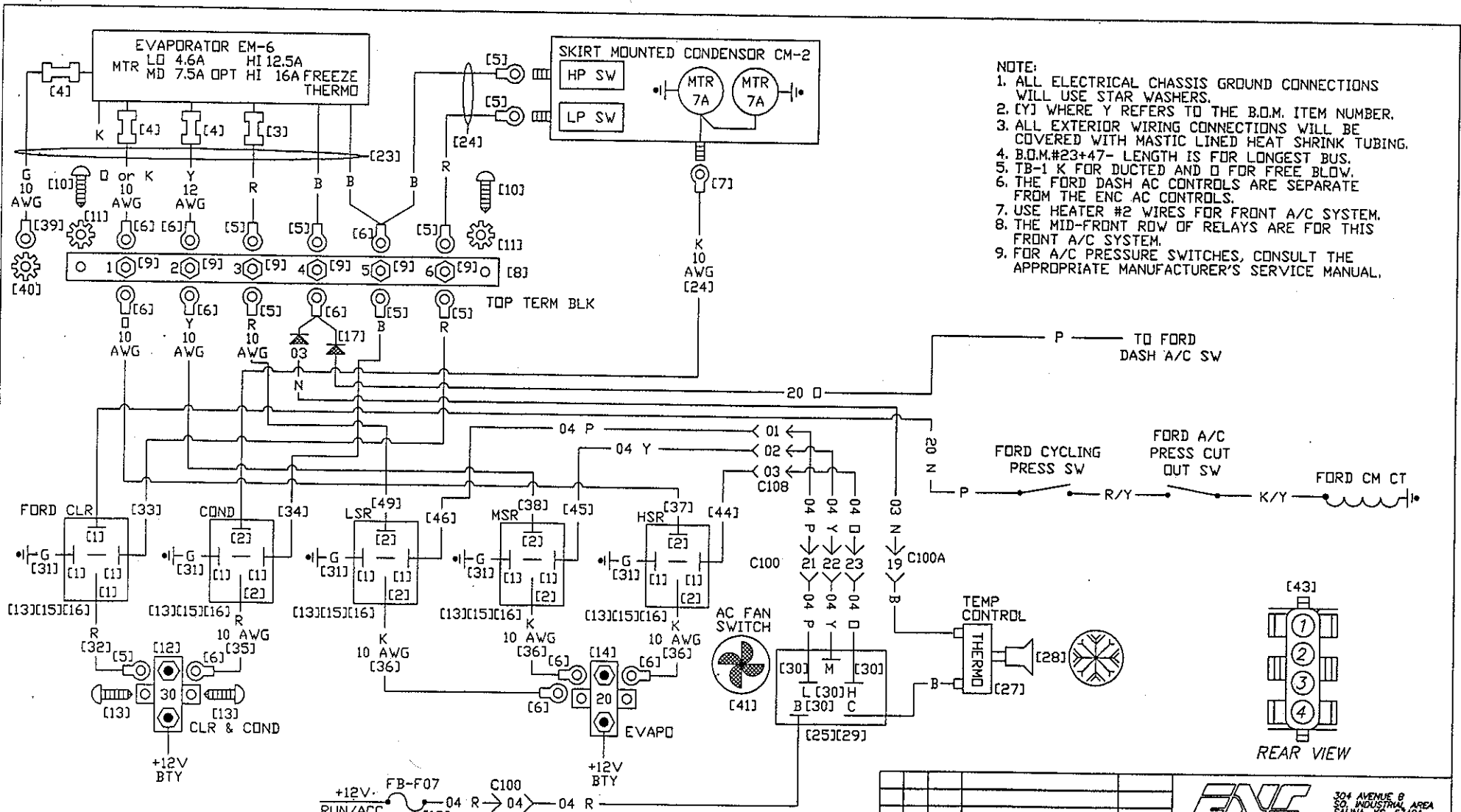


ELDERADO NATIONAL CO. A THOR INDUSTRIES COMPANY



- NOTE:
1. ALL ELECTRICAL CHASSIS GROUND CONNECTIONS WILL USE STAR WASHERS.
  2. [Y] WHERE Y REFERS TO THE B.O.M. ITEM NUMBER.
  3. ALL EXTERIOR WIRING CONNECTIONS WILL BE COVERED WITH MASTIC LINED HEAT SHRINK TUBING.
  4. B.O.M.#23+47 - LENGTH IS FOR LONGEST BUS.
  5. TB-1 K FOR DUCTED AND O FOR FREE BLOW.
  6. THE FORD DASH A/C CONTROLS ARE SEPARATE FROM THE ENC A/C CONTROLS.
  7. THE BOTTOM FRONT ROW OF RELAYS ARE FOR THIS REAR A/C SYSTEM.
  8. FOR A/C PRESSURE SWITCHES, CONSULT THE APPROPRIATE MANUFACTURER'S SERVICE MANUAL.

NEXT ASSY.: NONE						ENC		304 AVENUE B SO. INDUSTRIAL AREA SALINA, KS. 67401	
SUPERCEDES: NONE		A BUN 3/18/96		ADDED ITEM 735		03267		ELDORADO NATIONAL CO. A THOR INDUSTRIES COMPANY	
DO NOT SCALE DRAWING		- BUN 9/11/97		RELEASE TO PRODUCTION		02710		TITLE: SCHEMATIC, AT/AL CAC 9623	
MARK PART NUMBER AND REVISION ON ALL PARTS		REV. BY DATE		DESCRIPTION		ER NUMBER		MATERIAL SPEC. SEE B.O.M.	
THIS DRAWING IS THE PROPERTY OF ELDORADO NATIONAL COMPANY, A THOR INDUSTRIES COMPANY AND IS NOT TO BE DUPLICATED OR USED IN ANY WAY DETRIMENTAL TO THEIR BEST INTEREST.		TOLERANCE UNLESS SPECIFIED		DRAWING INFORMATION		PART NUMBER		PAGE	
		FRACTIONS ± 1/16		DRAWING COURTESY CRO.		0024078		1 of 4	
		DECIMALS .00 ± .00		DATE: 9/11/97		SIZE: B			
		ANGLES ± 1 DEG.		SCALE: 1=		WT:			



- NOTE:
1. ALL ELECTRICAL CHASSIS GROUND CONNECTIONS WILL USE STAR WASHERS.
  2. [Y] WHERE Y REFERS TO THE B.O.M. ITEM NUMBER.
  3. ALL EXTERIOR WIRING CONNECTIONS WILL BE COVERED WITH MASTIC LINED HEAT SHRINK TUBING.
  4. B.O.M.#23+47- LENGTH IS FOR LONGEST BUS.
  5. TB-1 K FOR DUCTED AND O FOR FREE BLOW.
  6. THE FORD DASH AC CONTROLS ARE SEPARATE FROM THE ENC AC CONTROLS.
  7. USE HEATER #2 WIRES FOR FRONT A/C SYSTEM.
  8. THE MID-FRONT ROW OF RELAYS ARE FOR THIS FRONT A/C SYSTEM.
  9. FOR A/C PRESSURE SWITCHES, CONSULT THE APPROPRIATE MANUFACTURER'S SERVICE MANUAL.

NEXT ASSY.: NONE					
SUPERCEDES: NONE					
DO NOT SCALE DRAWING					
MARK PART NUMBER AND REVISION ON ALL PARTS					
THIS DRAWING IS THE PROPERTY OF ELDOORADO NATIONAL COMPANY, A THOR INDUSTRIES COMPANY AND IS NOT TO BE DUPLICATED OR USED IN ANY WAY DETRIMENTAL TO THEIR BEST INTEREST.		TOLERANCE UNLESS SPECIFIED		DRAWING INFORMATION	
		FRACTIONS ± 1/16		DRAWN: GOURLAIN CND.	
		DECIMALS .00 ± .08		DATE: 9/11/97	
		ANGLES ± 1 DEG.		SCALE: 1=1	
				MATERIAL SPEC. SEE B.O.M.	
				PART NUMBER	
				0024078	
				PAGE	
				2 of 4	


**ENC** 304 AVENUE B  
SO. INDUSTRIAL AREA  
SALINA, KS. 67401

ELDOORADO NATIONAL CO. A THOR INDUSTRIES COMPANY  
TITLE:  
SCHEMATIC, AT/AL CAC 9623

REV. BY DATE DESCRIPTION ER NUMBER  
A BJM 3/19/96 ADDED ITEM #35 03267  
- BJM 9/11/97 RELEASE TO PRODUCTION 02710

ITEM	QTY.	PART NO.	DESCRIPTION
1	24	68467	TERM, AMP 14-16 AWG RELAY CONN
2	16	68468	TERM, AMP 10-12 AWG RELAY CONN
3	2	61800	CONN, BUTT 14-16 AWG INS
4	6	61680	CONN, BUTT 10-12 AWG INS
5	19	62320	CONN, RING 14-16 AWG X #10 INS
6	19	62160	CONN, RING 10-12 AWG X #10 INS
7	2	62161	CONN, RING 10-12 AWG X 1/4" INS
8	2	68451	BLOCK, 6-POS 1-ROW #10 TERMINAL
9	12	112927	NUT, #10-32 KEP PLTD HEX
10	4	116960	SCREW, TEK #8 X 3/4" PH PHIL
11	4	0001305	WASHER, #8 EXT STAR
12	2	60920	BREAKER, 30A AUTORESET MOUNTABLE
13	14	116920	SCREW, TEK #8 X 1/2" PH PHIL
14	1	0000612	BREAKER, 20A AUTORESET MOUNTABLE
15	10	69860	CONN, AMP RELAY SOCKET
16	10	68323	RELAY, SPDT WITH MOUNT
17	2	60800	DIODE, 6A RECTIFIER
18	2	63069	FUSE, 15A BLADE
19			
20			
21			
22			
23	20.00	69772	WIRE, 7-COND AC #1 EVAPO 1 @ 20.00'
24	50.00	69771	WIRE, 3-COND AC COND 2 @ 25.00'
25	2	124860	SWITCH, ROTARY 3-SPEED
26			
27	2	120427	SWITCH, THERMOSTAT
28	2	120428	KNOB, THERMOSTAT SWITCH
29	2	120425	SWITCH, CONNECTOR WITH HARNESS
30	8	129214	TERM, FEM PUSHON 14-16 AWG
31	10.00	69085	WIRE, GXL 14 AWG GREEN G 10 @ 12.00"
32	1.00	69065	WIRE, GXL 14 AWG RED R 2 @ 6.00"

NOTE  
1. NS - NOT SHOWN ON THIS DRAWING


NEXT ASSY.: NONE						 304 AVENUE B SO. INDUSTRIAL AREA SALINA, KS. 67401		
SUPERCEDES: NONE		A		BUN 3/19/76				ELDORADO NATIONAL CO. A THOR INDUSTRIES COMPANY
DO NOT SCALE DRAWING		-		BUN 9/11/97		TITLE: SCHEMATIC, AT/AL CAC 9623 03267 02710		
MARK PART NUMBER AND REVISION ON ALL PARTS		REV.	BY	DATE	DESCRIPTION	ER NUMBER		
THIS DRAWING IS THE PROPERTY OF ELDERADO NATIONAL COMPANY, A THOR INDUSTRIES COMPANY AND IS NOT TO BE DUPLICATED OR USED IN ANY WAY DETRIMENTAL TO THEIR BEST INTEREST.		TOLERANCE UNLESS SPECIFIED			DRAWING INFORMATION			
		FRACTIONS ± 1/16			DATE: 9/11/97	CHKD:	PART NUMBER	
		DECIMALS .00 ± .00			SCALE: 1=1	SIZE: B	0024078	
ANGLES ± 1 DEG.				WT:			PAGE 3 of 4	

ITEM	QTY.	PART NO.	DESCRIPTION
33	2.00	69065	WIRE, GXL 14 AWG RED R 2 @ 12.00"
34	2.00	69055	WIRE, GXL 14 AWG BLUE B 2 @ 12.00"
35	1.00	69265	WIRE, GXL 10 AWG RED R 1 @ 12.00"
36	3.00	69250	WIRE, GXL 10 AWG BLACK K 6 @ 6.00"
37	2.00	69225	WIRE, GXL 10 AWG ORANGE O 2 @ 12.00"
38	2.00	69215	WIRE, GXL 10 AWG YELLOW Y 2 @ 12.00"
39	2	62282	CONN, RING 10-12 AWG X 5/16"
40	2	119046	WASHER, 5/16" EXT STAR
41	2	120426	KNOB, ROTARY 3-SPEED SWITCH
42	3	62764	PIN, 14-18 AWG REEL
43	1	62777	CAP, 4-CIRCUIT
44	3.50	69025	WIRE, GXL 14 AWG ORANGE 040 1 @ 42.00"
45	3.50	69015	WIRE, GXL 14 AWG YELLOW 04Y 1 @ 42.00"
46	3.50	69075	WIRE, GXL 14 AWG PURPLE 04P 1 @ 42.00"
47	35.00	69773	WIRE, 7-COND EM-3 EVAPO
48	1	60927	BREAKER, 40A AUTORESET CROSSMNT
49	2.00	69265	WIRE, GXL 10 AWG RED R 2 @ 12.00"
50			

△

NS

NOTE  
1. NS - NOT SHOWN ON THIS DRAWING

NEXT ASSY.: NONE								304 AVENUE B SO. INDUSTRIAL AREA SALINA, KS. 67401	
SUPERCEDES: NONE		A BJM 3/19/98		ADDED ITEM #35		03267		ELDORADO NATIONAL CO. A THOR INDUSTRIES COMPANY TITLE:	
DO NOT SCALE DRAWING		- BJM 9/11/97		RELEASE TO PRODUCTION		02710		SCHEMATIC, AT/AL CAC 962J	
MARK PART NUMBER AND REVISION ON ALL PARTS		REV.	BY	DATE	DESCRIPTION	ER NUMBER	MATERIAL SPEC.		
THIS DRAWING IS THE PROPERTY OF ELDORADO NATIONAL COMPANY, A THOR INDUSTRIES COMPANY AND IS NOT TO BE DUPLICATED OR USED IN ANY WAY DETRIMENTAL TO THEIR BEST INTEREST.		TOLERANCE UNLESS SPECIFIED			DRAWING INFORMATION			SEE B.O.M.	
		FRACTIONS ± 1/16			DRAWN: MECULLAN			PART NUMBER	
		DECIMALS .00 ± .08			DATE: 9/17/97			0024078	
ANGLES ± 1 DEG.			SCALE: 1=1			PAGE			
						4 of 4			