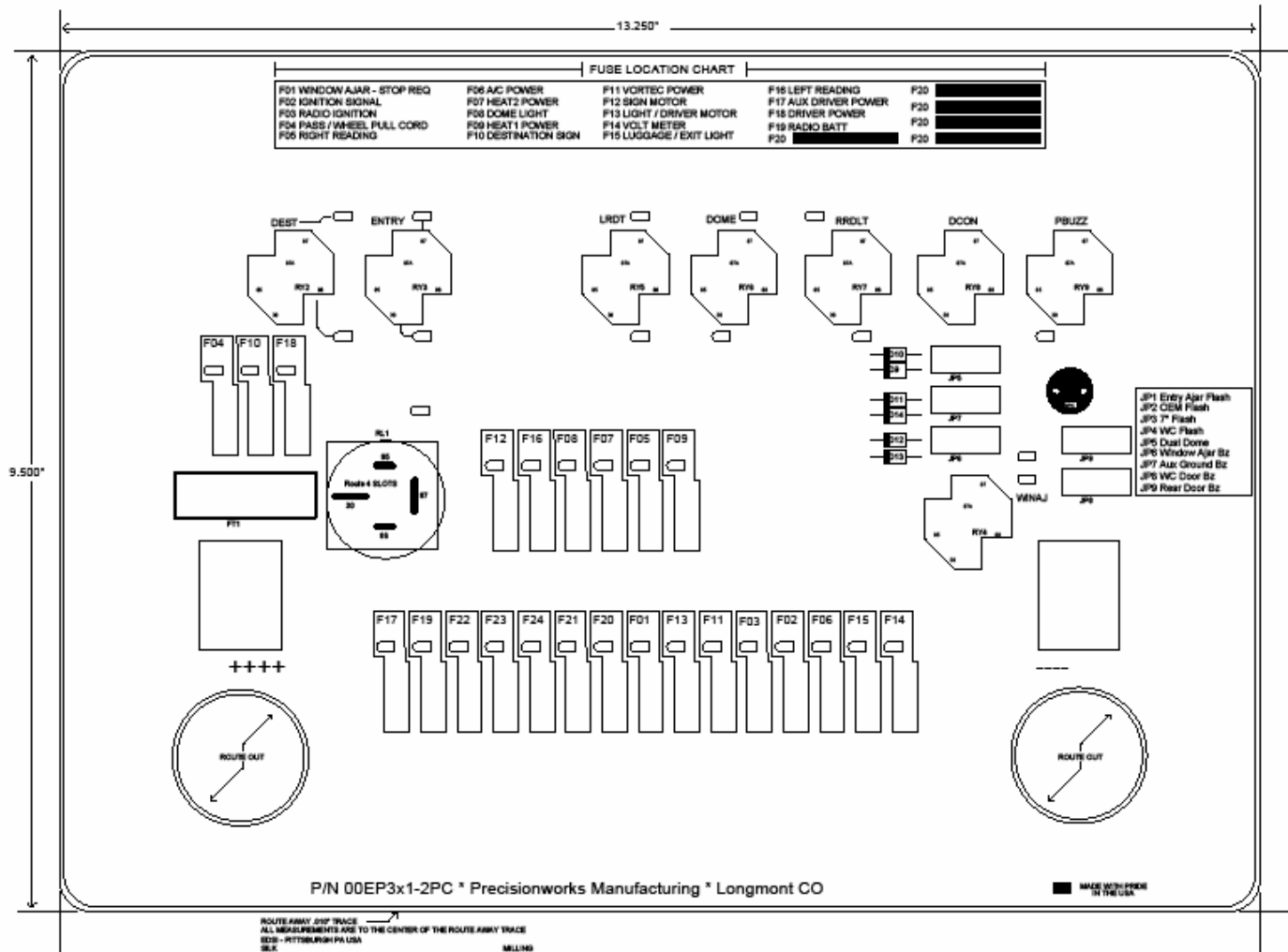


EP3 Troubleshooting Guide



Index

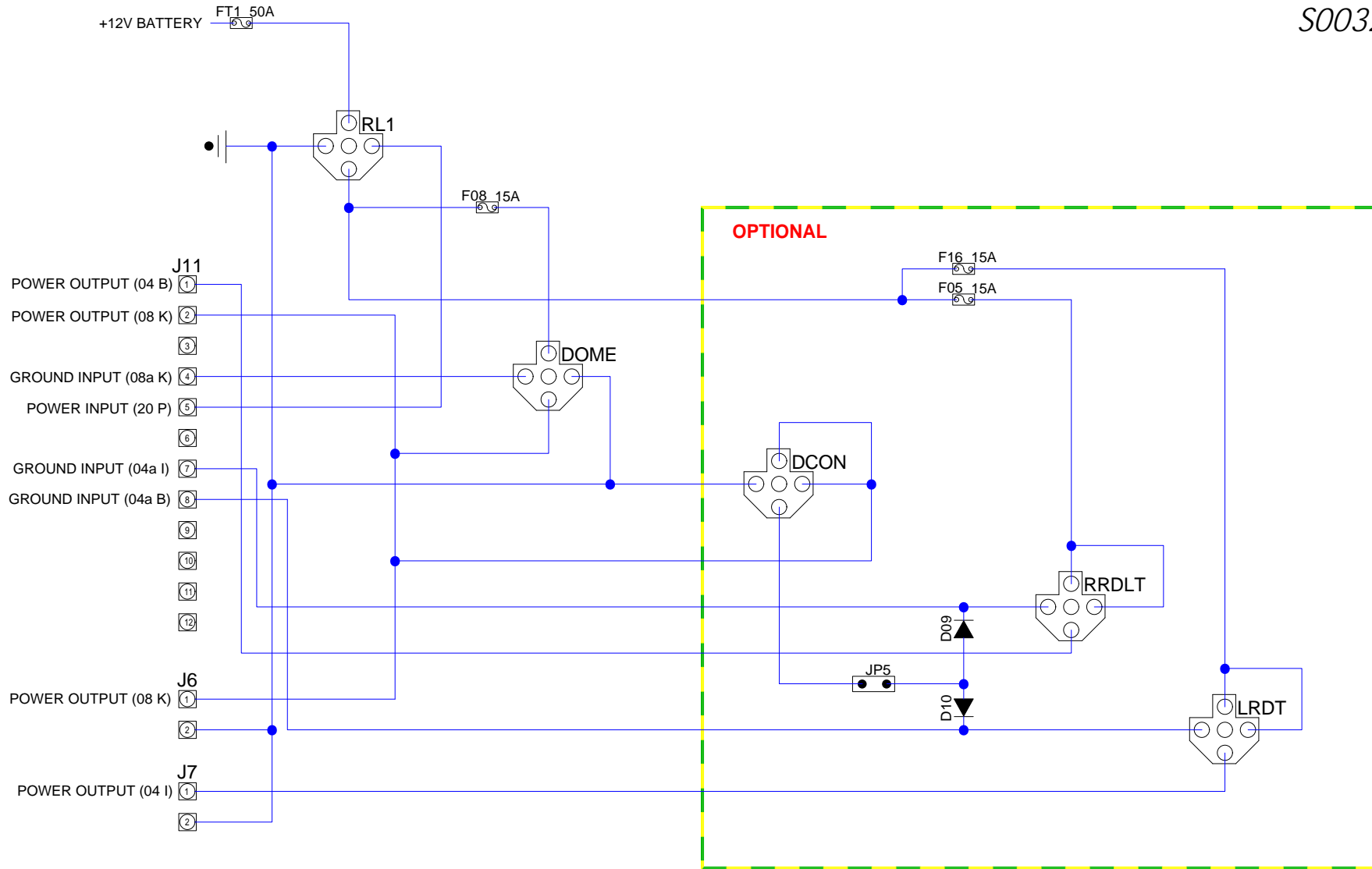
Circuit	Page
Dome Lights	4
Reading Lights	6
Destination Sign	8
Heater Add-on Card	10
Entry Door Interlock	12
Window Ajar	14
Power Distribution	16
Flasher Add-on Card	18
Stop Request Add-on Card	20
Buzzer	22
Fuse Legend	24
LED Indicators	25

Dome Light Circuit

- Requires ground input on J11 pin 4 (08a K)
- Requires power input on J11 pin 5 (20 P)
- Enables power output on J11 pin 2 & J6 pin 1.

- Special options include dome light relay that controls left reading light and right reading light relays. This function is for large load fluorescent lights that exceed the normal 15 amp function but still allows entry door open to enable the interior lights. When Jumper is placed in J5 then you can have separate switches in dash for extra lights controlled by the entry door or split load for curb or road side lights controlled by the entry door.

- If special option for extra lights are used then input on J11 pin 7 and/or pin 8 will activate the outputs on J11 pin 1 and J7 pin 1.
- If special option for fluorescent lights is used then normal entry door open signal will operate J11 pin 1 and J7 pin 1.



OPTIONAL

Eldorado National
 a THOR company
 1655B WALL STREET
 SALINA, KS 67401

NEXT ASSEMBLY:	DRAWING INFORMATION							
SUPERCEDES:	DRAWN:	CKD:	JOH					
DO NOT SCALE DRAWING	DATE:	SIZE:	A					
MARK PART NUMBER AND REVISION ON ALL PARTS	SCALE:	WGT:	NTS					
THIS DRAWING IS THE PROPERTY OF ELDORADO NATIONAL COMPANY, A THOR INDUSTRIES COMPANY AND IS NOT TO BE DUPLICATED OR USED IN ANY WAY DETRIMENTAL TO THEIR BEST INTEREST. REV. 01/04	TOLERANCE UNLESS SPECIFIED							
	FRACTIONAL:	± 1/16	-	JWW		RELEASED TO PRODUCTION		
	DECIMALS:	0.00 ± 0.06						
	ANGULAR:	+ 1 DEG.		REV.	BY	DATE	DESCRIPTION	RELEASE #

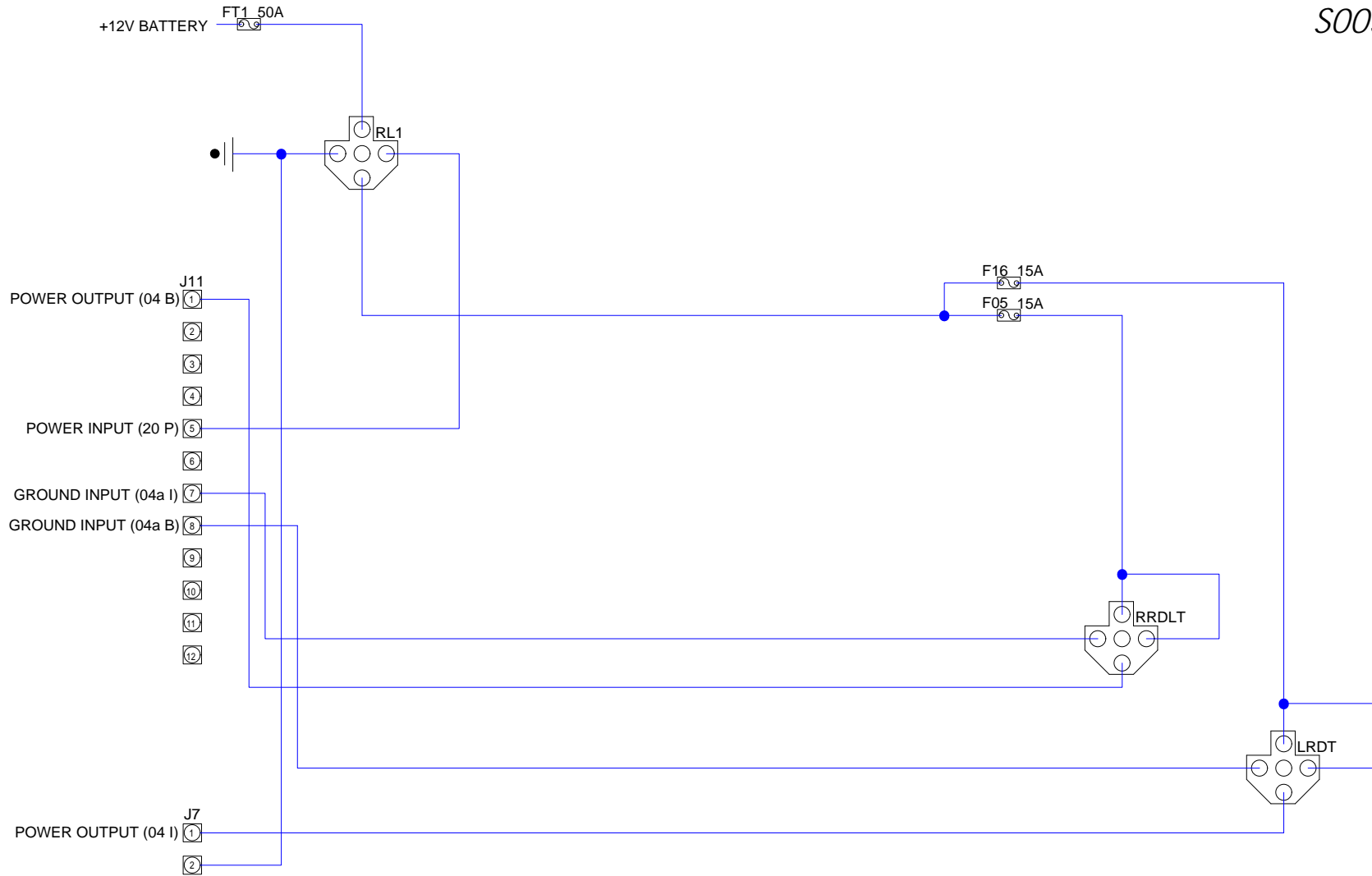
TITLE:	DOME LIGHT SCHEMATIC, EP3	
MATERIAL SPEC:		
PART NUMBER:	S0032192-DOME	PAGE:
		1 OF 1

Reading Lights Circuit

- Requires power input on J11 pin 5 (20 P).
- Requires ground input on J11 pin 7 (04a I) for road side.
- Will activate power output on J11 pin 1 (04 I).


- Requires power input on J11 pin 5 (20 P).
- Requires ground input on J11 pin 8 (04a B) for curb side.
- Will activate power output on J7 pin 1 (04 B).

- Special option inputs (see “Dome Light Circuit” for details).



NEXT ASSEMBLY:	DRAWING INFORMATION							
SUPERCEDES:	DRAWN:	CKD:	JOH					
DO NOT SCALE DRAWING	DATE:	SIZE:	A					
MARK PART NUMBER AND REVISION ON ALL PARTS	SCALE:	NTS	WGT:					
THIS DRAWING IS THE PROPERTY OF ELDORADO NATIONAL COMPANY, A THOR INDUSTRIES COMPANY AND IS NOT TO BE DUPLICATED OR USED IN ANY WAY DETRIMENTAL TO THEIR BEST INTEREST. REV. 01/04	TOLERANCE UNLESS SPECIFIED							
	FRACTIONAL:	± 1/16	-	JWW		RELEASED TO PRODUCTION		
	DECIMALS:	0.00 ± 0.06						
	ANGULAR:	+ 1 DEG.		REV.	BY	DATE	DESCRIPTION	RELEASE #

Eldorado National
 — a THOR company —



1655B WALL STREET
 SALINA, KS 67401

TITLE:
 READING LIGHTS SCHEMATIC, EP3

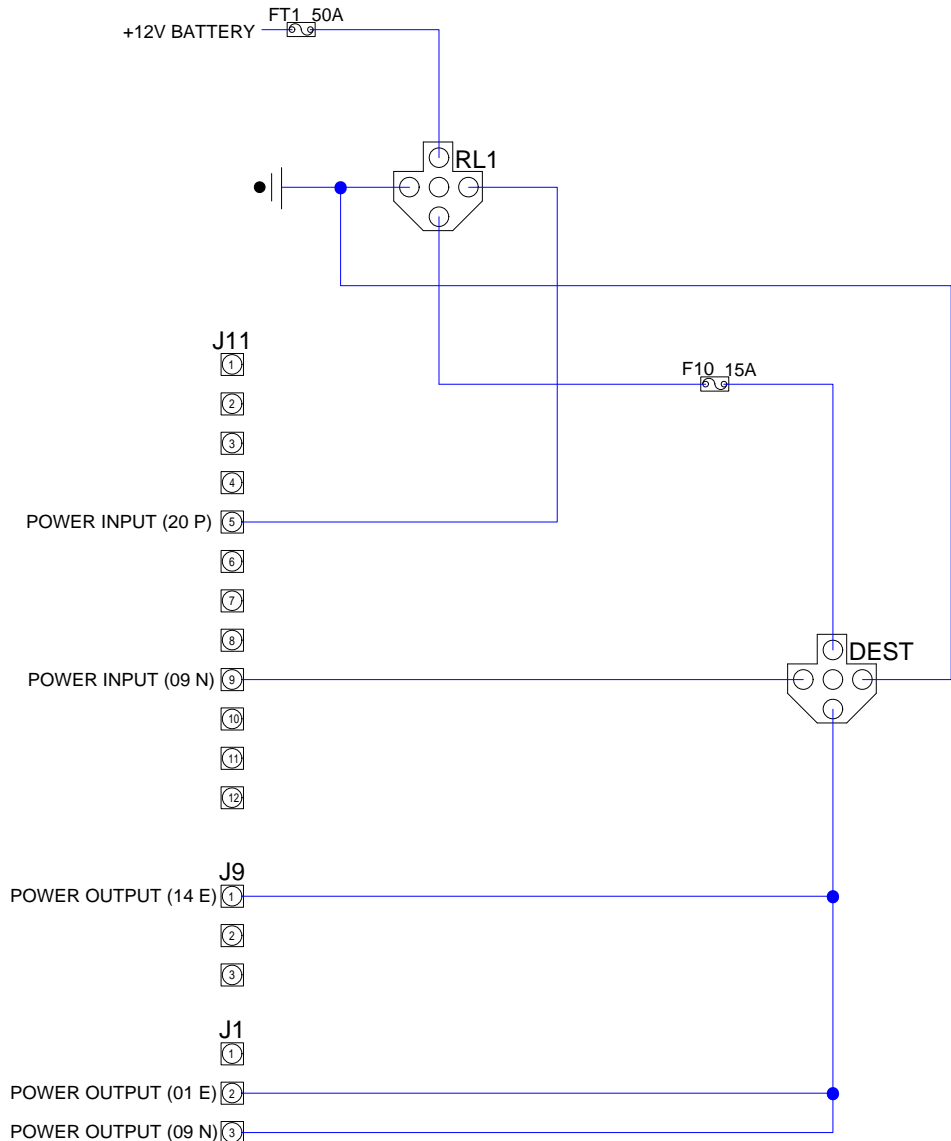
MATERIAL SPEC:

PART NUMBER:
S0032192-READING

PAGE:
 1 OF 1

Destination Sign Circuit

- Requires power input on J11 pin 5 (20 P).
- Requires power input on J11 pin 9 (09 N).
- Will activate power output on J1 pin (09 N) and J1 pin 2 (01 E).
- Relay outputs are used for:
 - Front marker lights (5)
 - Fair box light
 - Driver dash switch panel backlighting



NEXT ASSEMBLY:	DRAWING INFORMATION							
SUPERCEDES:	DRAWN:	CKD:	JOH					
DO NOT SCALE DRAWING	DATE:	SIZE:	A					
MARK PART NUMBER AND REVISION ON ALL PARTS	SCALE:	NTS	WGT:					
THIS DRAWING IS THE PROPERTY OF ELDORADO NATIONAL COMPANY, A THOR INDUSTRIES COMPANY AND IS NOT TO BE DUPLICATED OR USED IN ANY WAY DETRIMENTAL TO THEIR BEST INTEREST. REV. 01/04	TOLERANCE UNLESS SPECIFIED							
	FRACTIONAL:	± 1/16	-	JWW		RELEASED TO PRODUCTION		
	DECIMALS:	0.00 ± 0.06	REV.	BY	DATE	DESCRIPTION	RELEASE #	
	ANGULAR:	+ 1 DEG.						

Eldorado National

— a THOR company —

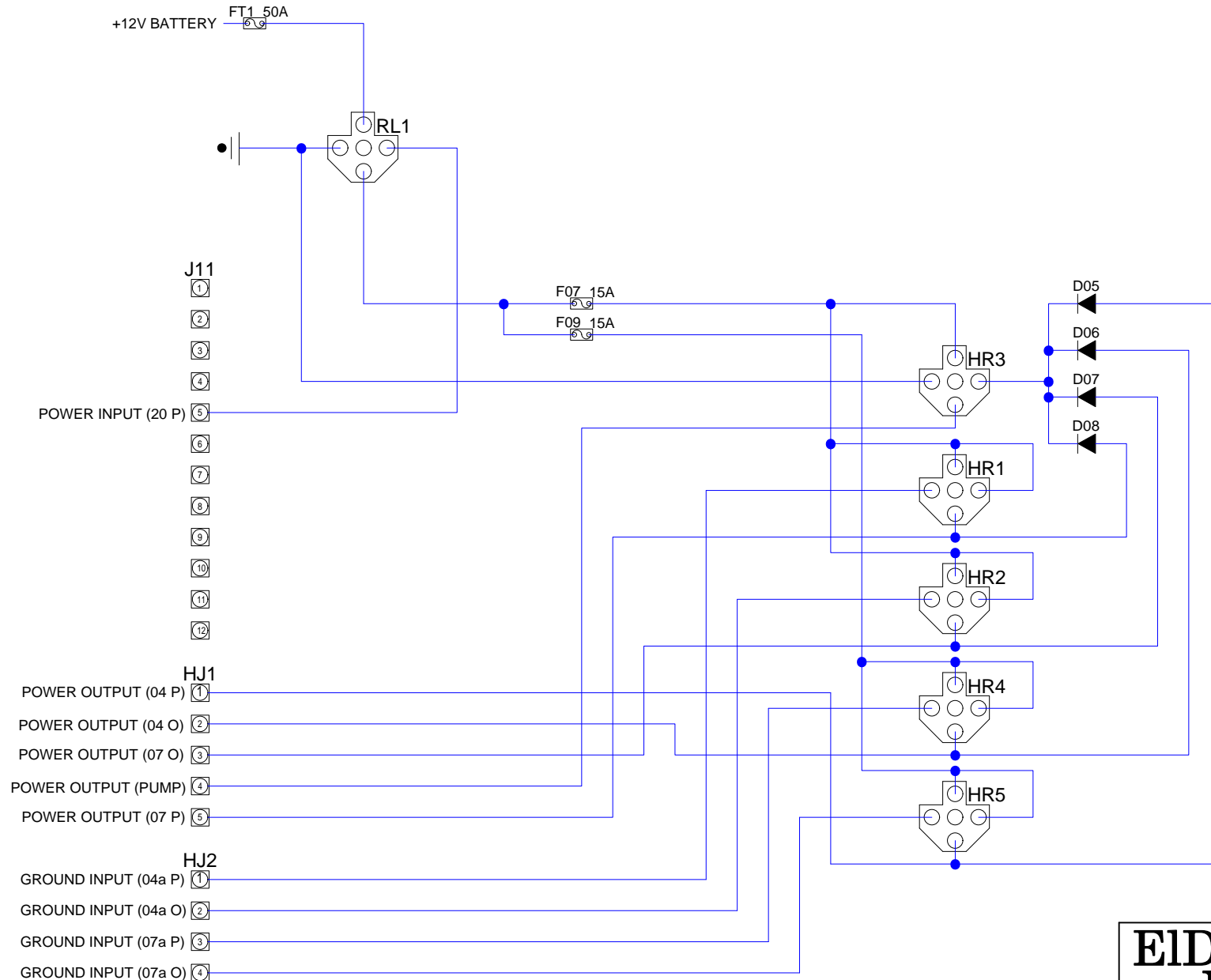


1655B WALL STREET
SALINA, KS 67401

TITLE: <i>DESTINATION SIGN SCHEMATIC, EP3</i>	
MATERIAL SPEC:	
PART NUMBER: S0032192-DEST	PAGE: 1 OF 1

Heater Circuit


- Requires power input on J11 pin 5 (20 P).
 - Requires ground input on HJ2 pin 1 (04a P).
 - Will activate power output on HJ1 pin 1 (04 P).
 - Will activate power output on HJ1 pin 4 (BOOSTER PUMP).
-
- Requires power input on J11 pin 5 (20 P).
 - Requires ground input on HJ2 pin 2 (04a O).
 - Will activate power output on HJ1 pin 2 (04 O).
 - Will activate power output on HJ1 pin 4 (BOOSTER PUMP).
-
- Requires power input on J11 pin 5 (20 P).
 - Requires ground input on HJ2 pin 3 (07a P).
 - Will activate power output on HJ1 pin 3 (07 P).
 - Will activate power output on HJ1 pin 4 (BOOSTER PUMP).
-
- Requires power input on J11 pin 5 (20 P).
 - Requires ground input on HJ2 pin 4 (07a O).
 - Will activate power output on HJ1 pin 5 (07 O).
 - Will activate power output on HJ1 pin 4 (BOOSTER PUMP).



NEXT ASSEMBLY:	DRAWING INFORMATION							
SUPERCEDES:	DRAWN:	CKD:	JOH					
DO NOT SCALE DRAWING	DATE:	SIZE:	A					
MARK PART NUMBER AND REVISION ON ALL PARTS	SCALE:	NTS	WGT:					
THIS DRAWING IS THE PROPERTY OF ELDORADO NATIONAL COMPANY, A THOR INDUSTRIES COMPANY AND IS NOT TO BE DUPLICATED OR USED IN ANY WAY DETRIMENTAL TO THEIR BEST INTEREST. REV. 01/04	TOLERANCE UNLESS SPECIFIED							
	FRACTIONAL:	± 1/16		-	JWW		RELEASED TO PRODUCTION	
	DECIMALS:	0.00 ± 0.06		REV.	BY	DATE	DESCRIPTION	RELEASE #

Eldorado National

— a THOR company —



1655B WALL STREET
SALINA, KS 67401

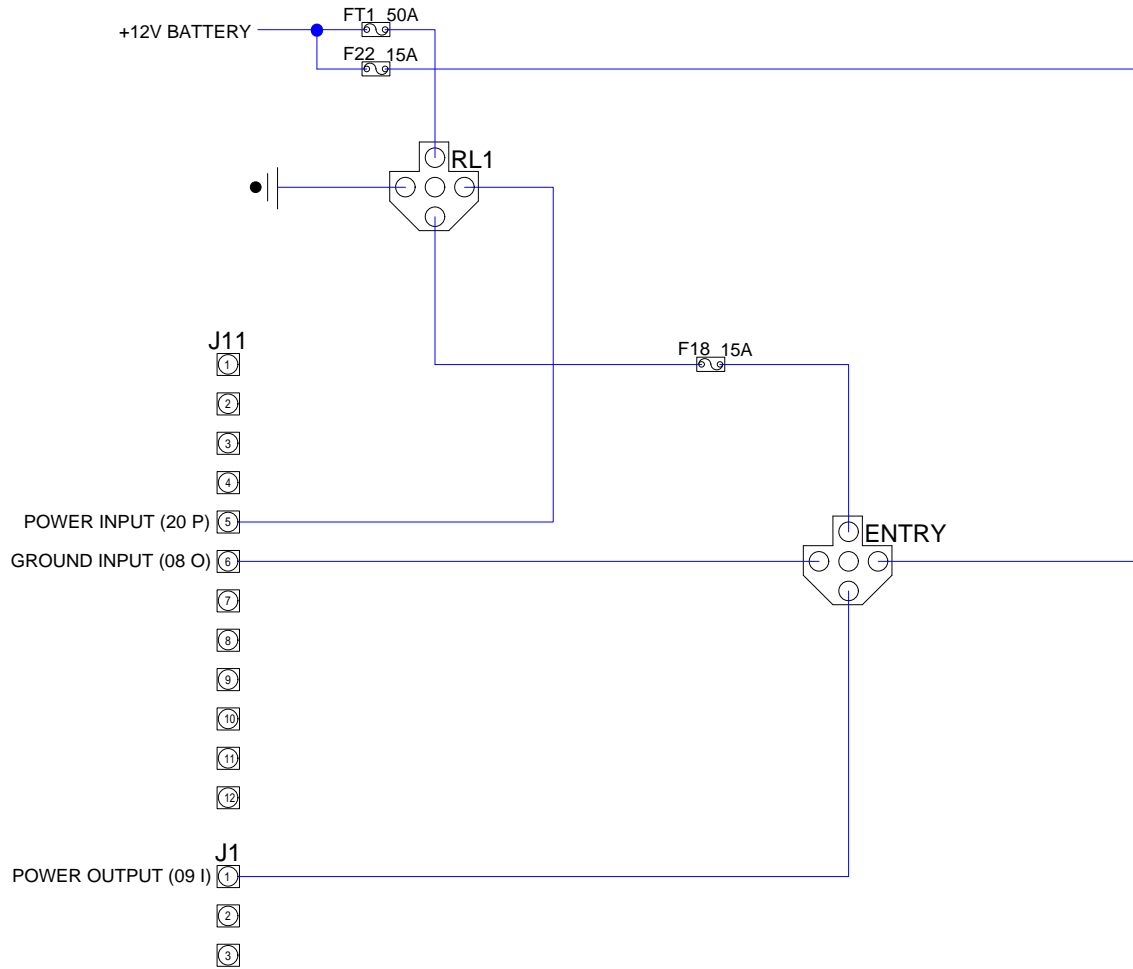
TITLE:
HEATER SCHEMATIC, EP3

MATERIAL SPEC:

PART NUMBER: S0032192-HEAT	PAGE: 1 OF 1
--------------------------------------	------------------------


Entry Door Interlock Circuit

- Requires power input on J11 pin 5 (20 P).
- Requires ground input on J11 pin 6 (08 O).
- Will activate power output on J1 pin 1 (09 I).
- To do a “battery hot” or “ignition hot” entry door, (09 I) pin 1 will need to be removed from J1 and connected to available battery or ignition power. This will allow the entry door to work in any transmission gear.
- Important note: This bypass will prevent the engine from high idle unless the transmission is shifted into “park”.



Eldorado National

— a THOR company —



1655B WALL STREET
SALINA, KS 67401

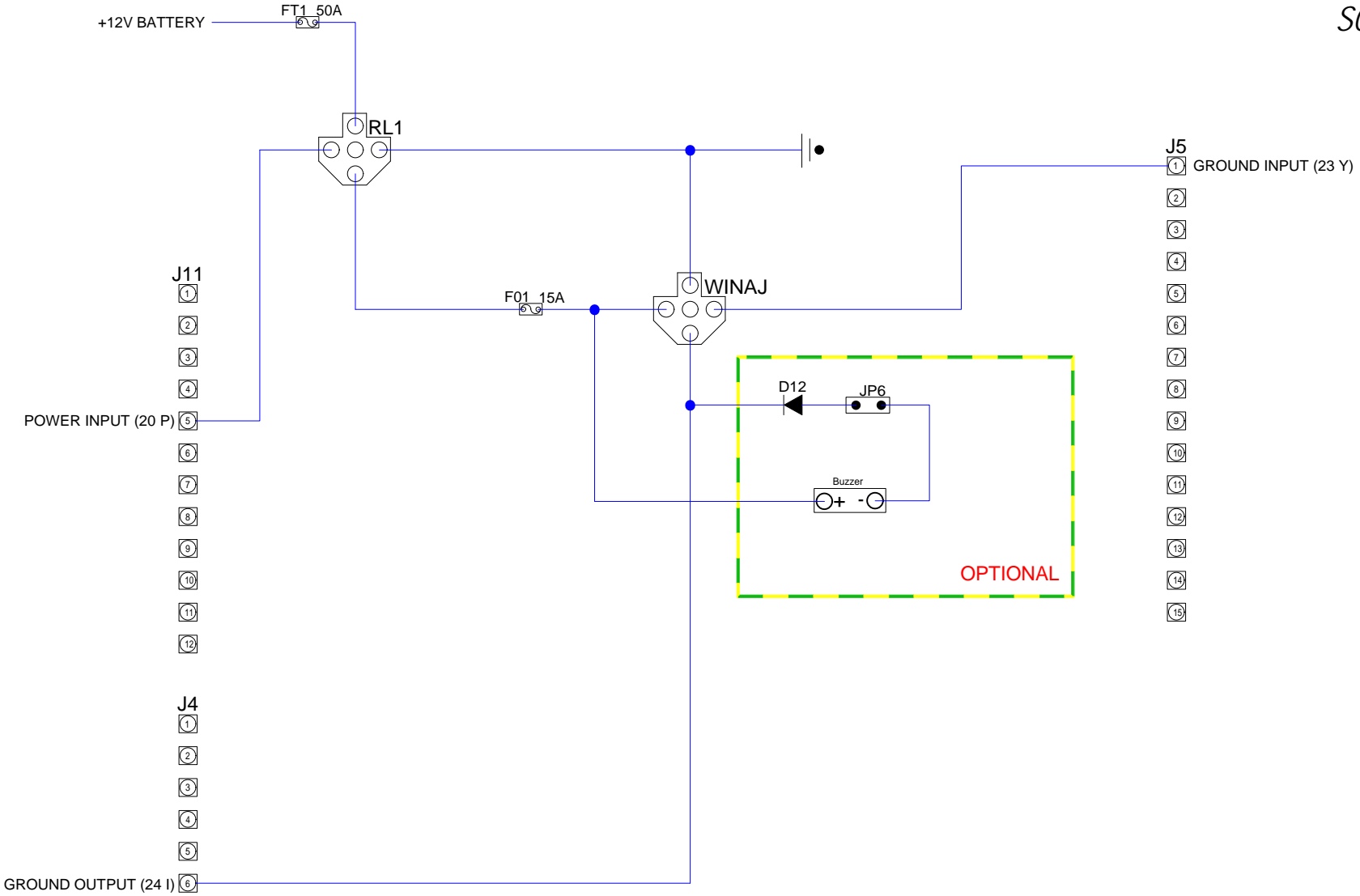
TITLE:		ENTRY DOOR INTERLOCK SCHEMATIC	
MATERIAL SPEC:		EP3	
PART NUMBER:		S0032192-ENTRY	
PAGE:		1 OF 1	

<i>NEXT ASSEMBLY:</i>	DRAWING INFORMATION							
<i>SUPERCEDES:</i>	DRAWN:	CKD:	JOH					
DO NOT SCALE DRAWING	DATE:	SIZE:	A					
MARK PART NUMBER AND REVISION ON ALL PARTS	SCALE:	NTS		WGT:				
THIS DRAWING IS THE PROPERTY OF ELDORADO NATIONAL COMPANY, A THOR INDUSTRIES COMPANY AND IS NOT TO BE DUPLICATED OR USED IN ANY WAY DETRIMENTAL TO THEIR BEST INTEREST. REV. 01/04	TOLERANCE UNLESS SPECIFIED							
	FRACTIONAL:	± 1/16		-	JWW	RELEASED TO PRODUCTION		
	DECIMALS:	0.00 ± 0.06		REV.	BY	DATE	DESCRIPTION	RELEASE #
	ANGULAR:	+ 1 DEG.						

Window Ajar Circuit

- Requires power input on J11 pin 5 (20 P).
- Requires ground input on J5 pin 1 (23 Y).
- Will activate ground output on J4 pin 6 (24 I).

- Optional Buzzer: Inserting a fuse into Jumper 6 will enable a buzzer anytime the window is ajar.



NEXT ASSEMBLY:	DRAWING INFORMATION				
SUPERCEDES:	DRAWN:	CKD:	JOH		
DO NOT SCALE DRAWING	DATE:	SIZE:	A		
MARK PART NUMBER AND REVISION ON ALL PARTS	SCALE:	NTS	WGT:		
THIS DRAWING IS THE PROPERTY OF ELDORADO NATIONAL COMPANY, A THOR INDUSTRIES COMPANY AND IS NOT TO BE DUPLICATED OR USED IN ANY WAY DETRIMENTAL TO THEIR BEST INTEREST. REV. 01/04	TOLERANCE UNLESS SPECIFIED				
	FRACTIONAL:	± 1/16	-	JWW	RELEASED TO PRODUCTION
	DECIMALS:	0.00 ± 0.06	REV.	BY	DATE
	ANGULAR:	+ 1 DEG.			RELEASE #

Eldorado National
 a THOR company

1655B WALL STREET
 SALINA, KS 67401

TITLE:
 WINDOW AJAR SCHEMATIC, EP3

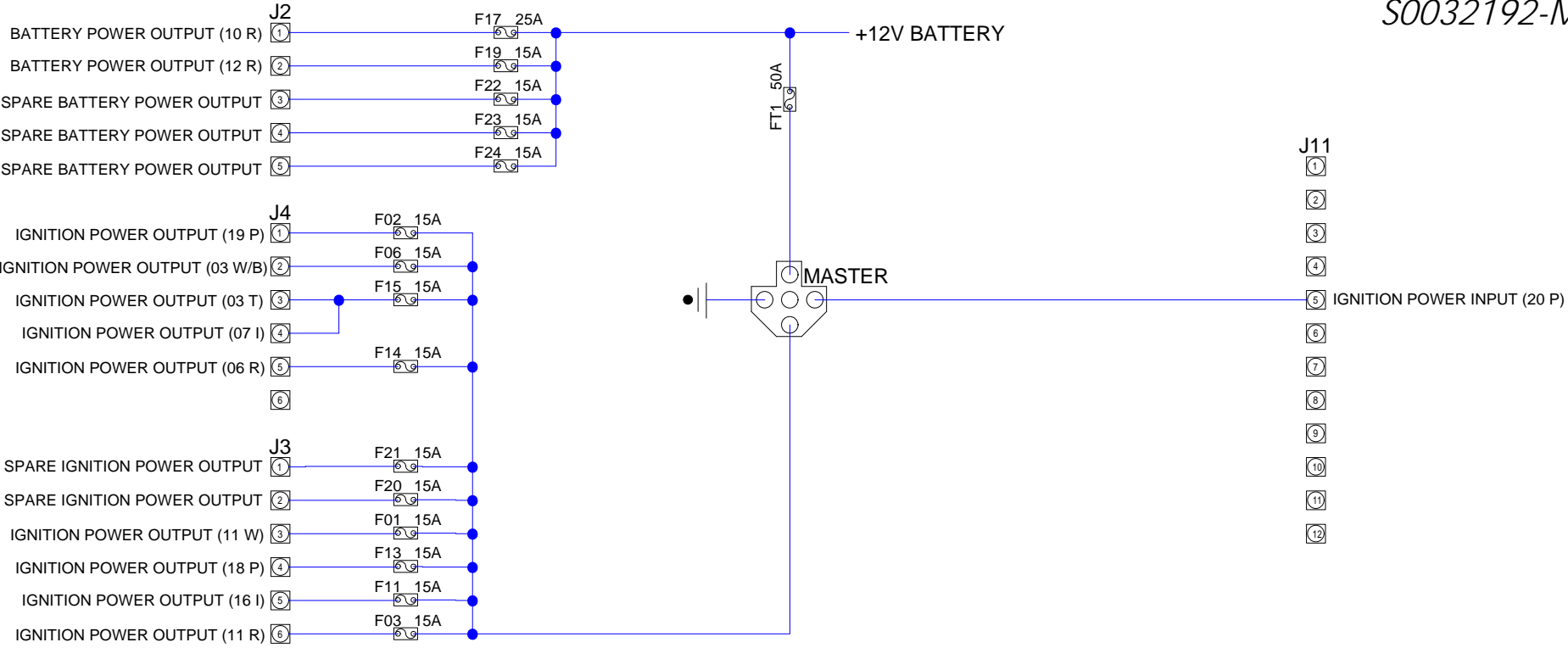
MATERIAL SPEC:

PART NUMBER:
S0032192-WINAJ

PAGE:
 1 OF 1

Power Distribution Circuit


- Requires power input on J11 pin 5 (20 P). This is the oem key on ignition.
- Requires primary +12v battery cable.
- Requires primary -12v battery cable.
- Will enable all fuses except F17, F19, F22, F23 and F24.
- All fuses except F17, F19, F22, F23 and F24 go through FT1.
- Fuses F17, F19, F22, F23 and F24 are battery hot.
- All fuses contain a red led for “fuse blown” function.



NEXT ASSEMBLY:	DRAWING INFORMATION					
SUPERCEDES:	DRAWN:	CKD:	JOH			
DO NOT SCALE DRAWING	DATE:	SIZE:	A			
MARK PART NUMBER AND REVISION ON ALL PARTS	SCALE:	WGT:	NTS			
THIS DRAWING IS THE PROPERTY OF ELDORADO NATIONAL COMPANY, A THOR INDUSTRIES COMPANY AND IS NOT TO BE DUPLICATED OR USED IN ANY WAY DETRIMENTAL TO THEIR BEST INTEREST. REV. 01/04	TOLERANCE UNLESS SPECIFIED					
	FRACTIONAL:	± 1/16	-	JWW	RELEASED TO PRODUCTION	
	DECIMALS:	0.00 ± 0.06	REV.	BY	DATE	DESCRIPTION
		ANGULAR:	+ 1 DEG.			RELEASE #

Eldorado National

— a THOR company —



1655B WALL STREET
SALINA, KS 67401

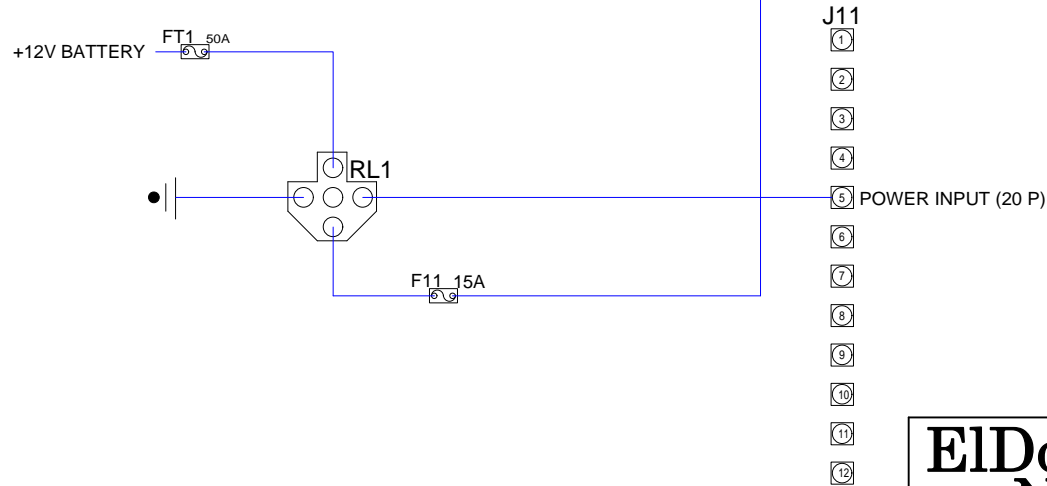
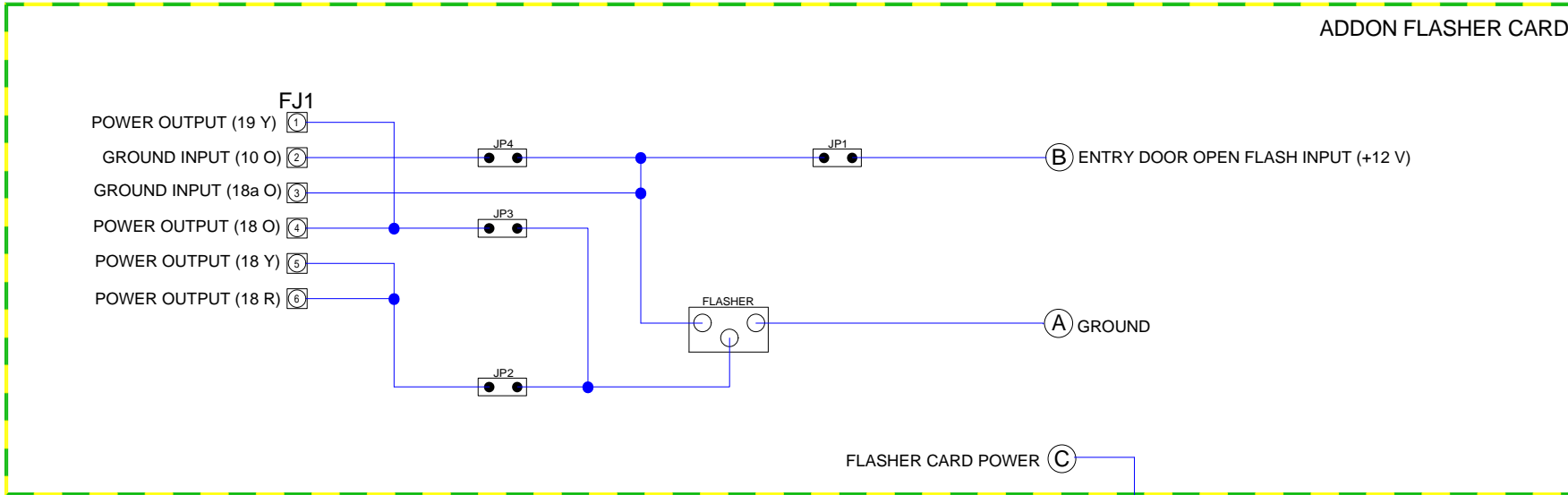
TITLE:
POWER DISTRIBUTION SCHEMATIC, EP3

MATERIAL SPEC:

PART NUMBER: S0032192-MASTER	PAGE: 1 OF 1
--	------------------------

Flasher Circuit

- Requires one of the following inputs:
 - FJ11 pin 5 (20 P) power input.
 - FJ1 pin 2 (10 O) ground input.
 - Requires JMP 4 to have a fuse installed.
 - FJ1 pin 3 (18a O) ground input.
 - Requires JMP 3 to have a fuse installed.
 - Mounting Screw B power input.
 - Requires JMP 1 to have a fuse installed.
- Will activate the following outputs:
 - FJ1 pin 1 (19 Y) & pin 4 (18 O) power output.
 - Requires JMP 3 to have a fuse installed.
 - FJ1 pin 5 (18 Y) & FJ1 pin 6 (18 R) power output.
 - Requires JMP 2 to have a fuse installed.



Eldorado National
 a THOR company

1655B WALL STREET
 SALINA, KS 67401

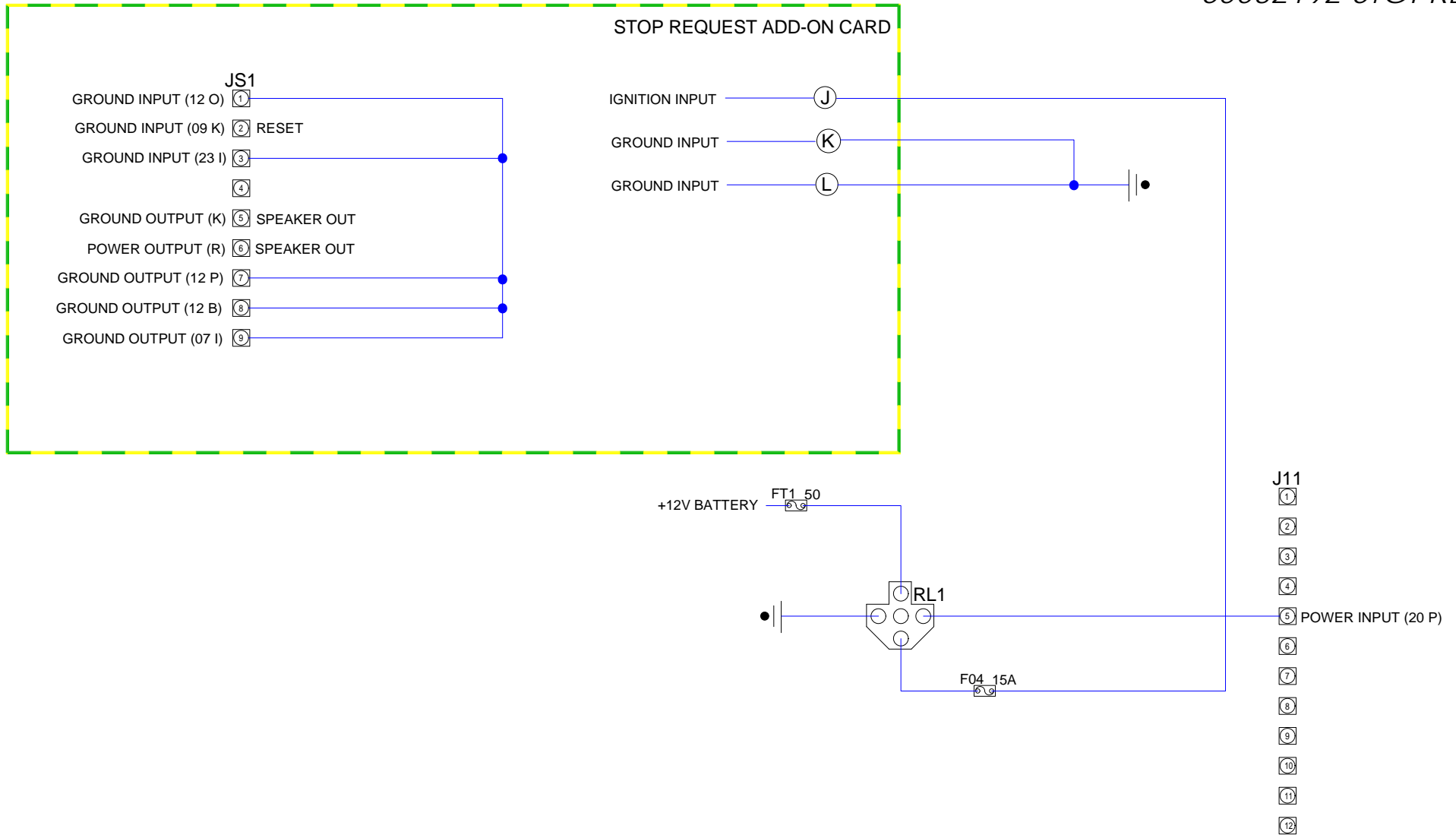
NEXT ASSEMBLY:	DRAWING INFORMATION			
SUPERCEDES:	DRAWN:	CKD:	JOH	
DO NOT SCALE DRAWING	DATE:	SIZE:	A	
MARK PART NUMBER AND REVISION ON ALL PARTS	SCALE:	WGT:	NTS	
THIS DRAWING IS THE PROPERTY OF ELDORADO NATIONAL COMPANY, A THOR INDUSTRIES COMPANY AND IS NOT TO BE DUPLICATED OR USED IN ANY WAY DETRIMENTAL TO THEIR BEST INTEREST. REV. 01/04	TOLERANCE UNLESS SPECIFIED			
	FRACTIONAL:	± 1/16	-	JWW
	DECIMALS:	0.00 ± 0.06		
	ANGULAR:	+ 1 DEG.		
	REV.	BY	DATE	RELEASED TO PRODUCTION
				RELEASE #

TITLE: FLASHER SCHEMATIC, EP3	
MATERIAL SPEC:	
PART NUMBER: S0032192-FLASHER	PAGE: 1 OF 1

Stop Request Circuit

- Requires one of the following inputs:
 - FJ11 pin 5 (20 P) power input.
 - JS1 pin 1 (12 O) ground input.
 - Will activate a dual tone chime on JS1 pin 6 and JS1 pin 5 (speaker out).
 - Will activate JS1 pin 7 ground output for dash ADA request light.
 - Will activate JS1 pin 6 ground output for overhead stop request light.
 - Will reset with JS1 pin 2 ground input from entry door.
 - Will reset with optional driver switch in dash using JS1 pin 2 wire to ground.
 - JS1 pin 3 (23 I) ground input.
 - Will activate a single tone chime on JS1 pin 6 and JS1 pin 5 (speaker out).
 - Will activate JS1 pin 9 ground output for dash ADA request light.
 - Will activate JS1 pin 6 ground output for overhead stop request light.
 - Will reset with JS1 pin 2 ground input from entry door.
 - Will reset with optional driver switch in dash using JS1 pin 2 wire to ground.
 - Mounting screw J uses ignition power input.
 - Mounting screws K & L are ground inputs.

STOP REQUEST ADD-ON CARD



NEXT ASSEMBLY:	DRAWING INFORMATION				
SUPERCEDES:	DRAWN:	CKD: JOH			
DO NOT SCALE DRAWING	DATE:	SIZE: A			
MARK PART NUMBER AND REVISION ON ALL PARTS	SCALE: NTS	WGT:			
THIS DRAWING IS THE PROPERTY OF ELDORADO NATIONAL COMPANY, A THOR INDUSTRIES COMPANY AND IS NOT TO BE DUPLICATED OR USED IN ANY WAY DETRIMENTAL TO THEIR BEST INTEREST. REV. 01/04	TOLERANCE UNLESS SPECIFIED				
	FRACTIONAL: ± 1/16		-	JWW	RELEASED TO PRODUCTION
	DECIMALS: 0.00 ± 0.06		REV.	BY	DATE
	ANGULAR: + 1 DEG.				DESCRIPTION
					RELEASE #

Eldorado National

— a THOR company —



1655B WALL STREET
SALINA, KS 67401

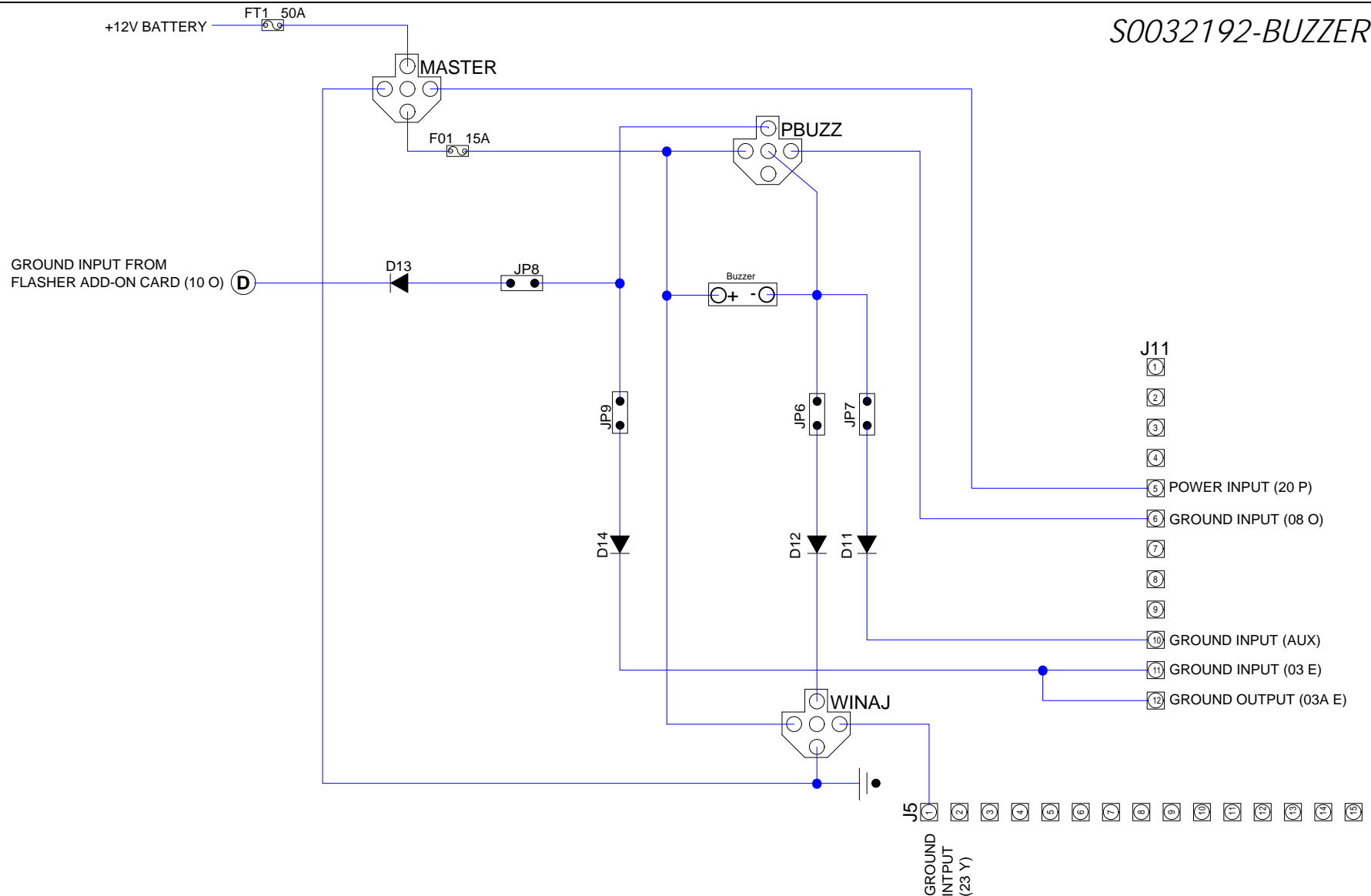
TITLE:
STOP REQUEST SCHEMATIC, EP3

MATERIAL SPEC:

PART NUMBER: S0032192-STOPREQ	PAGE: 1 OF 1
---	------------------------

Buzzer Circuit

- Requires the following input:
 - FJ11 pin 5 (20 P) power input.
- Requires one of the following inputs:
 - J11 PIN 10 (AUX) ground input.
 - Requires JMP 7.
 - J5 pin 1 (23 Y) ground input.
 - Requires JMP 6.
 - Flasher add-on card (FJ1 pin 2 10 O) ground input.
 - Requires JMP 8.
 - Requires J11 pin 6 (08 O) transmission park ground input.
 - J11 pin 11 (03 E) ground input.
 - Requires JMP 9.
 - Requires J11 pin 6 (08 O) transmission park ground input.



J5
GROUND
INPUT
(23 Y)

- J11
- 1
 - 2
 - 3
 - 4
 - 5 POWER INPUT (20 P)
 - 6 GROUND INPUT (08 O)
 - 7
 - 8
 - 9
 - 10 GROUND INPUT (AUX)
 - 11 GROUND INPUT (03 E)
 - 12 GROUND OUTPUT (03A E)

Eldorado National
 a THOR company



1655B WALL STREET
SALINA, KS 67401

NEXT ASSEMBLY:	DRAWING INFORMATION				
SUPERCEDES:	DRAWN:	CKD:	JOH		
DO NOT SCALE DRAWING	DATE:	SIZE:	A		
MARK PART NUMBER AND REVISION ON ALL PARTS	SCALE:	WGT:			
THIS DRAWING IS THE PROPERTY OF ELDORADO NATIONAL COMPANY, A THOR INDUSTRIES COMPANY AND IS NOT TO BE DUPLICATED OR USED IN ANY WAY DETRIMENTAL TO THEIR BEST INTEREST. REV. 01/04	TOLERANCE UNLESS SPECIFIED				
	FRACTIONAL:	± 1/16	-	JWW	RELEASED TO PRODUCTION
	DECIMALS:	0.00 ± 0.06			
	ANGULAR:	+ 1 DEG.	REV.	BY	DATE
					DESCRIPTION
					RELEASE #

TITLE: BUZZER SCHEMATIC, EP3	
MATERIAL SPEC:	
PART NUMBER: S0032192-BUZZER	PAGE: 1 OF 1

Fuse Legend

Fuse	Description	Fuse	Description
01	Window Ajar / Stop Request Overhead Light	13	Driver Fan
02	Entry Door Controlled Lighting	14	Driver Switch Panel Ignition Source
03	Audio Systems Ignition (except radio)	15	Luggage Light / Exit Lights
04	Passenger Pull Cord / Wheelchair Pull Cord System	16	Left Reading Lights
05	Right Reading Lights	17	Entry Door Battery Source
06	Air Conditioning Dash Switch	18	Entry Door Interlock Relay (Controls Open / Close Signals)
07	Midbody Heater Drop	19	Audio Systems Battery Source
08	Interior Passenger Dome Lights	20	Spare Ignition Fuse
09	Rear Heater Drop	21	Spare Ignition Fuse
10	Destination Sign / Front Marker Lights / Driver Dash Switch Backlighting / Fare Box (Marker Light enable only)	22	Spare Battery Fuse
11	Aux Power Output / Flasher Add-on Card Power	23	Spare Battery Fuse
12	Destination Sign / Aux Radio Drop	24	Spare Battery Fuse

LED Indicators

Application	Component Label	Amber LED	Green LED	Red LED
Main EP3 Panel	DEST	J11 Pin 9 power trigger	Output of relay activation	Fuse 10
	ENTRY	J11 Pin 6 ground trigger	Output of relay activation	Fuse 18
	LRDT	J11 Pin 8 ground trigger	Output of relay activation	Fuse 8
	DOME	J11 Pin 4 power trigger	Output of relay activation	Fuse 7
	RRDLT	J11 Pin 7 ground trigger	Output of relay activation	Fuse 5
	PBUZZ	J11 Pin 6 ground trigger	Not Available	Not Available
	WINAJ	J5 Pin 1 ground trigger	Output of relay activation	Not Available
Stop Request Add-on Card	ADA	Relay trigger from Chip	JS1 Pin 1 ground input	Not Available
	BOTH	Relay trigger from Chip	Not Available	Not Available
	PASS	Relay trigger from Chip	JS1 Pin 3 ground input	Not Available
	CANCEL	Not Available	JS1 Pin 2 ground input	Not Available
	POWER	Not Available	Fuse 4	Fuse 4
Heater Add-on Card	HR1	HJ2 Pin 1 ground input	Output of relay activation	Fuse 7
	HR2	HJ2 Pin 2 ground input	Output of relay activation	Fuse 7
	HR3	Not Available	Output of relay activation	Fuse 7
	HR4	HJ2 Pin 3 ground input	Output of relay activation	Fuse 9
	HR5	HJ2 Pin 4 ground input	Output of relay activation	Fuse 9
Flasher Add-on Card	FLASH	Not Available	Not Available	Chip Output
	POWER	Not Available	Fuse 11	Fuse 11
	18 O	Not Available	Output of relay activation	Not Available
	18 Y	Not Available	Output of relay activation	Not Available
	18 R	Not Available	Output of relay activation	Not Available