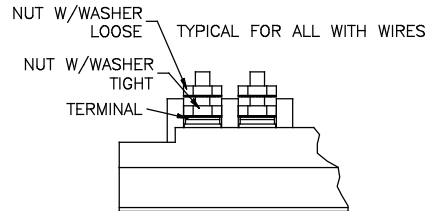
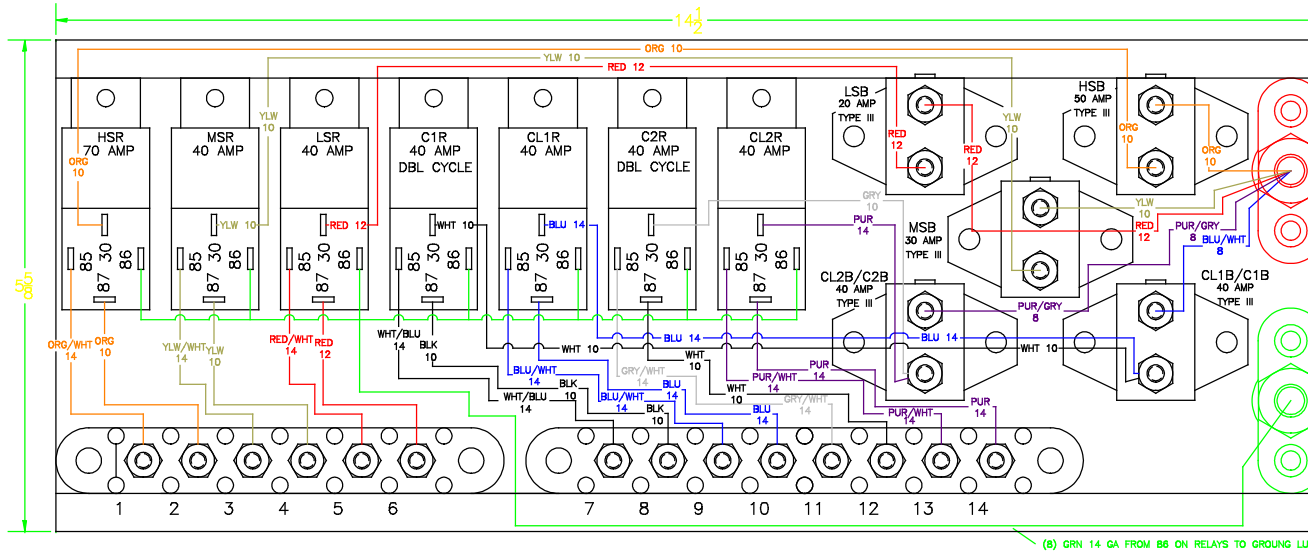


0029814-2



VENDOR INFORMATION
ENC VENDOR #:
VENDOR NAME: CABLE-TECH IND
VENDOR ADDRESS: 11064 STRANG LINE ROAD
CITY, STATE, ZIP: LENEXA, KS 66215
VENDOR PHONE: 913-469-6400
VENDOR P/N: 0029814-2
VENDOR DESC: A/C PANEL
OR ENGINEERING APPROVED EQUAL

Eldorado National 
 — a THOR company — 1655 WALL STREET SALINA, KS. 67401

REVISION	DATE	DESCRIPTION	RELEASE #
1	11/8/04	RELEASE TO PRODUCTION	09472
2	5/31/05	CHANGE WIRE COLORS ON COND. RELAY	09962
3	1/21/05	UPDATE PANEL	09678
4	3/26/07	NC	11734

NEXT ASSEMBLY: NONE SUPERCEDES: NONE DO NOT SCALE DRAWING MARK PART NUMBER AND REVISION ON ALL PARTS <small>THIS DRAWING IS THE PROPERTY OF ELDRADO NATIONAL COMPANY, A THOR INDUSTRIES COMPANY AND IS NOT TO BE DUPLICATED OR USED IN ANY WAY DETRIMENTAL TO THEIR BEST INTEREST.</small> REV. 02/02	DRAWING INFORMATION DRAWN: WARD OKD: DATE: 11/8/04 SIZE: A C PEH 3/26/07 SCALE: NTS WGT: TOLERANCE UNLESS SPECIFIED FRACTIONS ± 1/16 DECIMALS .00 ± .06 ANGLES + 1 DEG.	11734 09962 09678 09472	TITLE: PANEL, A/C ACT 90/9333/9332 ACT 90, 9333, 9332 MATERIAL SPEC: PART NUMBER 0029814-2 PAGE 1 of 1
--	---	----------------------------------	---