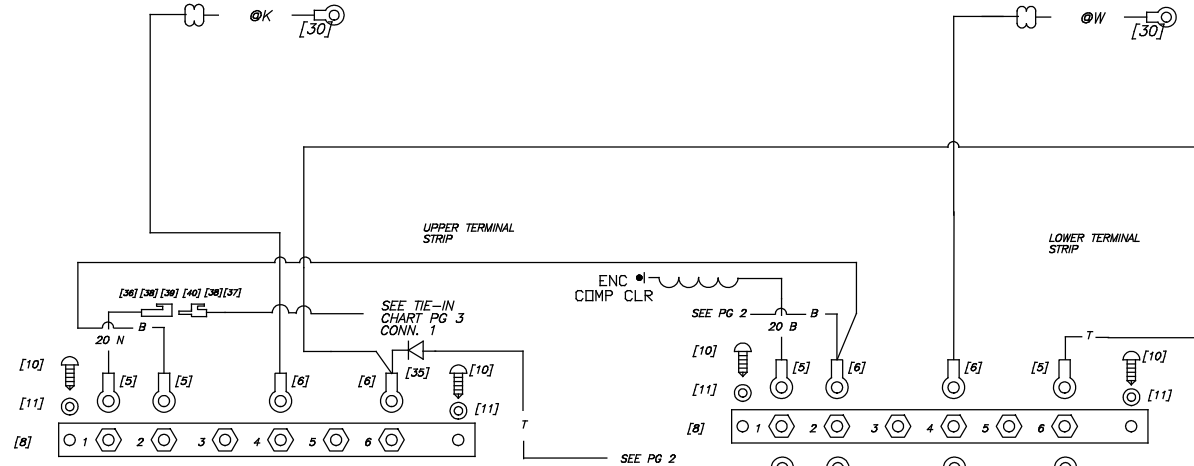


- NOTE:
- [Y] WHERE Y REFERS TO THE BOM ITEM NUMBER.
 - ALL ELECTRICAL CHASSIS GROUND CONNECTIONS WILL USE STAR WASHERS.
 - ALL EXTERIOR WIRING CONNECTIONS WILL BE COVERED WITH MASTIC LINED HEAT SHRINK TUBING.
 - FB - FUSE BLOCK
 - TB-1 K FOR DUCTED AND O FOR FREE BLOW.
 - FORD A/C SWITCH - ACTIVATE BLOWER, COMPRESSOR AND OEM CM-2 CONDENSOR.
 - ENC A/C SWITCH - ACTIVATE REAR BLOWER, BOTH COMPRESSORS, AND BOTH CONDENSORS.
 - FOR A/C PRESSURE SWITCHES, CONSULT THE APPROPRIATE MANUFACTURER'S SERVICE MANUAL.



FOR UNITS WITH MAX FUSES USE THIS LEGEND

MAXI FUSE BLOCK A

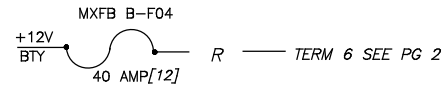
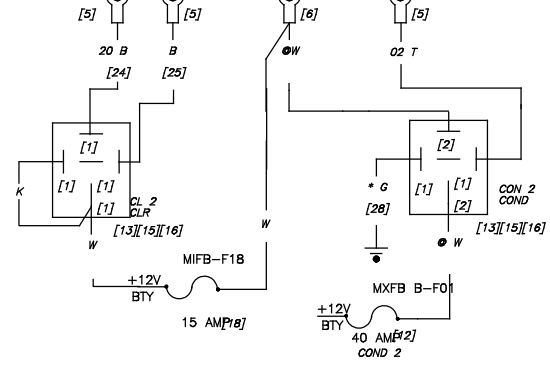
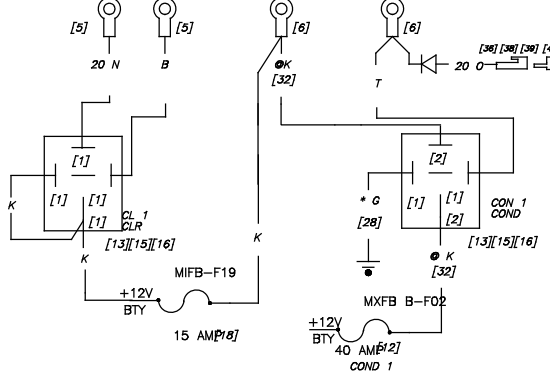
01	02	03	04	05	06
----	----	----	----	----	----

MAXI FUSE BLOCK B

01	02	03	04	05	06
----	----	----	----	----	----

MINI FUSE BLOCK

20	19	18	17	16
15	14	13	12	11
10	09	08	07	06
05	04	03	02	01

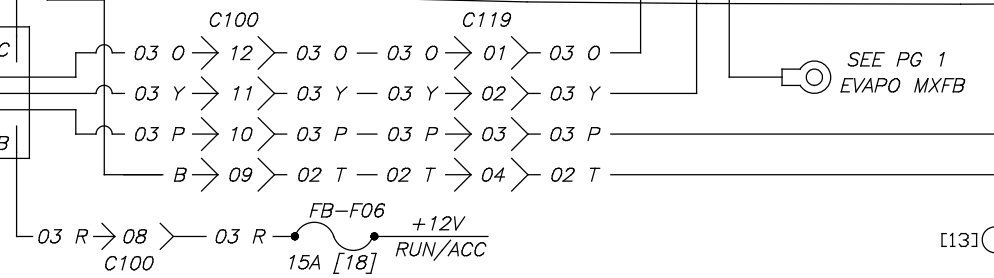
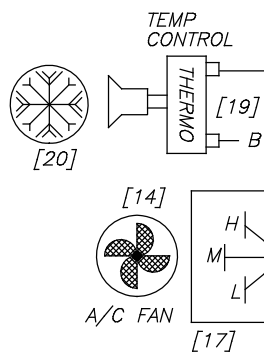
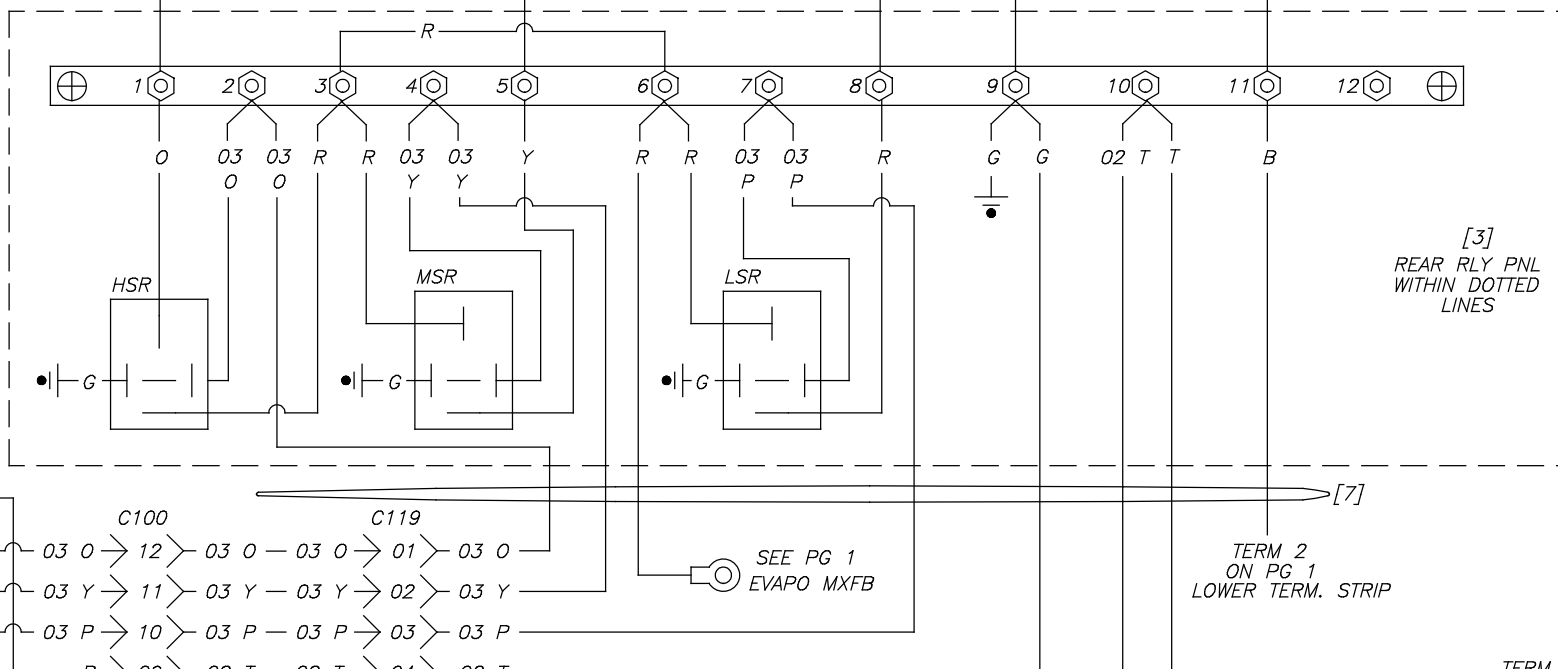
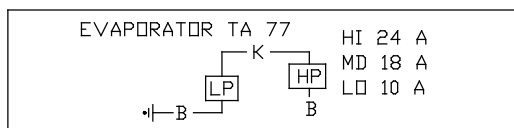


EVAPO

Eldorado National
 — a THOR company —
 1655 WALL STREET
 SALINA, KS. 67401

NEXT ASSEMBLY: NONE	DRAWING INFORMATION				
SUPERCEDES: 0025183	DRAWN: HOLCOM	CKD:			
DO NOT SCALE DRAWING	DATE: 7/02/03	SIZE: A			
MARK PART NUMBER AND REVISION ON ALL PARTS	SCALE: NTS	WGT:			
THIS DRAWING IS THE PROPERTY OF ELDRADO NATIONAL COMPANY, A THOR INDUSTRIES COMPANY AND IS NOT TO BE DUPLICATED OR USED IN ANY WAY DETRIMENTAL TO THEIR BEST INTEREST. REV. 02/02	TOLERANCE UNLESS SPECIFIED		A	BJM	1/14/09
	FRACTIONS	± 1/16	-	TLH	7/07/03
	DECIMALS	.00 ± .06			
	ANGLES	+ 1 DEG.			
					N/C PART
					13805
					RELEASE TO PRODUCTION
					08020
					RELEASE #

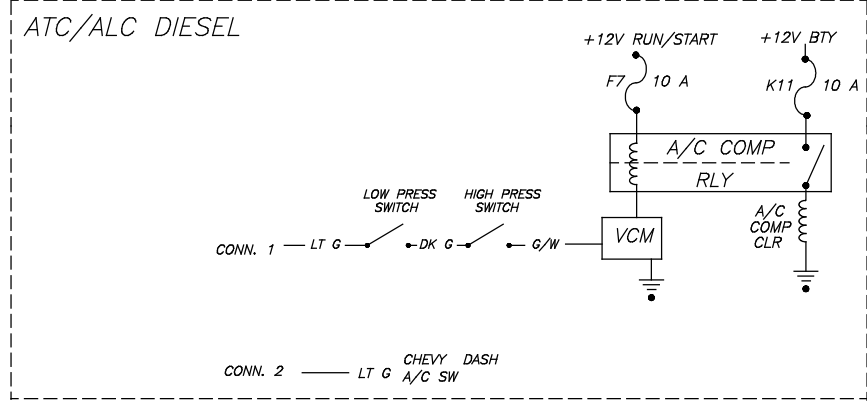
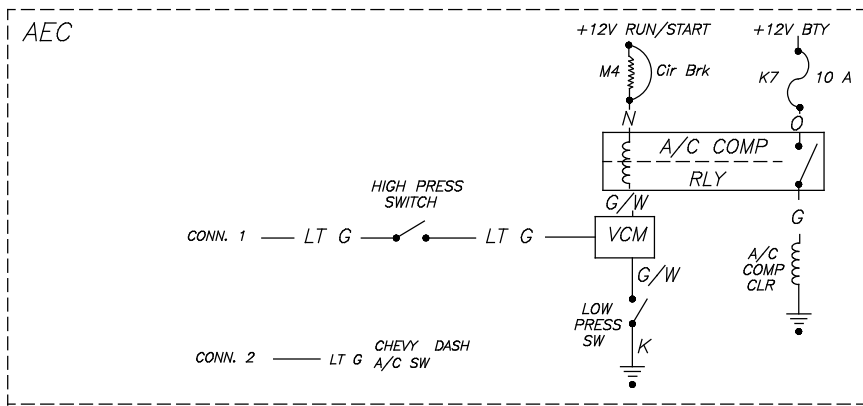
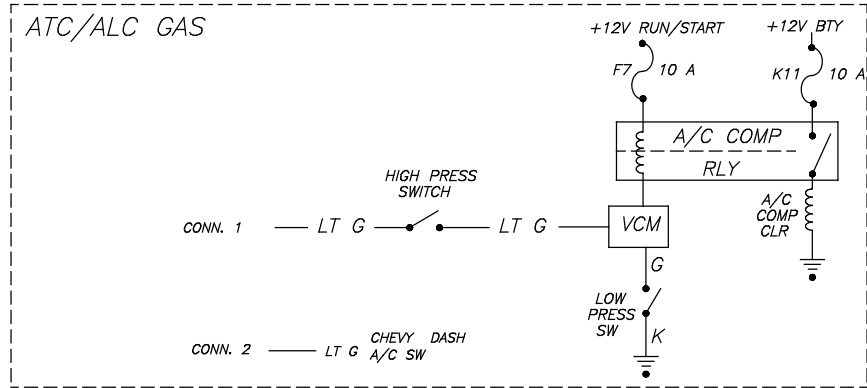
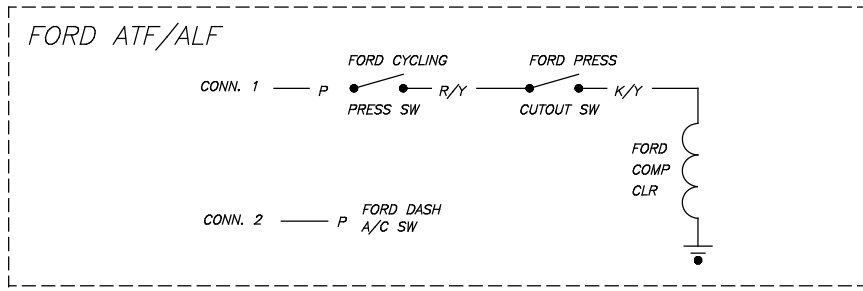
TITLE: A/C SCHEM, ATF/ALF/ATC/ALC/AEC TA 774 SUPER 03
MATERIAL SPEC: SEE B.O.M.
PART NUMBER 0029033
PAGE 1 of 4



- NOTE
- [Y] WHERE Y REFERS TO THE B.O.M. ITEM NUMBER.
 - ALL ELECTRICAL CHASSIS GROUND CONNECTIONS WILL USE STAR WASHERS.
 - ALL EXTERIOR WIRING CONNECTIONS WILL BE COVERED WITH MASTIC LINED HEAT SHRINK TUBING.
 - NC - NO CONNECTION

Eldorado National
 — a THOR company —
 1655 WALL STREET SALINA, KS. 67401

NEXT ASSEMBLY: NONE	DRAWING INFORMATION						
SUPERCEDES: 0025183	DRAWN: HOLCOM	CKD:					TITLE: A/C SCHEM, ATF/ALF/ATC/ALC/AEC TA 774 SUPER 03
DO NOT SCALE DRAWING	DATE: 7/02/03	SIZE: A					MATERIAL SPEC: SEE B.O.M.
MARK PART NUMBER AND REVISION ON ALL PARTS	SCALE: NTS	WGT:					PART NUMBER 0029033
THIS DRAWING IS THE PROPERTY OF ELDORADO NATIONAL COMPANY, A THOR INDUSTRIES COMPANY AND IS NOT TO BE DUPLICATED OR USED IN ANY WAY DETRIMENTAL TO THEIR BEST INTEREST. REV. 02/02	TOLERANCE UNLESS SPECIFIED		A	BJM	1/14/09	N/C PART	13805
	FRACTIONS	± 1/16	-	TLH	7/07/03	RELEASE TO PRODUCTION	08020
	DECIMALS	.00 ± .06	REV.	BY	DATE	DESCRIPTION	RELEASE #
	ANGLES	+ 1 DEG.					PAGE 2 OF 4



Eldorado National 
 — a THOR company — 1655 WALL STREET SALINA, KS. 67401

NEXT ASSEMBLY: NONE	DRAWING INFORMATION					
SUPERCEDES: 0025183	DRAWN: HOLCOM	CKD:				
DO NOT SCALE DRAWING	DATE: 7/02/03	SIZE: A				
MARK PART NUMBER AND REVISION ON ALL PARTS	SCALE: NTS	WGT:				
THIS DRAWING IS THE PROPERTY OF EL Dorado NATIONAL COMPANY, A THOR INDUSTRIES COMPANY AND IS NOT TO BE DUPLICATED OR USED IN ANY WAY DETRIMENTAL TO THEIR BEST INTEREST. REV. 02/02	TOLERANCE UNLESS SPECIFIED		A	BJM	1/14/09	N/C PART
	FRACTIONS	± 1/16	-	TLH	7/07/03	RELEASE TO PRODUCTION
	DECIMALS	.00 ± .06				08020
	ANGLES	+ 1 DEG.	REV.	BY	DATE	DESCRIPTION
						RELEASE #

TITLE: A/C SCHEM, ATF/ALF/ATC/ALC/AEC TA 774 SUPER 03
MATERIAL SPEC: SEE B.O.M.
PART NUMBER 0029033
PAGE 3 of 4

