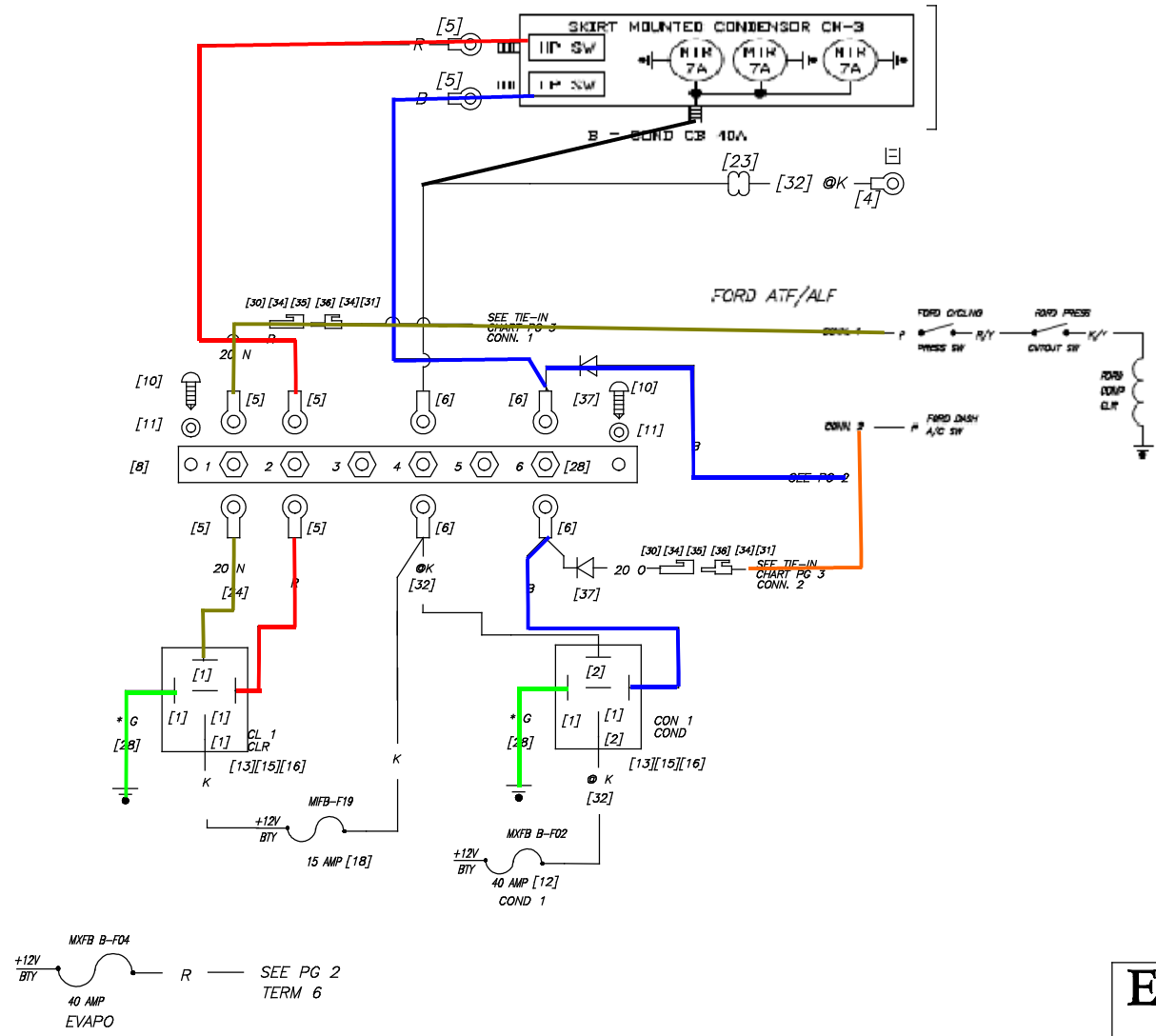


0029028



- NOTE:
- [Y] WHERE Y REFERS TO THE B.O.M. ITEM NUMBER.
  - ALL ELECTRICAL CHASSIS GROUND CONNECTIONS WILL USE STAR WASHERS.
  - FB - FUSE BLOCK
  - FORD A/C SWITCH - ACTIVATE COMPRESSOR, DASH BLOWER, AND CONDENSOR.
  - ENC A/C SWITCH - ACTIVATE REAR BLOWER, COMPRESSOR, AND CONDENSOR.
  - NC - NO CONNECTION

FOR UNITS WITH MAX FUSES USE THIS LEGEND

MAXI FUSE BLOCK A

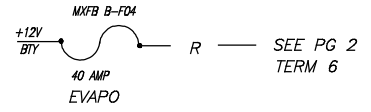
01	02	03	04	05	06
----	----	----	----	----	----

MAXI FUSE BLOCK B

01	02	03	04	05	06
----	----	----	----	----	----

MINI FUSE BLOCK

20	19	18	17	16
15	14	13	12	11
10	09	08	07	06
05	04	03	02	01



**Eldorado National**  
 — a THOR company —

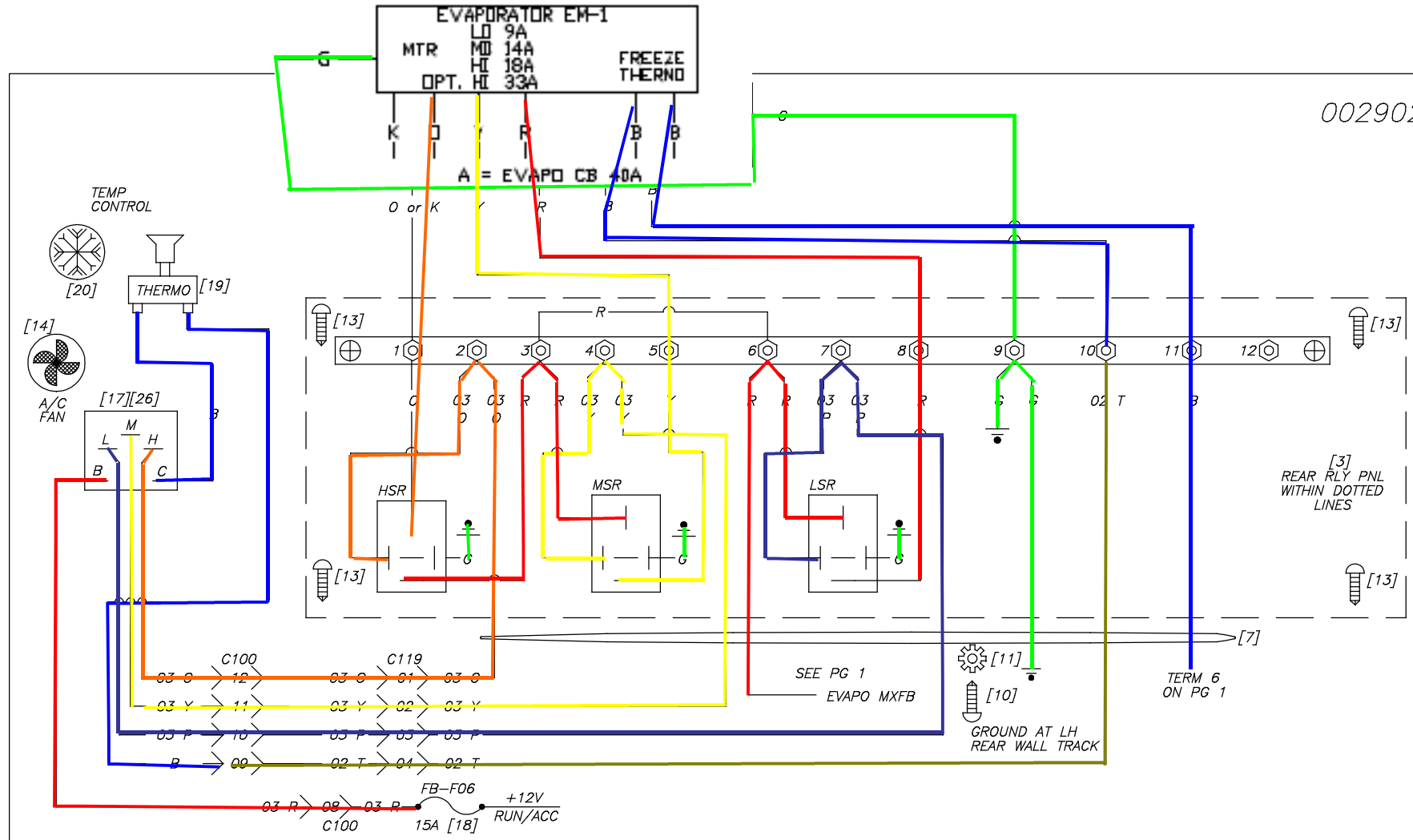


1655 WALL STREET  
 SALINA, KS. 67401

NEXT ASSEMBLY: NONE	DRAWING INFORMATION					
SUPERCEDES: 0025201	DRAWN: HOLCOM	CKD:				
DO NOT SCALE DRAWING	DATE: 7/02/03	SIZE: A				
MARK PART NUMBER AND REVISION ON ALL PARTS	SCALE: NTS	WGT:				
THIS DRAWING IS THE PROPERTY OF ELDORADO NATIONAL COMPANY, A THOR INDUSTRIES COMPANY AND IS NOT TO BE DUPLICATED OR USED IN ANY WAY DETRIMENTAL TO THEIR BEST INTEREST. REV. 02/02	TOLERANCE UNLESS SPECIFIED		A	BJM	1/14/09	N/C PART
	FRACTIONS ± 1/16		-	TLH	7/07/03	RELEASE TO PRODUCTION
	DECIMALS .00 ± .06					
	ANGLES + 1 DEG.	REV. BY DATE				

TITLE: A/C SCHEM, ALF/ALC/ATF/ATC/AEC CAC TIE-IN 03	
MATERIAL SPEC: SEE B.O.M.	
PART NUMBER 0029028	PAGE 1 of 4

0029028



- NOTE
1. [Y] WHERE Y REFERS TO THE B.O.M. ITEM NUMBER.
  2. ALL ELECTRICAL CHASSIS GROUND CONNECTIONS WILL USE STAR WASHERS.
  3. ALL EXTERIOR WIRING CONNECTIONS WILL BE COVERED WITH MASTIC LINED HEAT SHRINK TUBING.
  4. NC - NO CONNECTION

**Eldorado National**  
 — a THOR company —  
 1655 WALL STREET  
 SALINA, KS. 67401

NEXT ASSEMBLY: NONE	DRAWING INFORMATION							
SUPERCEDES: 0025201	DRAWN: HOLCOM	CKD:						
DO NOT SCALE DRAWING	DATE: 7/02/03	SIZE: A						
MARK PART NUMBER AND REVISION ON ALL PARTS	SCALE: NTS	WGT:						
THIS DRAWING IS THE PROPERTY OF ELDERADO NATIONAL COMPANY, A THOR INDUSTRIES COMPANY AND IS NOT TO BE DUPLICATED OR USED IN ANY WAY DETRIMENTAL TO THEIR BEST INTEREST. REV. 02/02	TOLERANCE UNLESS SPECIFIED	A	BJM	1/14/09	N/C PART		13805	
	FRACTIONS ± 1/16							
	DECIMALS .00 ± .06							
	ANGLES + 1 DEG.							
			TLH	7/07/03	RELEASE TO PRODUCTION		08020	
			REV. BY	DATE	DESCRIPTION		RELEASE #	

TITLE:  
 A/C SCHEM, ALF/ALC/ATF/ATC/AEC  
 CAC TIE-IN 03

MATERIAL SPEC:  
 SEE B.O.M.

PART NUMBER  
**0029028**

PAGE  
 2 of 4