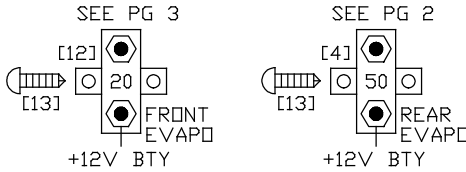
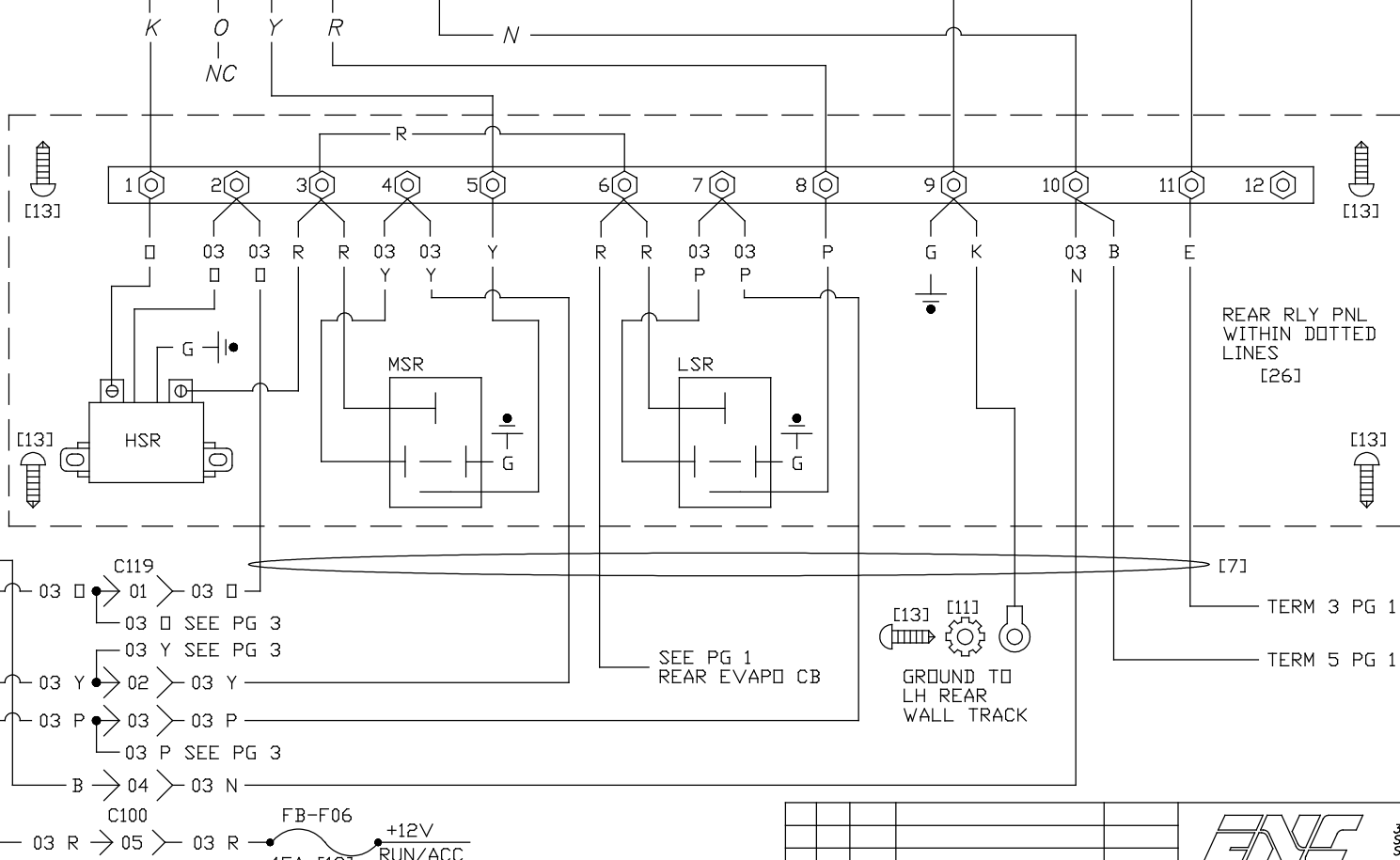
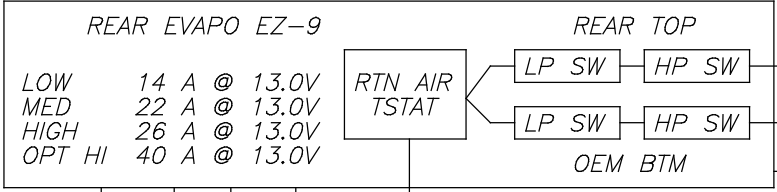


- NOTE:
1. [Y] WHERE Y REFERS TO THE B.O.M. ITEM NUMBER.
  2. ALL ELECTRICAL CHASSIS GROUND CONNECTIONS WILL USE STAR WASHERS.
  3. ALL EXTERIOR WIRING CONNECTIONS WILL BE COVERED WITH MASTIC LINED HEAT SHRINK TUBING.
  4. NAVISTAR A/C SWITCH - ACTIVATE DEM COMPRESSOR AND DASH BLOWER.
  5. ENC A/C SWITCH - ACTIVATE REAR AND FRONT BLOWERS, COMPRESSOR, AND BOTH CONDENSORS.
  6. NC-NO CONNECTION; FB-FUSE BLOCK; @-10 AWG WIRE



NEXT ASSY.: NONE				ELDORADO NATIONAL CO. A THOR INDUSTRIES COMPANY	
SUPERCEDES: NONE				304 AVENUE B SO. INDUSTRIAL AREA SALINA, KS. 67401	
DO NOT SCALE DRAWING				TITLE: A/C, AEN ACT 9333 MAX	
MARK PART NUMBER AND REVISION ON ALL PARTS				MATERIAL SPEC. SEE B.O.M.	
THIS DRAWING IS THE PROPERTY OF EL DORADO NATIONAL COMPANY, A THOR INDUSTRIES COMPANY AND IS NOT TO BE DUPLICATED OR USED IN ANY WAY DETRIMENTAL TO THEIR BEST INTEREST.		TOLERANCE UNLESS SPECIFIED		DRAWING INFORMATION	
		FRACTIONS ± 1/16		DRAWN: REED	
		DECIMALS .00 ± .06		DATE: 08/16/00	
		ANGLES ± 1 DEG.		SCALE: 1=4	
				PART NUMBER 0026988	
				PAGE 1 of 4	



- NOTE
- [Y] WHERE Y REFERS TO THE B.O.M. ITEM NUMBER.
  - ALL ELECTRICAL CHASSIS GROUND CONNECTIONS WILL USE STAR WASHERS.
  - ALL EXTERIOR WIRING CONNECTIONS WILL BE COVERED WITH MASTIC LINED HEAT SHRINK TUBING.
  - NC - NO CONNECTION

NEXT ASSY.: NONE

SUPERCEDES: NONE

DO NOT SCALE DRAWING

MARK PART NUMBER AND REVISION ON ALL PARTS

THIS DRAWING IS THE PROPERTY OF ELDORADO NATIONAL COMPANY, A THOR INDUSTRIES COMPANY AND IS NOT TO BE DUPLICATED OR USED IN ANY WAY DETRIMENTAL TO THEIR BEST INTEREST.

REV.	BY	DATE	DESCRIPTION	ER NUMBER
A	MLS	8/14/01	REF ITEMS (14, 27, 28, & 30) PARTS COME IN A/C KIT	06486
-	DWR	08/18/00	RELEASE TO PRODUCTION	05513
TOLERANCE UNLESS SPECIFIED			DRAWING INFORMATION	
FRACTIONS ± 1/16			DRAWN: REED	CKD.:
DECIMALS .00 ± .06			DATE: 08/16/00	SIZE: B
ANGLES ± 1 DEG.			SCALE: 1=4	WT.:

**ENC**

304 AVENUE B  
SO. INDUSTRIAL AREA  
SALINA, KS. 67401

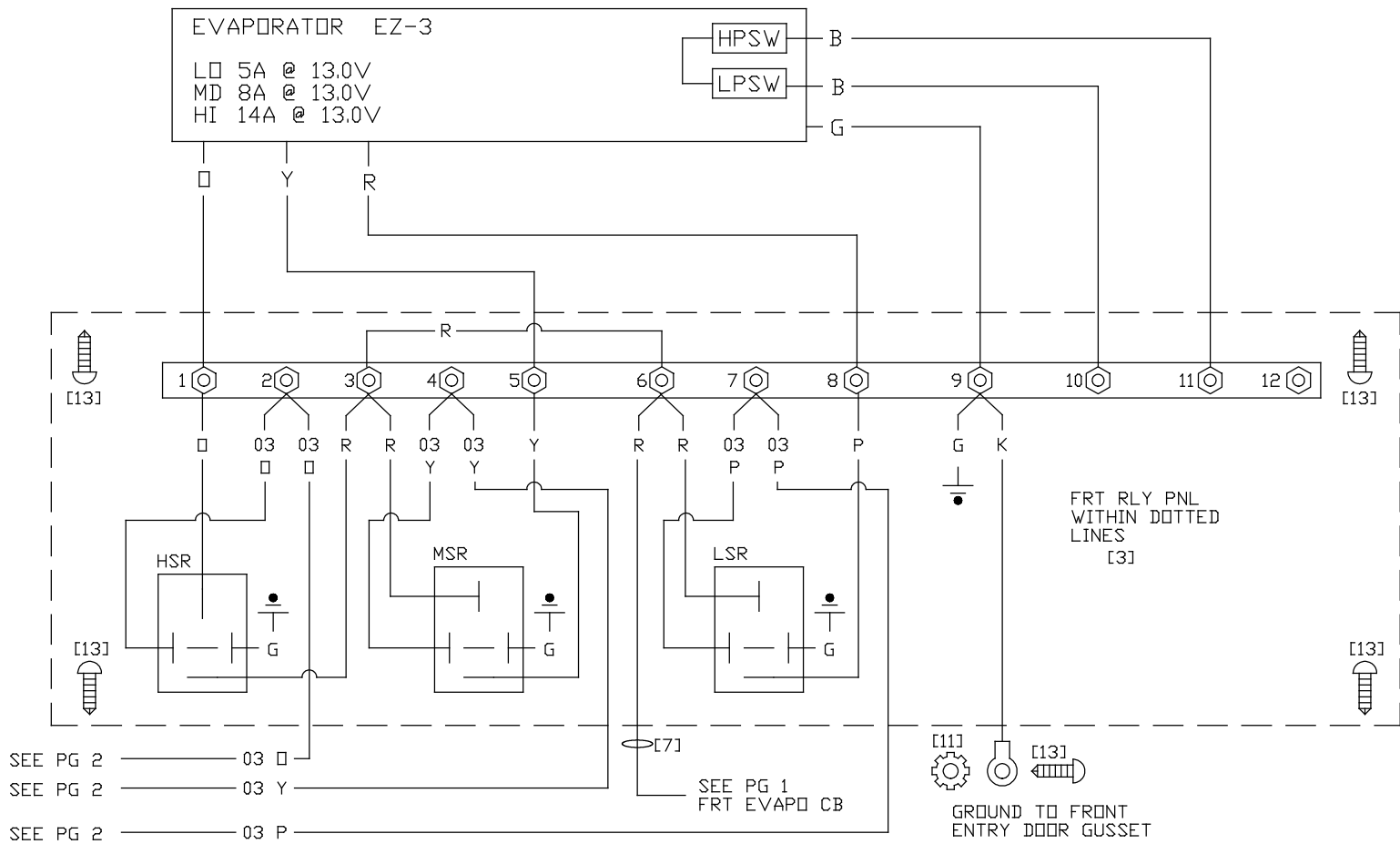
ELDORADO NATIONAL CO. A THOR INDUSTRIES COMPANY

TITLE:  
A/C, AEN ACT 9333 MAX

MAT'L SPEC.  
SEE B.O.M.

PART NUMBER  
0026988

PAGE  
2 OF 4



- NOTE
1. [Y] WHERE Y REFERS TO THE B.O.M. ITEM NUMBER.
  2. ALL ELECTRICAL CHASSIS GROUND CONNECTIONS WILL USE STAR WASHERS.
  3. ALL EXTERIOR WIRING CONNECTIONS WILL BE COVERED WITH MASTIC LINED HEAT SHRINK TUBING.
  4. NC - NO CONNECTION

NEXT ASSY.: NONE		REF ITEMS (14, 27, 29, & 30)		06486	
SUPERCEDES: NONE		PARTS COME IN A/C KIT		05513	
DO NOT SCALE DRAWING		RELEASE TO PRODUCTION		05513	
MARK PART NUMBER AND REVISION ON ALL PARTS		DESCRIPTION		ER NUMBER	
THIS DRAWING IS THE PROPERTY OF ELDORADO NATIONAL COMPANY, A THOR INDUSTRIES COMPANY AND IS NOT TO BE DUPLICATED OR USED IN ANY WAY DETRIMENTAL TO THEIR BEST INTEREST.		TOLERANCE UNLESS SPECIFIED		DRAWING INFORMATION	
		FRACTIONS ± 1/16		DRAWING: REEDED CKD.: 06486	
		DECIMALS .00 ± .06		DATE: 08/16/00 SIZE: B	
		ANGLES ± 1 DEG.		SCALE: 1=4 WT.: 0026988	



ELDORADO NATIONAL CO. A THOR INDUSTRIES COMPANY

TITLE:  
A/C, AEN ACT 9333 MAX

MAT'L SPEC.  
SEE B.O.M.

PART NUMBER  
0026988

PAGE  
3 of 4


NS

ITEM	QTY.	PART NO.	DESCRIPTION
31	2	62280	CONN, RING 10-12 AWG X 3/8 INS
32	4	119056	WASHER, 3/8 INT/EXT STAR
33	3.00	69085	WIRE, GXL 14 AWG GREEN G 3 @ 12.00"
34	1.00	69065	WIRE, GXL 14 AWG RED R 1 @ 12.00"
35	4	62161	CONN, RING 10-12 AWG X 1/4 INS
36	1.00	69095	WIRE, GXL 14 AWG BROWN 20N 1 @ 12.00"
37	4.00	69250	WIRE, GXL 10 AWG BLACK K 4 @ 12.00"
38			
39	1	0023593	A/C CONDENSOR CUTOUT, AE
40			

NS

ITEM	QTY.	PART NO.	DESCRIPTION
1	5	68467	TERM, AMP 14-16 AWG RELAY CONN
2	2	60927	BREAKER, 40A AUTORESET XMNT
3	1	0024465	PANEL, NAV EVAPO RELAY
4	1	61160	BREAKER, 50A AUTORESET CROSSMOUNT
5	4	62320	CONN, RING 14-16 AWG X #10 INS
6	8	62160	CONN, RING 10-12 AWG X #10 INS
7	1	0022725	HARNESS, AL/ALC/AT/ATC FRT & REAR EVAPOS
8	1	68450	BLOCK, TERM 12-POS 1-ROW #10
9	6	112927	NUT, #10-32 KEP PLTD HEX
10	2	116960	SCREW, TEK #8 X 3/4" PH PHIL
11	4	0001305	WASHER, #8 EXT STAR
12	1	0000612	BREAKER, 20A AUTORESET XMNT
13	18	116920	SCREW, TEK #8 X 1/2" PH PHIL
14	REF	120426	KNOB, ROTARY 3-SPEED SWITCH
15	3	69860	CONN, AMP RELAY SOCKET
16	3	68323	RELAY, SPDT WITH MOUNT
17	7	68468	TERM, AMP 10-12 AWG RELAY CONN
18	1	63069	FUSE, BLADE 15A
19	1	60940	BREAKER, 10A AUTORESET CROSSMOUNT
20	4.00	69850	FLEXLOOM, 1/4" SLIT 2 @ 24.00"
21	4.00	69285	WIRE, GXL 10 AWG GREEN G 2 @ 24.00"
22	70.00	69250	WIRE, GXL 10 AWG BLACK K 2 @ 420.00"
23	70.00	69850	FLEXLOOM, 1/4 SLIT 2 @ 420.00"
24	2.00	69095	WIRE, GXL 14 AWG BROWN 03N 2 @ 12.00"
25	1.00	69045	WIRE, GXL 14 AWG WHITE 25W 1 @ 12.00"
26	1	0024465-1	PANEL, HI AMP EVAPO RLY
27	REF	124860	SWITCH, ROTARY 3-SPEED
28	1	120425	SWITCH, CONNECTOR WITH HARNESS
29	REF	120427	SWITCH, THERMOSTAT
30	REF	120428	SWITCH, KNOB THERMOSTAT

NOTE  
1. NS - NOT SHOWN ON THIS DRAWING

										 304 AVENUE B 500 INDUSTRIAL AREA SALINA, KS. 67401			
NEXT ASSY.: NONE										ELDORADO NATIONAL CO. A THOR INDUSTRIES COMPANY			
SUPERCEDES: NONE										TITLE:			
DO NOT SCALE DRAWING										A/C, AEN ACT 9333 MAX			
MARK PART NUMBER AND REVISION ON ALL PARTS										MAT'L SPEC.			
THIS DRAWING IS THE PROPERTY OF ELDORADO NATIONAL COMPANY, A THOR INDUSTRIES COMPANY AND IS NOT TO BE DUPLICATED OR USED IN ANY WAY DETRIMENTAL TO THEIR BEST INTEREST.										SEE B.O.M.			
TOLERANCE UNLESS SPECIFIED FRACTIONS ± 1/16 DECIMALS .00 ± .06 ANGLES ± 1 DEG.				DRAWING INFORMATION DRAWN: FRED DATE: 08/16/00 SCALE: 1=4				CKD.: SIZE: B WT.:		PART NUMBER 0026988		PAGE 4 of 4	