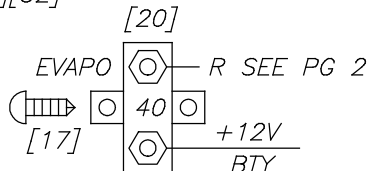
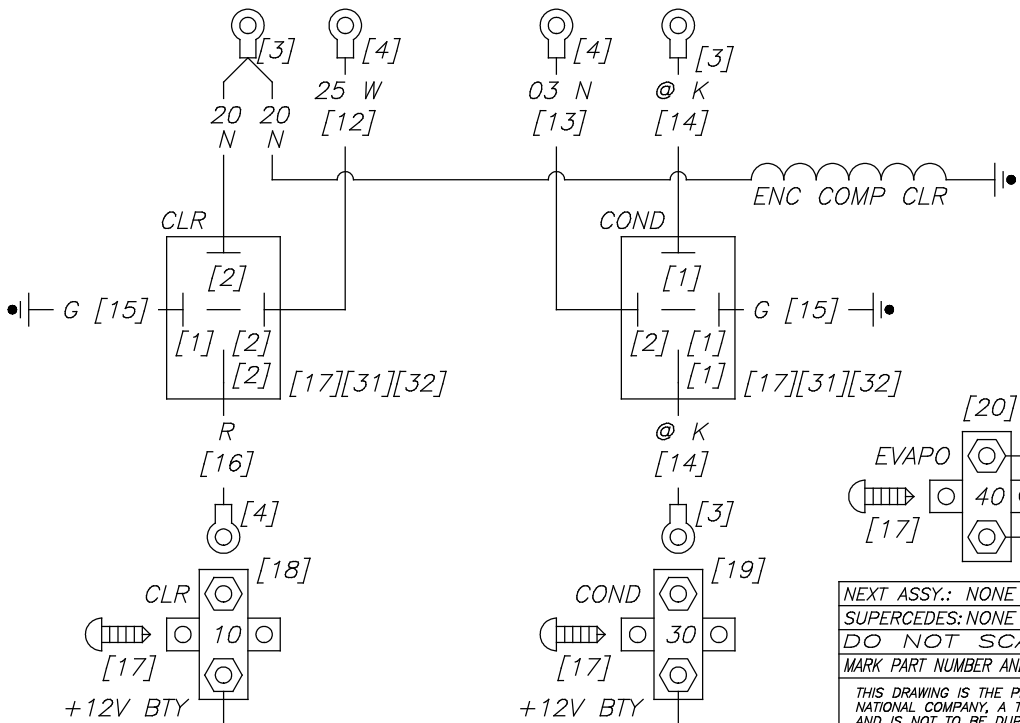


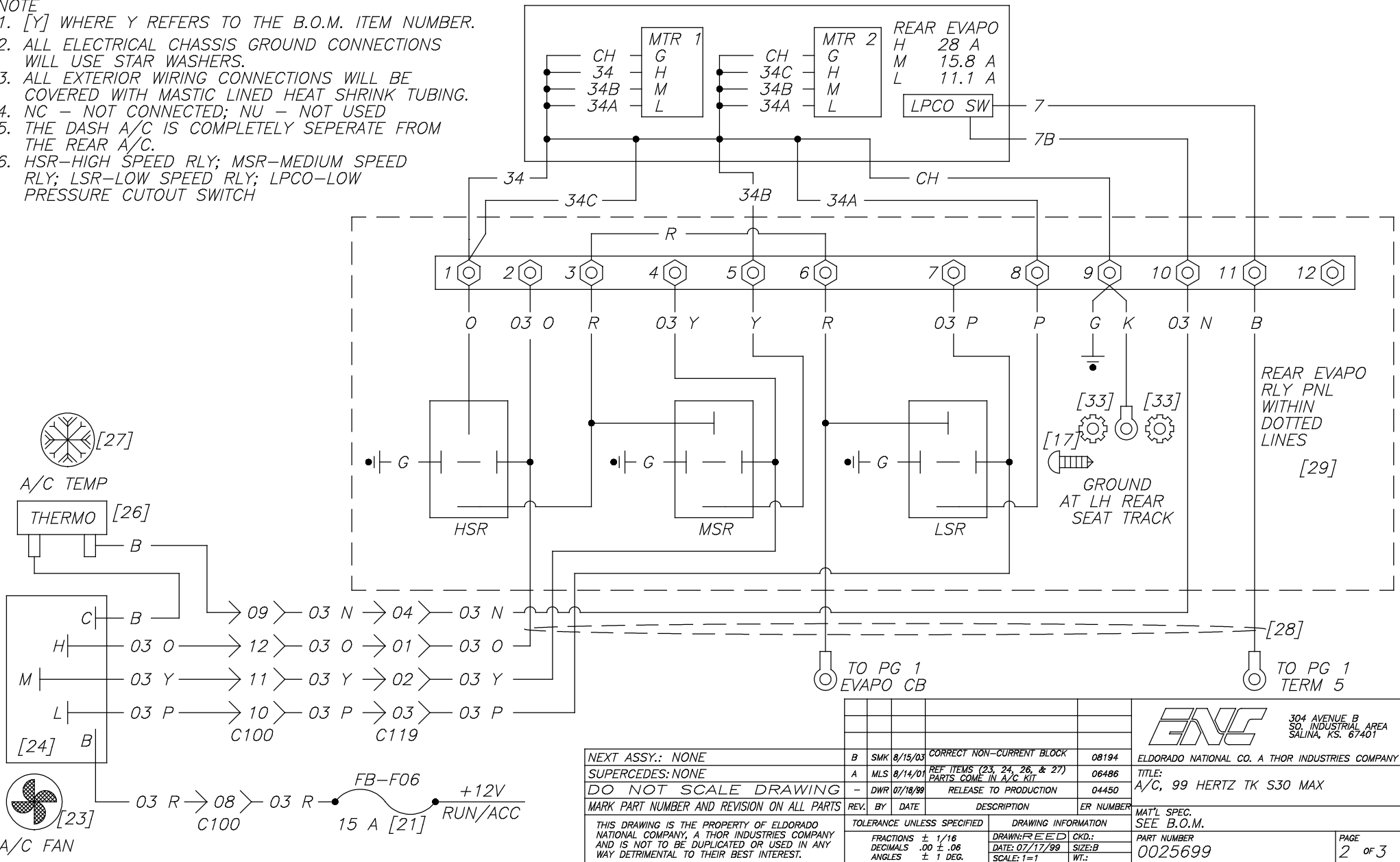
- NOTE**
1. [Y] WHERE Y REFERS TO THE B.O.M. ITEM NUMBER.
  2. ALL ELECTRICAL CHASSIS GROUND CONNECTIONS WILL USE STAR WASHERS.
  3. ALL EXTERIOR WIRING CONNECTIONS WILL BE COVERED WITH MASTIC LINED HEAT SHRINK TUBING.
  4. NC - NOT CONNECTED; NU - NOT USED
  5. THE DASH A/C IS COMPLETELY SEPARATE FROM THE REAR A/C.
  6. @ - 10 AWG WIRE; COND-CONDENSOR; CLR-CLUTCH; MTR-MOTOR; HPCO-HIGH PRESSURE CUTOUT SWITCH; EVAPO-EVAPORATOR; COMP-COMPRESSOR




NEXT ASSY.: NONE		B	SMK	8/15/03	CORRECT NON-CURRENT BLOCK	08194	ELDORADO NATIONAL CO. A THOR INDUSTRIES COMPANY
SUPERCEDES: NONE		A	MLS	8/14/01	REF ITEMS (23, 24, 26, & 27) PARTS COME IN A/C KIT	06486	
DO NOT SCALE DRAWING		-	DWR	07/18/99	RELEASE TO PRODUCTION	04450	TITLE: A/C, 99 HERTZ TK S30 MAX
MARK PART NUMBER AND REVISION ON ALL PARTS		REV.	BY	DATE	DESCRIPTION	ER NUMBER	MAT'L SPEC. SEE B.O.M.
THIS DRAWING IS THE PROPERTY OF ELDORADO NATIONAL COMPANY, A THOR INDUSTRIES COMPANY AND IS NOT TO BE DUPLICATED OR USED IN ANY WAY DETRIMENTAL TO THEIR BEST INTEREST.		TOLERANCE UNLESS SPECIFIED			DRAWING INFORMATION		PART NUMBER 0025699
		FRACTIONS ± 1/16			DRAWN: REED	CKD.:	
		DECIMALS .00 ± .06			DATE: 07/17/99	SIZE: B	
		ANGLES ± 1 DEG.			SCALE: 1=1	WT.:	PAGE 1 OF 3



- NOTE
1. [Y] WHERE Y REFERS TO THE B.O.M. ITEM NUMBER.
  2. ALL ELECTRICAL CHASSIS GROUND CONNECTIONS WILL USE STAR WASHERS.
  3. ALL EXTERIOR WIRING CONNECTIONS WILL BE COVERED WITH MASTIC LINED HEAT SHRINK TUBING.
  4. NC - NOT CONNECTED; NU - NOT USED
  5. THE DASH A/C IS COMPLETELY SEPERATE FROM THE REAR A/C.
  6. HSR-HIGH SPEED RLY; MSR-MEDIUM SPEED RLY; LSR-LOW SPEED RLY; LPCO-LOW PRESSURE CUTOUT SWITCH



NEXT ASSY.: NONE		B	SMK	8/15/03	CORRECT NON-CURRENT BLOCK	08194	 304 AVENUE B 50 INDUSTRIAL AREA SALINA, KS. 67401  ELDORADO NATIONAL CO. A THOR INDUSTRIES COMPANY
SUPERCEDES: NONE		A	MLS	8/14/01	REF ITEMS (23, 24, 26, & 27) PARTS COME IN A/C KIT	06486	
DO NOT SCALE DRAWING		-	DWR	07/18/99	RELEASE TO PRODUCTION	04450	
MARK PART NUMBER AND REVISION ON ALL PARTS		REV.	BY	DATE	DESCRIPTION	ER NUMBER	MAT'L SPEC. SEE B.O.M.
THIS DRAWING IS THE PROPERTY OF ELDORADO NATIONAL COMPANY, A THOR INDUSTRIES COMPANY AND IS NOT TO BE DUPLICATED OR USED IN ANY WAY DETRIMENTAL TO THEIR BEST INTEREST.		TOLERANCE UNLESS SPECIFIED			DRAWING INFORMATION		PART NUMBER 0025699
		FRACTIONS ± 1/16			DRAWN: REED CKD.:		
		DECIMALS .00 ± .06			DATE: 07/17/99 SIZE: B		
		ANGLES ± 1 DEG.			SCALE: 1=1		WT.:
						PAGE 2 of 3	